

Barn Door Hardware

INSTALLATION MANUAL

In case of questions or missing parts, please contact

 Dooraftersale@gmail.com



2 PERSON
ASSEMBLY

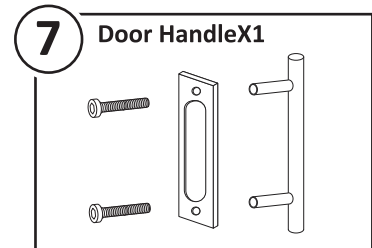
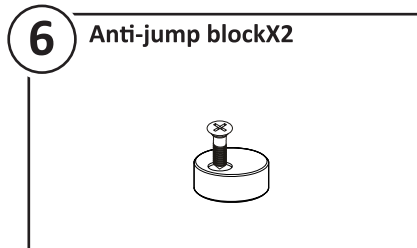
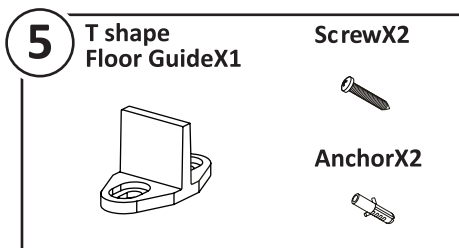
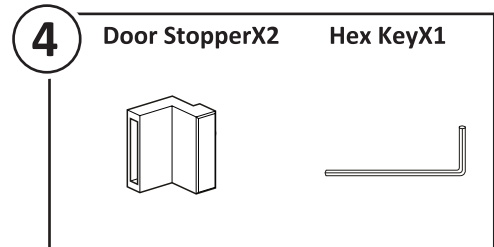
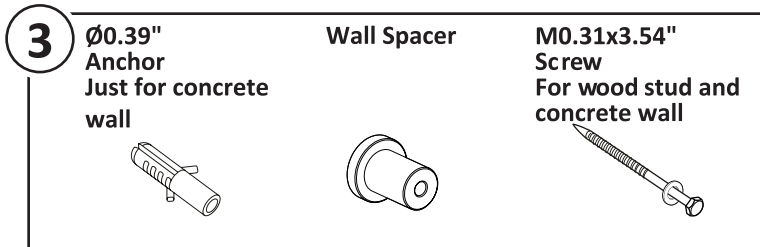
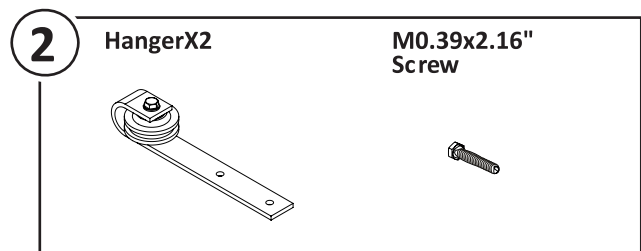
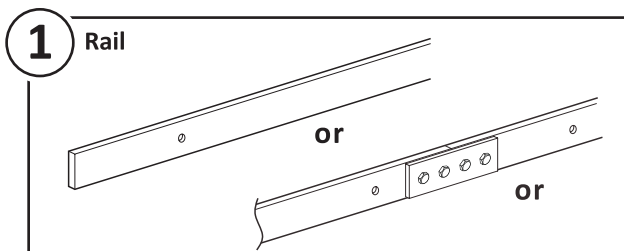


UP TO 30 MIN.
ASSEMBLY


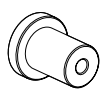
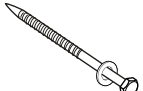


Scan Here For Latest
Version (01-Installation Guide)

Hardware Included



Number of Parts in Different Sizes

			
Size / Part Name	Ø0.39" Anchor	Wall Spacer	M0.31x3.54" Screw
5.5FT	4	4	4
6FT	5	5	5
6.6FT	5	5	5
7FT	5	5	5
8FT	6	6	6

Tools required



Speed Square



Pencil



Phillips
Screwdriver



Tape



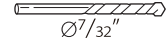
Wrench



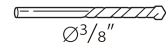
Level



Drill



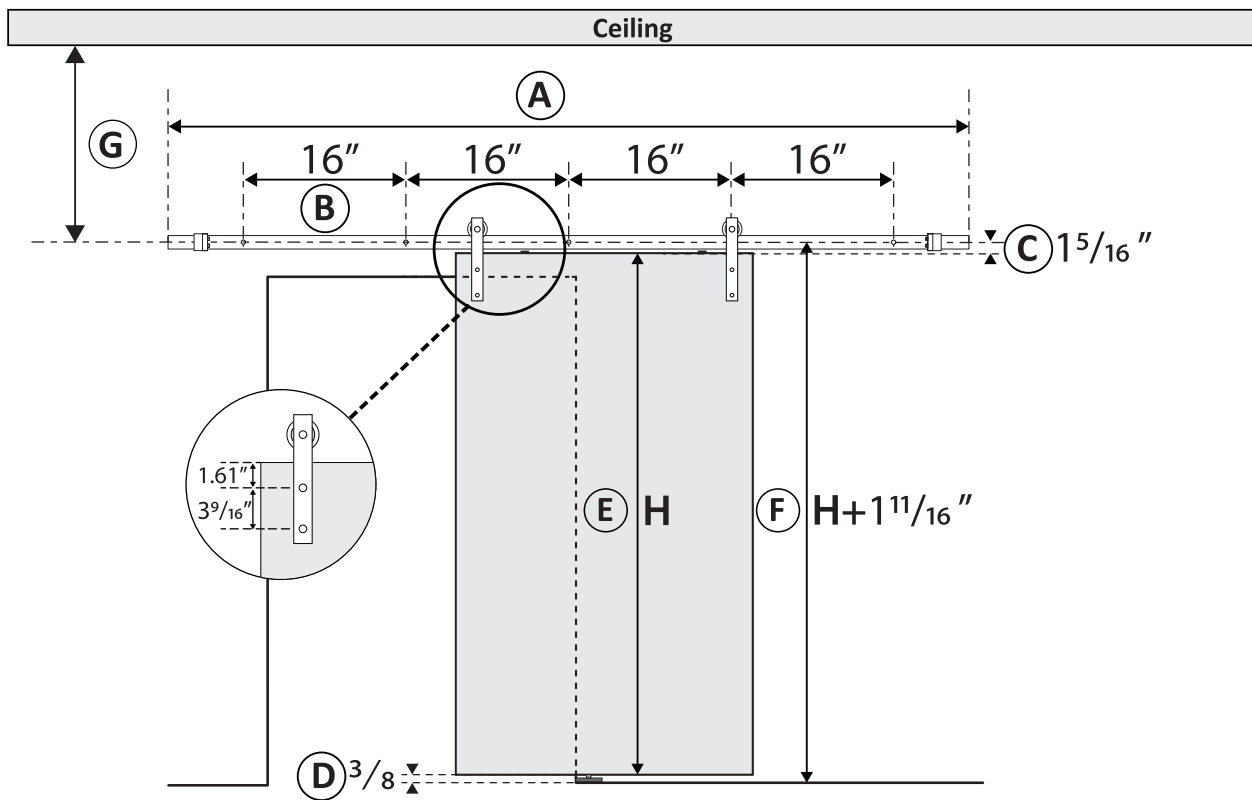
Ø7/32"



Ø3/8"

Drill Bit

Measure Before You Start



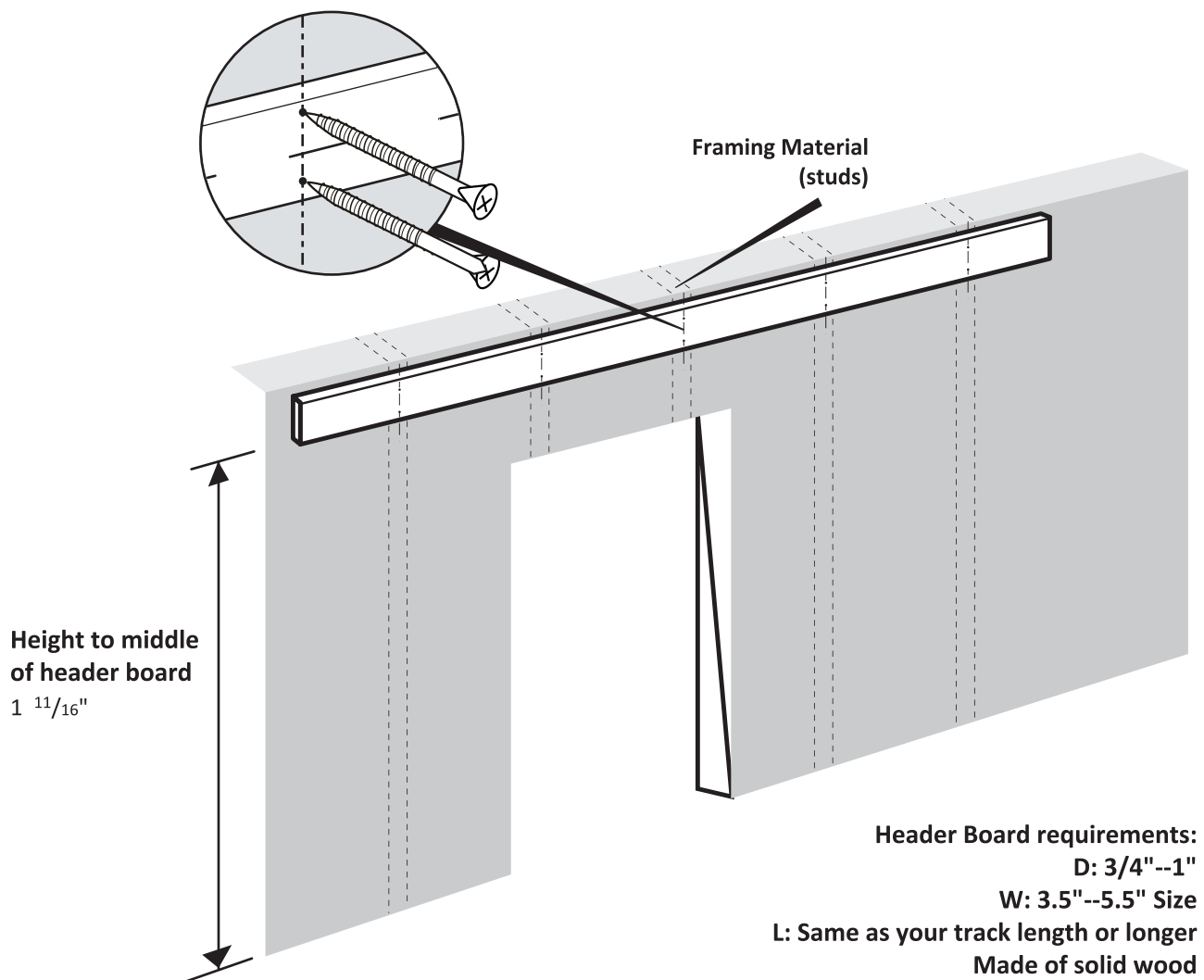
- A** Overall rail length is 5.5ft/6ft/6.6ft/7ft.
- B** The gap between each pre-drilled hole is 16".
- C** Distance from door top side to holes on the wall is $1 \frac{5}{16}$ ".
- D** Distance from the bottom of the door to the floor is $\frac{3}{8}$ ".
- E** Door height is H.
- F** The height of holes on the wall is $H + 1 \frac{11}{16}$ " (Measuring up from the highest point of the floor).
- G** Minimum distance from the rail hole to the ceiling is 5".

Important Notes

It is very important to determine whether you need to install a Header Board before you install the track.

IF you meet the following situations, we highly recommend you using a Header Board.

- IF your wall studs are not 16" on center which won't line up with our rail (our rail comes with pre-drilled holes every 16" on center)
- IF your wall type is non-concrete wall, drywall or other wall type (as this may not support the weight of the track and mounted door)
- IF there is a doorway trim



Attention: Header Board & the screws to install header board are not included.

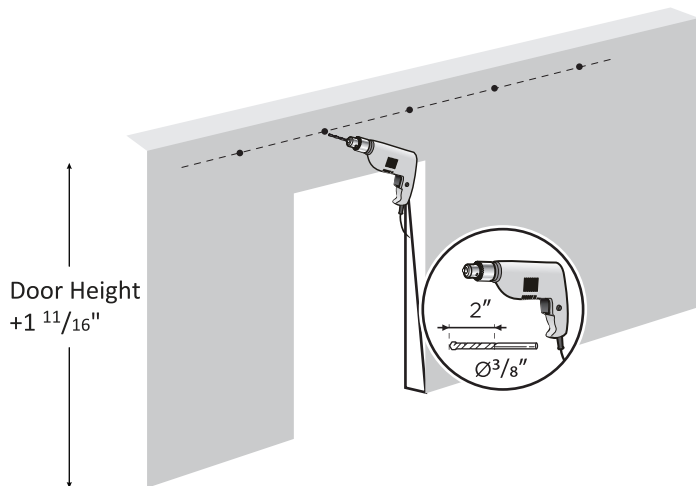
Track Installation

Step-1

Drill the marked holes with drill bits. Notice: The hole sizes of the 2 walls are different.

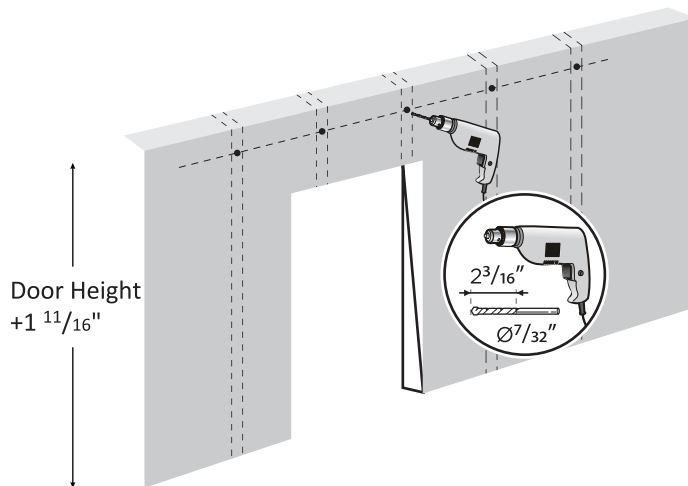
A Concrete Wall

Drill the holes with $\frac{3}{8}$ " drill bit



B Drywall & Other Wall Type

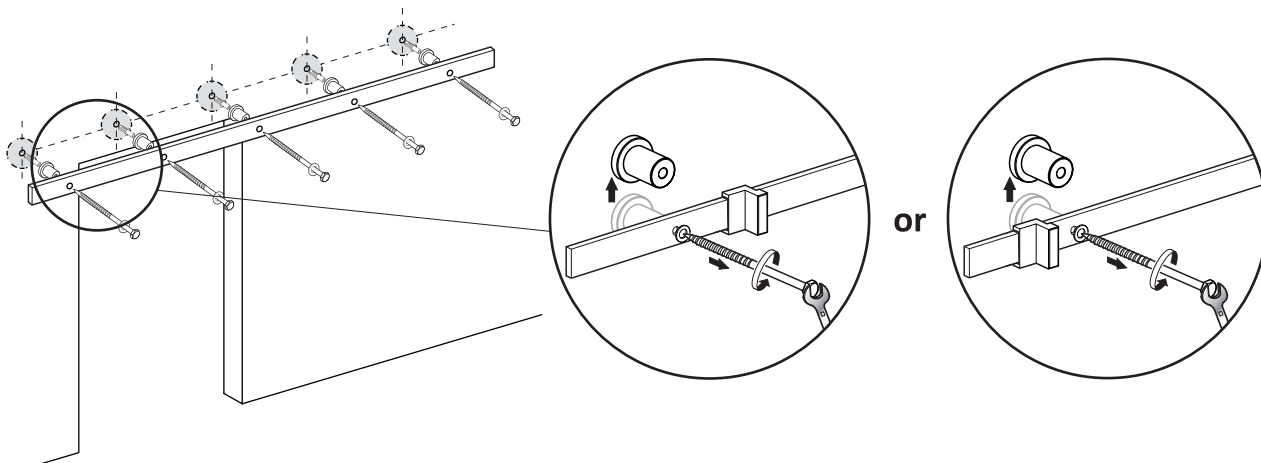
Drill the pilot holes directly with the drill bit which is smaller than $\frac{7}{32}$ "



Step-2

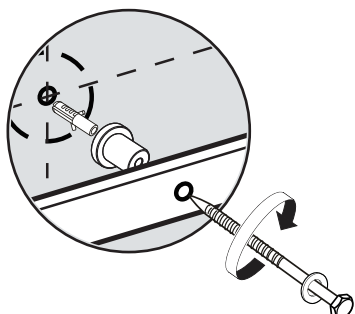
Depending on where you would like your barn door to stop, you can choose to place door stopper inside or outside the last wall spacer for both ends

We provide 2 kinds of screws for you to install rail onto concrete wall or drywall.



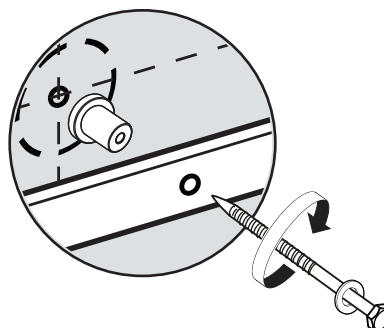
A Concrete wall Installation.

Install the anchor to holes on the concrete wall first, then insert lag bolt to wall spacer and anchor.



B Drywall Installation.

Insert the lag bolt to wall spacer and holes directly.

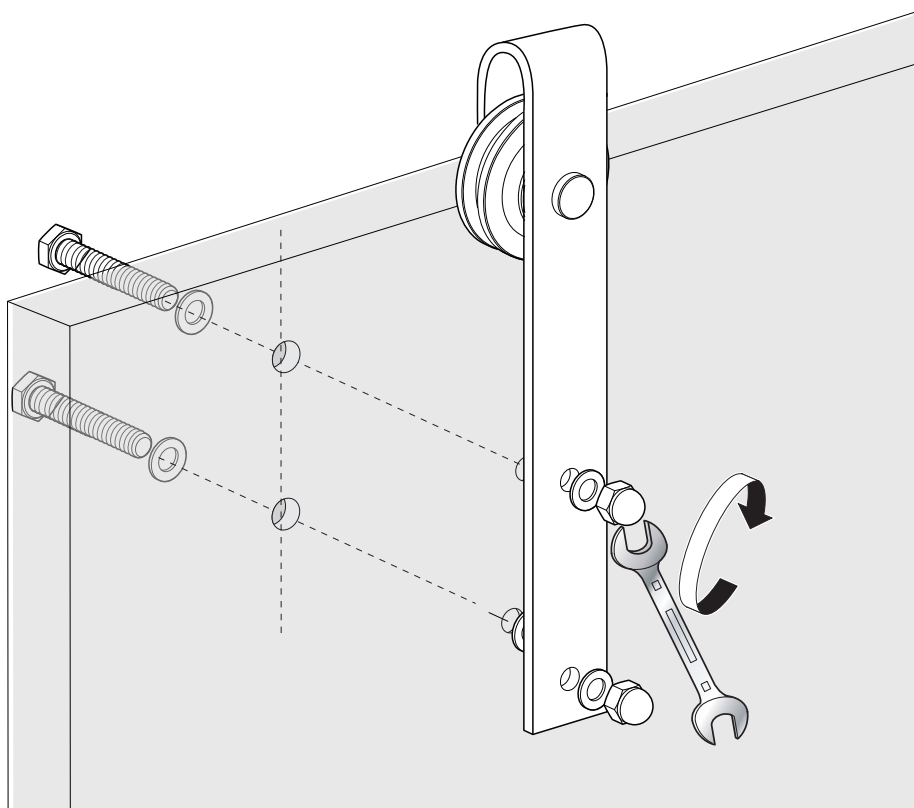


Door Preparation

Step-3

Our doors are pre-drilled

Install hangers on the top side of the door using door lag bolts according to the pictures below. Make sure the door lag bolts are located in the middle line of the door top side.

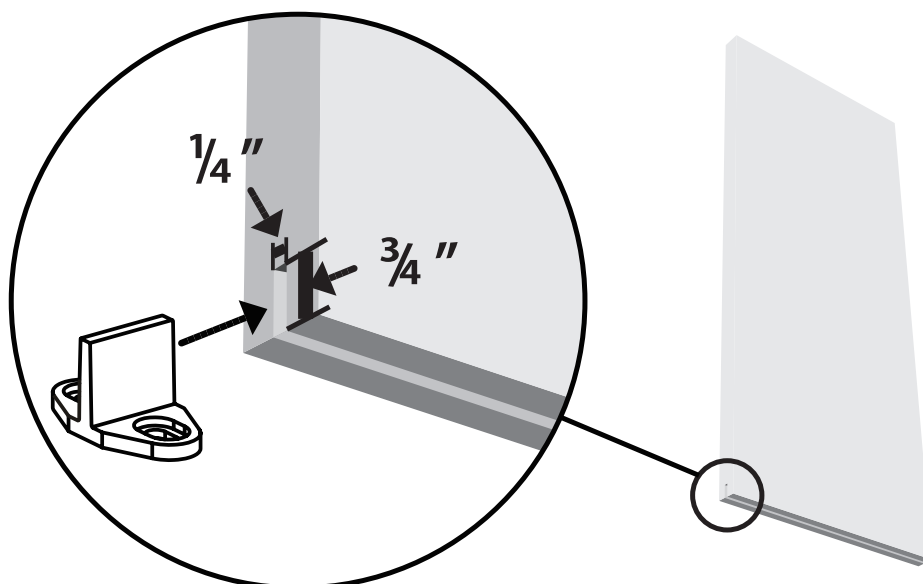


Step-4

Use router or circular saw to create a kerf at bottom of the door, along the center to allow the tip of the T-shaped floor guide to fit in between.

The floor guide is used to keep your door stable and prevent the door bottom swinging back and forth when you slide it open and closed.

If you purchase barn door from us, our door is already cut in the bottom and you can skip this step.



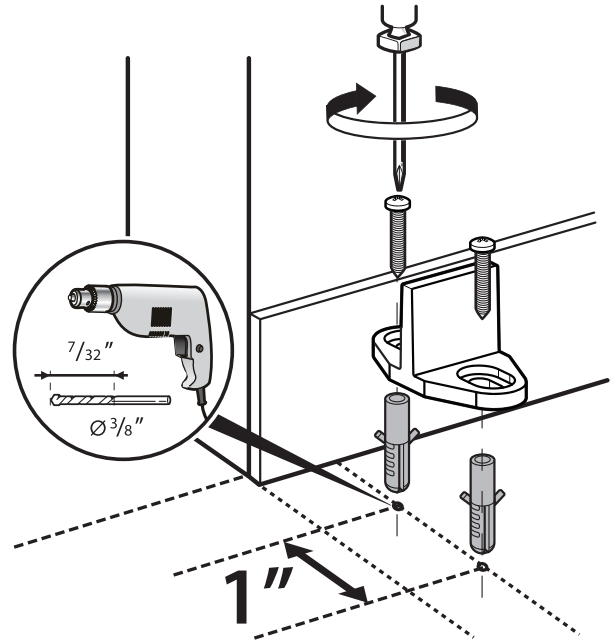
Hang Your Door

Step-5

Install the floor guide.

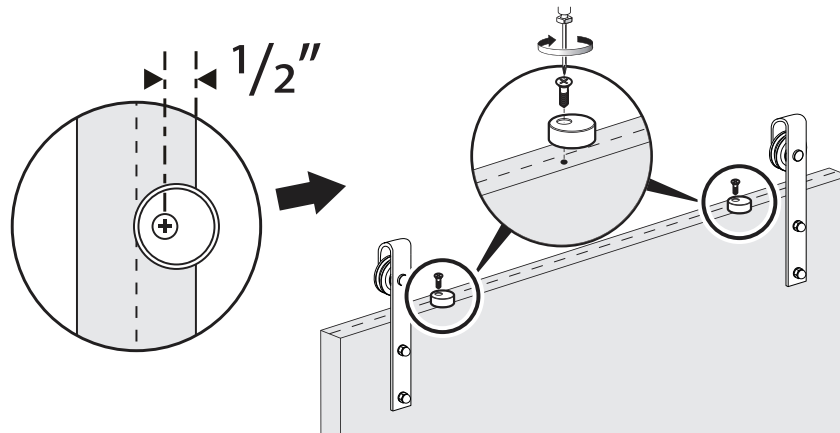
a. Put the floor guide on the floor first to a suitable position, sliding the door so that the tip of the floor guide can work well in the slot of the bottom of the door. And then mark 2 holes of the floor guide.

b. Use drill bit to drill holes on the floor where the mark is, and then install the floor guide.



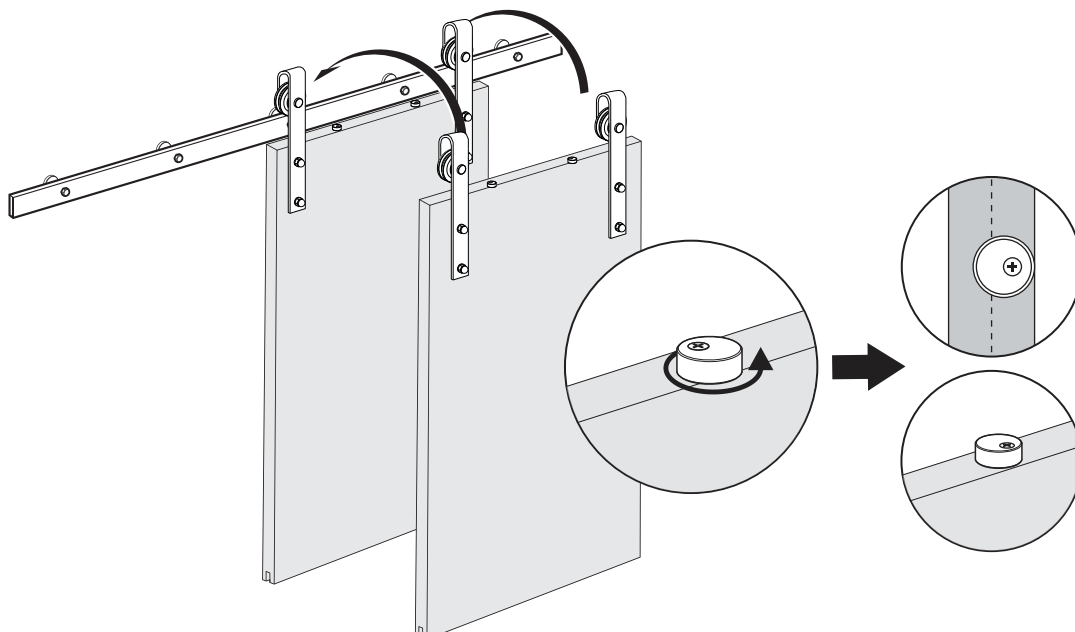
Step-6

The anti-jump blocks are used to protect the door from touching the rail when sliding the door. You need to drill holes on the door top side, please drill the holes 1/2" away from the edge of the door. Then install the anti-jump blocks on the door.



Step-7

Hang the door over the track and rotate the anti-jump blocks 180°



Install the Handle

Step-8

Predrill the holes for the door handle.

The distance of hole center is 4.72" (120mm). Then install the handle with screws.

