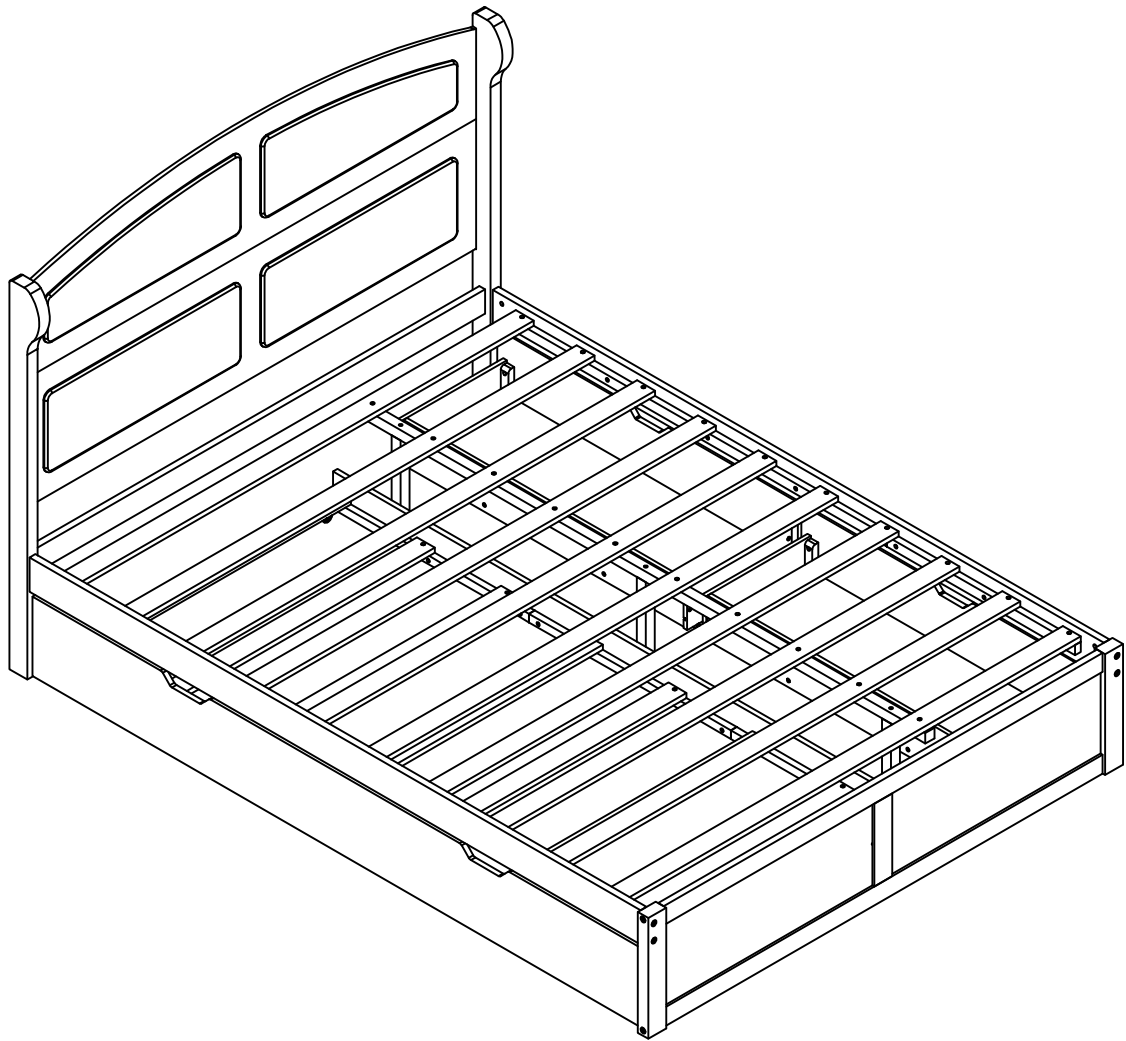
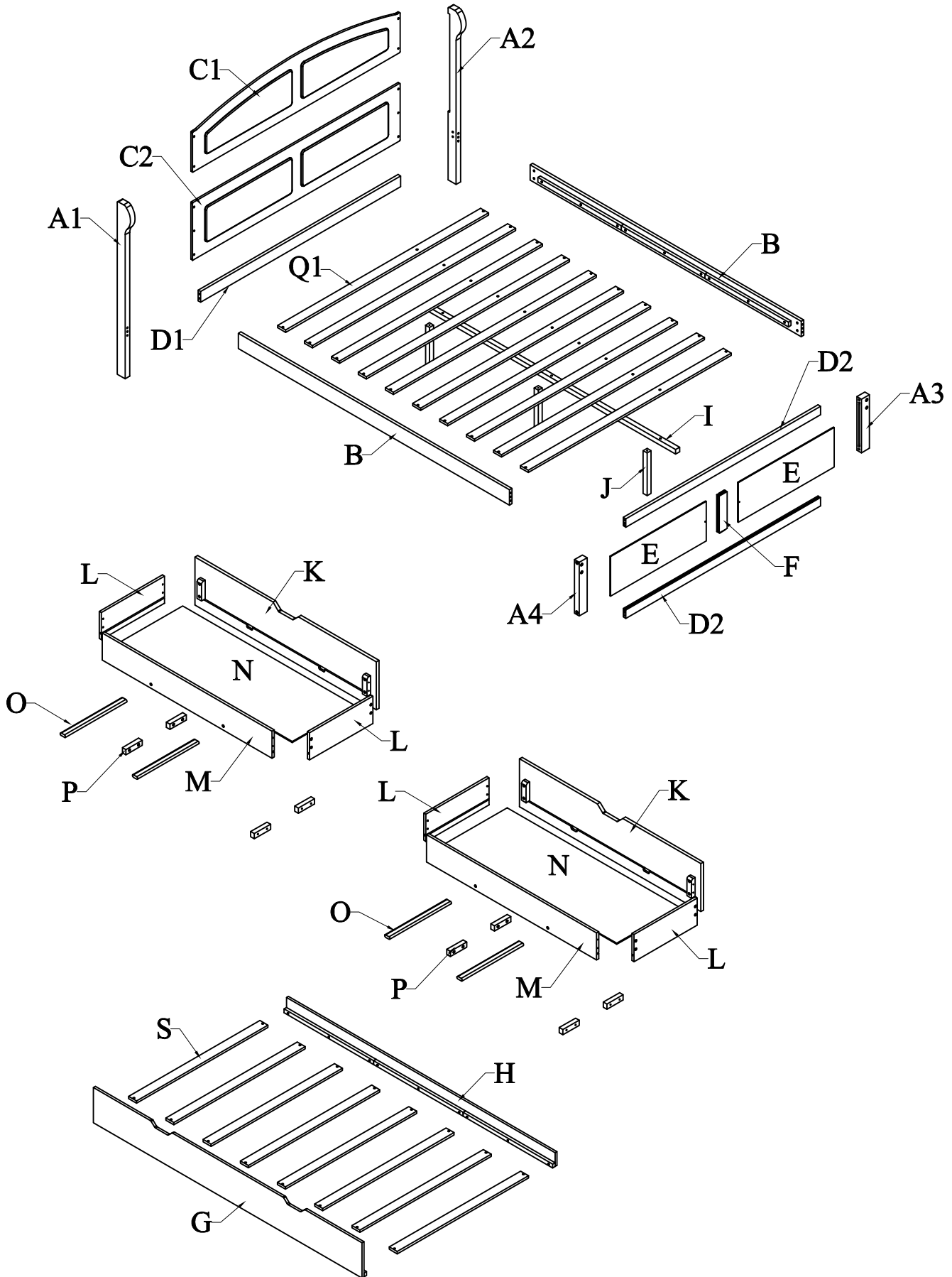


ASSEMBLY INSTRUCTIONS

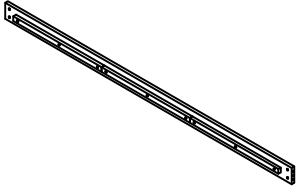


DETAIL VIEW



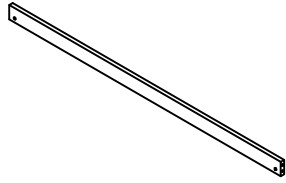
BOX 1:

B



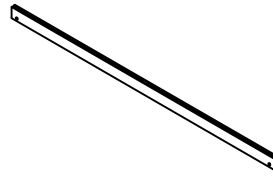
Side rail (2pcs)

D1



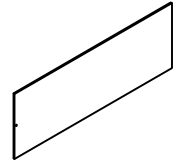
Horizontal rail - front (1pc)

D2



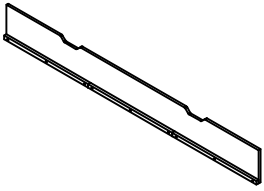
Horizontal rail - back (2pcs)

E



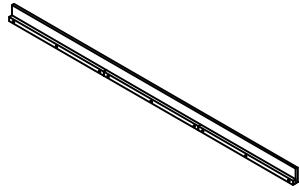
Front panel (2pcs)

G



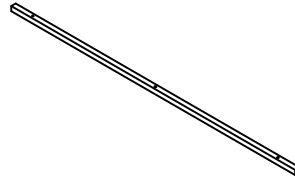
Front - trundle (1pc)

H



Back - trundle (1pc)

I



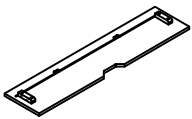
Support slats (1pc)

J



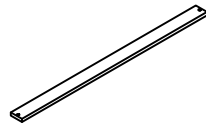
Extra legs (3pcs)

K



Front - drawers (2pcs)

S



Slats - short (8pcs)

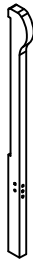
BOX 2:

A1



Front leg - left (1pc)

A2



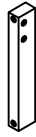
Back leg - left (1pc)

A3



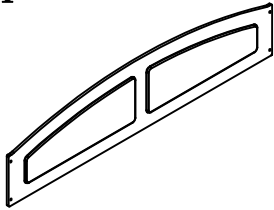
Back leg - right (1pc)

A4



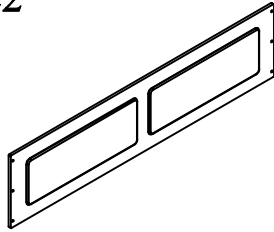
Front leg - right (1pc)

C1



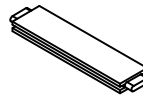
Headboard panel - top (1pc)

C2



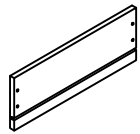
Headboard panel - bottom (1pc)

F



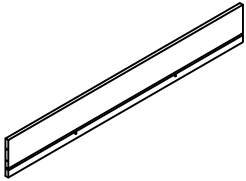
Vertical rail (1pc)

L



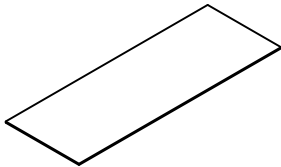
Side drawers (4pcs)

M



Back drawers (2pcs)

N



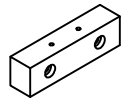
Bottom drawers (2pcs)

O



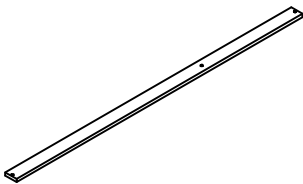
Support drawers (4pcs)

P



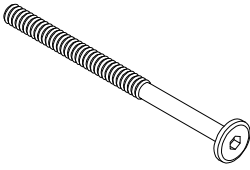
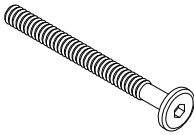

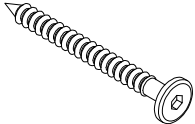

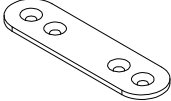


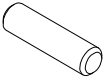
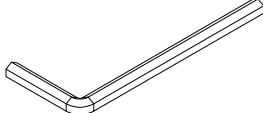
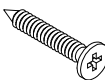
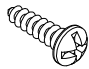

Support wheel (8pcs)

Q1

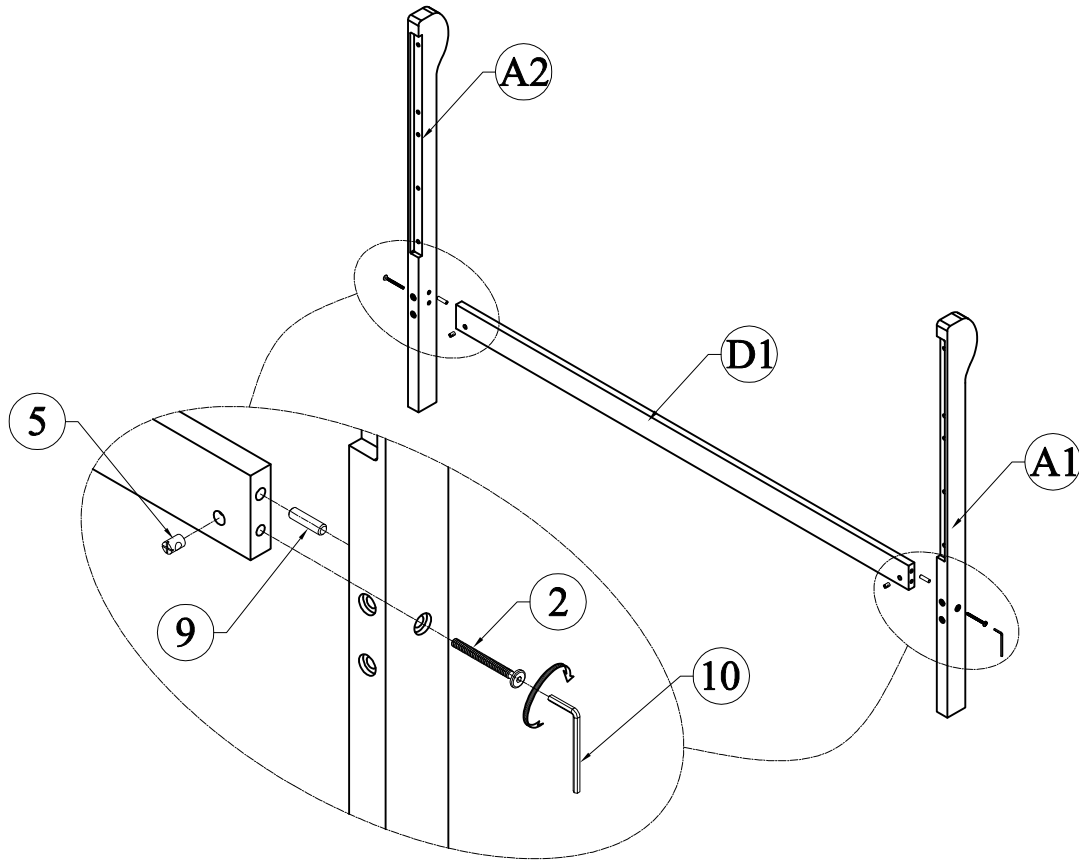


Slats - long (10pcs)

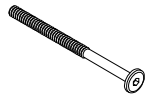
HARDWARE LIST:

<p>1</p>  <p>Hex - Head bolts Ø1/4" * 100- 8pcs</p>	<p>2</p>  <p>Hex - Head bolts Ø1/4" * 80- 6pcs</p>	<p>3</p>  <p>Hex - Head bolts Ø1/4" * 35- 10pcs</p>	<p>4</p>  <p>Hexagonal bolts catch wood Ø6 * 70 - 3pcs</p>
<p>5</p>  <p>Horizontal - Hold bolts Ø1/4" - 14pcs</p>	<p>6</p>  <p>F - Bracket - 3pcs</p>	<p>7</p>  <p>L - Bracket - 4pcs</p>	<p>8</p>  <p>Wheel Ø8 * 30 - 12pcs</p>
<p>9</p>  <p>Wood dowel Ø8 * 30 - 8pcs</p>	<p>10</p>  <p>Allen key K4 - 1pc</p>	<p>11</p>  <p>Wood crews M4 * 25 - 82pcs</p>	<p>12</p>  <p>Round Wood crews M3.5 * 15 - 32pcs</p>
<p>13</p>  <p>Wood crews M3.5 * 10 - 12pcs</p>			

STEP 1



2



Hex - Head bolts
Ø1/4" * 80- 2pcs

5



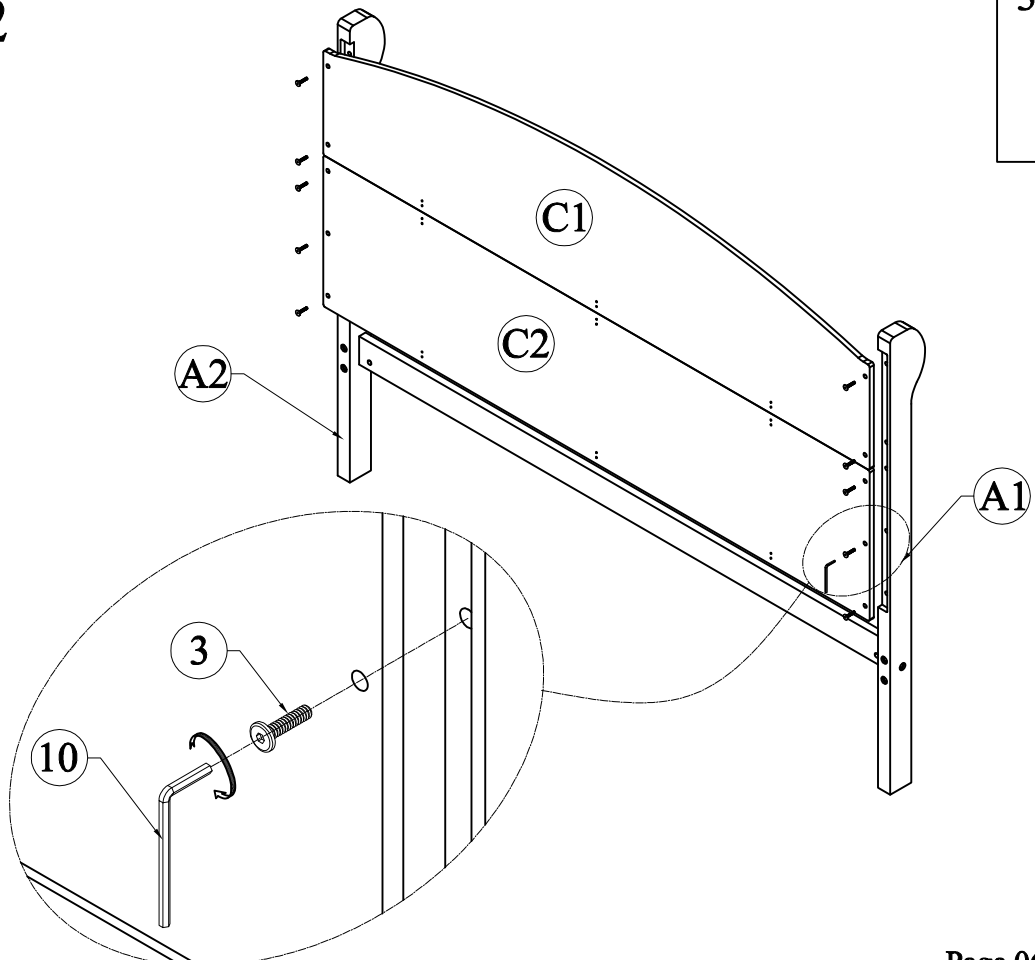
Horizontal - Hold bolts
Ø1/4" - 2pcs

9



Wood dowel
Ø8 * 30 - 2pcs

STEP 2

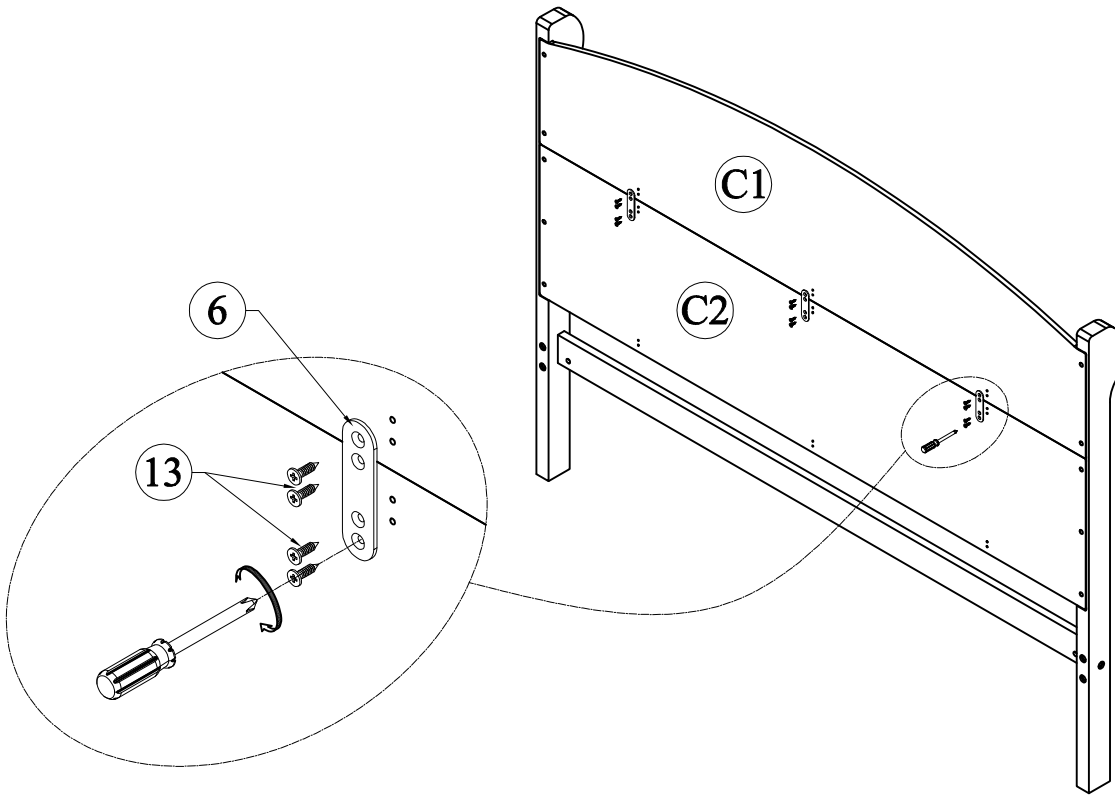


3

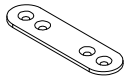


Hex - Head bolts
Ø1/4" * 35- 10pcs

STEP 3



6



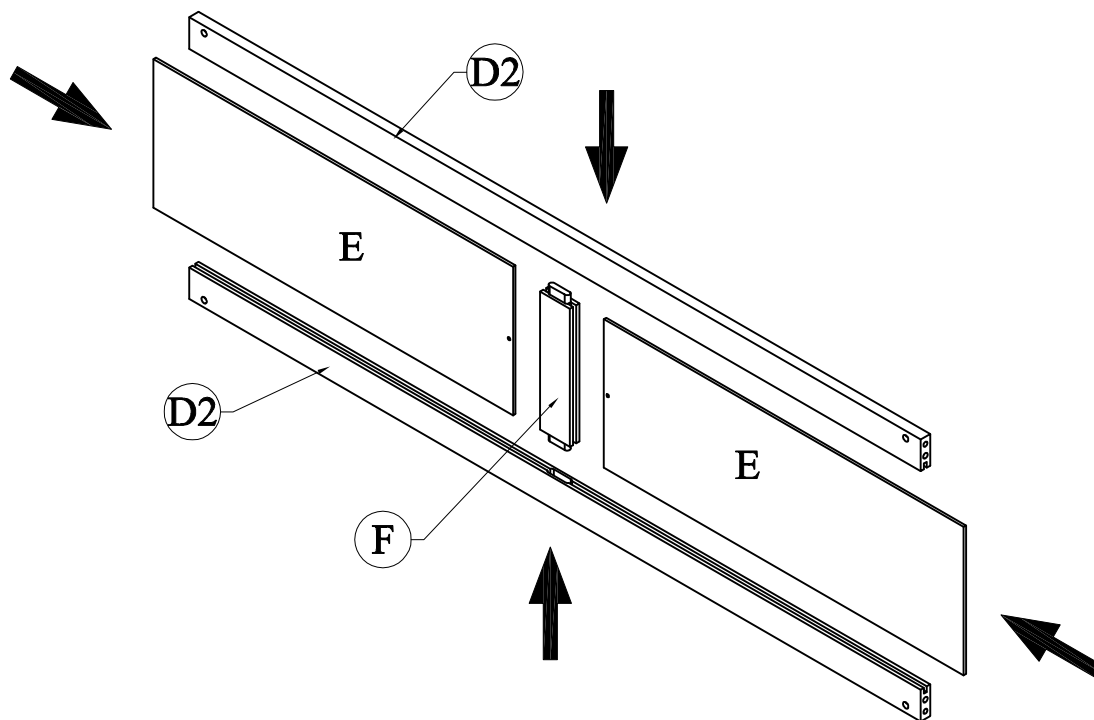
F - Bracket - 3pcs

13

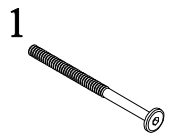
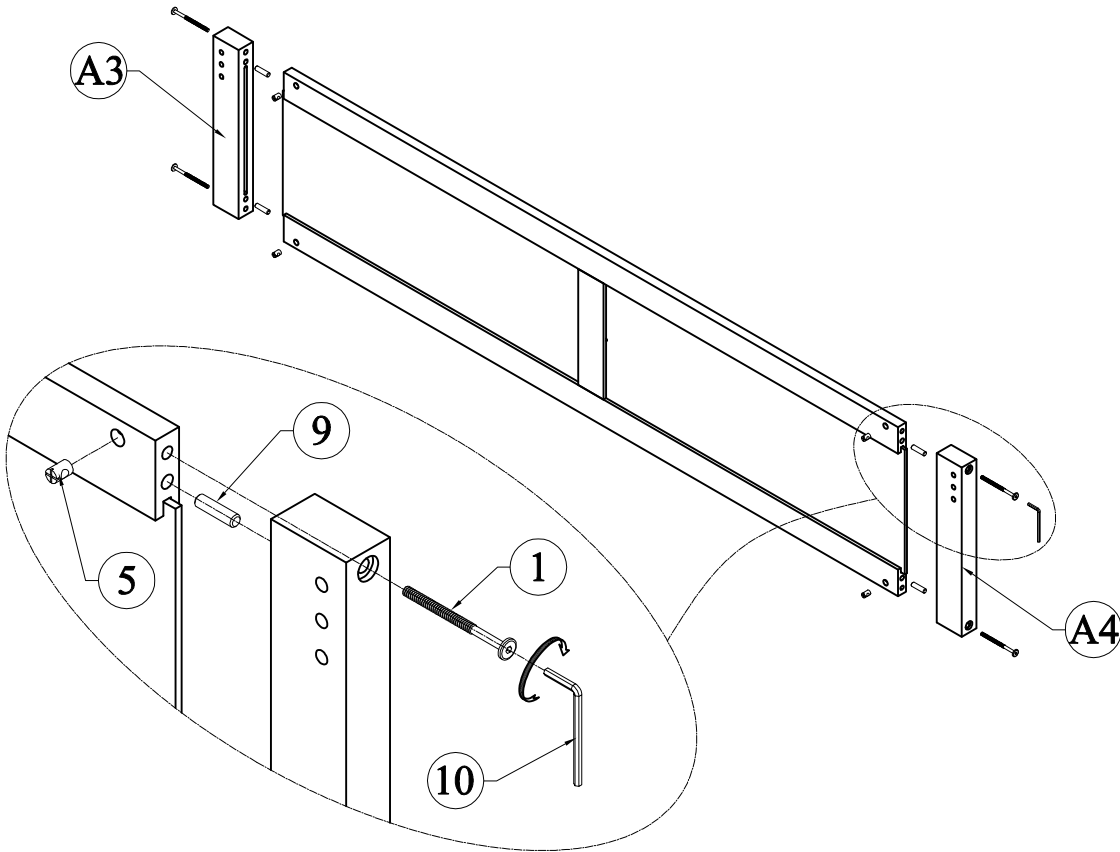


Wood crews
M3.5 * 10 - 12pcs

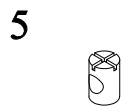
STEP 4



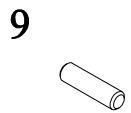
STEP 5



Hex - Head bolts
Ø1/4" * 100- 4pcs

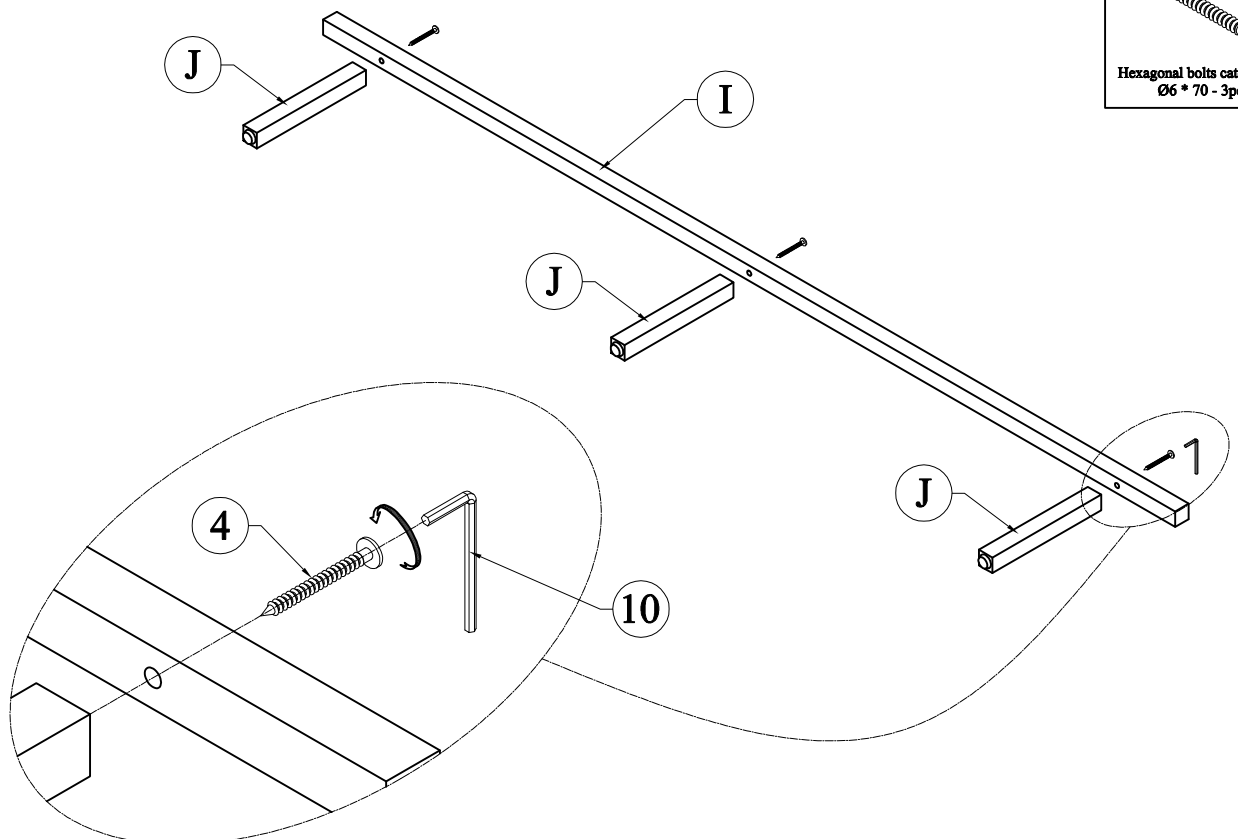


Horizontal - Hold bolts
Ø1/4" - 4pcs



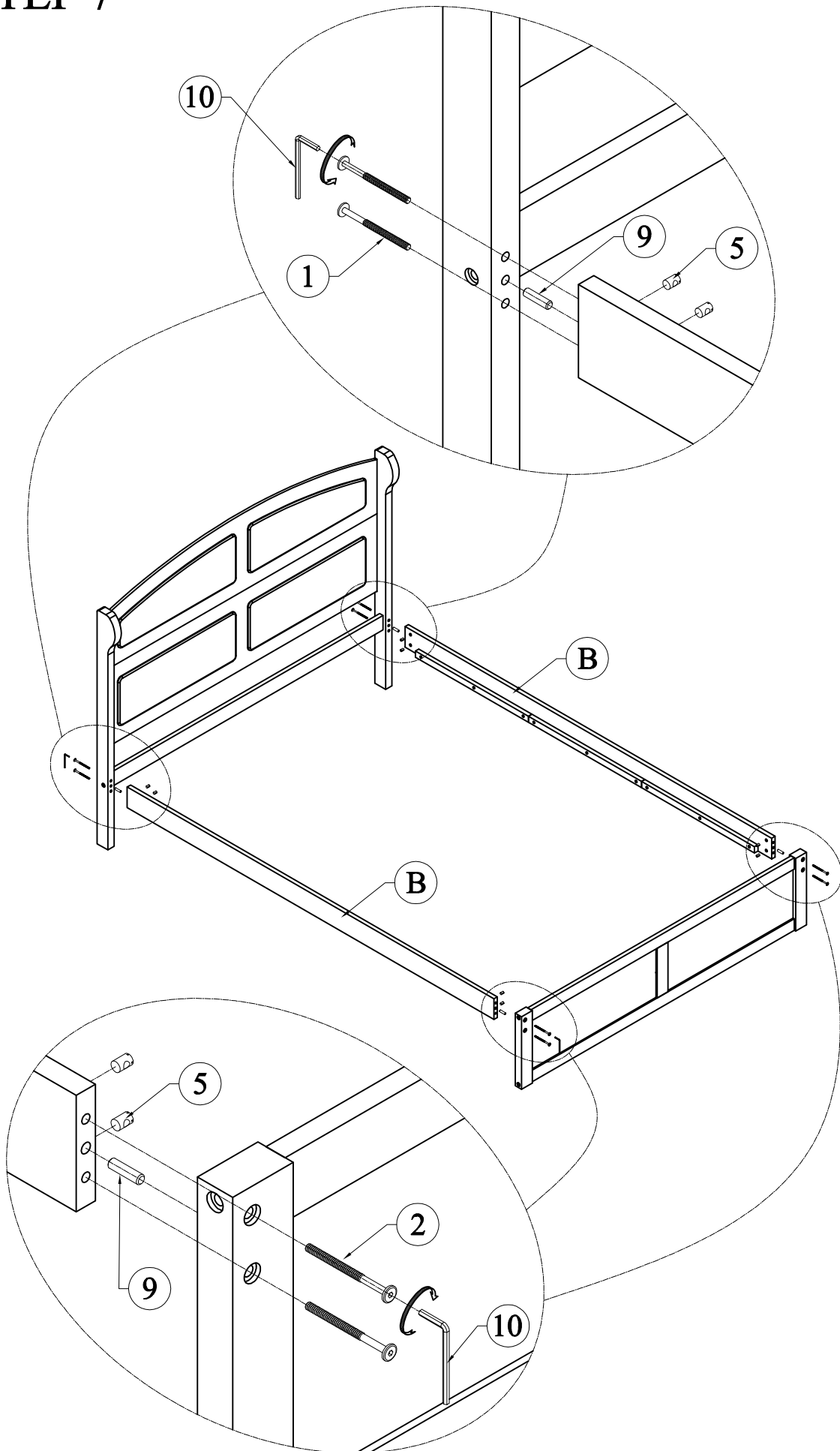
Wood dowel
Ø8 * 30 - 4pcs




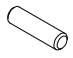
STEP 6



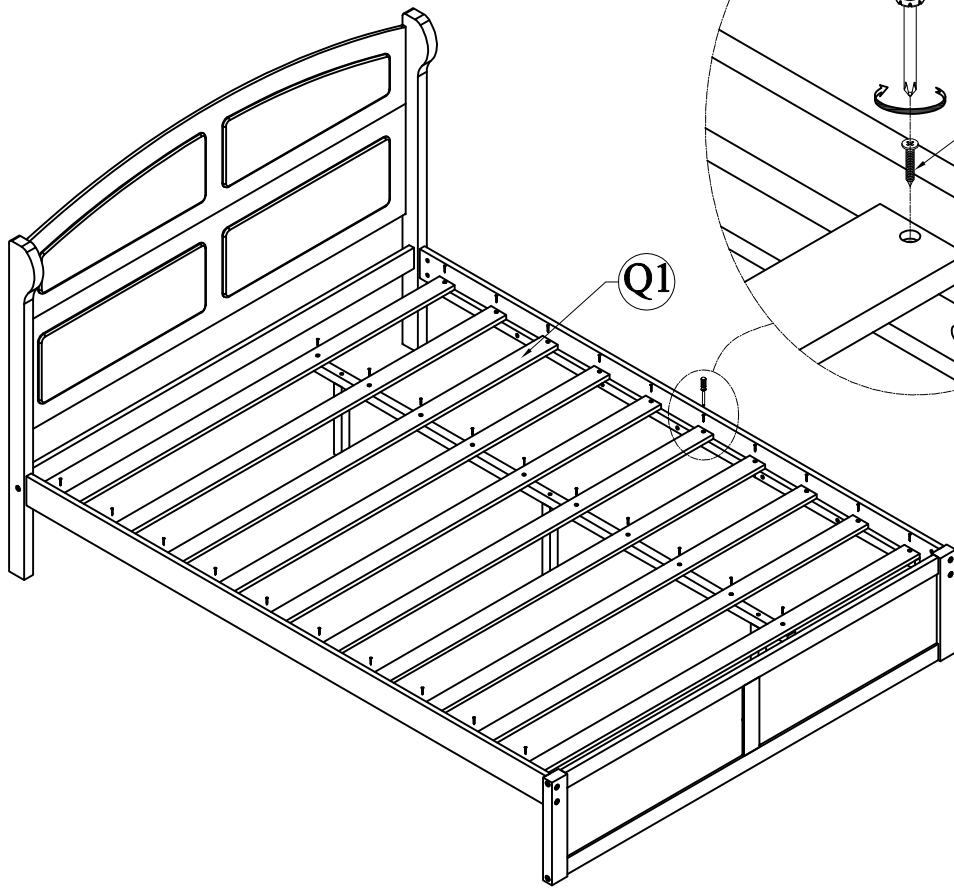
Hexagonal bolts catch wood
Ø6 * 70 - 3pcs

STEP 7




- 1**

Hex - Head bolts
Ø1/4" * 100- 4pcs
- 2**

Hex - Head bolts
Ø1/4" * 60- 4pcs
- 5**

Horizontal - Hold bolts
Ø1/4" - 8pcs
- 9**

Wood dowel
Ø8 * 30 - 4pcs

STEP 8

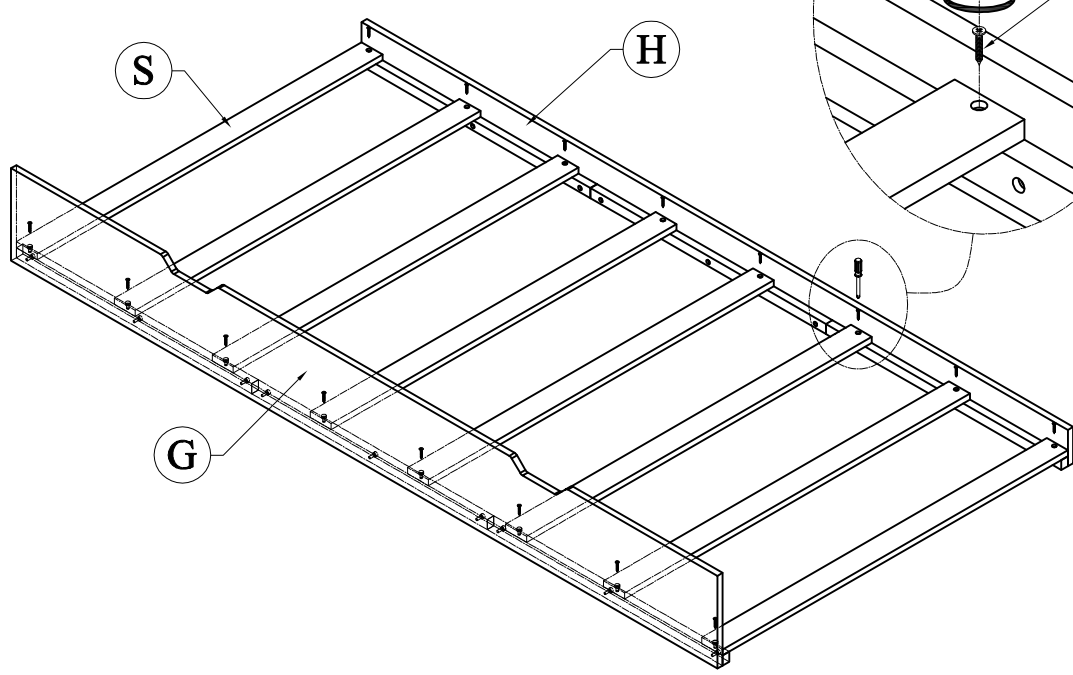


11




Wood screws
M4 * 25 - 30pcs

STEP 9

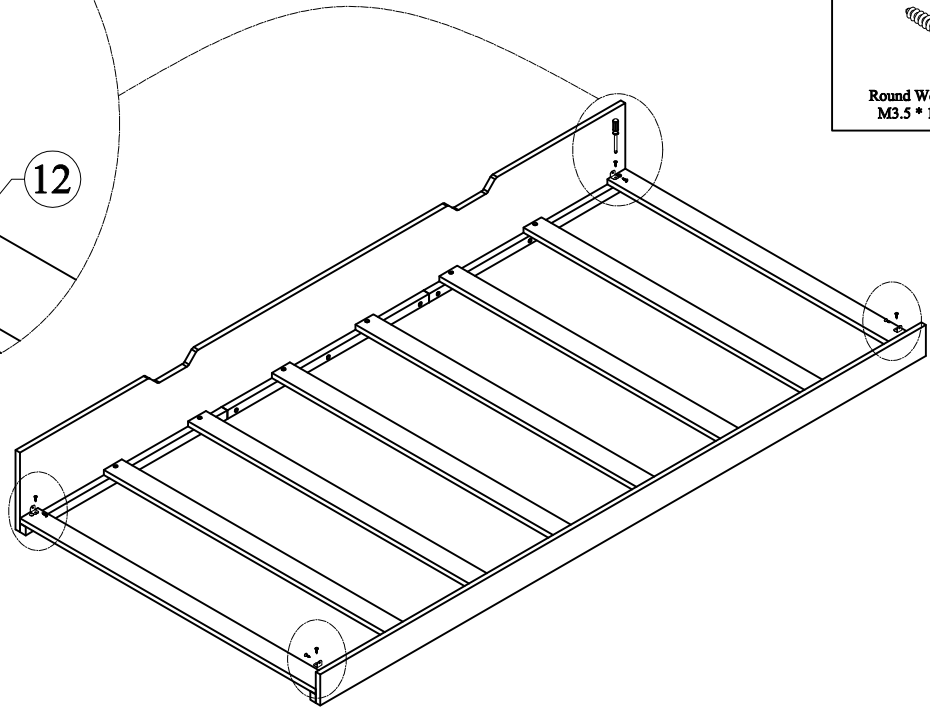
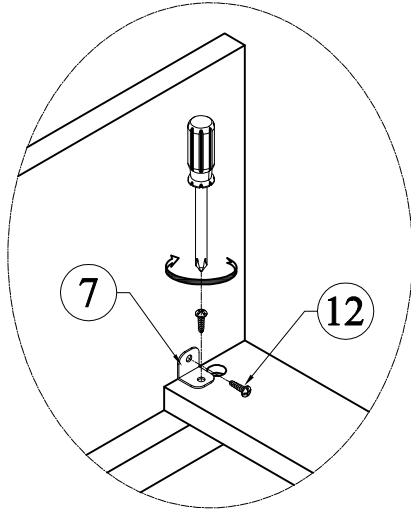


11



Wood screws
M4 * 25 - 16pcs

STEP 10



7



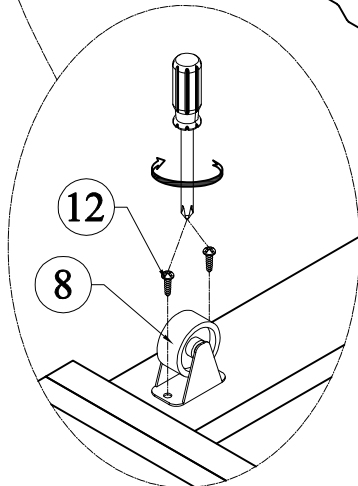
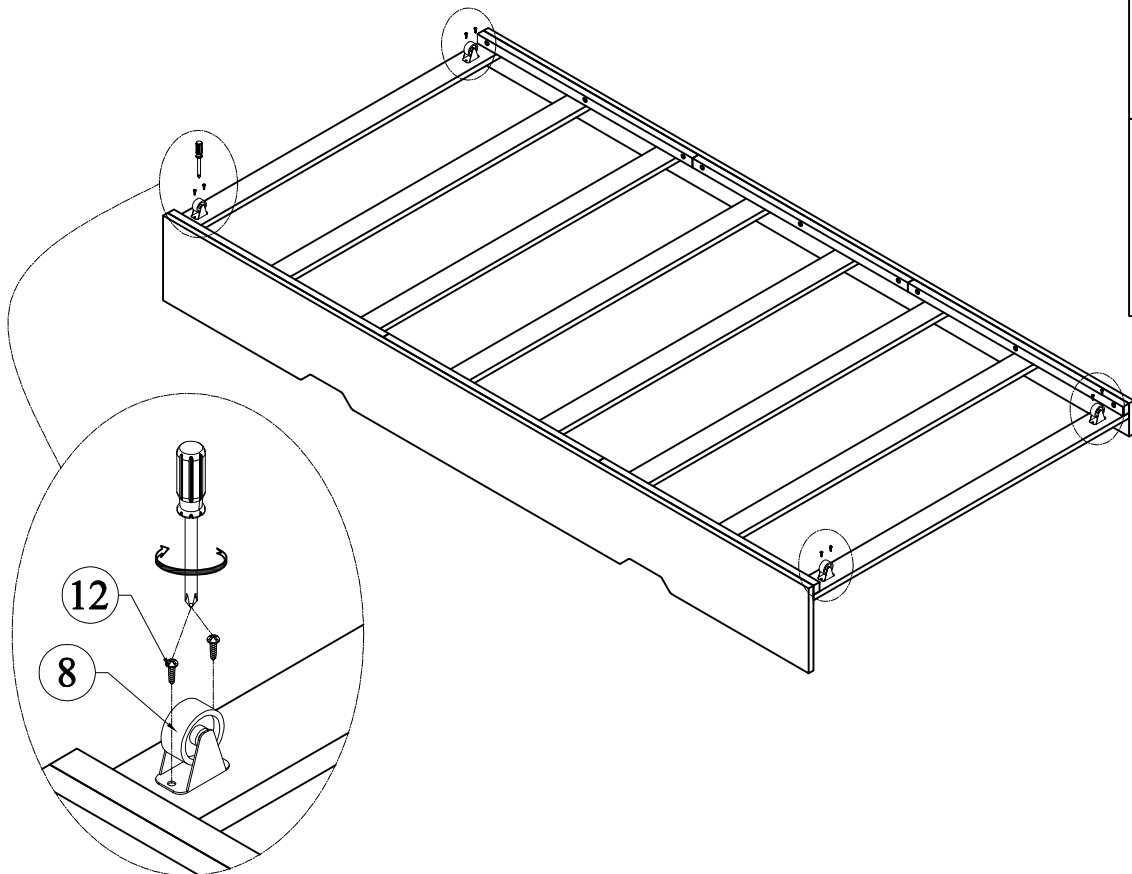
L - Bracket - 4pcs

12



Round Wood crews
M3.5 * 15 - 8pcs

STEP 11



8



Wheel
Ø8 * 30 - 4pcs

12



Round Wood crews
M3.5 * 15 - 8pcs

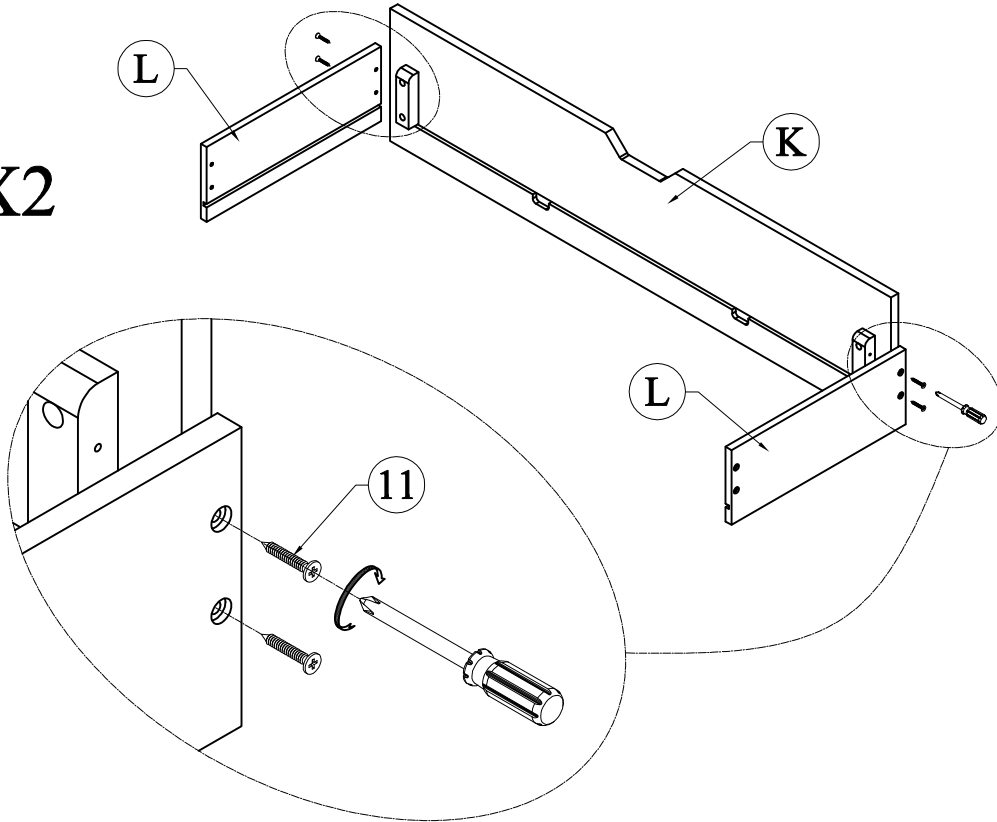
STEP 12

11



Wood screws
M4 * 25 - 8pcs

X2



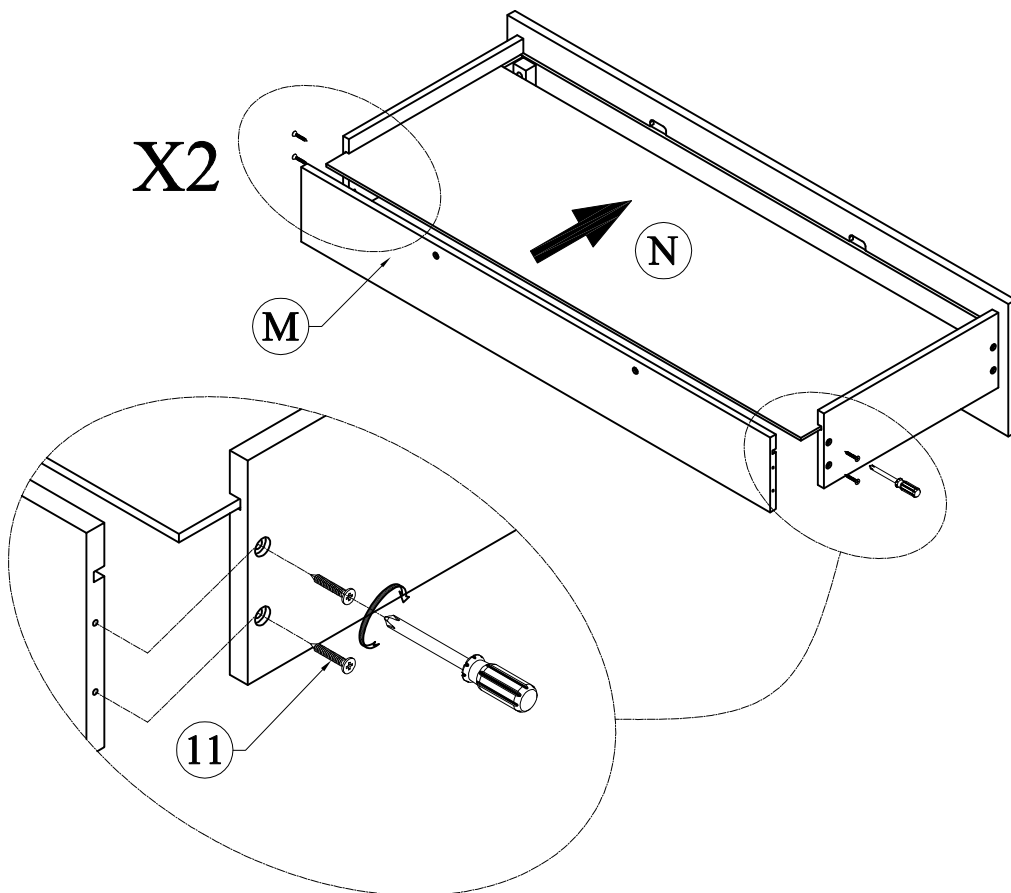
STEP 13

11



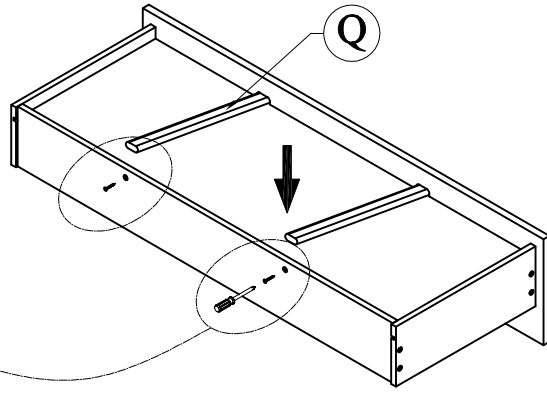
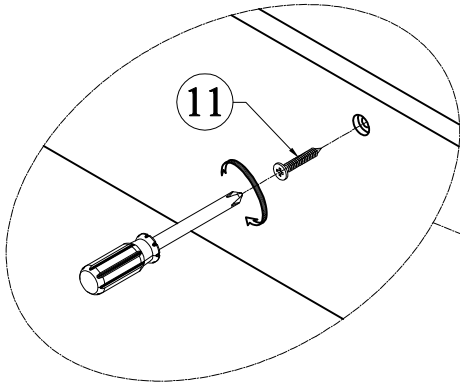
Wood screws
M4 * 25 - 8pcs

X2



STEP 14

X2



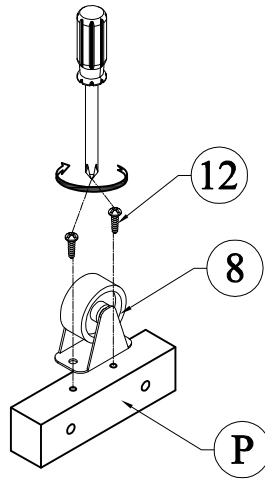
11



Wood crews
M4 * 25 - 4pcs

STEP 15

X8



8



Wheel
Ø8 * 30 - 8pcs

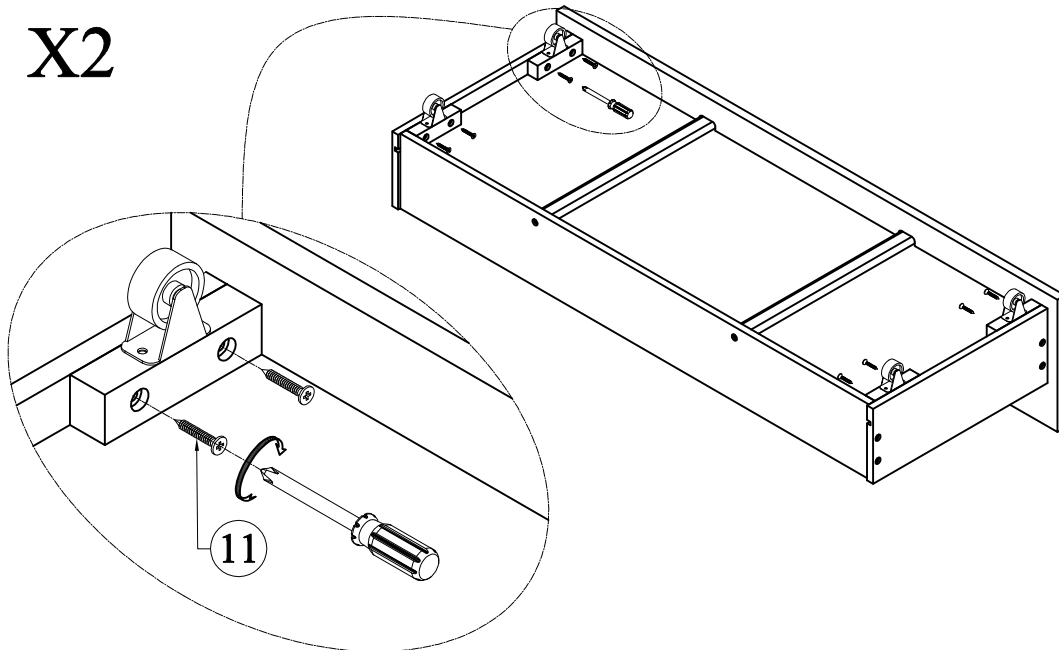
12



Round Wood crews
M3.5 * 15 - 16pcs

STEP 16

X2

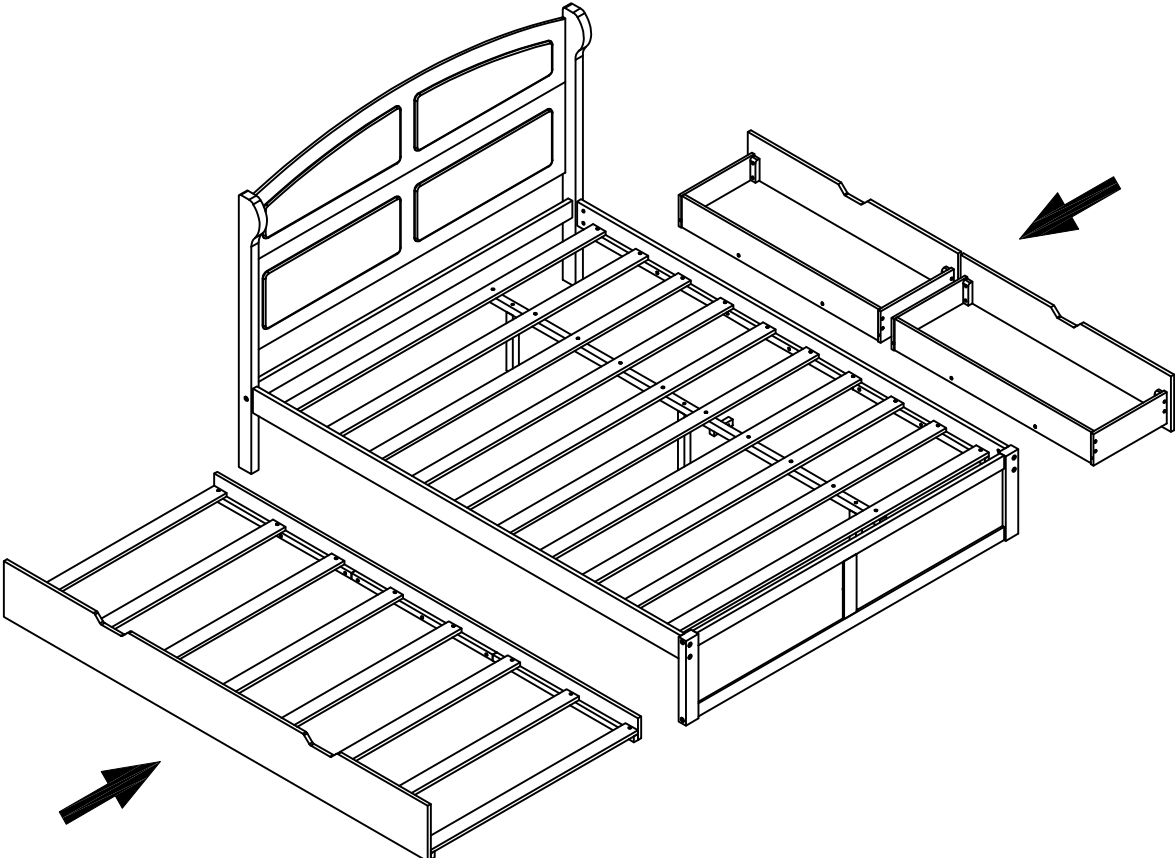


11



Wood crews
M4 * 25 - 16pcs

STEP 17



COMPLETED

