

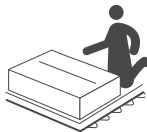
Installation & Assembly

Notice:

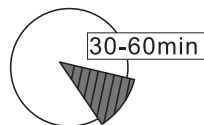
1. Follow the installation instructions. Please confirm all accessories are present before installation.
2. Do not fully tighten the screws during initial assembly. Fully tighten screws only once all pieces which are correctly assembled.
3. If you encounter any problems during installation, please contact our customer service.
4. Please unbox the item from the side with an open-label and put a carpet on the floor to avoid scratching it.



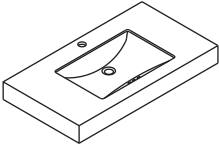
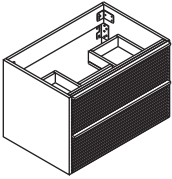
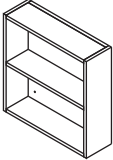
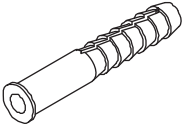
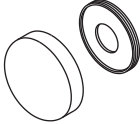
Recommended installers : 2

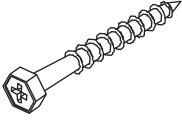
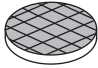

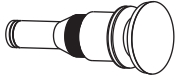



Put a carpet on the floor
before unpacking

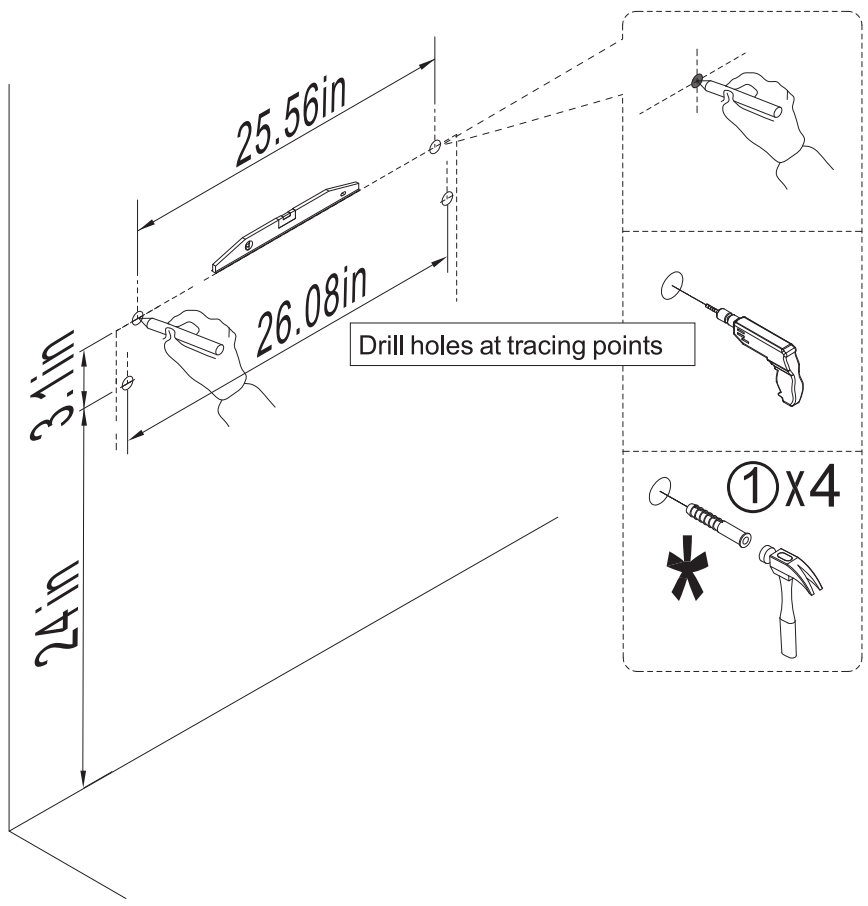
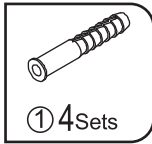


Estimate installation time:
30 minutes

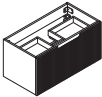

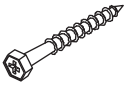
Item no.	Reference Image	Qty
A		x1
B		x1
C		x1
1		x4
2		x8 Sets

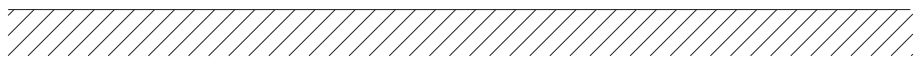
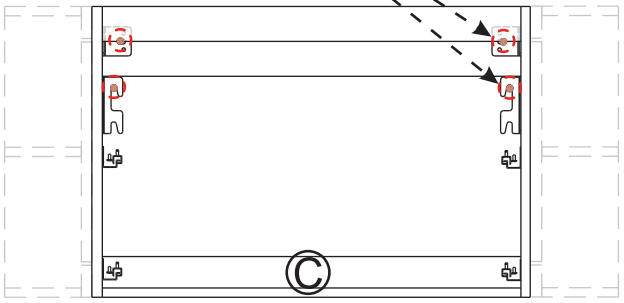
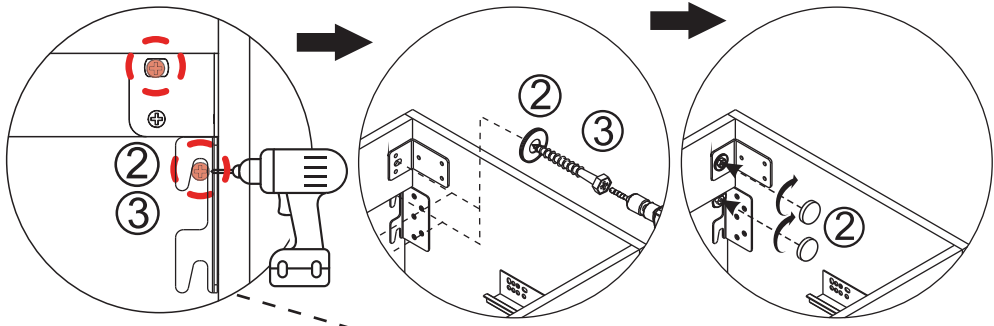
Item no.	Reference Image	Qty
3		x4
4		x6
5	 M5x30mm	x4
6	 	x1

1



2

 ① 1pc
 ② 4pcs
 ③ 4pcs



3



Ⓐ x1



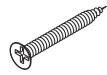
Ⓑ x1



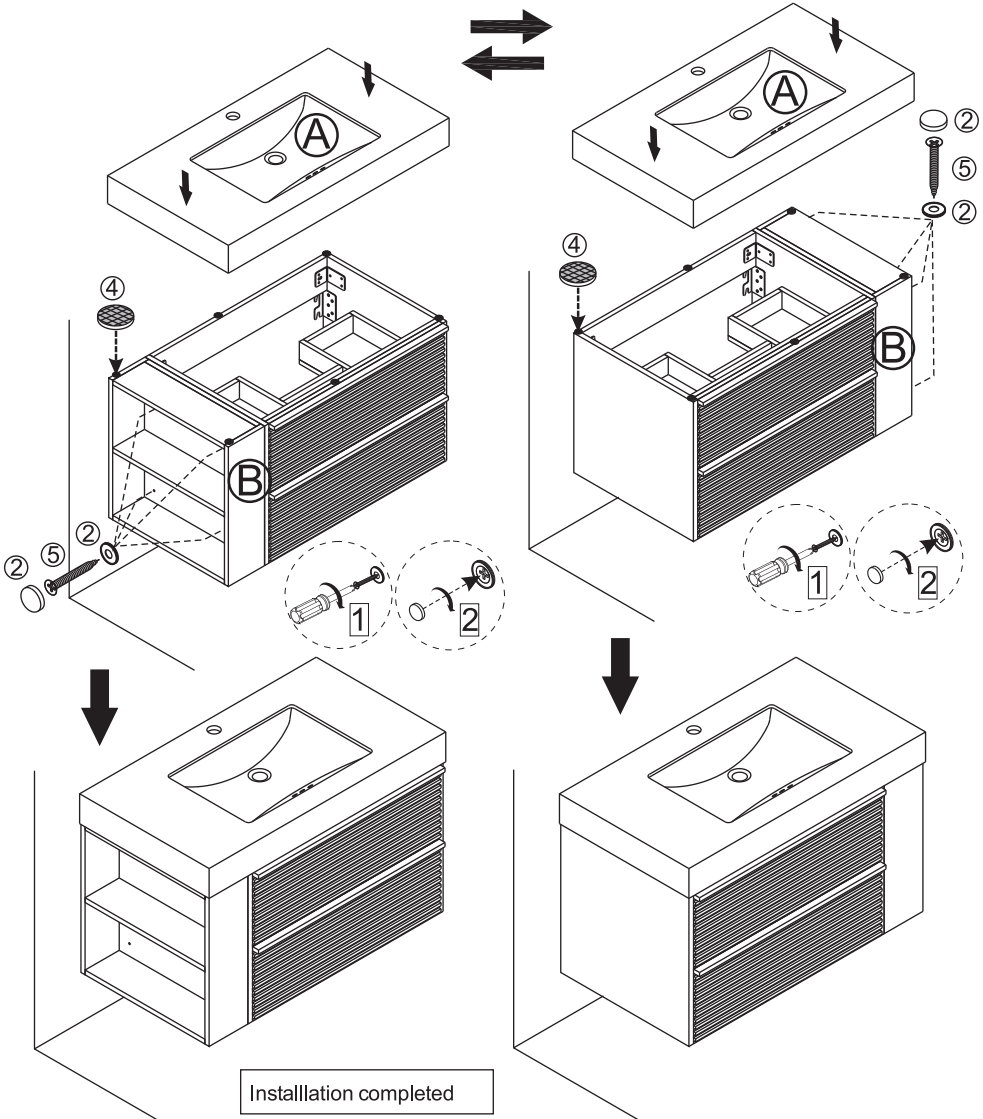
④ 6 pcs



② 4 pcs



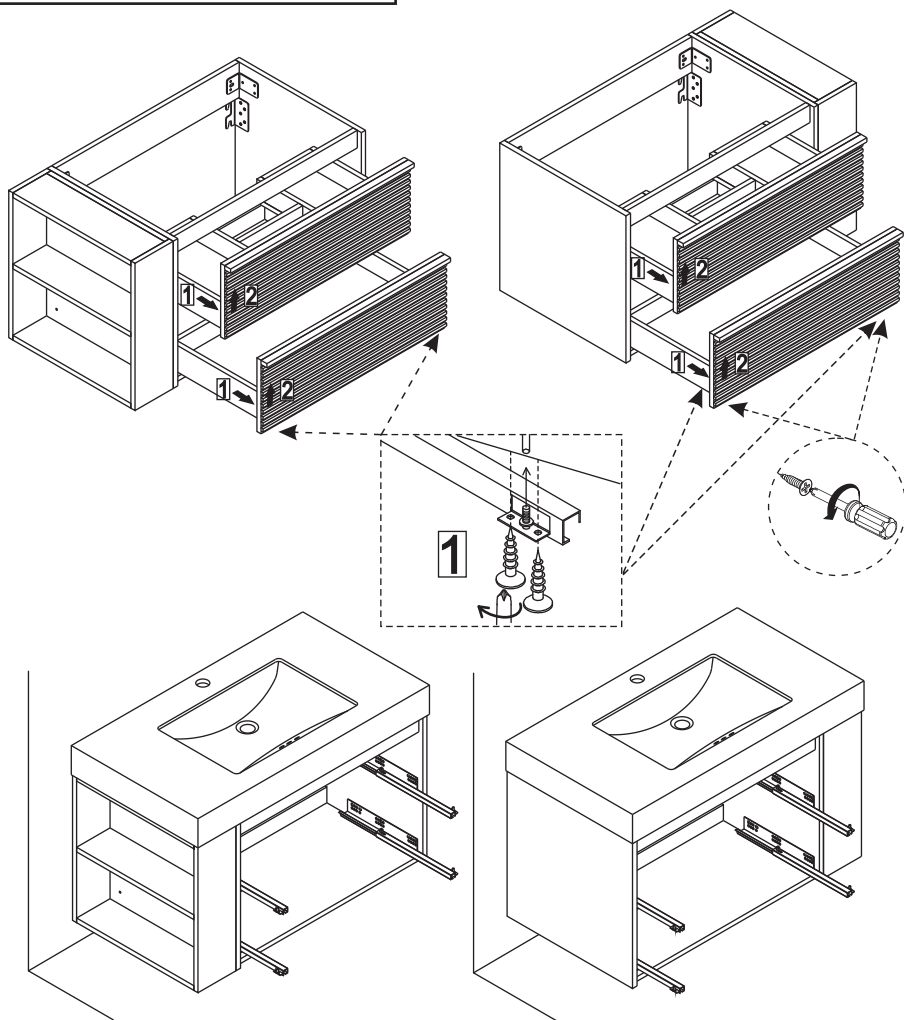
⑤ 4 pcs



4

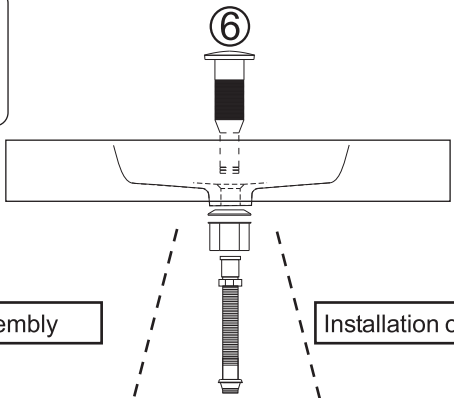
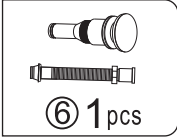
Turn the screw at the bottom of the guide rail counterclockwise!

Installation of drain assembly



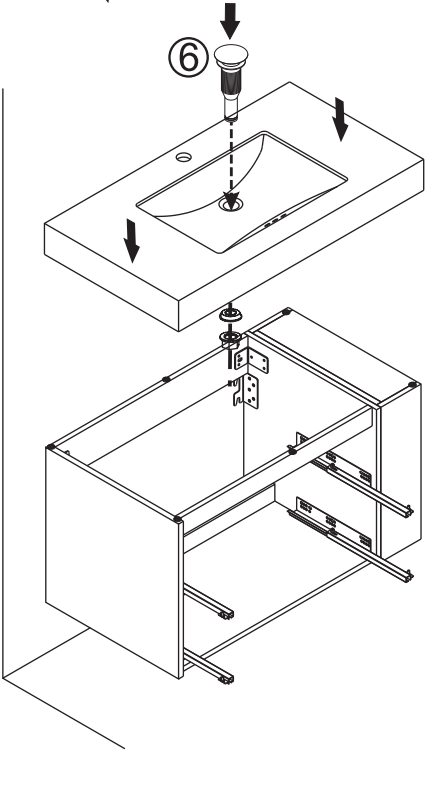
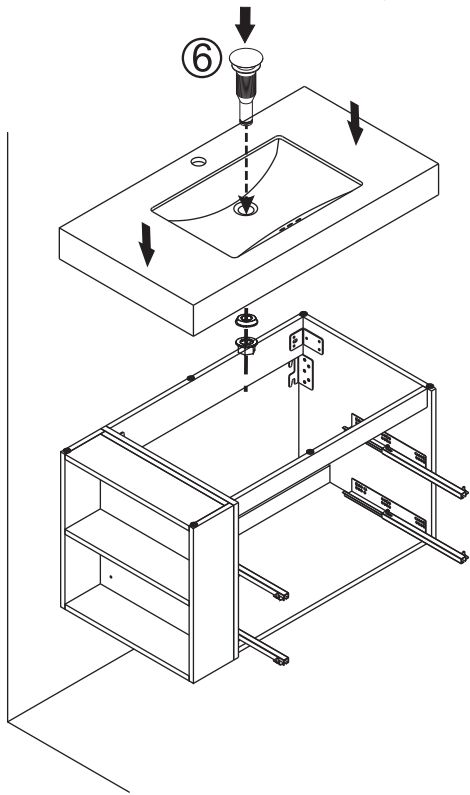
Move out the drawer

5

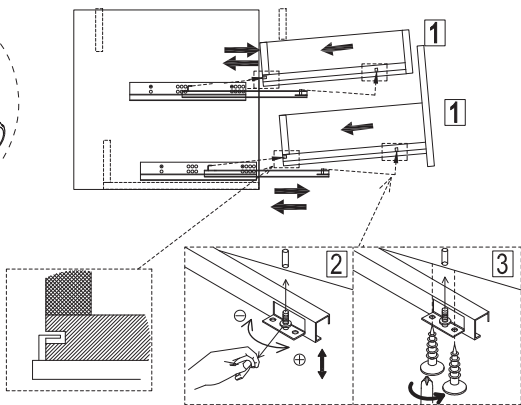
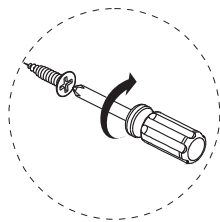
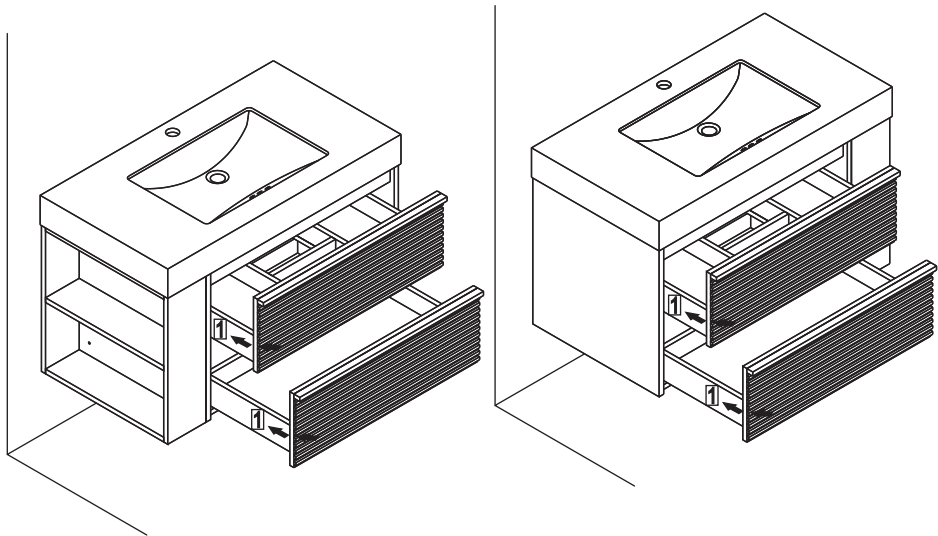


Installation of drain assembly

Installation of drain assembly



6



Installation completed