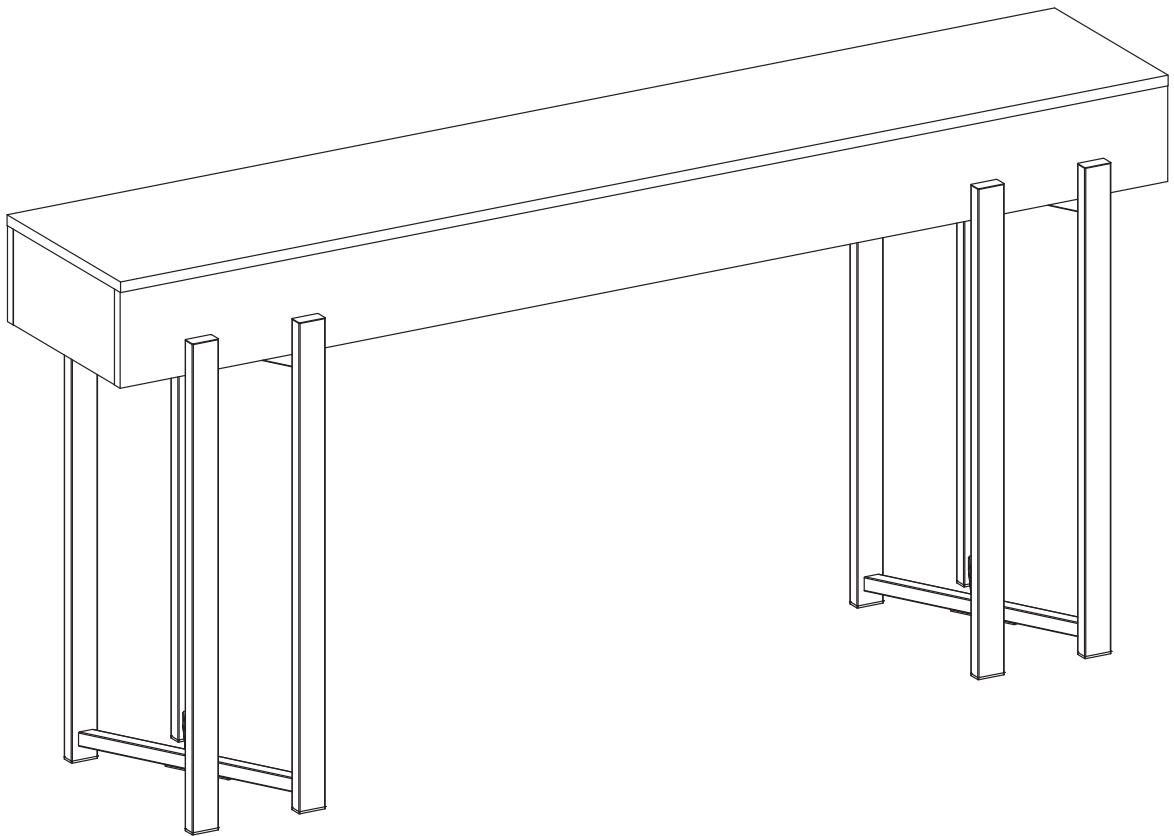


Tribesigns

DESIGNED FOR LIFE

Assembly Instructions



Console Table

Model No.
HOGA-JW1070

 **LITTLE TREE**
Little Tree by Tribesigns

www.tribesigns.com



Contact Us

We're here to help you.




Your satisfaction is our top priority. If you encounter any issues with this product, such as missing or damaged parts, we're here to help. Please retain the original packaging and take photos of the packaging and the product, then contact us as soon as possible.

Warm Tips

1. Carefully read these instructions and keep them for future reference.
2. Check the parts list and confirm everything's there before starting assembly.
3. When assembling, put all parts on a soft, smooth surface like a carpet to avoid scratches.
4. Don't fully tighten screws until all parts are confirmed in place to avoid misalignment.

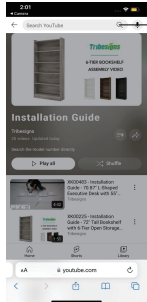
How to Get the Assembly Video

Step 1 Scan the QR code.



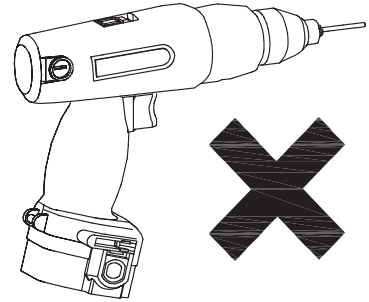
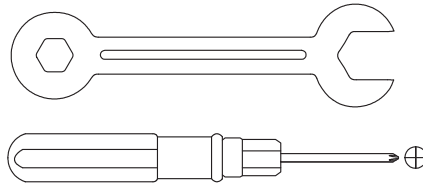
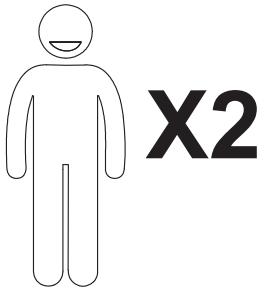
Installation Video

Step 2 Search with the Model No. (on the bottom left corner of the title page)



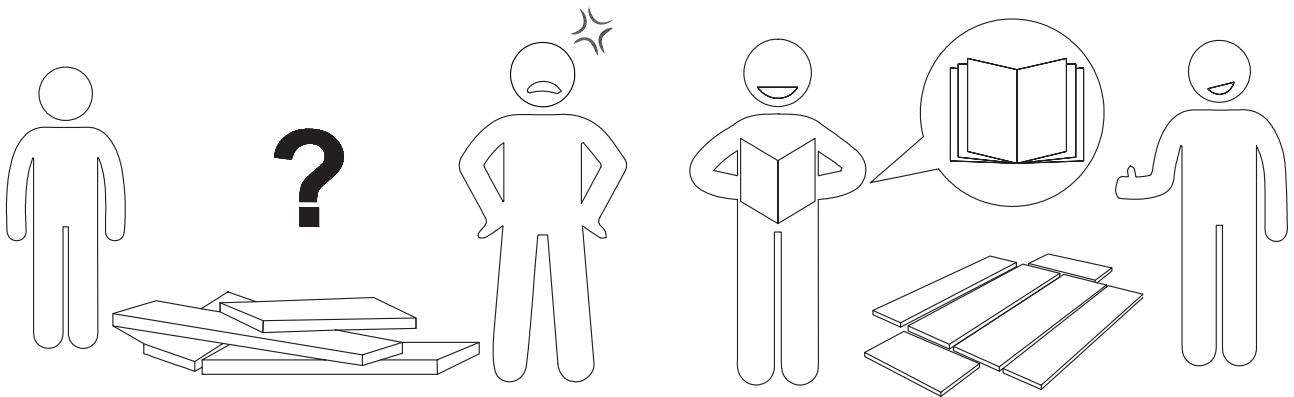
HOGA-JW1070

Note: If you can't find the assembly video, please contact us.



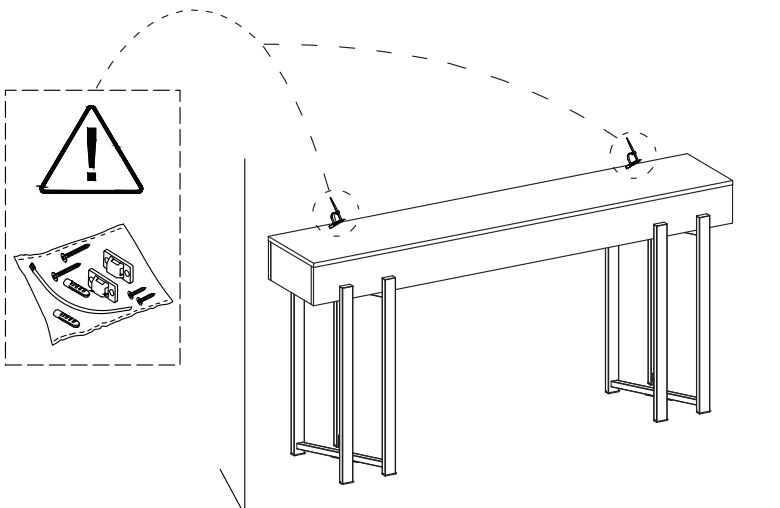
We recommend using hand tools for assembly.

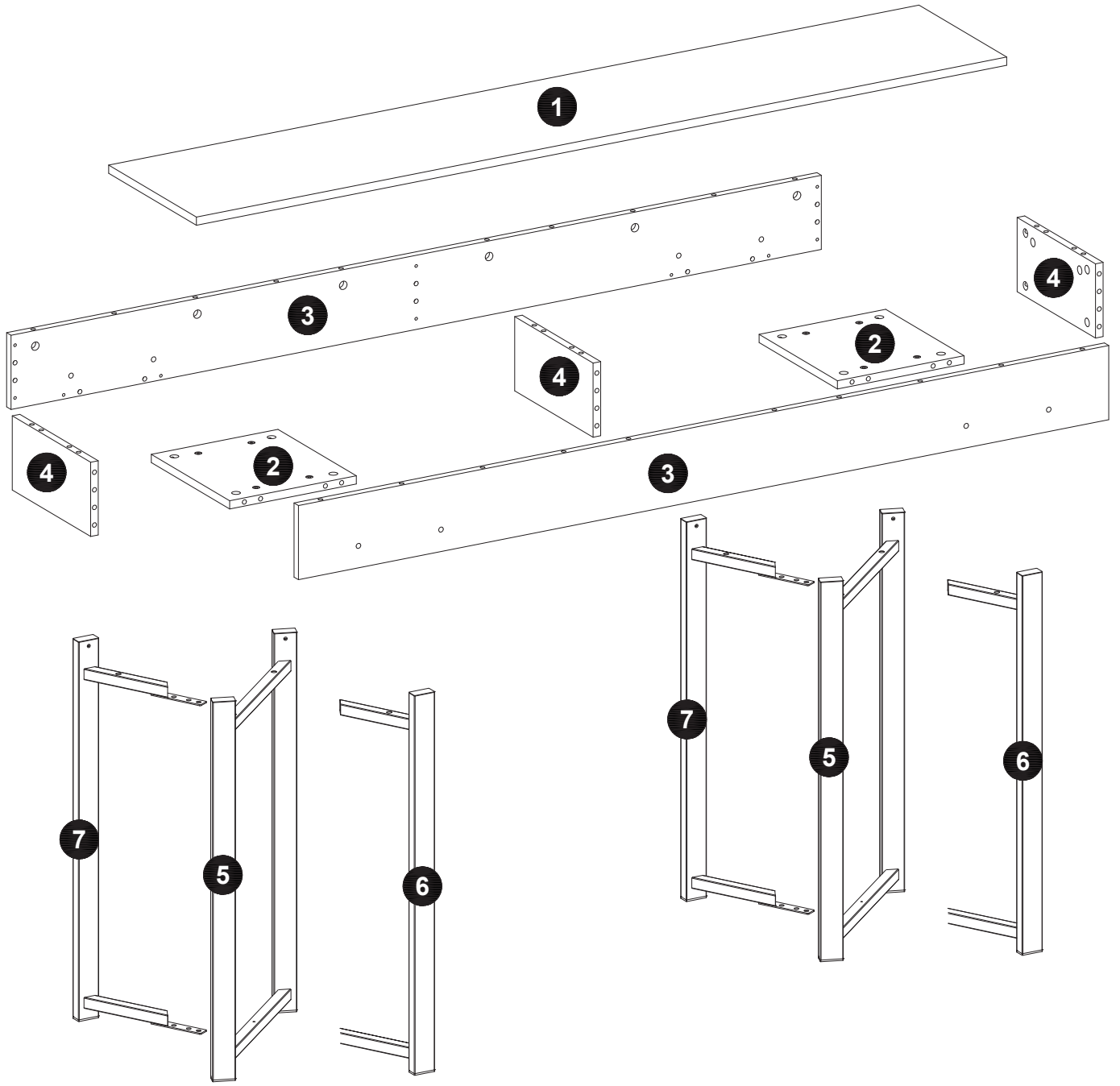
If an electric screwdriver is used, reduce power and torque to avoid damage to the product.



Install the Anti-Tip Straps

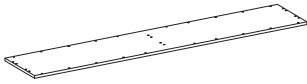
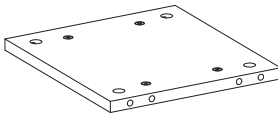
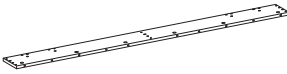
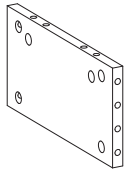

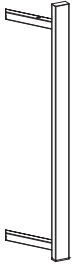

Using the anti-tip straps can reduce the risk of tipping over, but can not eliminate it.



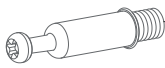
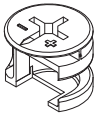
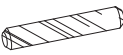
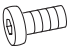
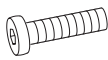
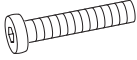
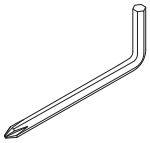



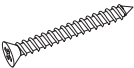





Parts List

<p>1</p>  <p>1 pc</p>	<p>2</p>  <p>2 pcs</p>	<p>3</p>  <p>2 pcs</p>	<p>4</p>  <p>3 pcs</p>
<p>5</p>  <p>2 pcs</p>	<p>6</p>  <p>2 pcs</p>	<p>7</p>  <p>2 pcs</p>	

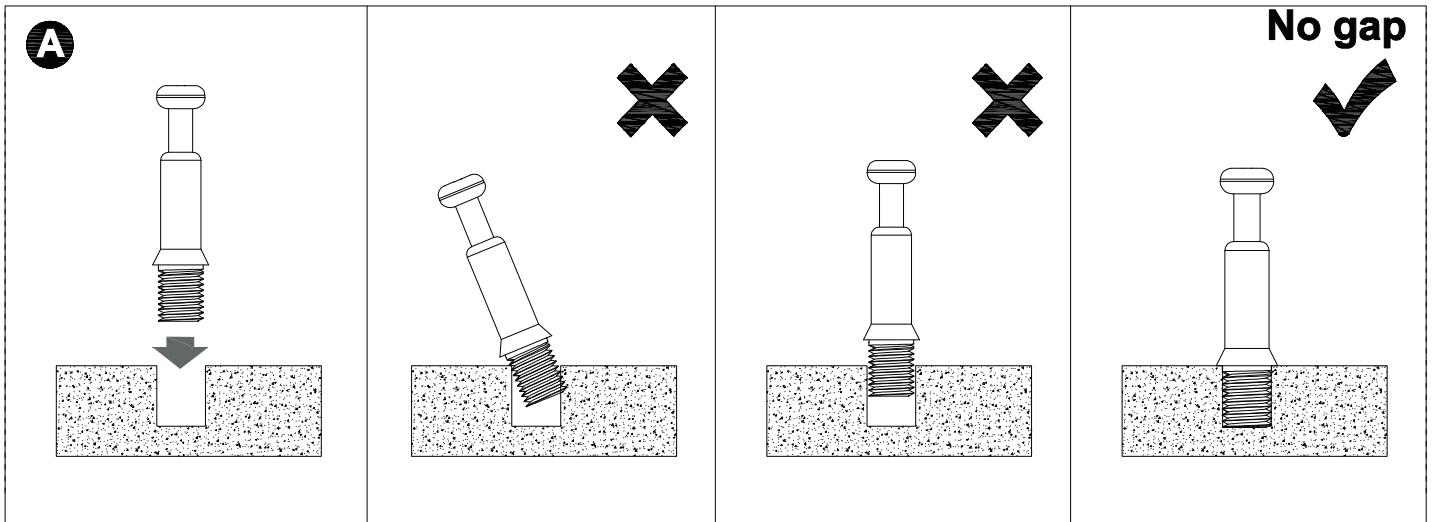
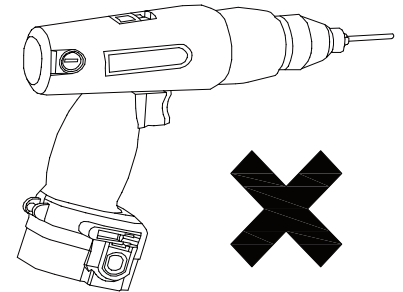
Hardware List

A	B	C	D	E	F	G
 <p>M6x35mm</p>	 <p>Ø15x11mm</p>	 <p>Ø8x30mm</p>	 <p>M6x12mm</p>	 <p>M6x25mm</p>	 <p>M6x35mm</p>	 <p>S4</p>
38 pcs	38 pcs	34 pcs	12 pcs	8 pcs	8 pcs	1 pc

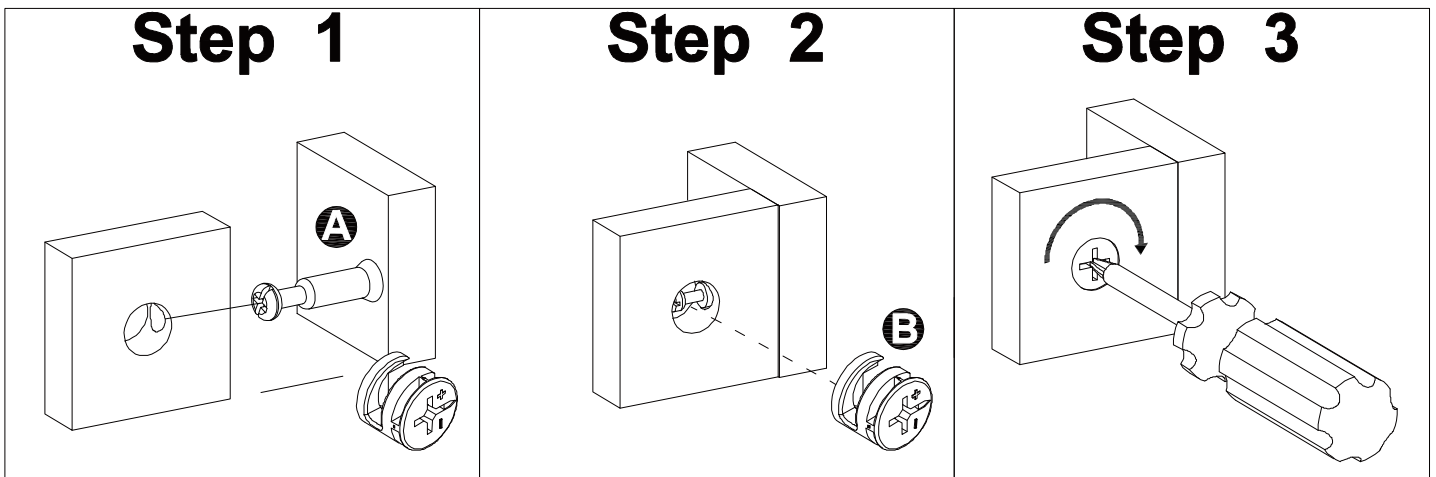
H	I	J	K	L	
 <p>Ø6x30mm</p>	 <p>M4x35mm</p>	 <p>M3.5x14mm</p>	 <p></p>	 <p></p>	
4 pcs	4 pcs	4 pcs	4 pcs	2 pcs	

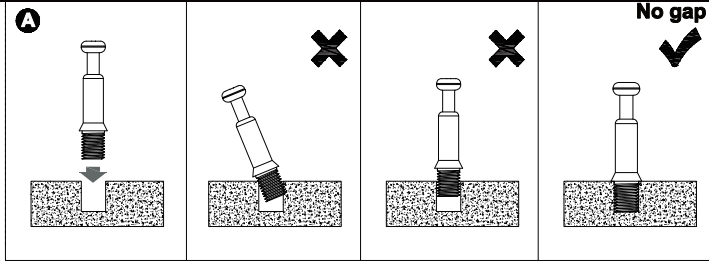
Installation of Cams and Pins

Read each step carefully before starting. Each step of instruction should be performed in the correct order. If these steps are not followed in sequence, assembly difficulties may occur.



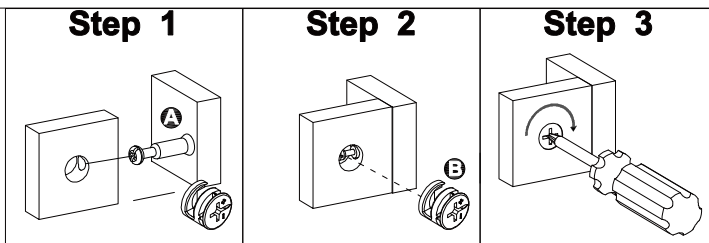
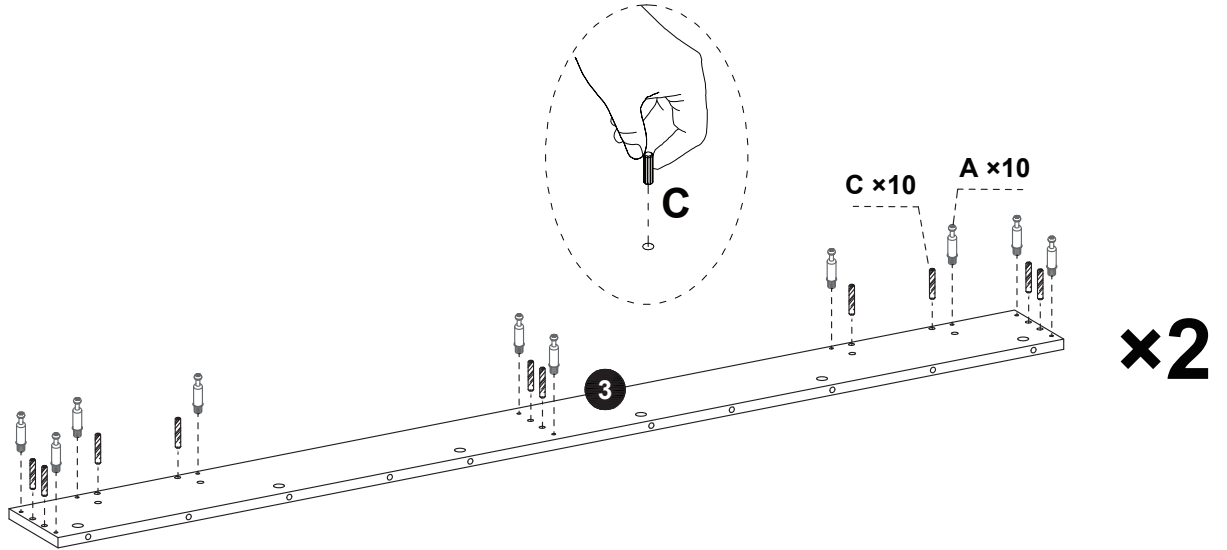
Screw the pin into the hole. Set the cams correctly by aligning the head of the cams with the lock pins. Lock the cam by turning the cam head with a screwdriver until it is tightened. Please do not use an electric screwdriver to assemble the unit.



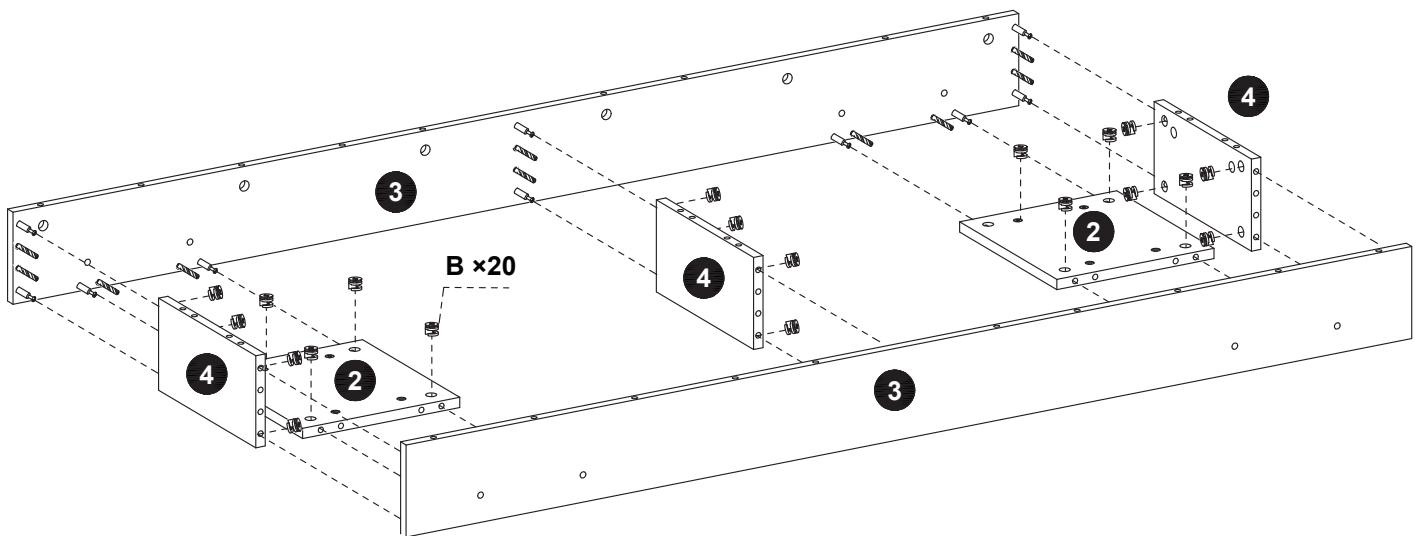


A
M6×35mm
20pcs

C
Ø8×30mm
20pcs

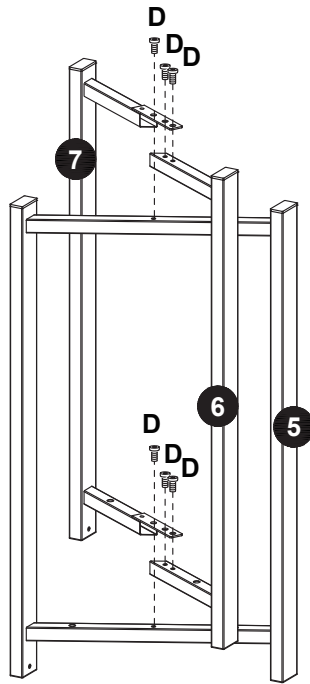
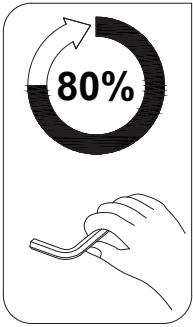



B
Ø15×11mm
20pcs





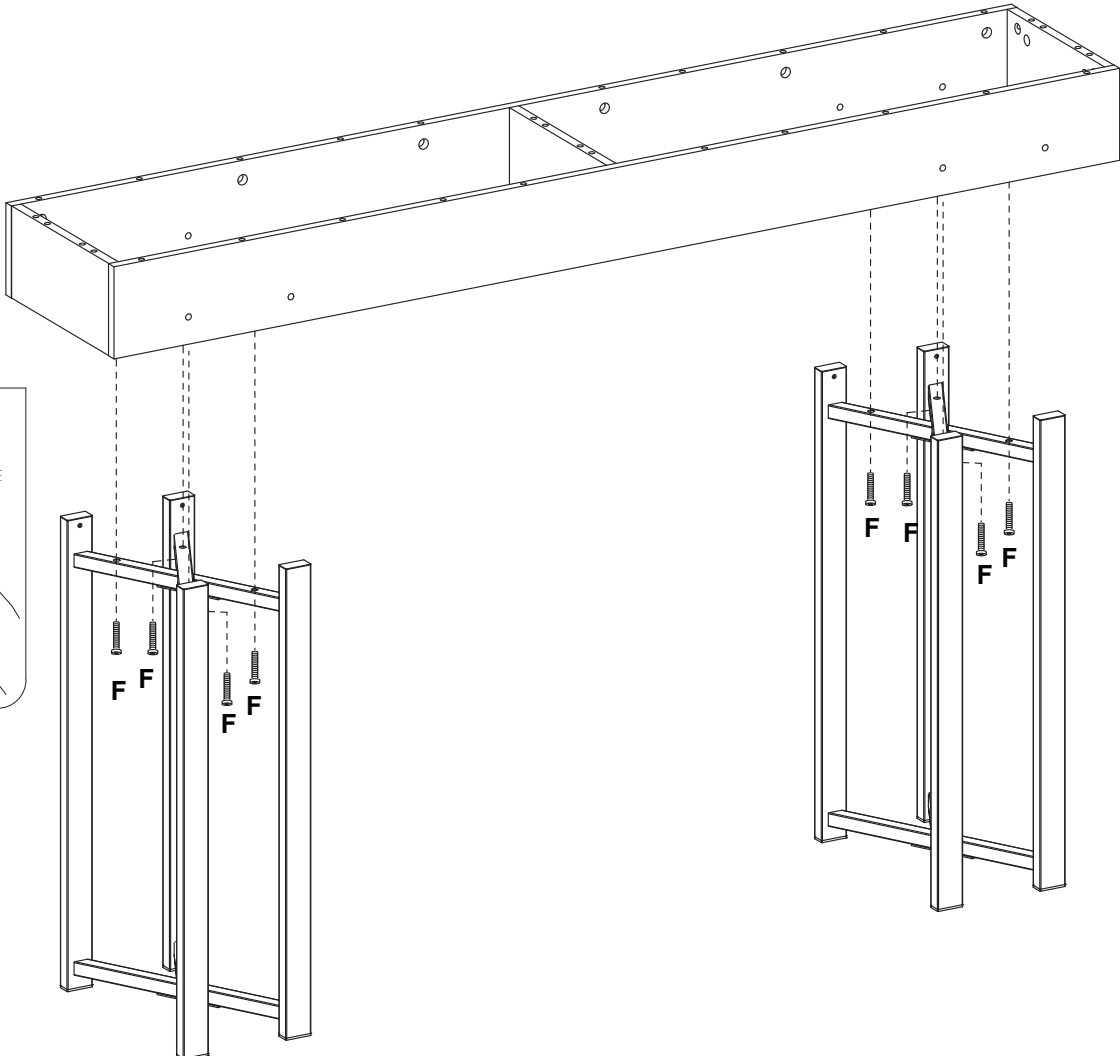
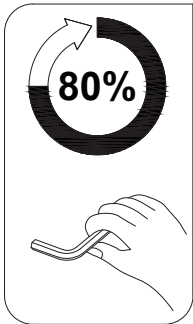
3




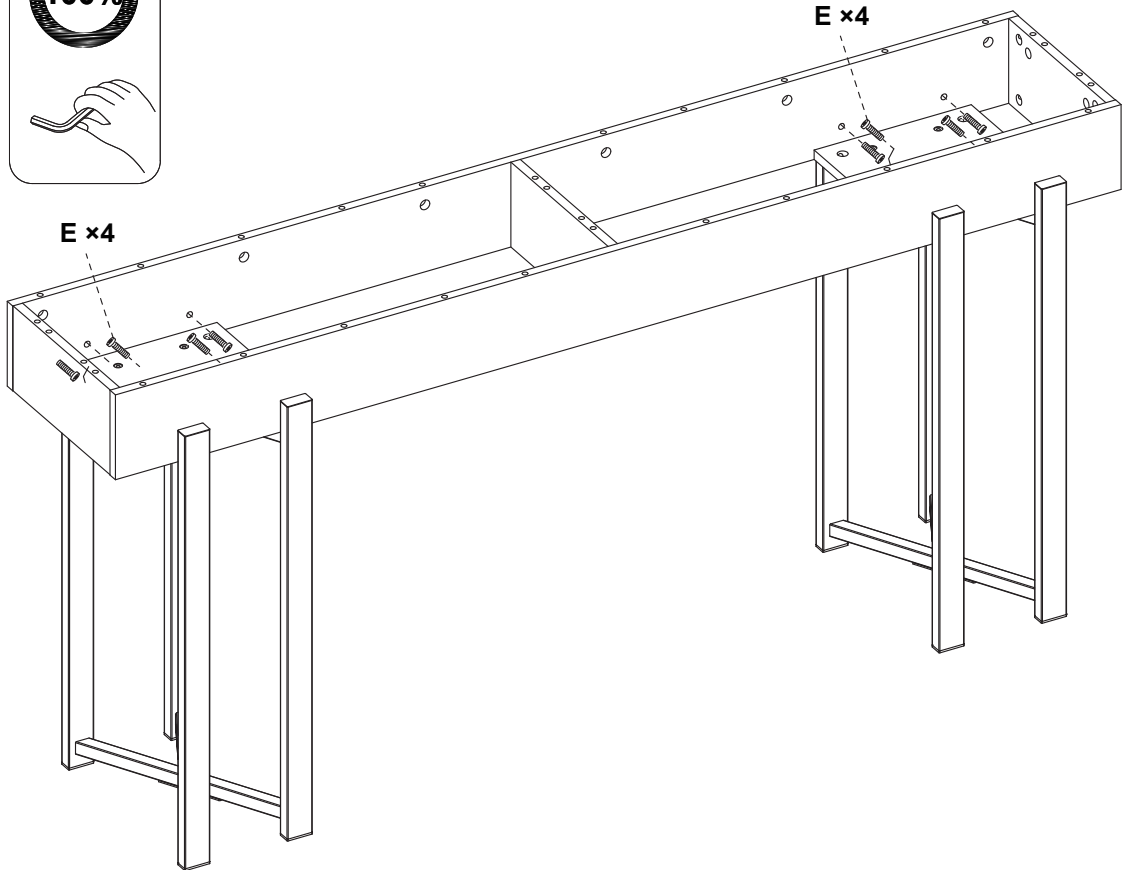
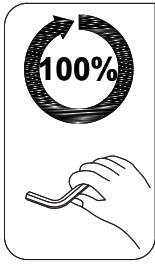
D

M6×12mm
12pcs

×2

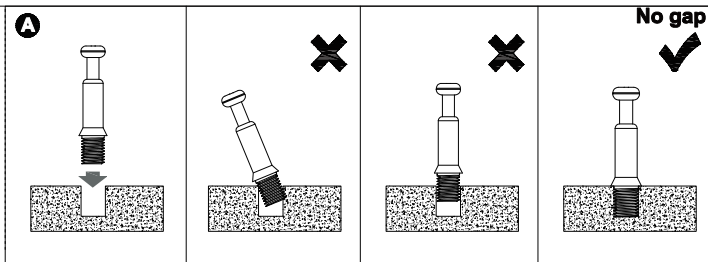
4



F

M6×35mm
8pcs

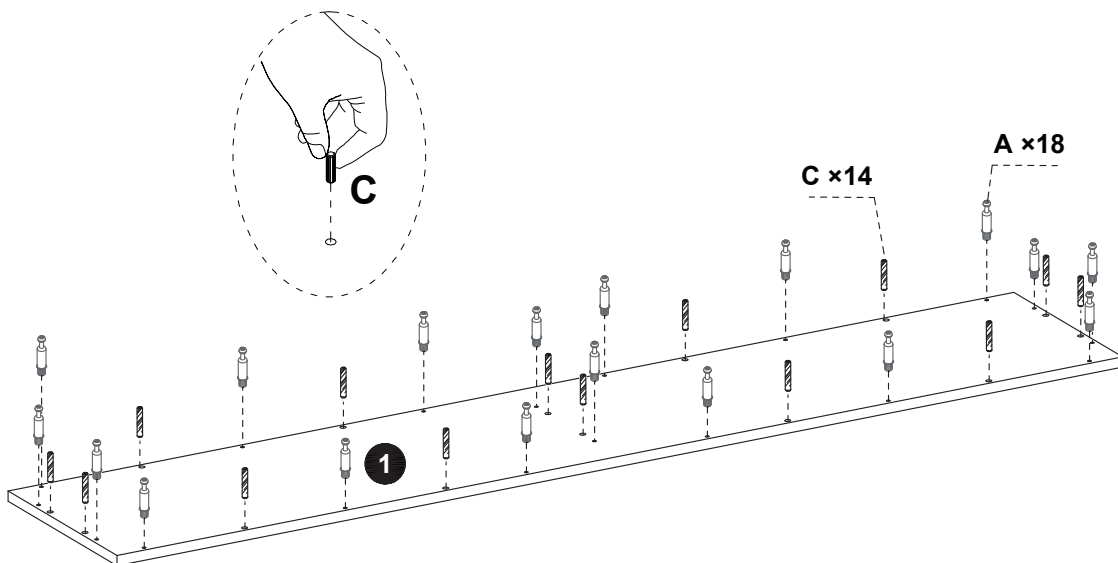
5

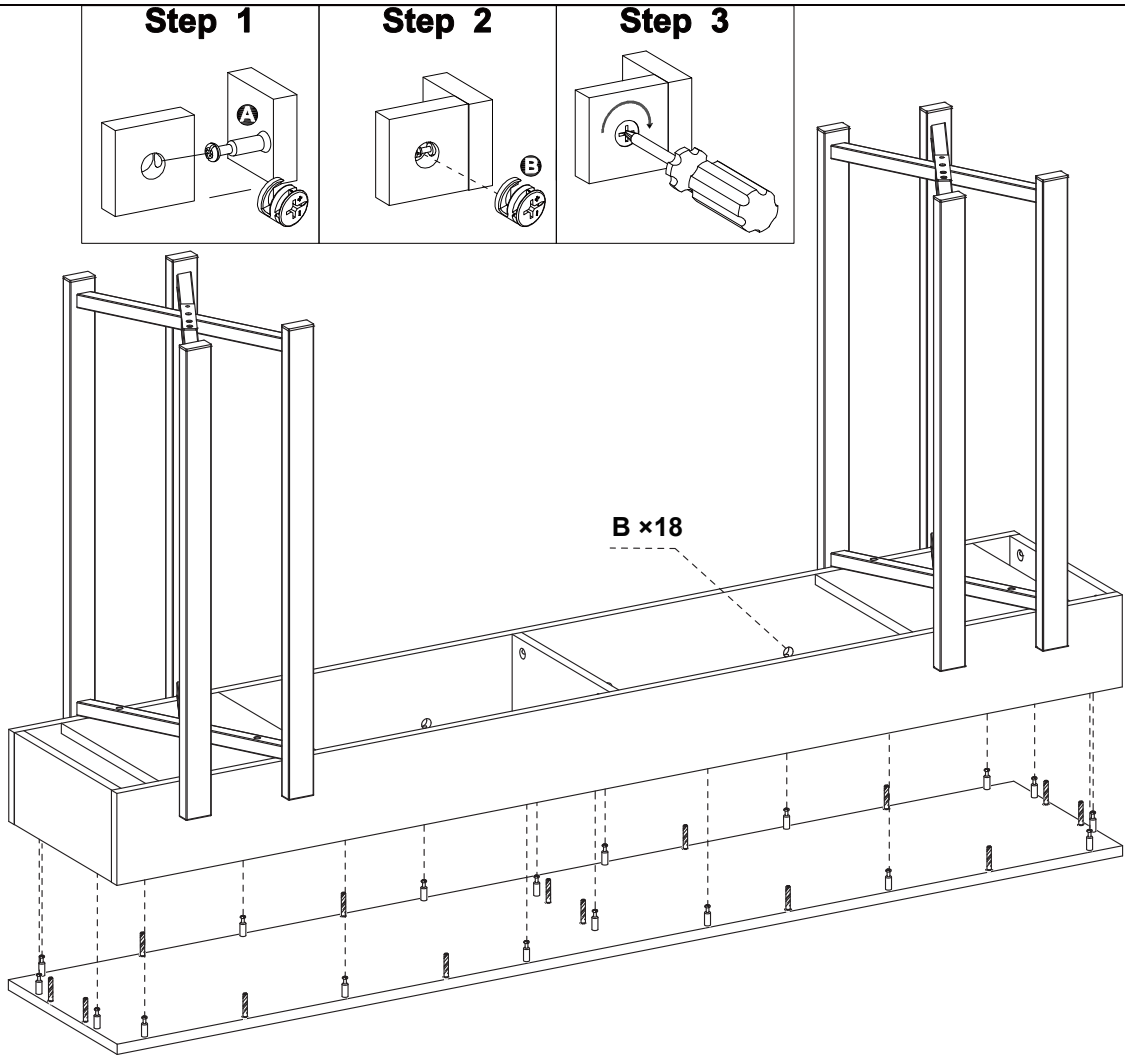
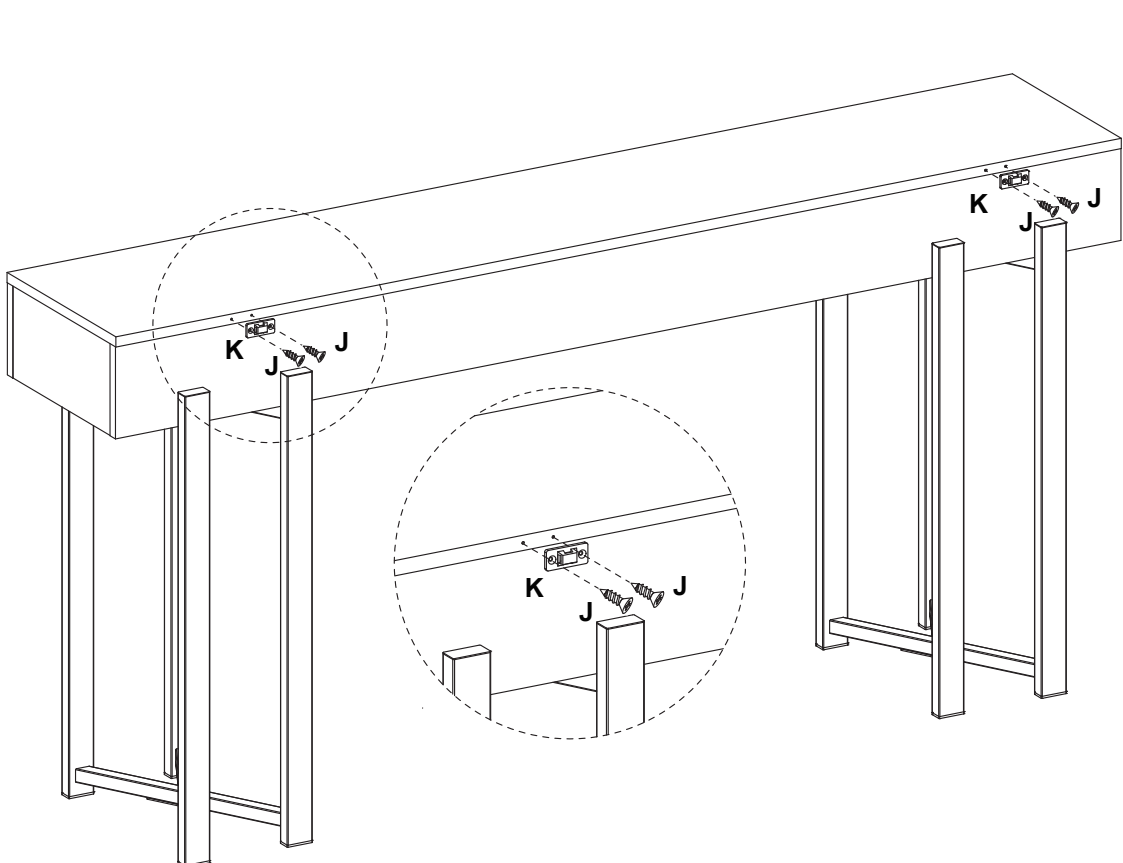
E
M6x25mm
8pcs

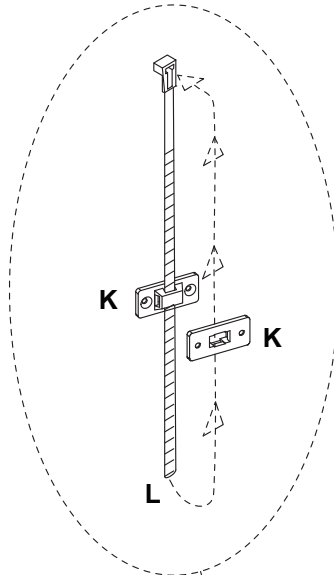
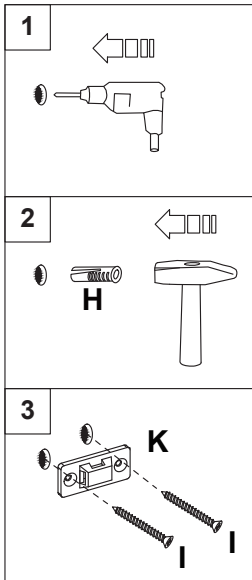
6

A
M6x35mm
18pcs

C
Ø8x30mm
14pcs



7**8**

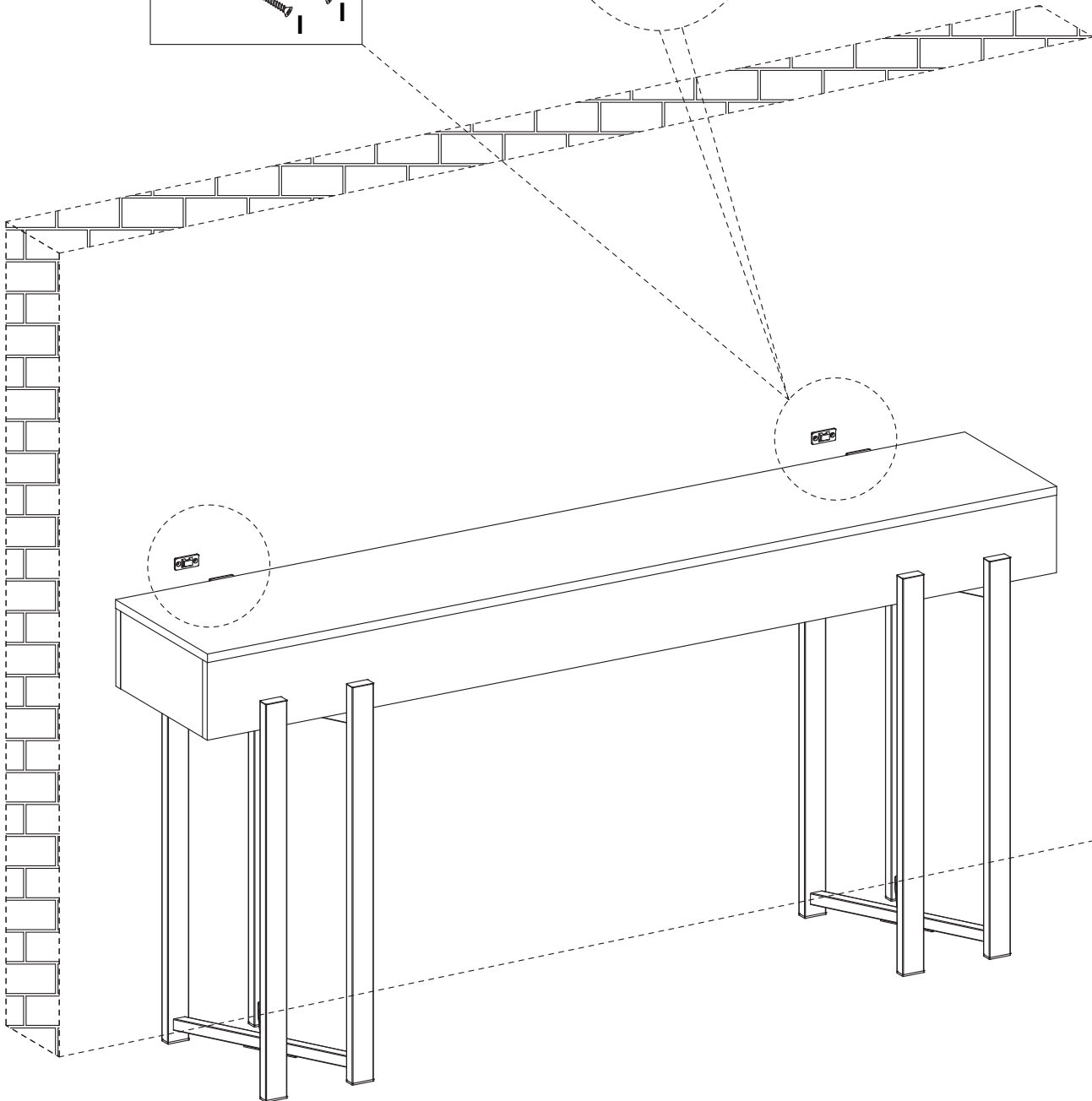
9

H
Ø6×30mm 4pcs

I
m4×35mm 4pcs

K
2pcs

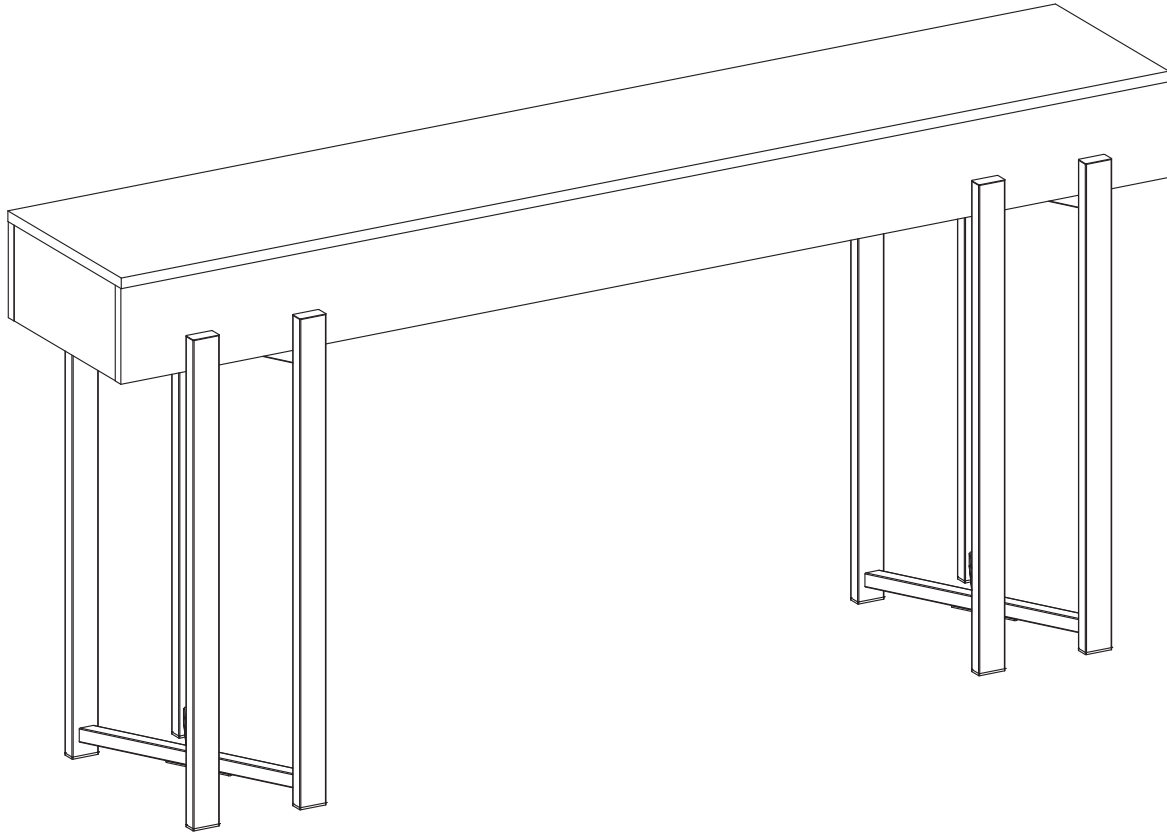
L
2pcs





DESIGNED FOR LIFE

Thank you for your support!



Contact our customer service team



support@tribesigns.com
www.tribesigns.com



1-424-220-6888

7 AM to 8 PM EST,
Monday to Friday

Follow Tribesigns



Facebook



Instagram



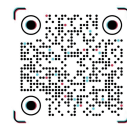
Pinterest



Twitter



YouTube



TikTok



WhatsApp