

3-Light Glass Wall Light

Caution: Please turn off power before installation and read the manual carefully, we advise you contact professional electricians to install for safety purpose.

Product Features

Style: Mid-Century Modern/Contemporary/Glam

Material: Metal, Glass

Base Type: E12

Light Source Included: No

Voltage: 110VAC

Wattage: 60W

Package includes

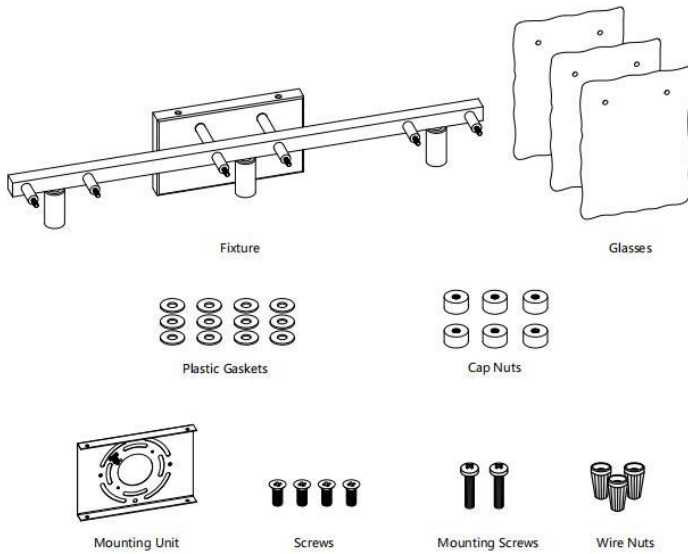
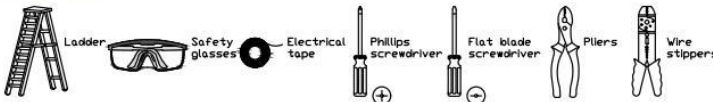
1 x Wall Light

1 x Accessory Pack

1 x User's Manual

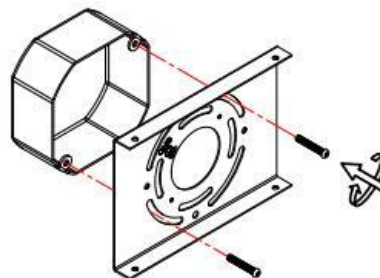
Installation Instructions

TOOLS REQUIRED



STEP 1

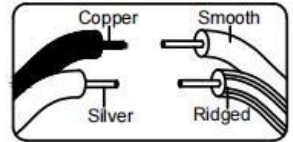
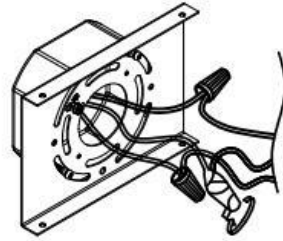
Use the **mounting screws** to attach the **mounting unit** to the junction box.



STEP 2

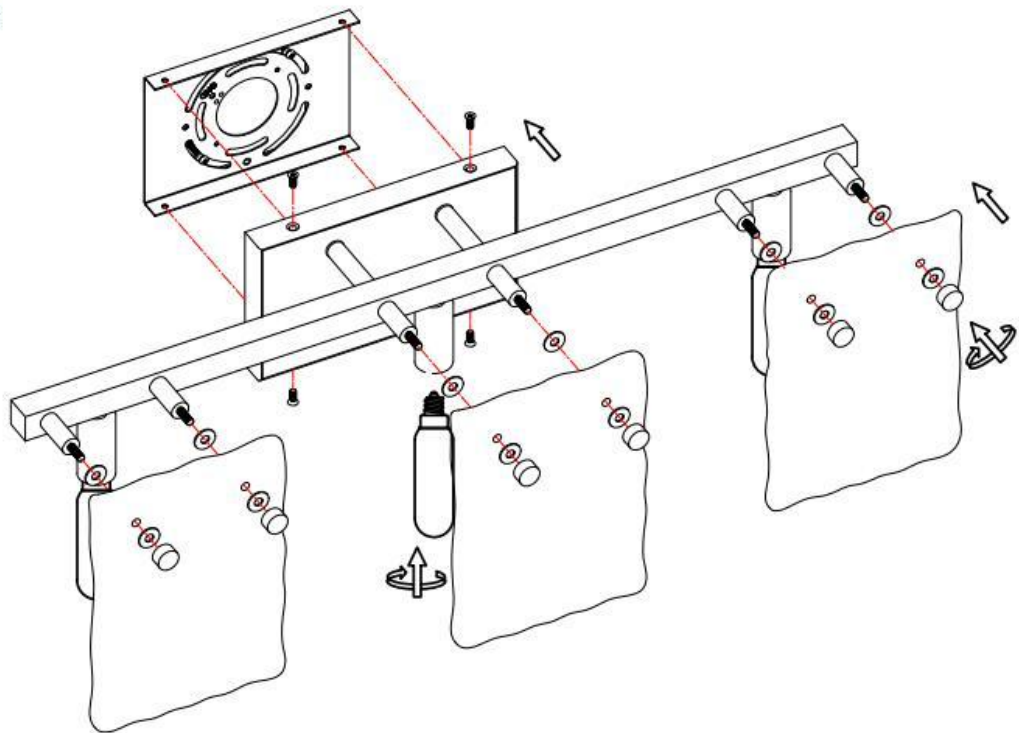
Make the electrical connection **from** the junction box to the fixture. Connect the ground wire to the **mounting unit** using the preinstalled green ground screw. Then, connect the positive, negative and ground wires with the supplied **wire nuts**. Secure with electrical tape

Connect Clear, Brown, Gold or Black Parallel Wire without tracer (round & smooth) or Black Fixture Wire to:	Connect Clear, Brown, Gold or Black *Parallel Wire with tracer (square & ridged) or White Fixture Wire to:
Black or Red Supply Wire or Insulated Wire (other than green) with copper conductor.	White Supply Wire or Insulated Wire (other than green) with silver conductor



STEP 3

Secure the **fixture** to the **mounting unit** with the screws. Hang the **glasses** on the threaded rods of the **fixture**, And fix it with the **cap nuts** (Note: **plastic gaskets** must be added at both the front and back of the **glass** to protect it). Install the bulbs (not included).
Medium Base Type T 3*E12-60W



Note: please use this product accordingly to its intended purpose, do not retrofit or remodeling the product. The warranty does not cover if the failure is caused by the third party product, or natural disasters.

Made in China

