

Bucket cabinet

Assembly Instructions

X6CAB02-WT



Dimensions

Width - 80CM

Depth - 40CM

Height - 112CM

Important – Please read these instructions fully before starting assembly

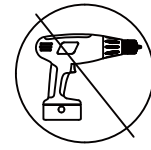


Safety and Care Advice

Important – Please read these instructions fully before starting assembly

- Check you have all the components and tools listed on the following pages.
- Remove all fittings from the plastic bags and separate them into their groups.
- Keep children and animals away from the work area, small parts could choke if swallowed.
- Make sure you have enough space to layout the parts before starting.

- During assembly do not stand or put weight on the product, this could cause damage.
- Assemble the item as close to its final position (in the same room) as possible.
- Assemble on a soft level surface to avoid damaging the unit or your floor.
- Parts of the assembly will be easier with 2 people.



- To reduce the likelihood of damaging your product please ensure that your power drill is set on a low torque setting.

Care and maintenance

- Only clean using a damp cloth and mild detergent, do not use bleach or abrasive cleaners.
- From time to time check that there are no loose screws on this unit.
- This product should not be discarded with household waste. Take to your local authority waste disposal centre.

Handy Hints

- Assemble all parts and bolts loosely during assembly, only once the product is complete should you fully tighten the bolts
 - Regularly check and ensure That all bolts and fittings are tightend properly.
- Note: If the product is damaged or parts are missing during transportation, we are really sorry for that, please contact us through buyer messages, we will help you out!
Wish it's a wondonful shopping for you!

WARNING



Children have died from furniture tipover.

To reduce the risk of furniture tipover:

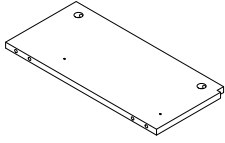
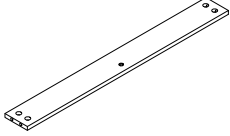
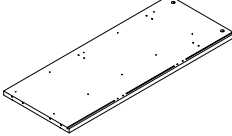
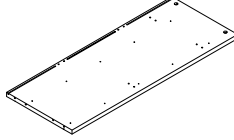

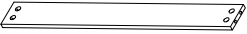
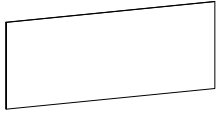
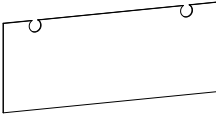
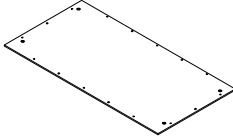
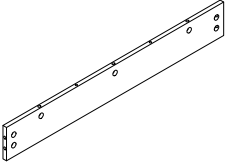
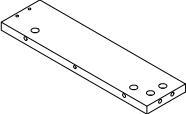
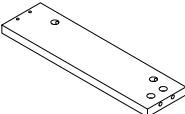
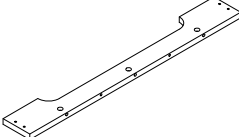
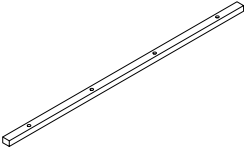
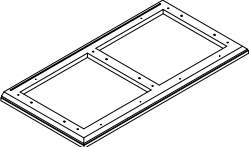
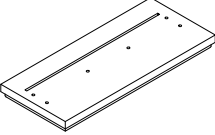
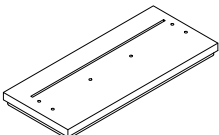
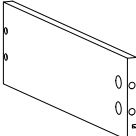
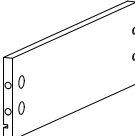


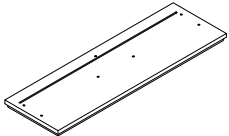
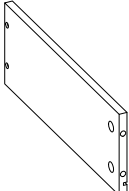
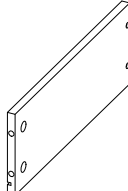
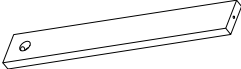

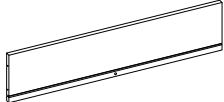
- ALWAYS install Anti-tip device provided.
- NEVER put a TV on this product.
- NEVER allow children to stand, climb or hang on drawers, doors, or shelves.
- NEVER open more than one drawer at a time.
- Place heaviest items in the lowest drawers.

This is a permanent label.

Do not remove!

Components - Panels

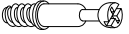


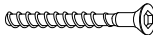


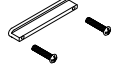



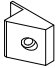

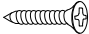
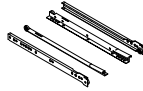
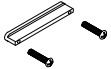

Please check you have all the panels listed below

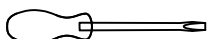
 <p>1 PC</p>	 <p>2 PCS</p>	 <p>1 PC</p>	 <p>1 PC</p>	 <p>2 PCS</p>
 <p>1 PC</p>	 <p>2 PCS</p>	 <p>1 PC</p>	 <p>1 PC</p>	 <p>1 PC</p>
 <p>1 PC</p>	 <p>1 PC</p>	 <p>1 PC</p>	 <p>1 PC</p>	 <p>1 PC</p>
 <p>1 PC</p>	 <p>1 PC</p>	 <p>2 PCS</p>	 <p>2 PCS</p>	 <p>2 PCS</p>
 <p>2 PCS</p>	 <p>4 PCS</p>	 <p>4 PCS</p>	 <p>4 PCS</p>	 <p>4 PCS</p>
 <p>4 PCS</p>	 <p>4 PCS</p>			

Components - Fittings

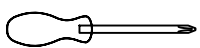
Please check you have all the panels listed below

Note: The quantities below are the correct amount to complete the assembly. In some cases more fittings may be supplied than are required.

A  Male Camlock x 72	B  Female Camlock x 72	C  Dowel x 18
D  6.8*48mm Screw x 6	E  Protective Feet x 8	F  4*30mm Screw x 28
G  Handle & Fixings x 4	H  4*25mm Screw x 4	I  Wall Fixing Pack x 2
J  Ø20 Sticker x 32	K  Plasticwedge x12	L  3*17mm Screw x 12
M  3*12mm Screw x 72	N  Drawer slider 14" X 6	O  Handle & Fixings x 2
 M4 x 1		



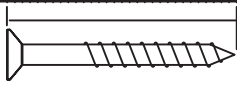
Tools required



Phillips screwdriver
(medium & large)

Ruler - Use this ruler to help correctly identify the screws

0 5 10 15 20 25 30 35 40 45 50 55 60 65 70 75 80 85 90 95 100 105 110 115 120 125 130 135 140 145 150 155 160 165 170



The screws length is measured from the head to the point (35mm screw shown).

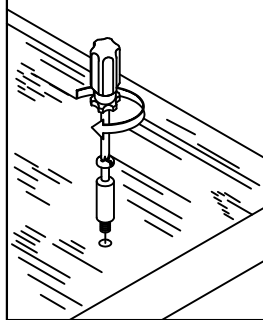
Using Camlocks

Step 1

Connect the male camlock as directed in the assembly instructions using a screwdriver.

1

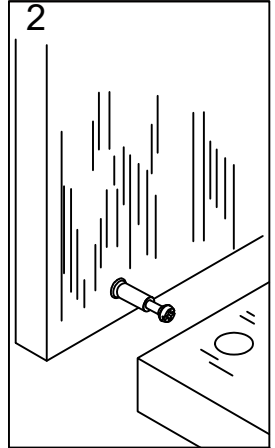
DO NOT OVER TIGHTEN.
NE PAS SERRER EXCESSIVEMENT.



Step 2

Push the male camlock into the entry hole.

2

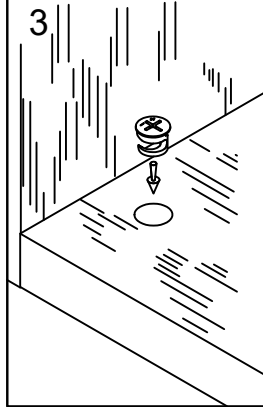


Step 3

Insert the female camlock as shown in the instruction.

Note: ensure that the arrow on the top of the camlock points towards the entry hole for the male camlock.

3



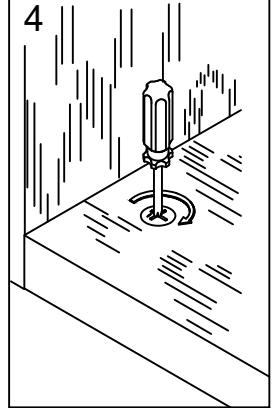
Step 4

Turn the female camlock clockwise with a screwdriver.

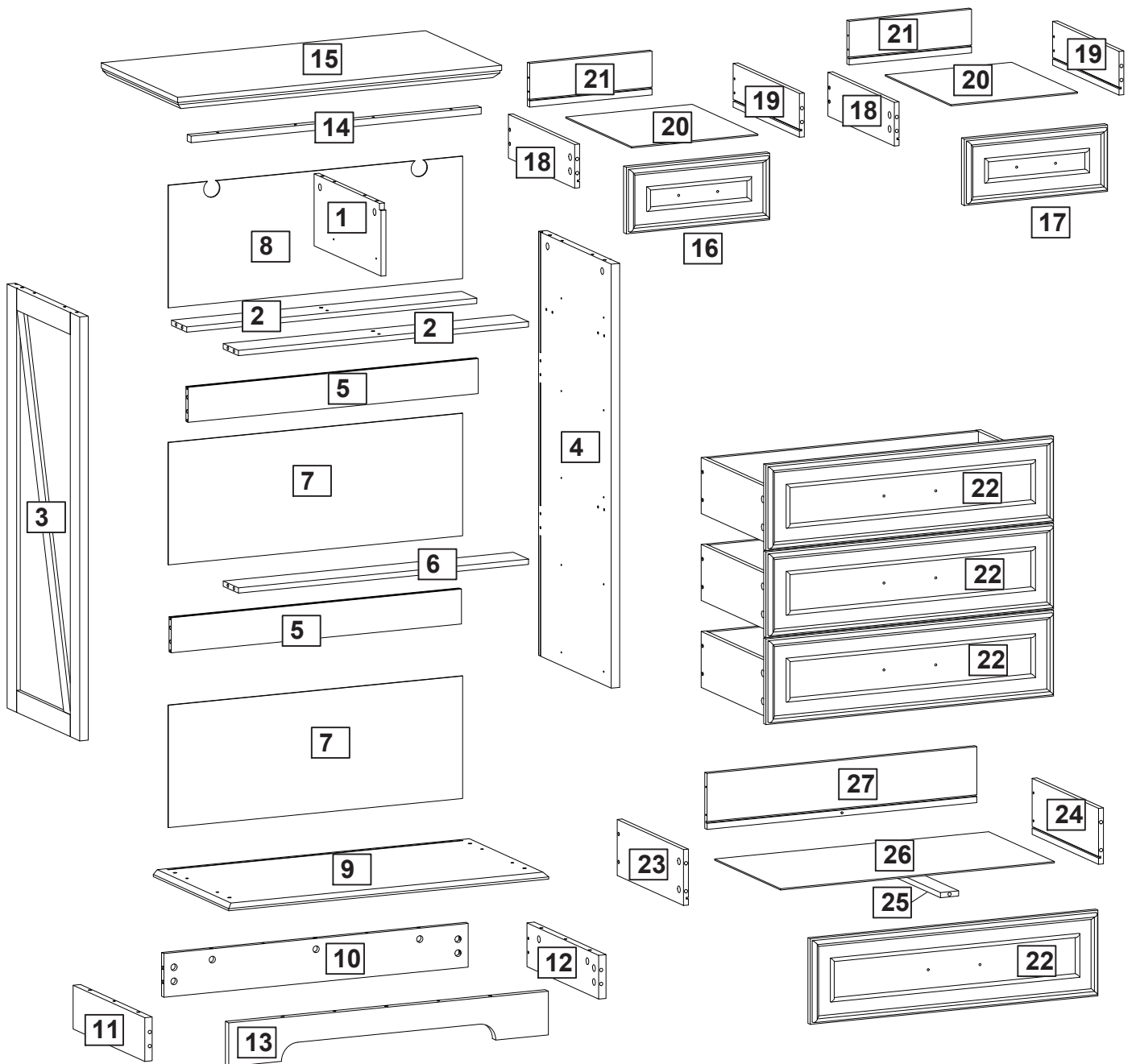
You should feel a click when the camlock is locked in place.

The joint is now secure.

4

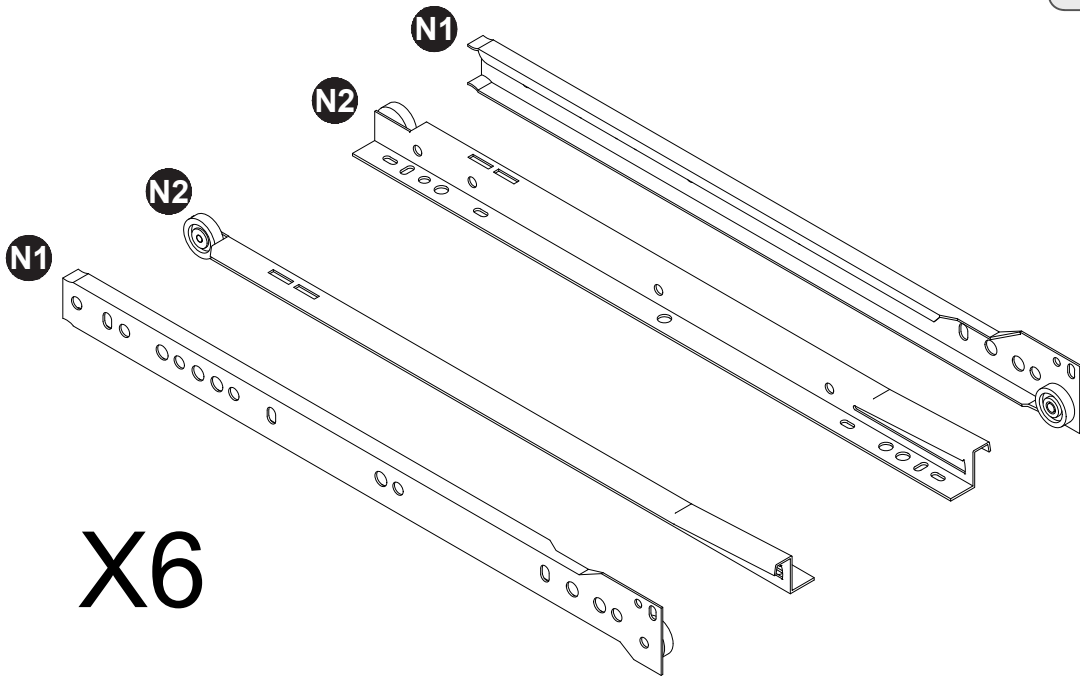
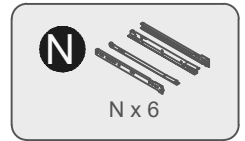


Assembly Instructions

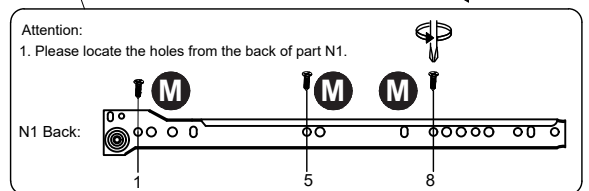
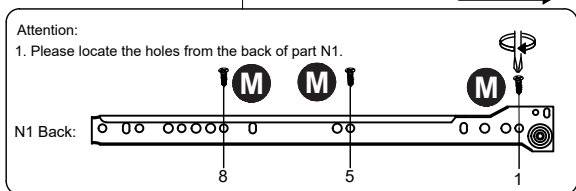
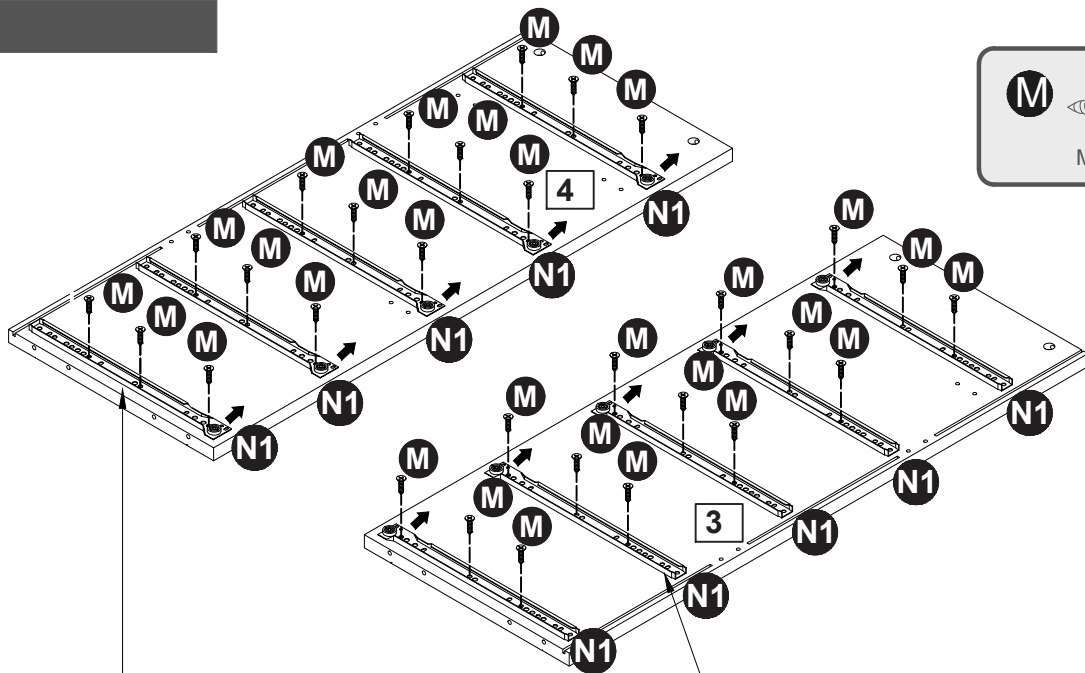
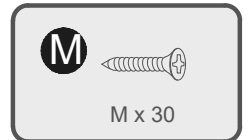


Assembly Instructions

Step 1

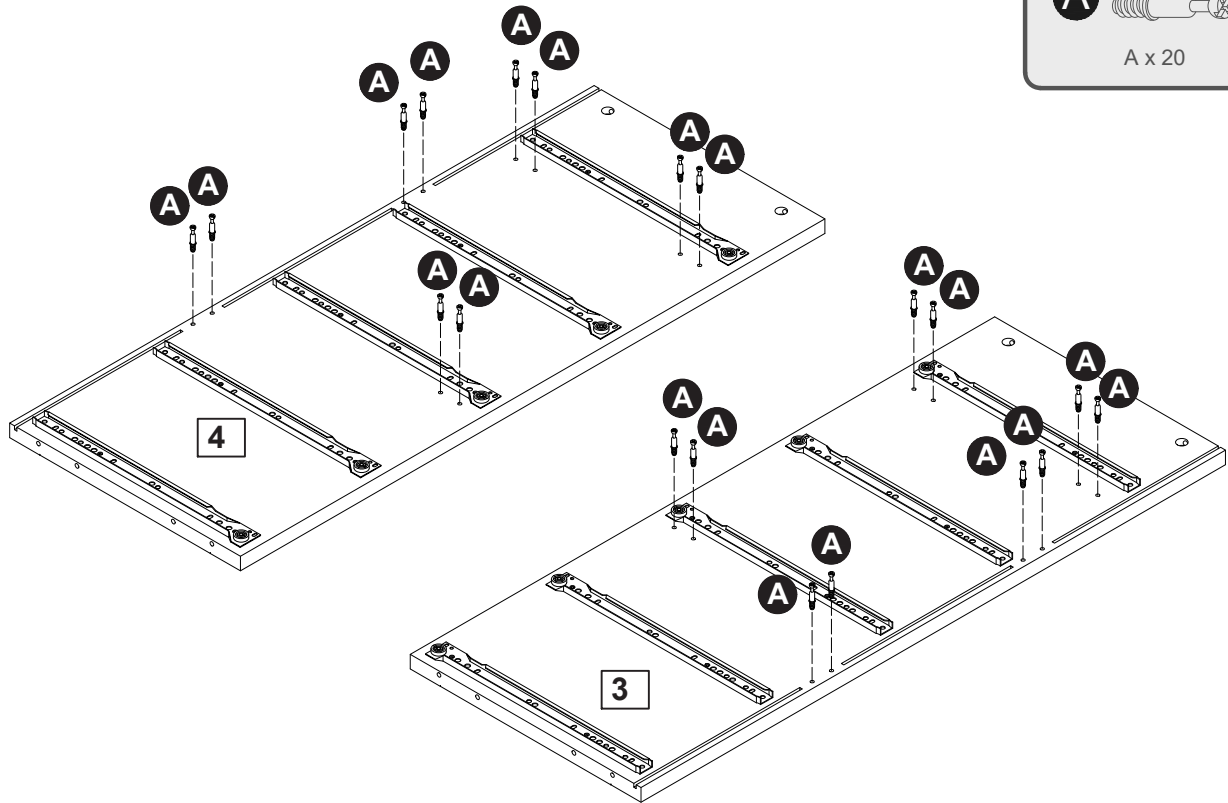


Step 2

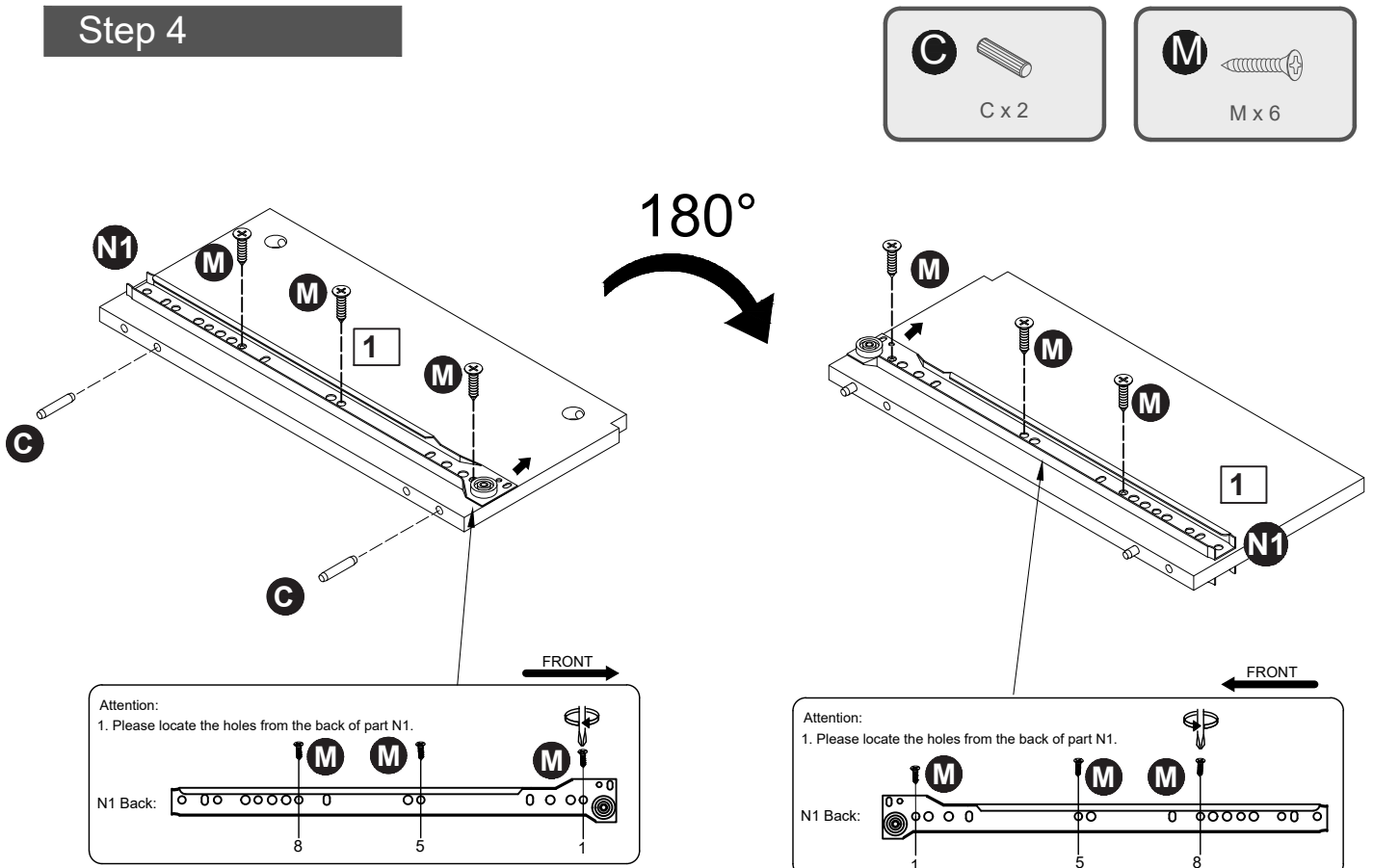


Assembly Instructions

Step 3

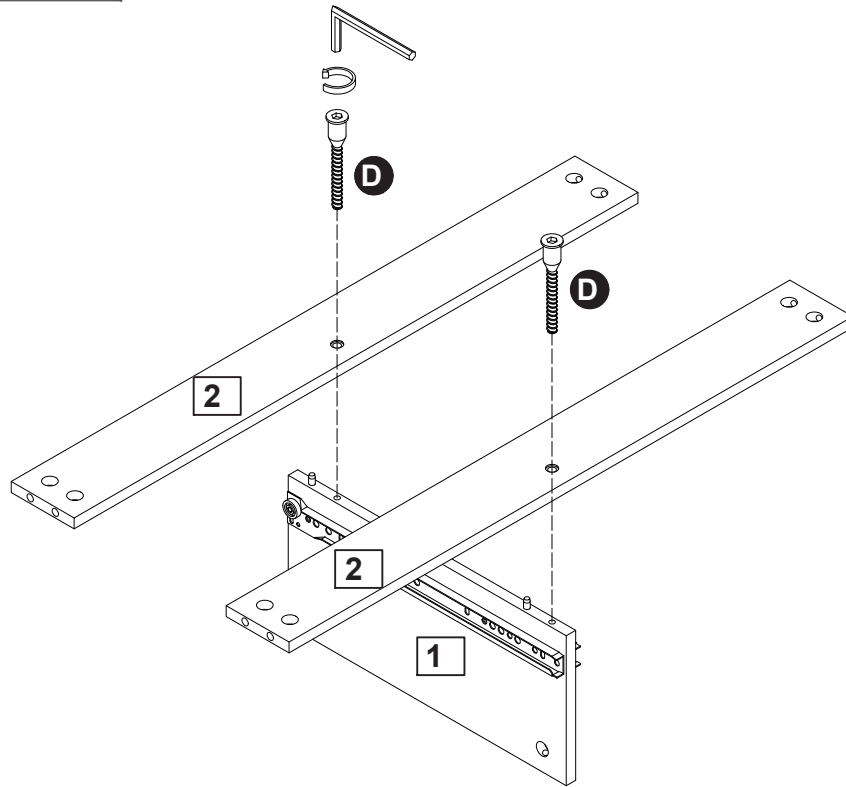


Step 4

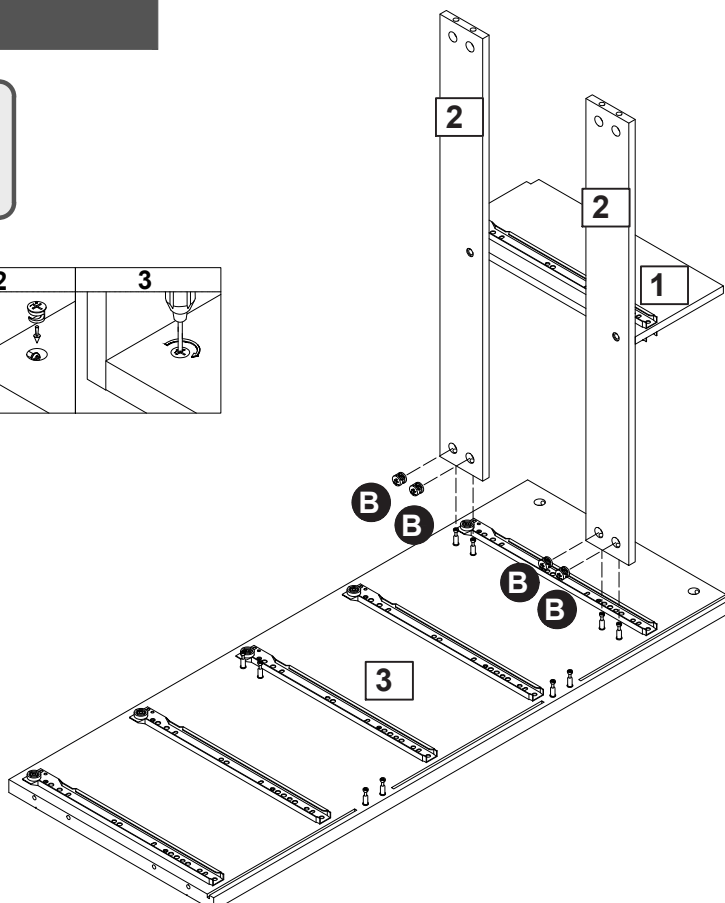
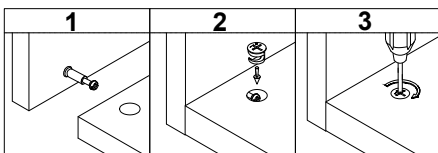


Assembly Instructions

Step 5



Step 6



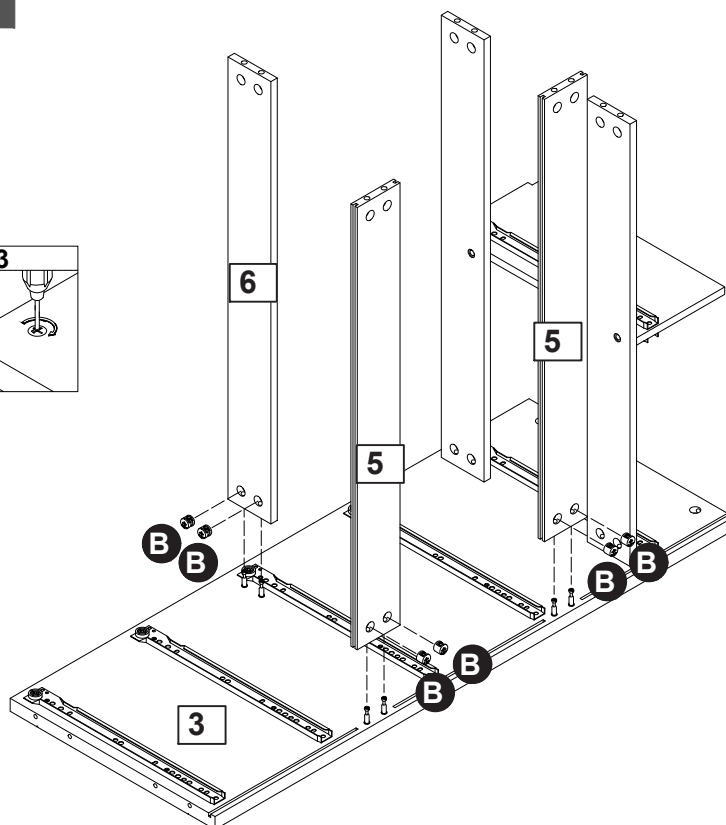
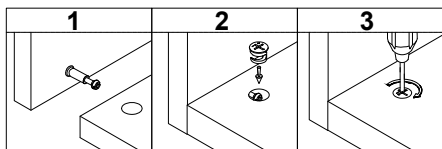
Assembly Instructions

Step 7

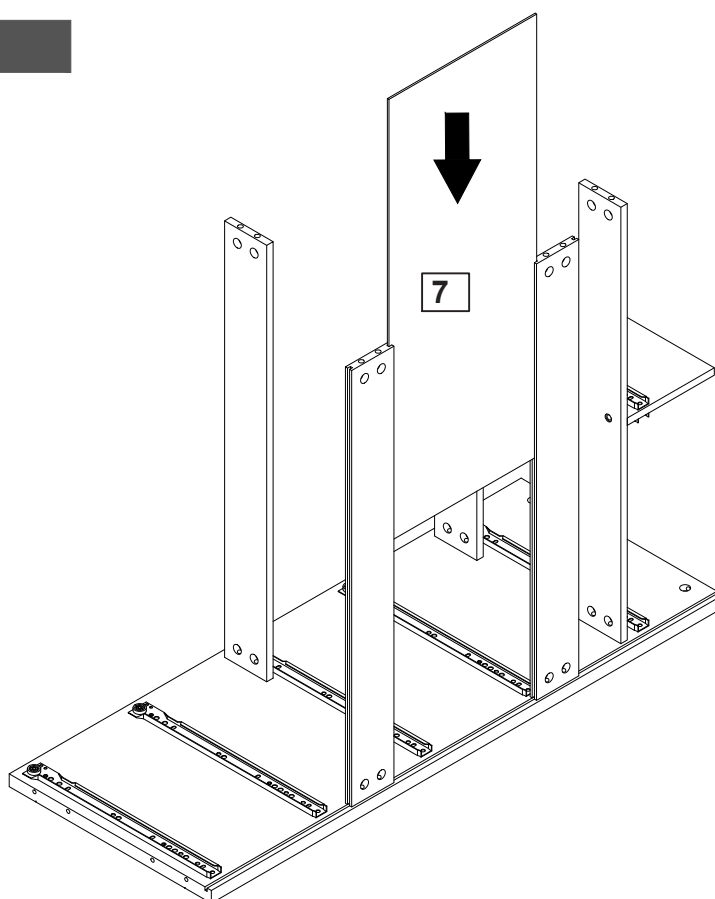
B



B x 6

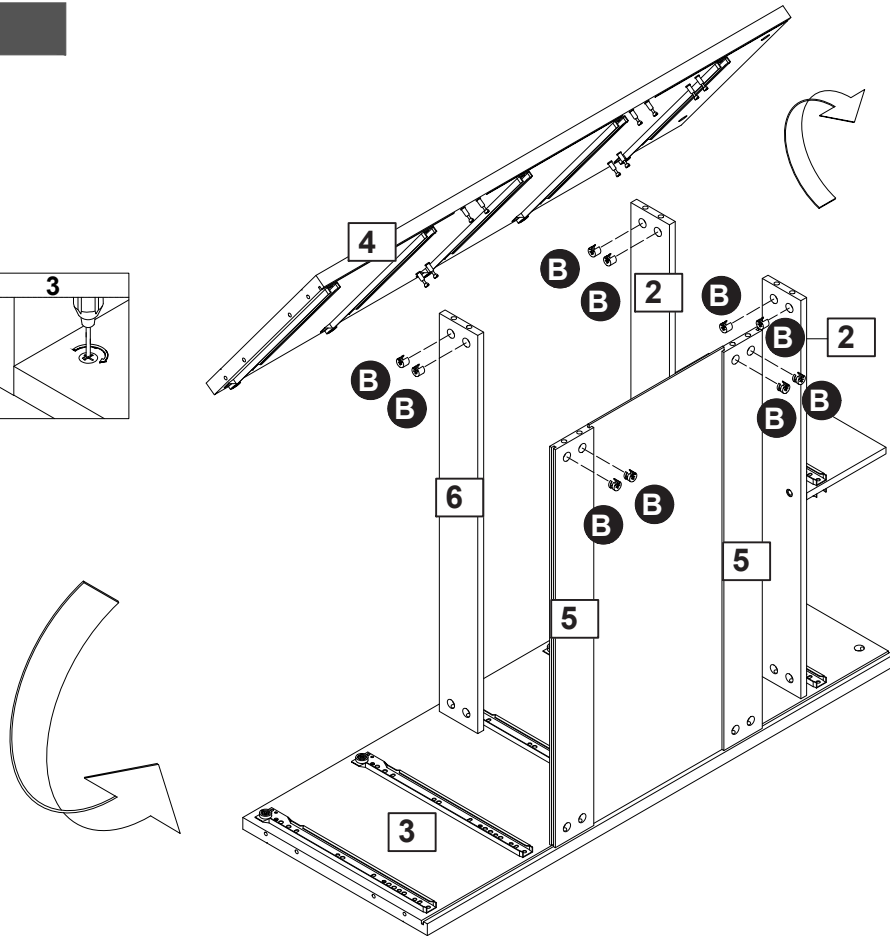
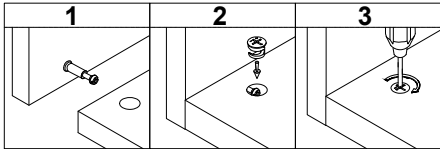
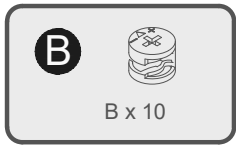


Step 8

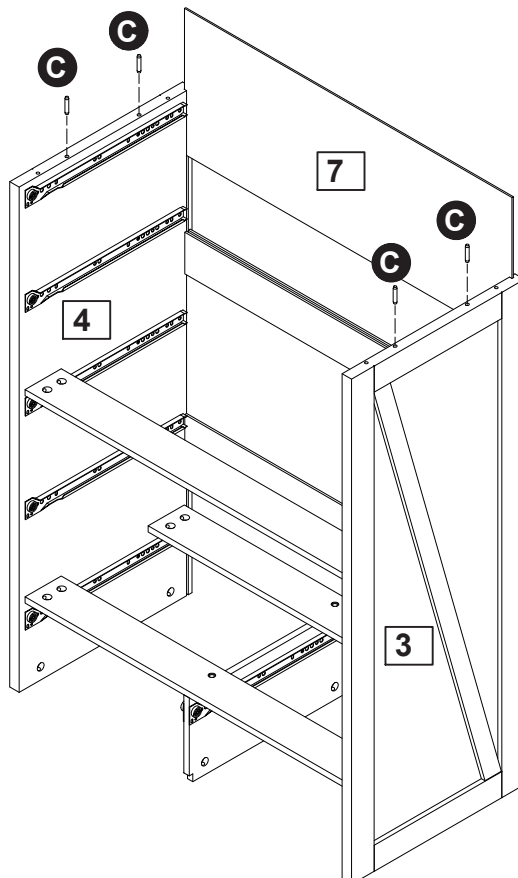
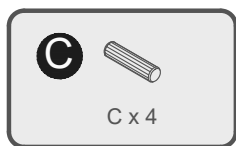


Assembly Instructions

Step 9

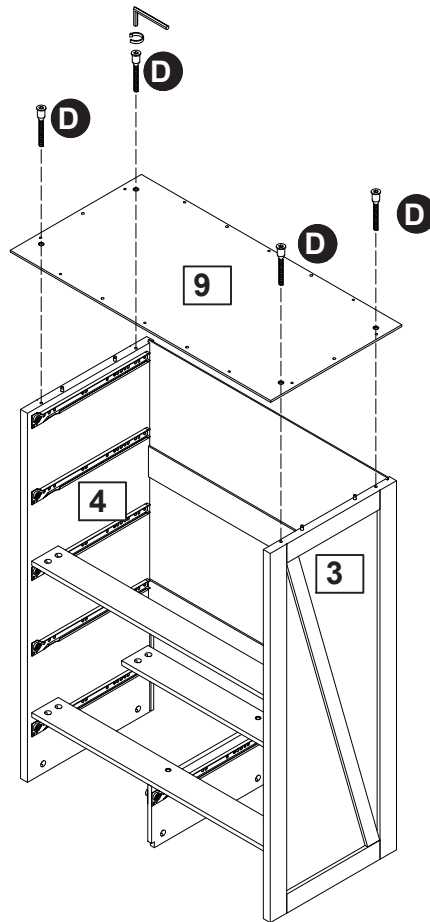


Step 10

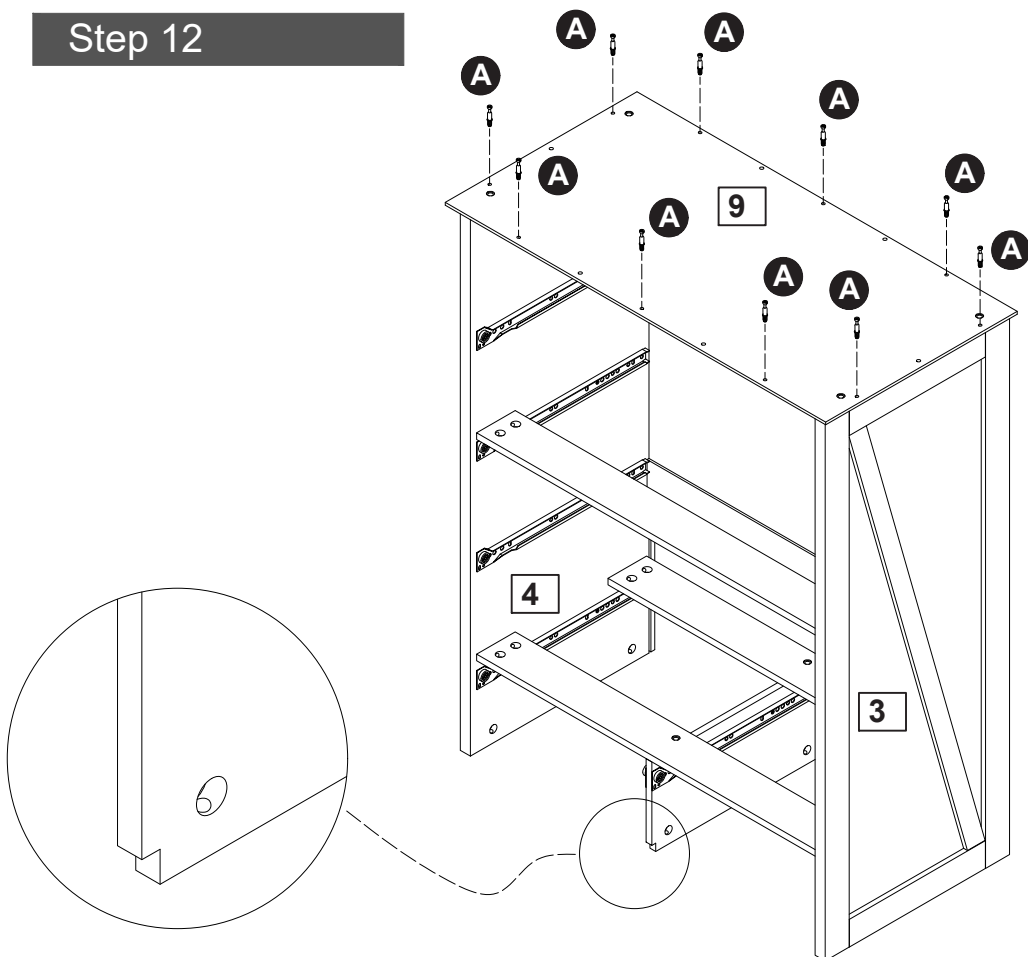
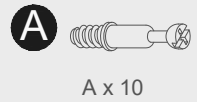


Assembly Instructions

Step 11

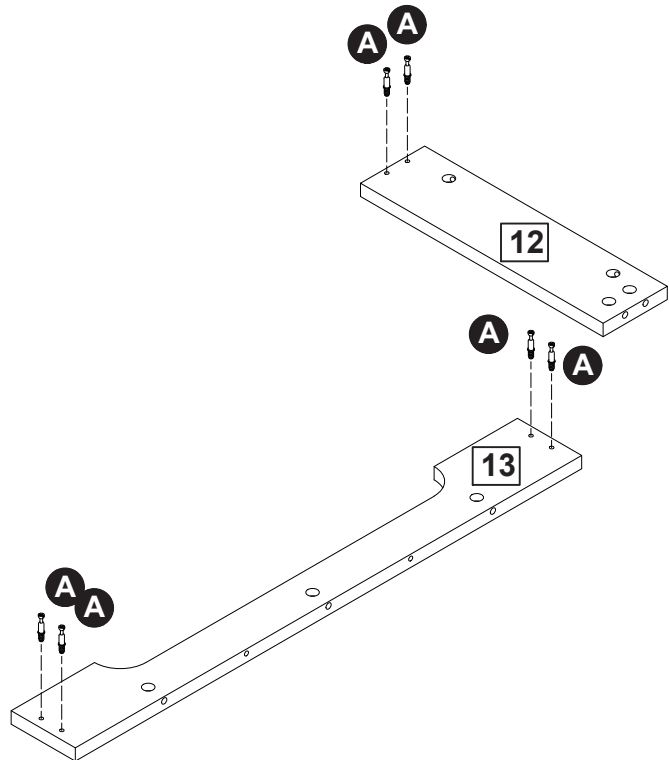
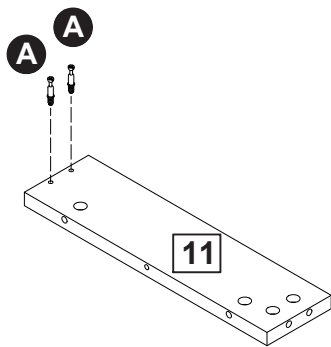
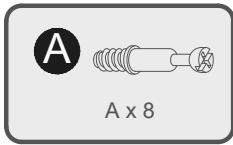


Step 12

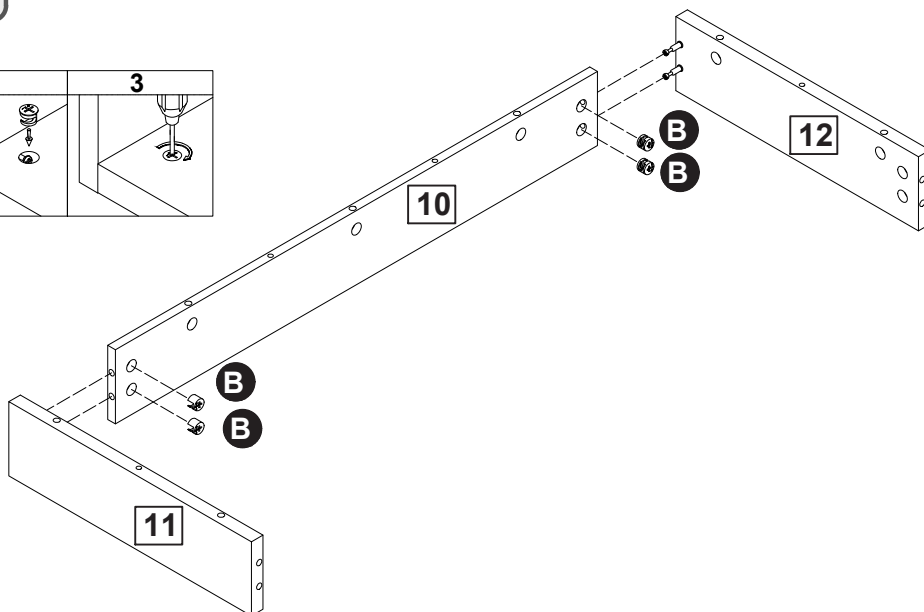
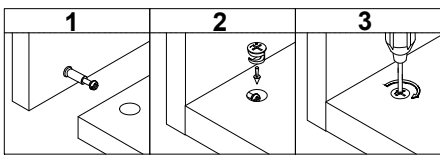


Assembly Instructions

Step 13

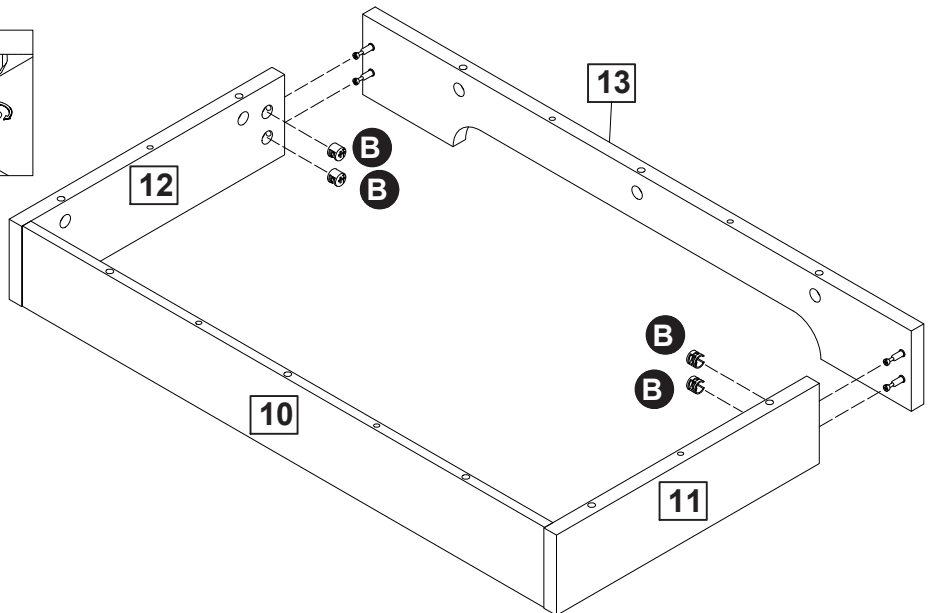
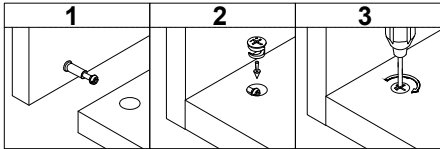


Step 14

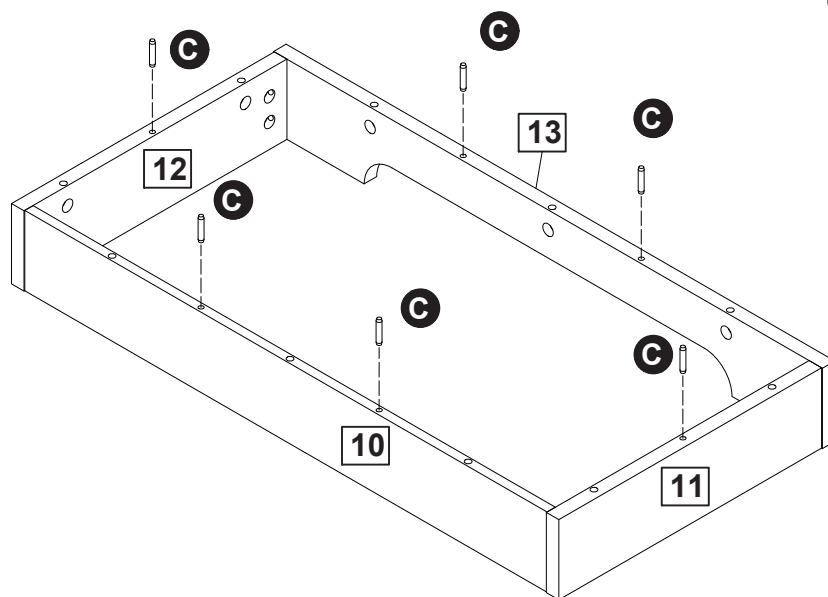
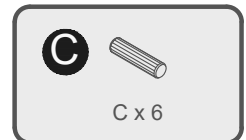


Assembly Instructions

Step 15

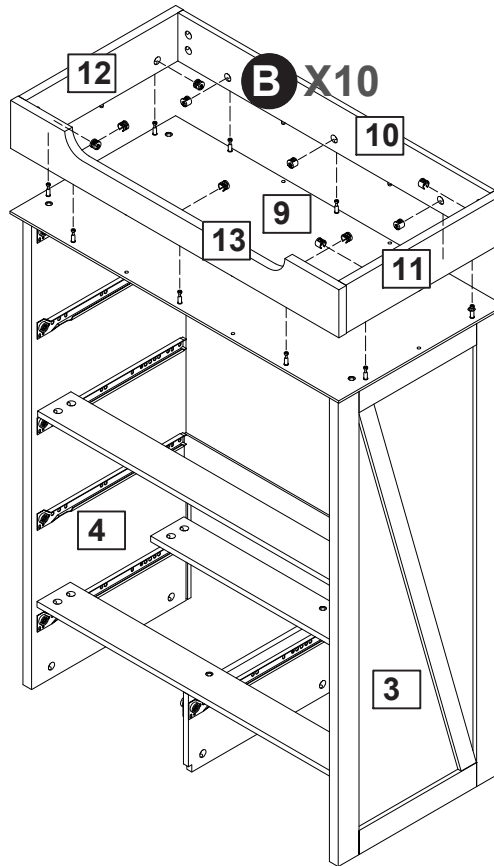
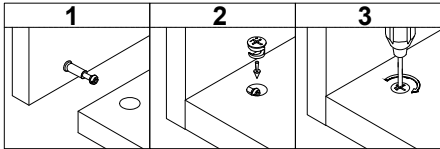


Step 16

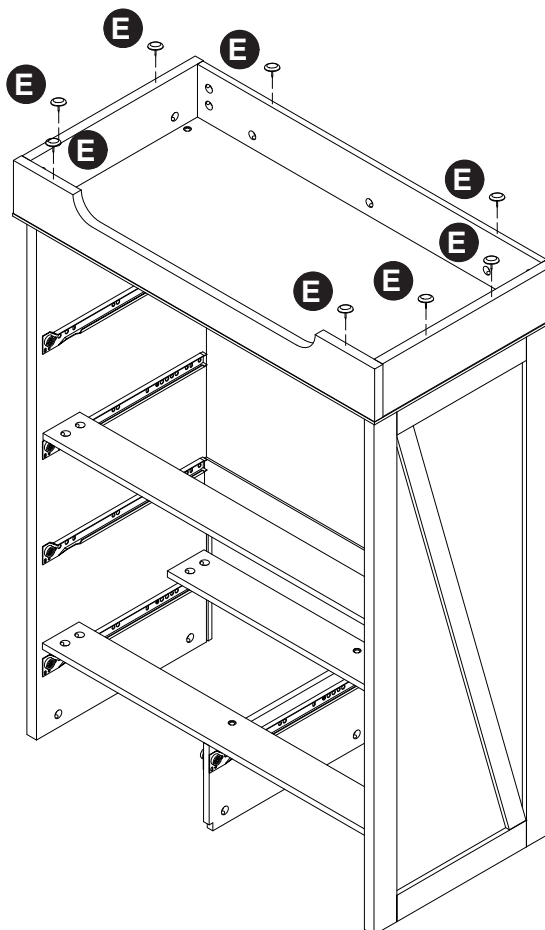
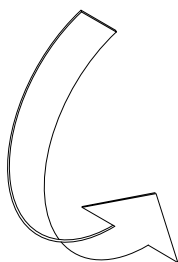
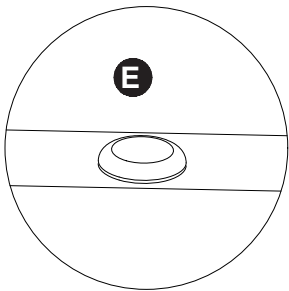


Assembly Instructions

Step 17

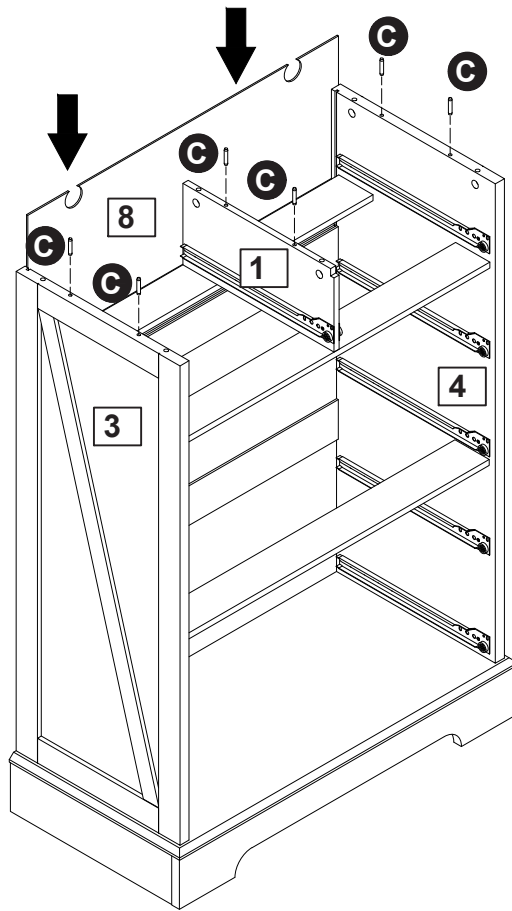


Step 18

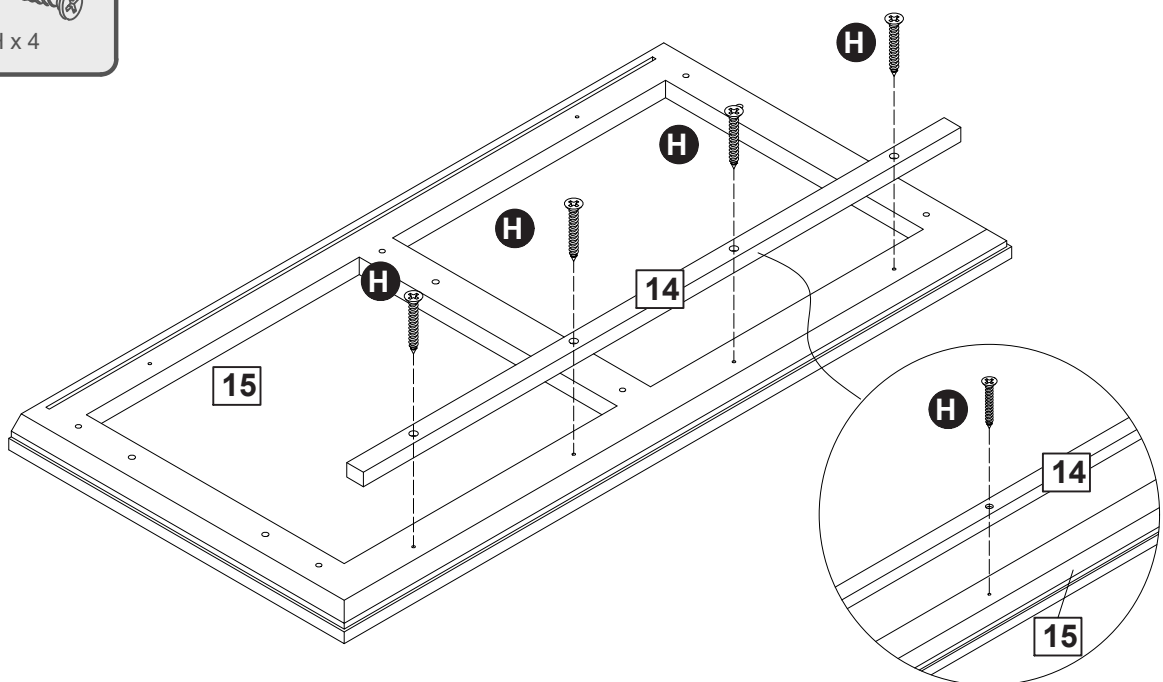


Assembly Instructions

Step 19

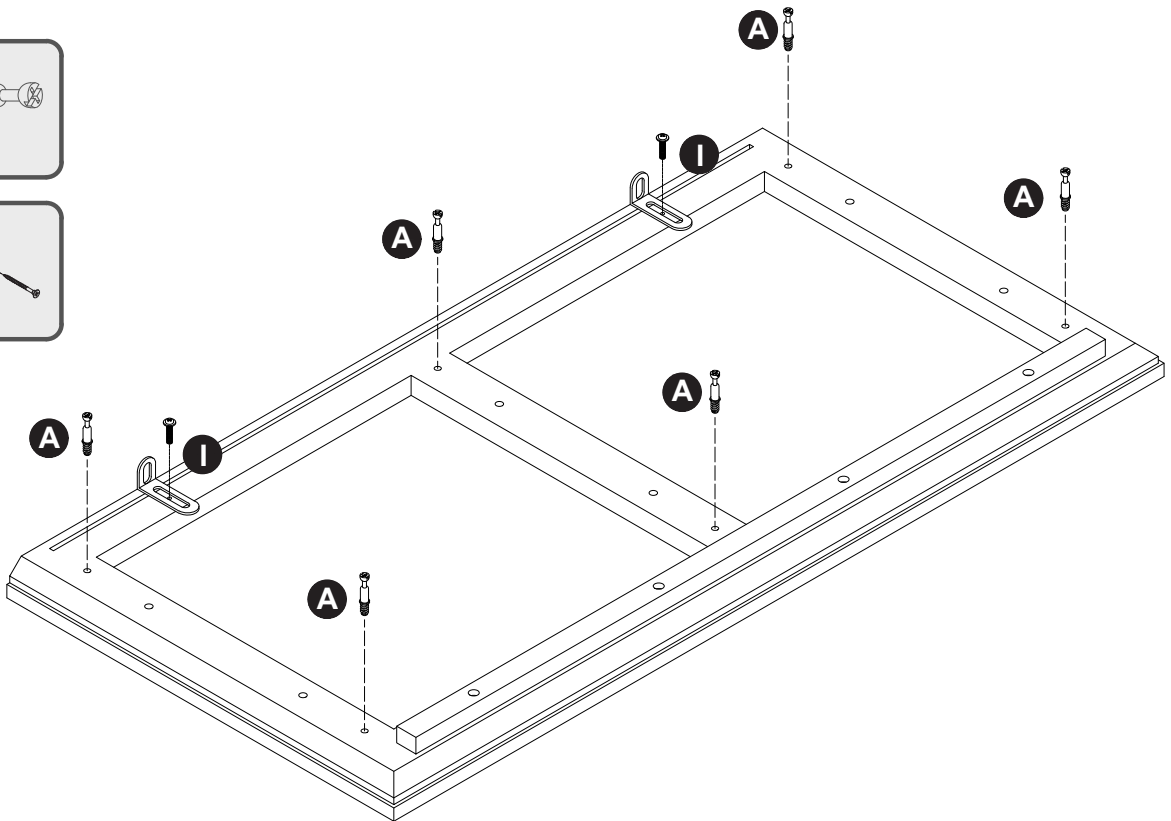
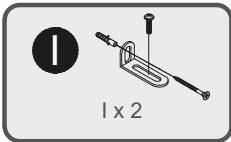
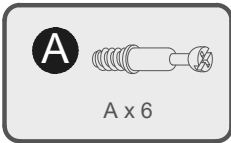


Step 20

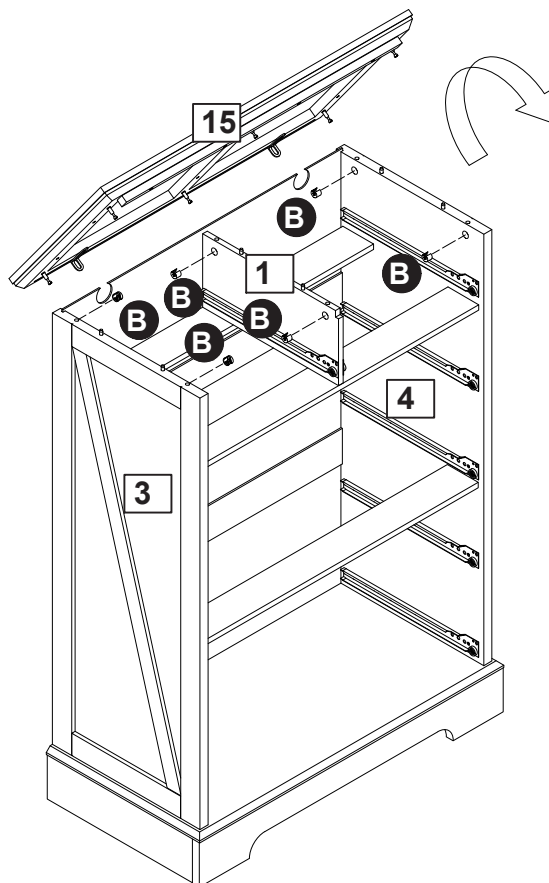
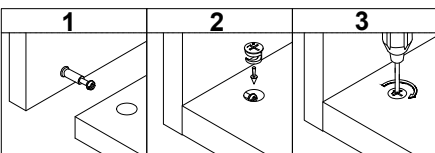


Assembly Instructions

Step 21

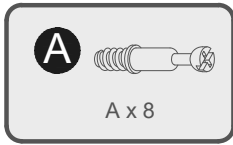


Step 22

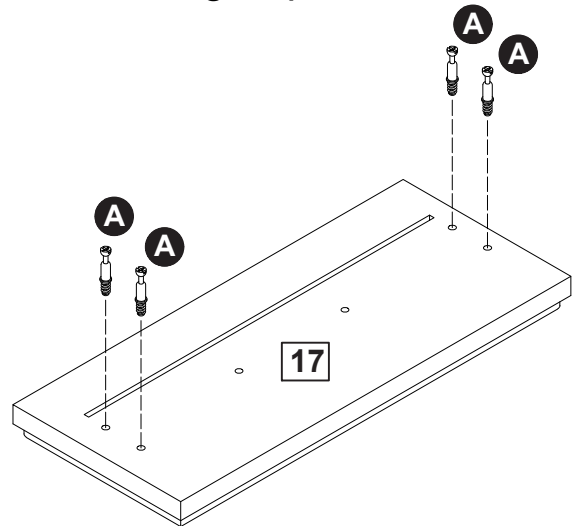
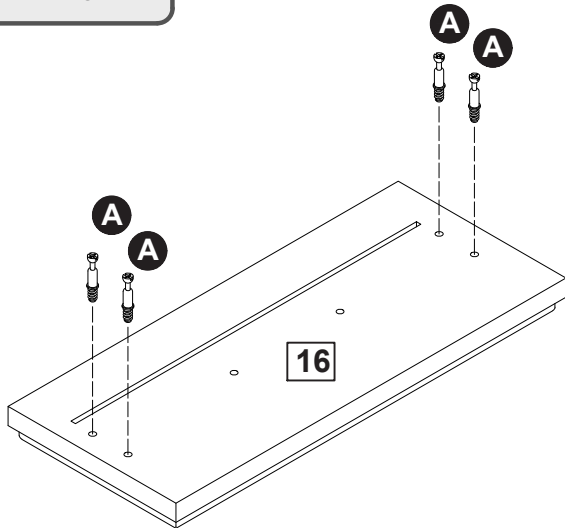


Assembly Instructions

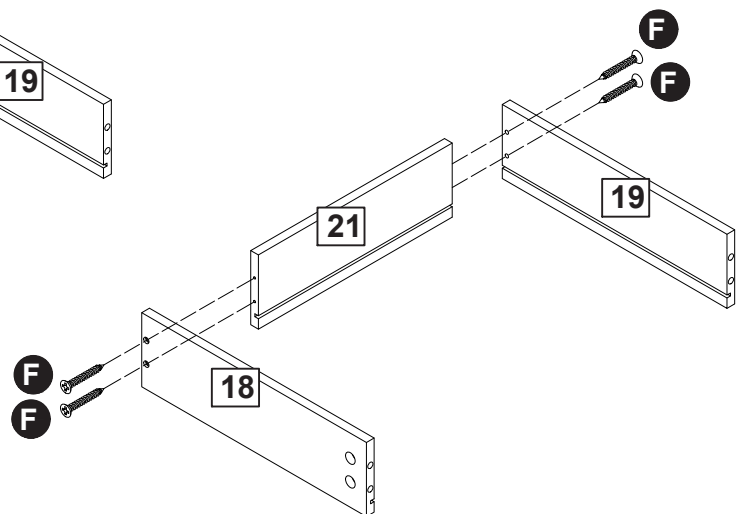
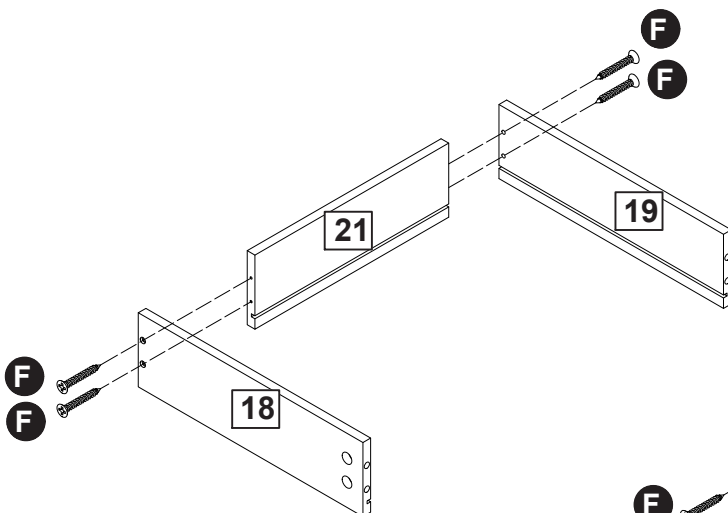
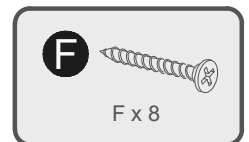
Step 23



Note: Steps 23-34 are drawer groups!

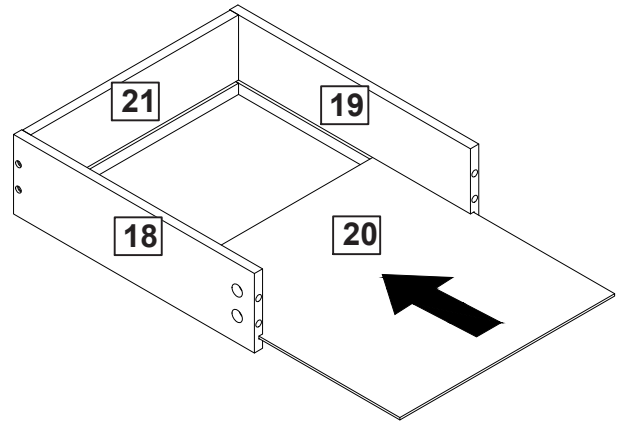
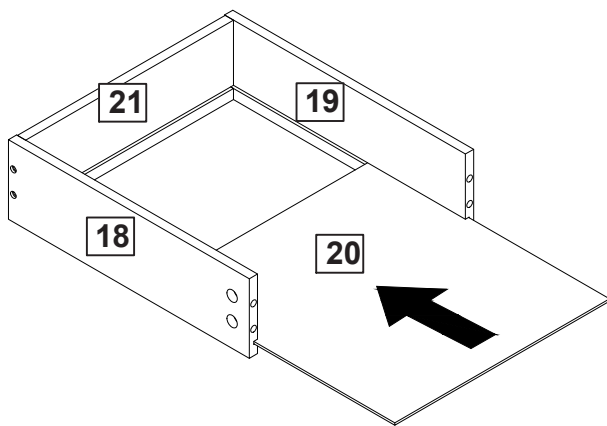


Step 24

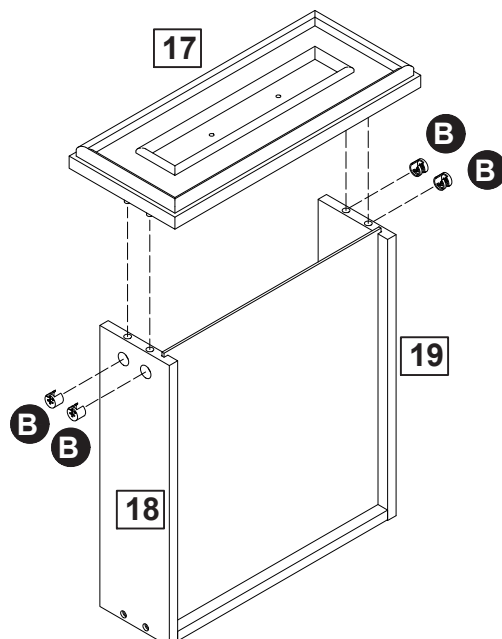
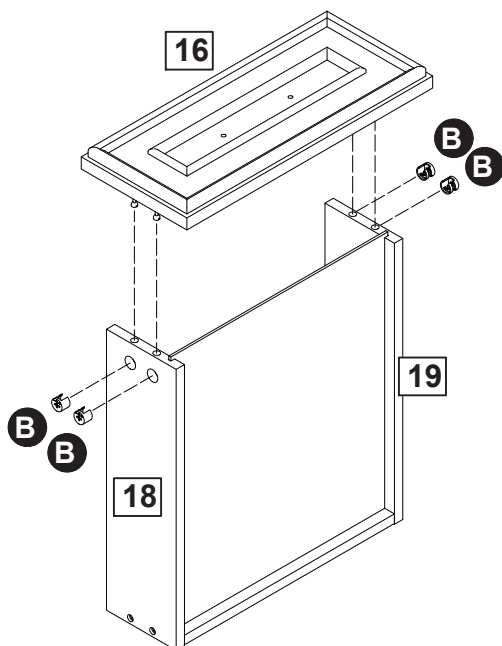
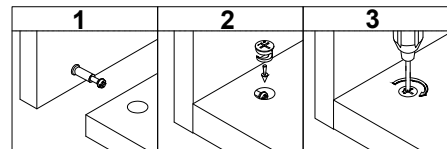
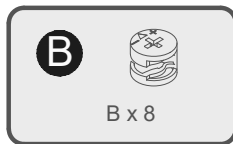


Assembly Instructions

Step 25

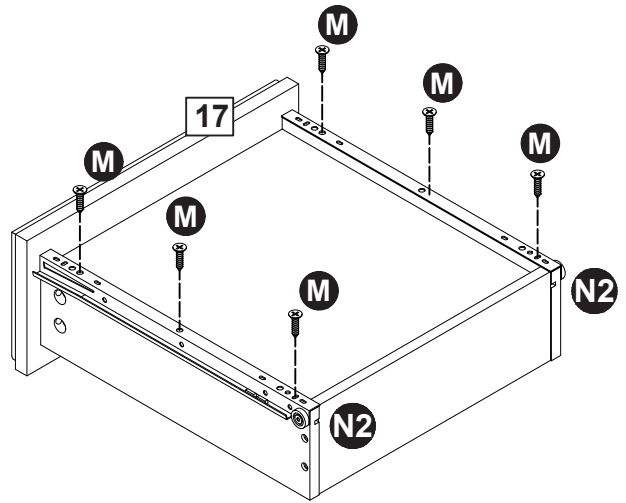
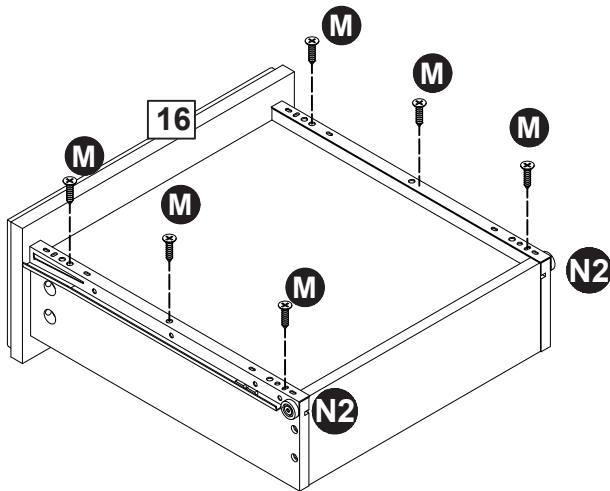
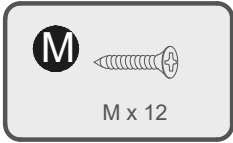


Step 26

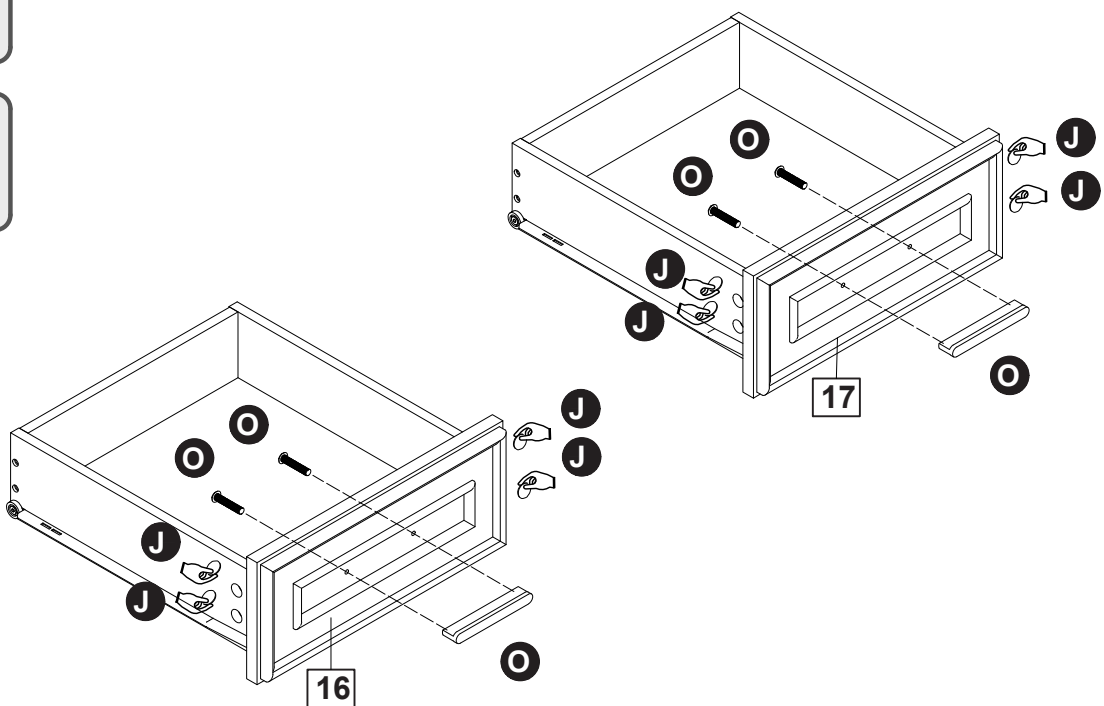
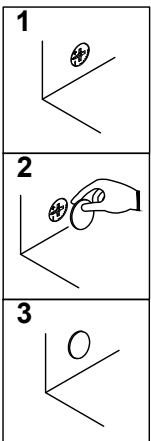
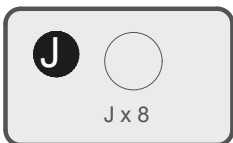
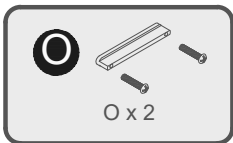


Assembly Instructions

Step 27

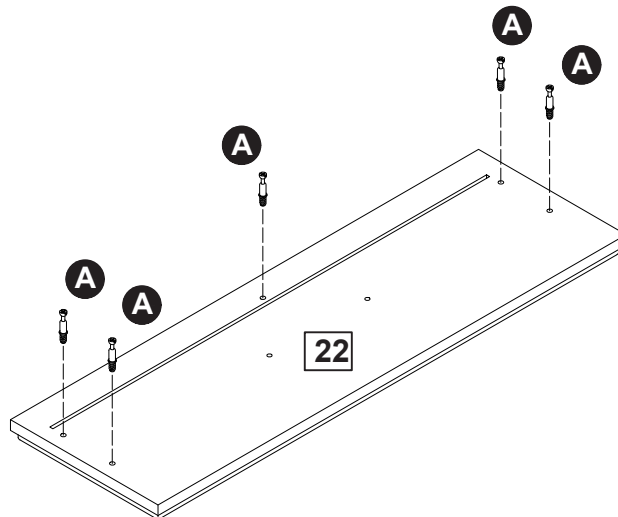
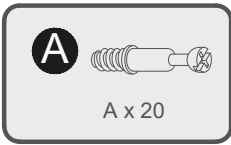


Step 28



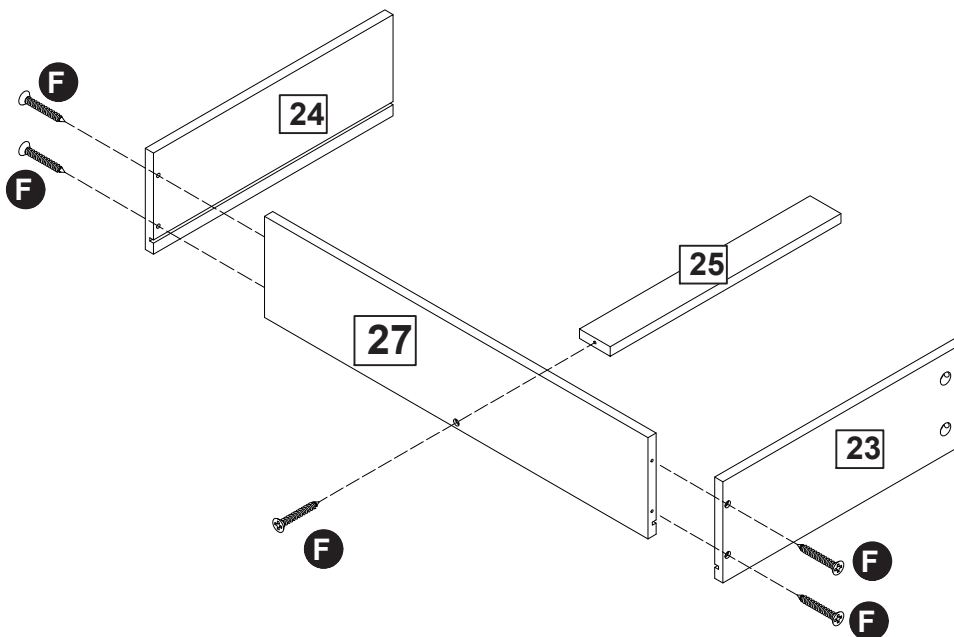
Assembly Instructions

Step 29



X4

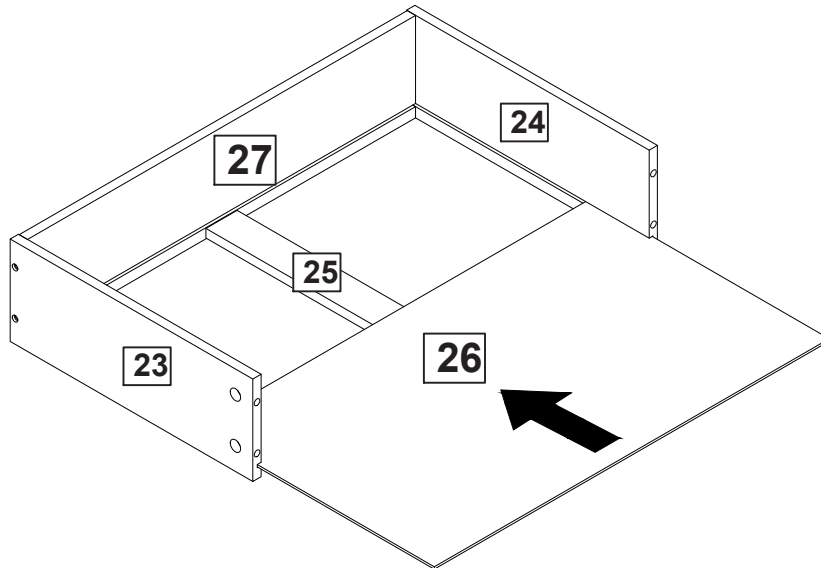
Step 30



X4

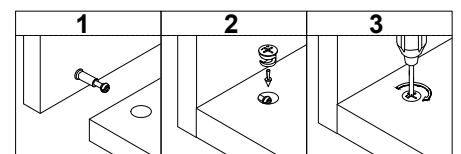
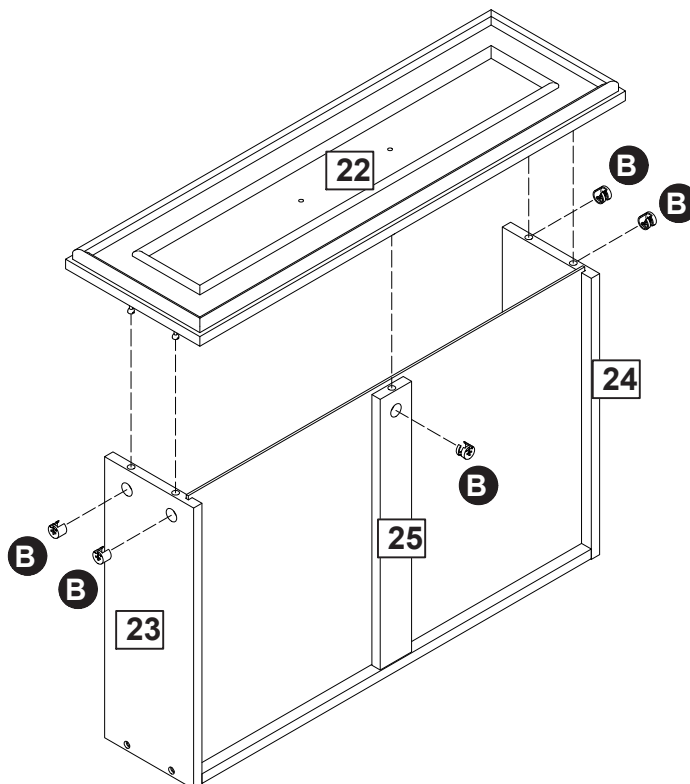
Assembly Instructions

Step 31



X4

Step 32



X4

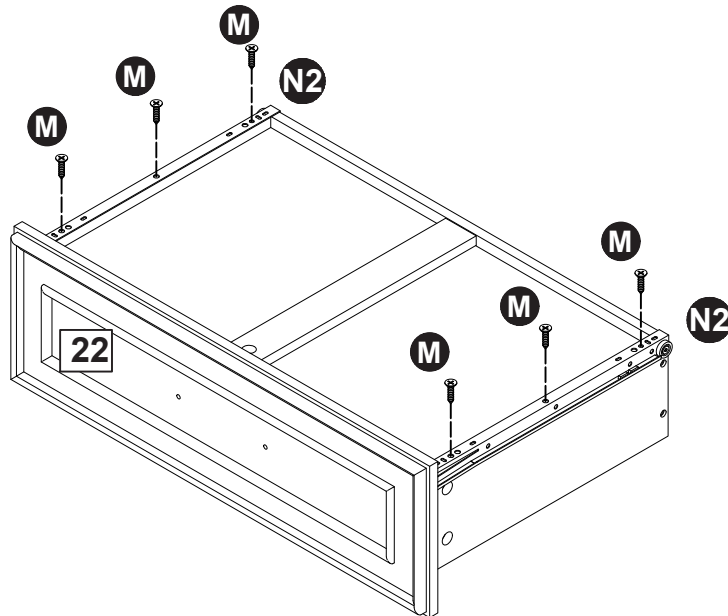
Assembly Instructions

Step 33

M



M x 24



X4

Step 34

G



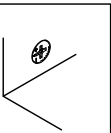
G x 4

J



J x 16

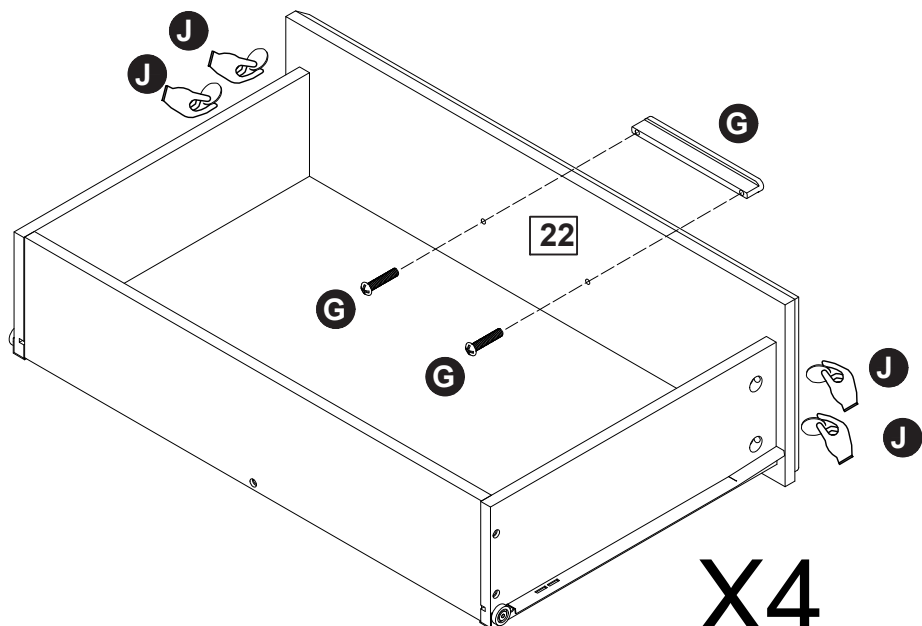
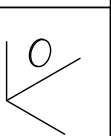
1



2



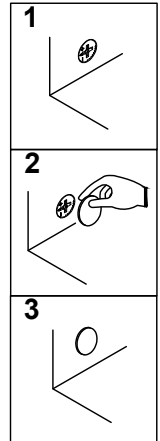
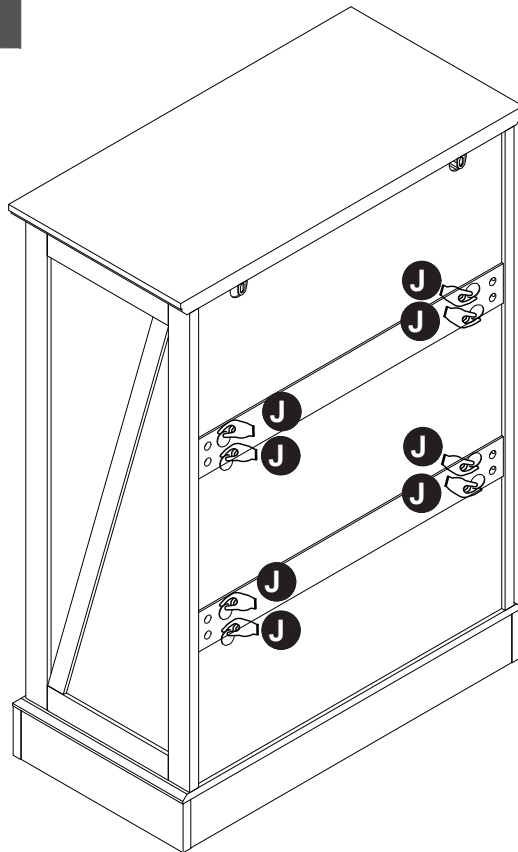
3



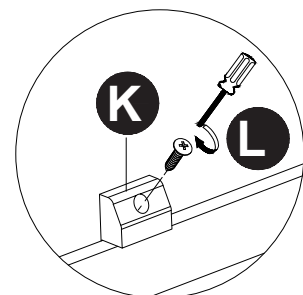
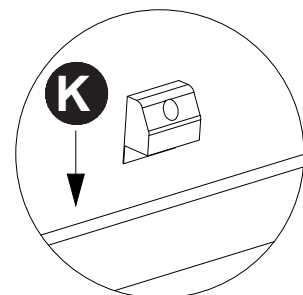
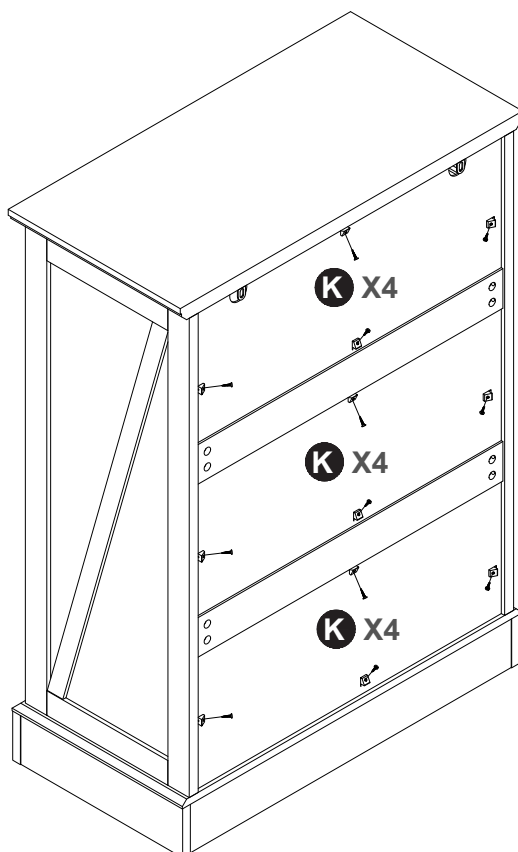
X4

Assembly Instructions

Step 35



Step 36

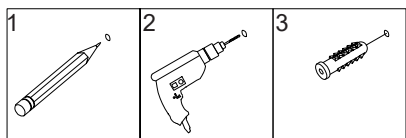
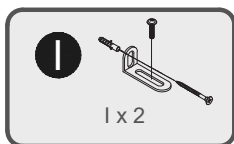
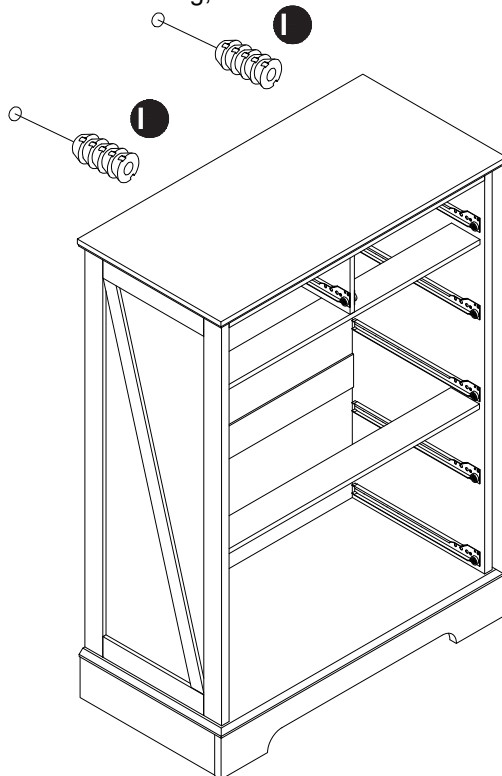


Assembly Instructions

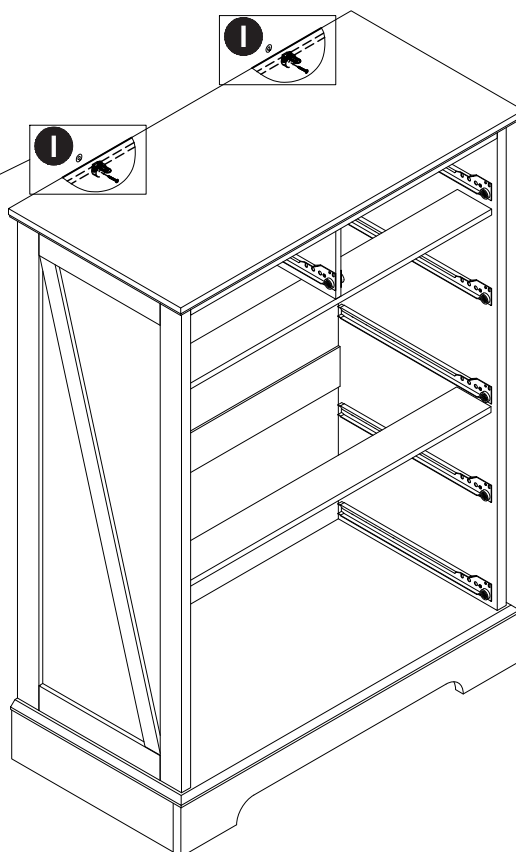
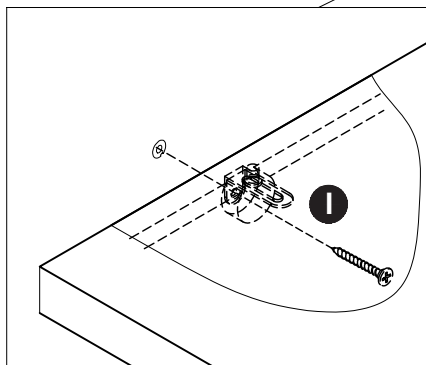
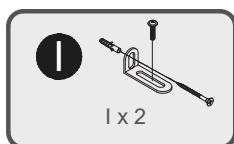
Step 37

WARNING

Serious or fatal injuries can occur from furniture tipping over. To prevent the furniture from tipping over we recommend that it is permanently fixed to the wall. Wall anchor and hardware are included with this product. Please make sure hardware is suitable for your walls before installing, as different wall materials may require different types of anchors.



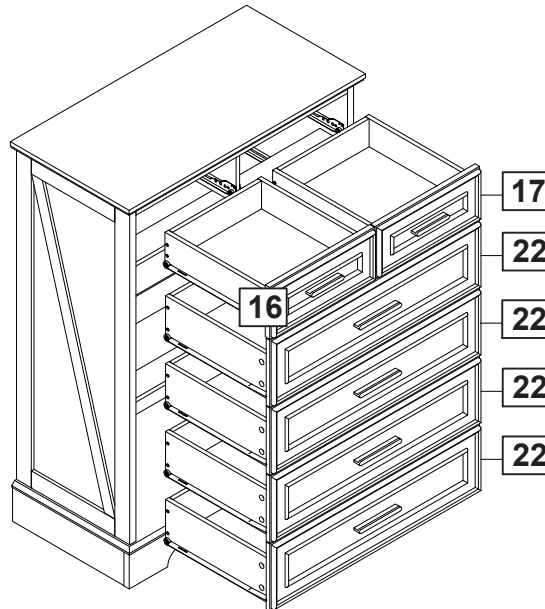
Step 38



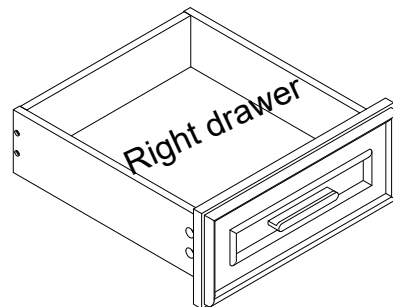
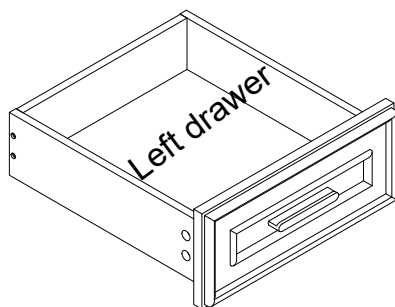
Assembly Instructions

Step 39

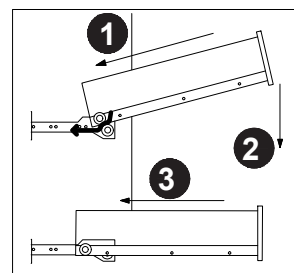
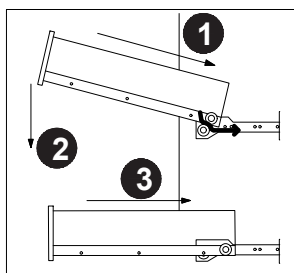
Congratulation! You've made to the last step! But don't be too thrilled yet, put on the drawer can be frustrating if you do it wrong. So, take your time and follow the steps below.



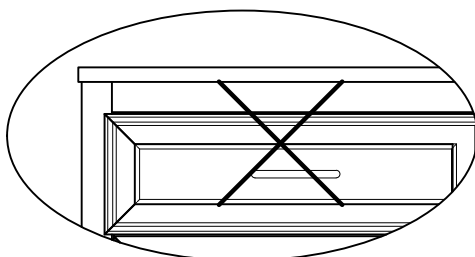
1. Make sure that you have right and left drawers sorted out first, because the drawer panel may cover the side if the right drawer is on the left side, vice versa.



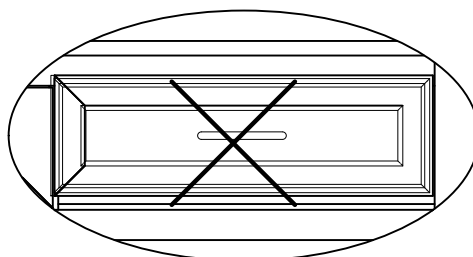
2. Please ensure that you have matched the wheels on BOTH sides of the drawer with the wheels on rails installed BEFORE push in the drawer.



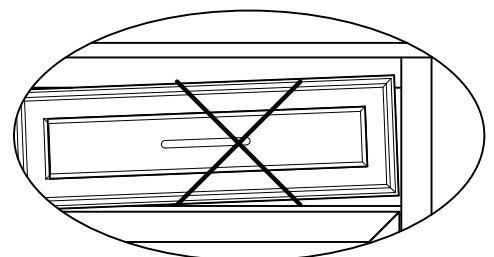
3. If the following occurs, redo the first two steps.



(drawer is on the wrong side)



(both wheels are off the rails)



(one wheel is off the rail)

Assembly Instructions

Step 40



Assembly is complete.

A Guide to Wall Mounting & Fixings

Important note:

If plastic wall plugs (rawl plugs) are supplied with your product, e.g.:



- these are only suitable for use in masonry walls.

If you are in any doubt about the correct wall plugs for your wall, seek professional advice.


Failure of the product due to using the incorrect fixings is the responsibility of the installer.



Important: when drilling into walls always check that there are no hidden wires or pipes etc.

Make sure that the screws and wall plugs being used are suitable for **supporting your unit**. **Consult a qualified tradesperson if you are unsure.**

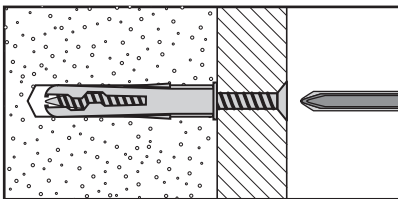
Hints:

- 1: General rule:  always use a larger screw and wall plug if you are not sure.
- 2: Ensure you use the recommended drill bit to match the wall plug and hole size.
- 3: Ensure you drill the hole horizontally; do not force the drill or enlarge the hole.
- 4: Take extra care when drilling high walls, ceilings and ceramic tiles. Ensure wall plugs are inserted beyond the thickness of the ceramic tiles to avoid the tiles splitting or cracking.
- 5: Ensure wall plugs are well fitted and are a tight fit in the drilled hole.

Types of walls

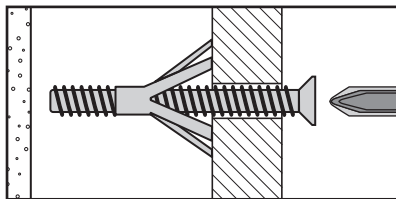
You can use one of the following types of wall plug if your walls are made of brick, breeze block, concrete, stone or wood.

No.1 "General Purpose" wall plug



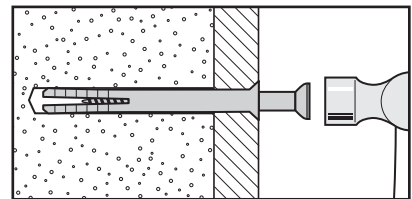
Generally aerated blocks should not be used to support heavy loads, use a specialist fitting in this case. For light loads, general purpose wall plugs can be used.

No.3 "Cavity Fixing" wall plug



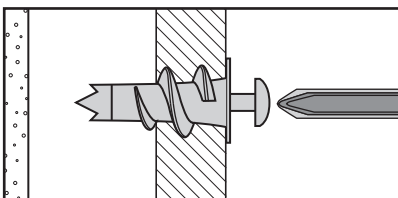
For use with plasterboard partitions or hollow wooden doors.

No.5 "Hammer Fixing" wall plug



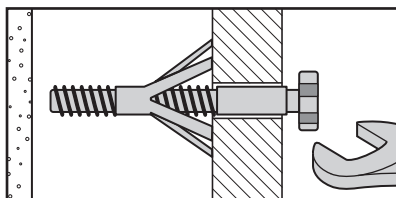
For use with walls stuck with plasterboard. The hammer fixing allows it to be fixed to the wall rather than the plasterboard. Always check the fixing is secure to the retaining wall.

No.2 "Plasterboard" wall plug



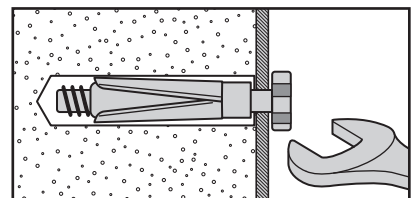
For use when attaching light loads onto plasterboard partitions.

No.4 "Cavity Fixing - Heavy Duty" wall plug



For use when fitting or supporting heavy loads such as shelving, wall cabinets and coat racks.

No.6 "Shield Anchor" wall plug - heavy loads



For use with heavier loads such as TV and HiFi speakers and satellite dishes etc.



Care & Maintenance

Safety: always check the fitting and location to ensure your safety in and around the home.

Fitting: from time to time check the fitting to ensure the wall plugs or screws do not become loose.