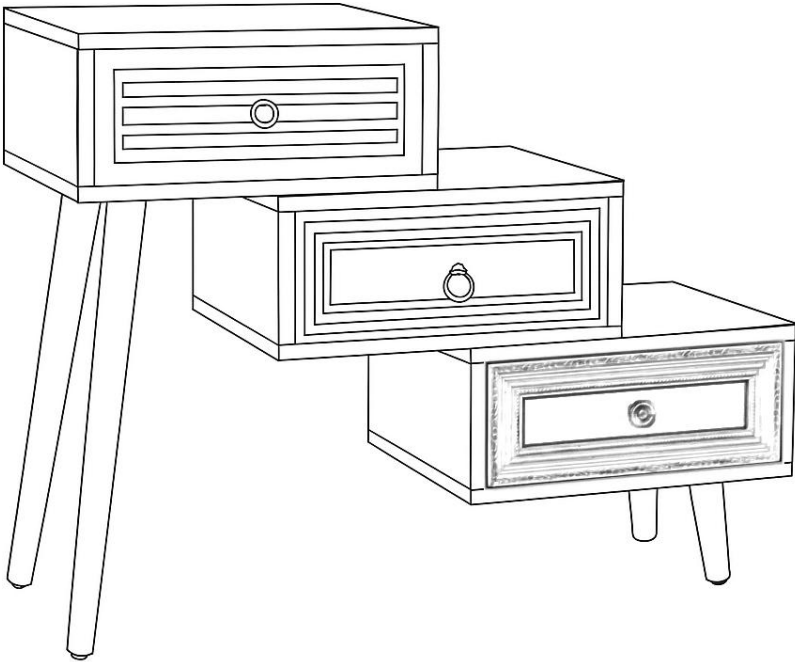


Ahokua

Assembly Instruction

Accent Cabinet










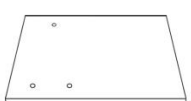

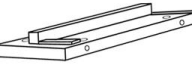
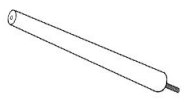
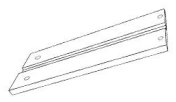

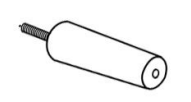
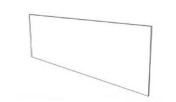
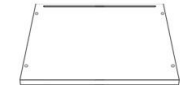













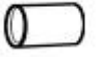
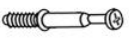


Thanks for buying this Living Room Furniture.

⚠ WARNING:

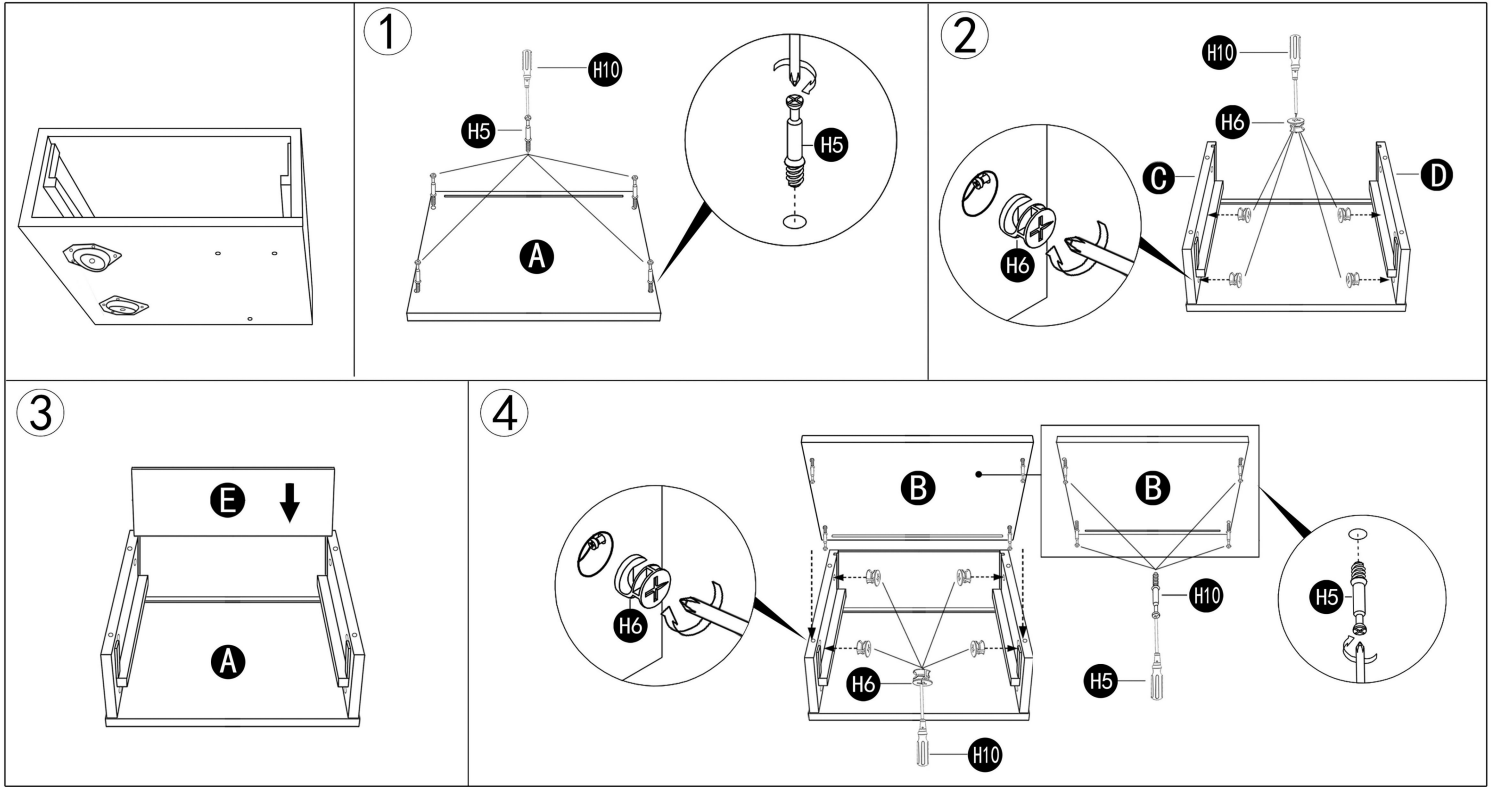
- Read all instructions carefully and completely before assembly and use.
- Retain for future reference.
- **DO NOT use power tools.**
- **DO NOT over-tighten hardware.**
- Periodically check all hardware and re-tighten as necessary.
- DO NOT sit or stand on product. Use only for intended purpose.
- DO NOT exceed 80lbs for the tabletop and 30lbs for the shelf, evenly distributed.

Parts List

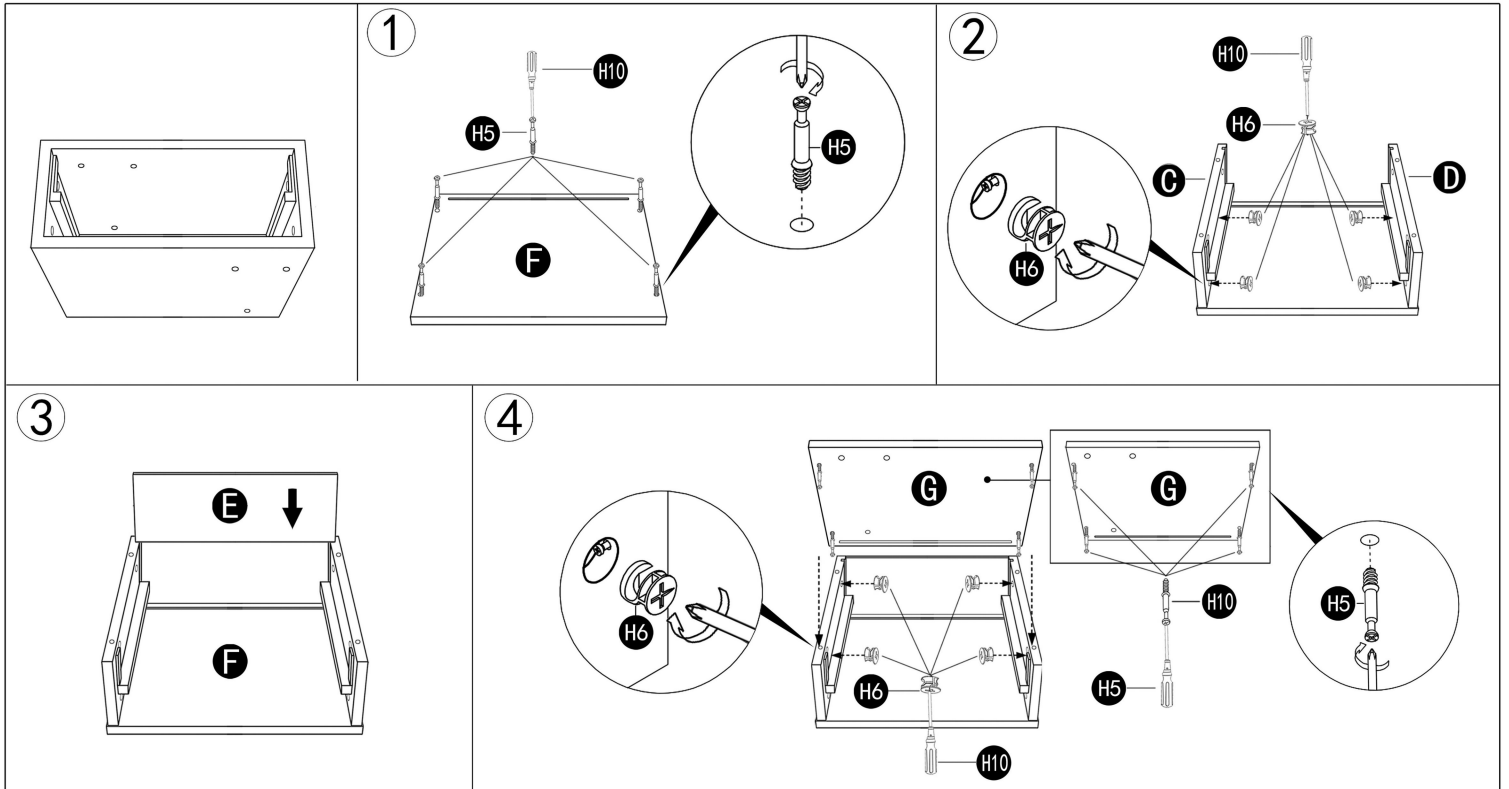
Check all parts before assembly

<u>Item no.</u>	<u>Reference image</u>	<u>QTY.</u>	<u>Item no.</u>	<u>Reference image</u>	<u>QTY.</u>	<u>Item no.</u>	<u>Reference image</u>	<u>QTY.</u>
A.		1	G.		1	M.		1
B.		1	H.		2	N.		1
C.		3	I.		1	O.		3
D.		3	J.		2	P.		3
E.		3	K.		2	Q.		3
F.		1	L.		1	R.		3
H1.		6+1	H6.		36+4	H11.		3
H2.		6+1	H7.		12+2	H12.		3
H3.		6+1	H8.		4	H13.		2+1
H4.		6+1	H9.		1	H14.		1+1
H5.		36+4	H10.		1	H15.		1+1

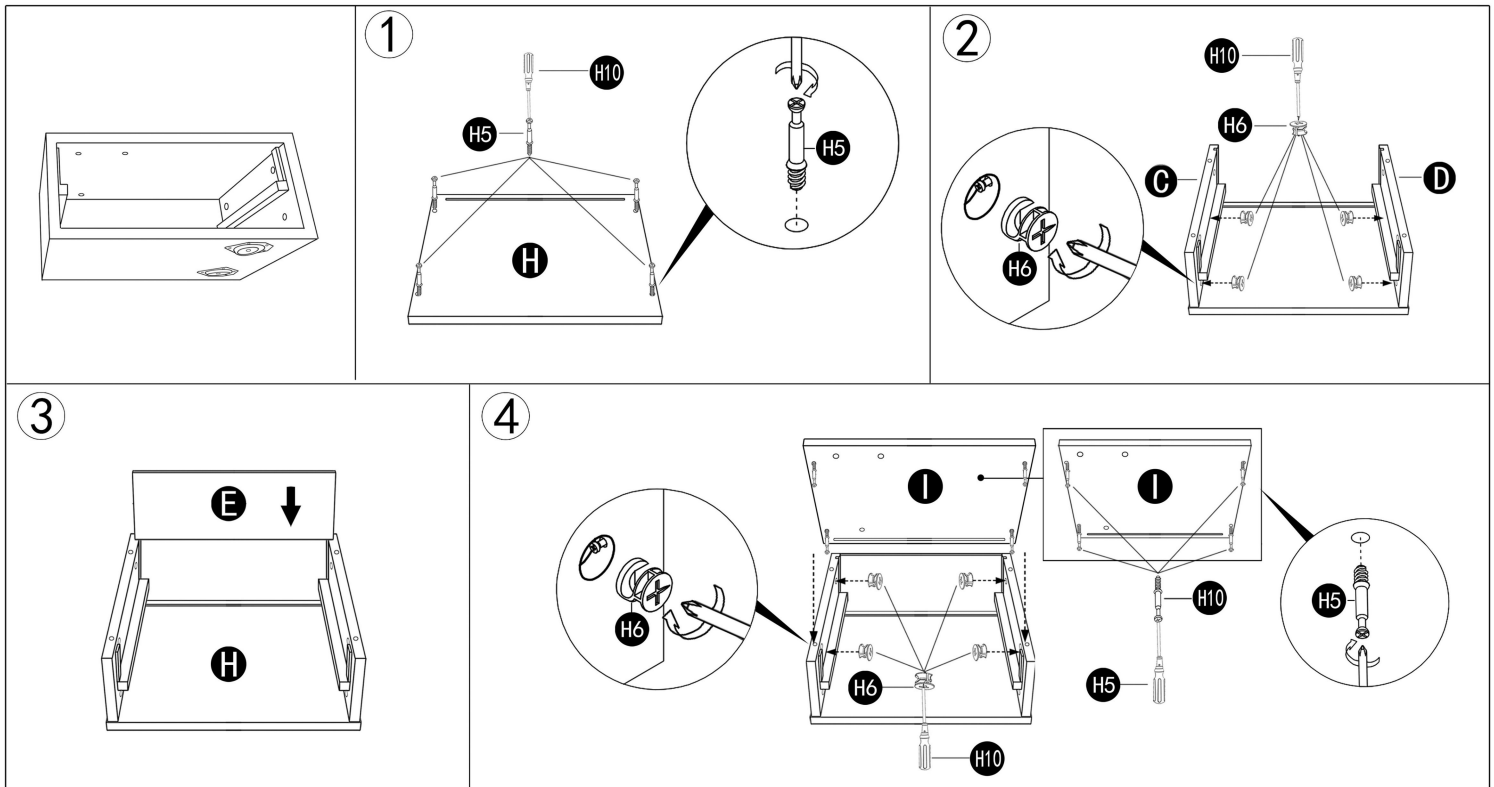
Step 1: Put the Top drawer frame's panel (A/B/C/D/E) on a soft surface to protect the finish.



Step 2: Put the Second drawer frame's panel (F/G/C/D/E) on a soft surface to protect the finish.

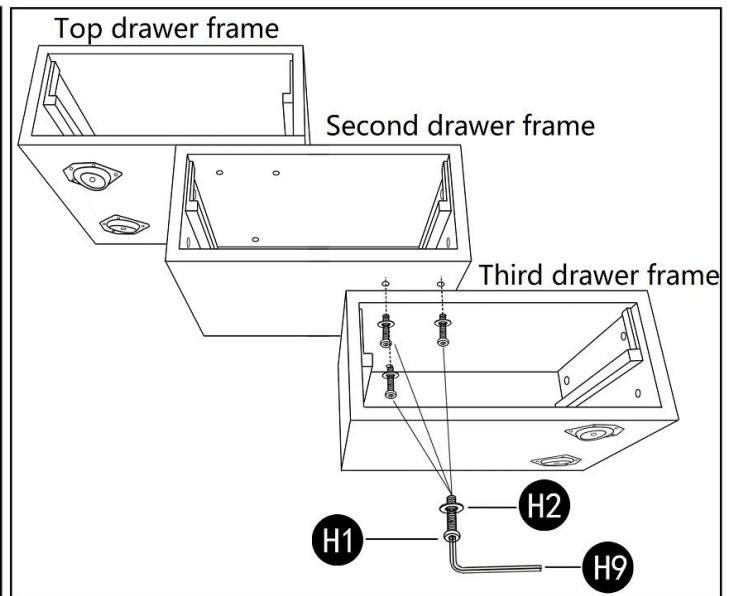
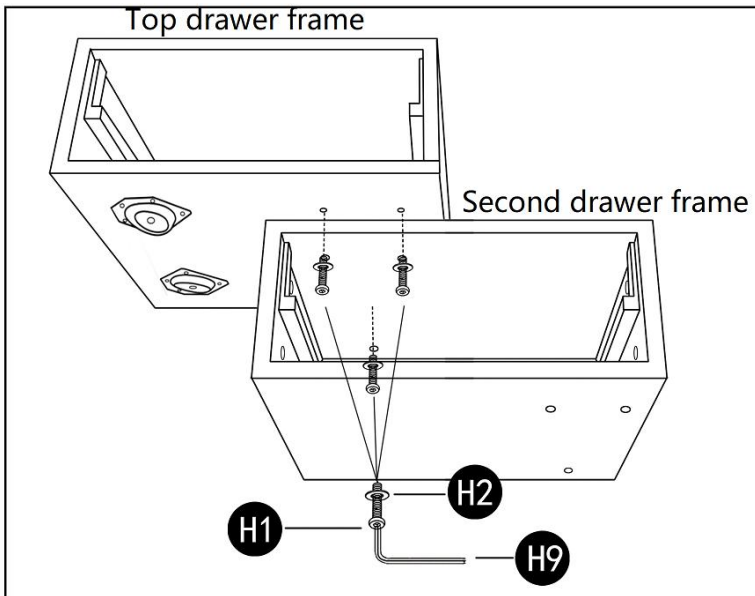


Step 3: Put the Third drawer frame's panel (H/I/C/D/E) on a soft surface to protect the finish.



Step 4: Put the Top drawer's frame with second drawer's frame together with Hex bolt (H11) & washer (H12) by Allen Key (H9).

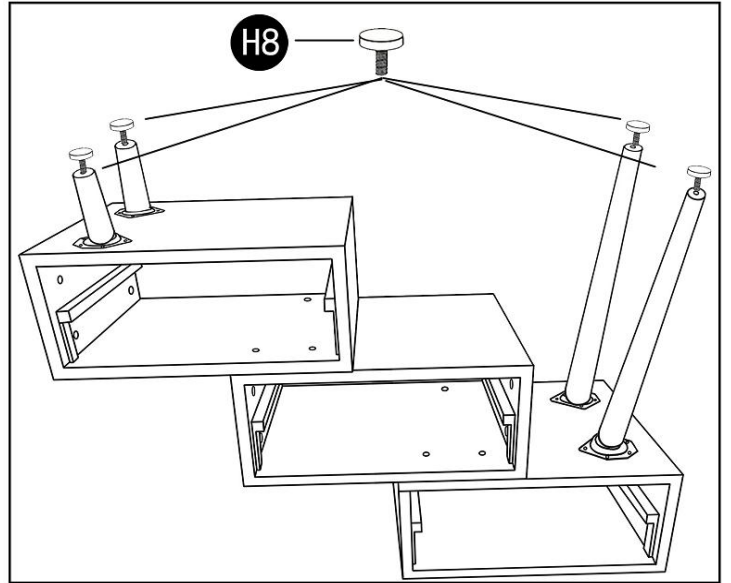
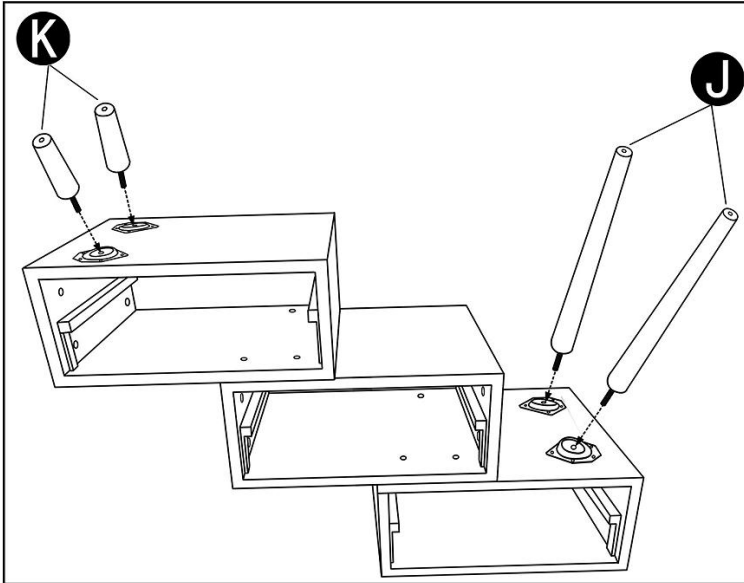
Put the second drawer's frame with Third drawer frame together with Hex bolt (H11) & washer (H12) by Allen Key (H9).



Step 5: Put the Body on a soft surface to protect the finish.

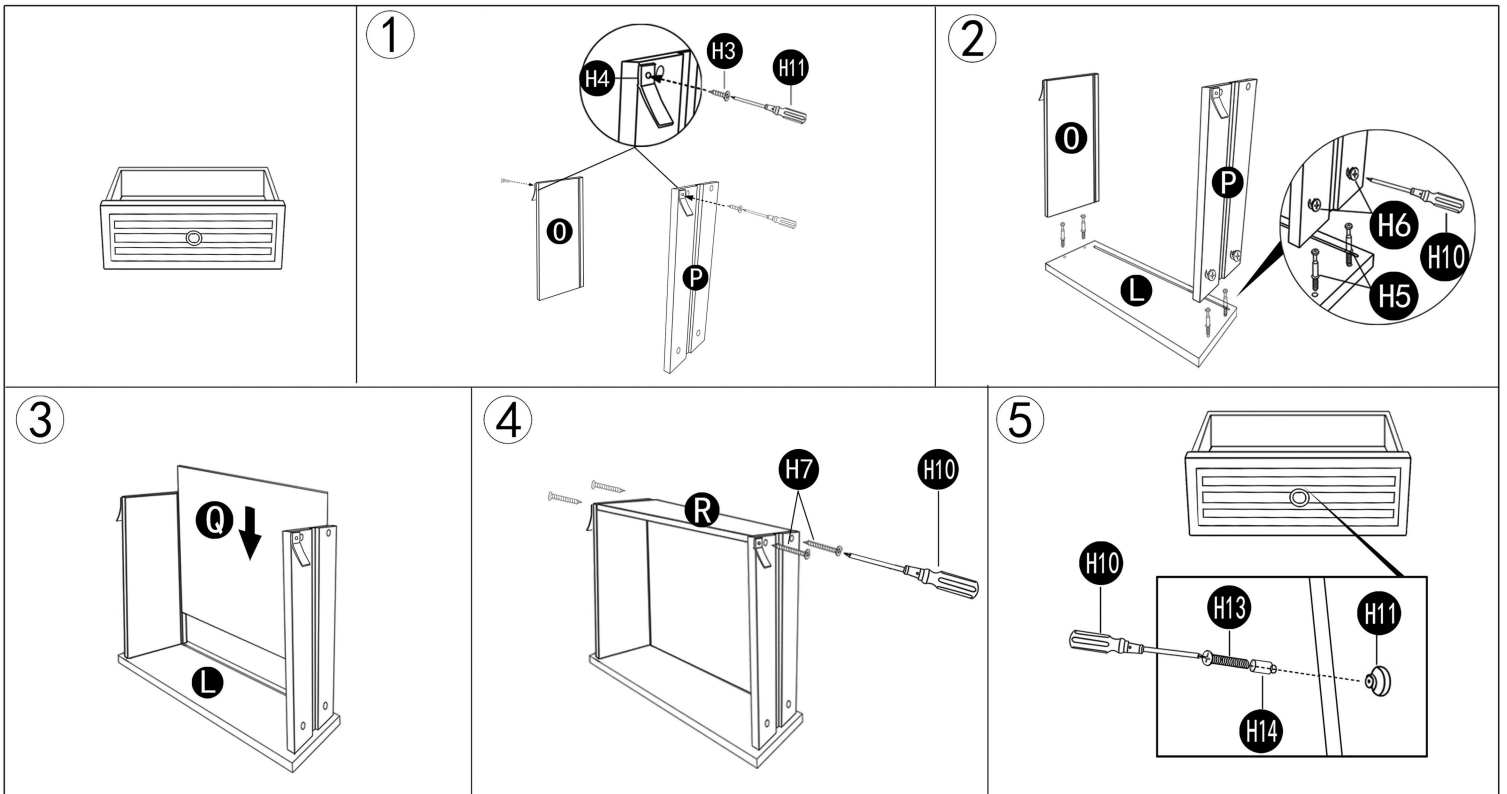
Insert the threaded end of the Legs(K&J) into the body and turn it clockwise to tighten.

Attach the Foot pad(H8) to the bottom of the legs as below right photo shown.

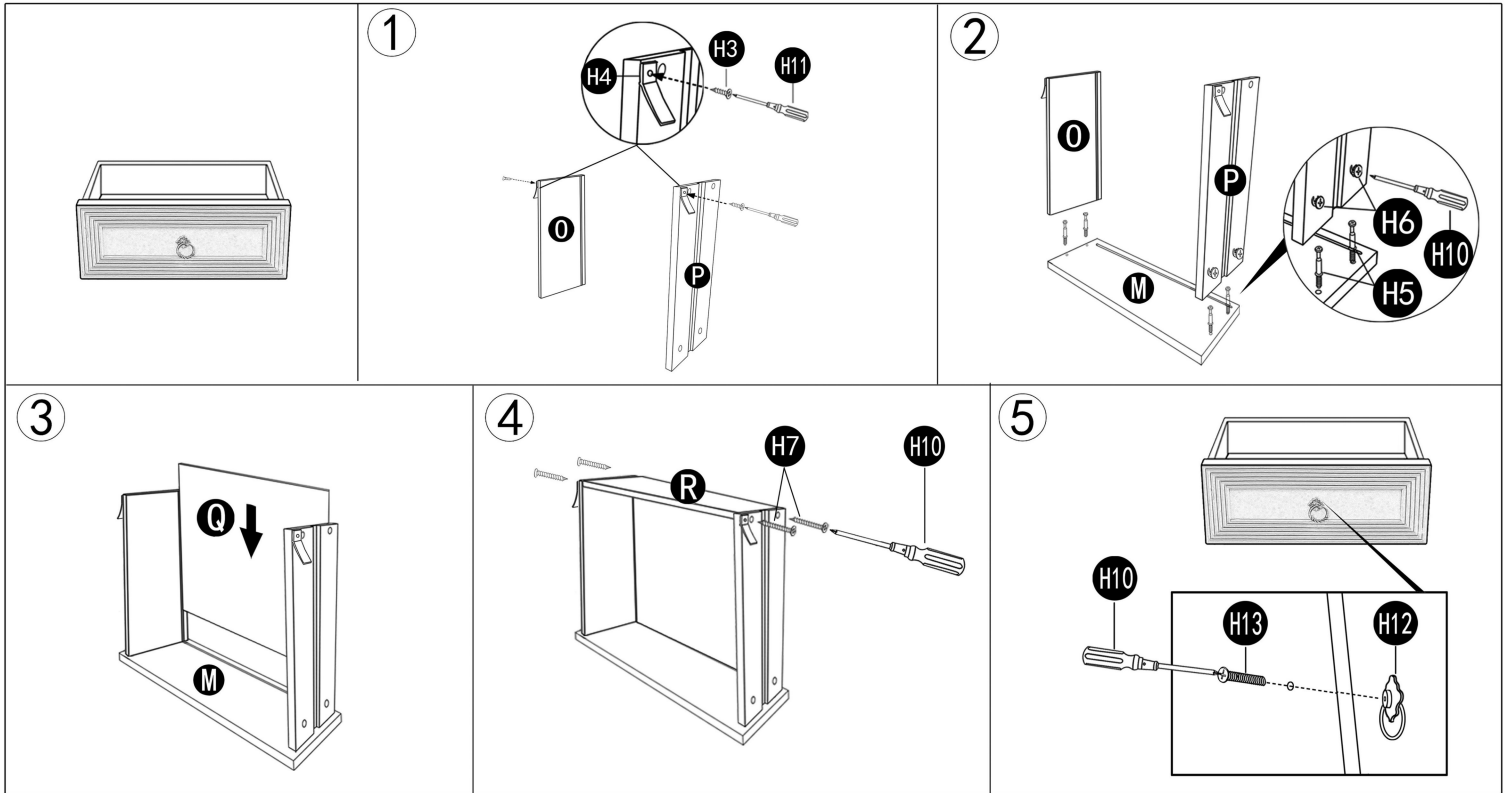


Step 6: Put the Top drawer's panel (L/O/P/Q/R) on a soft surface to protect the finish.

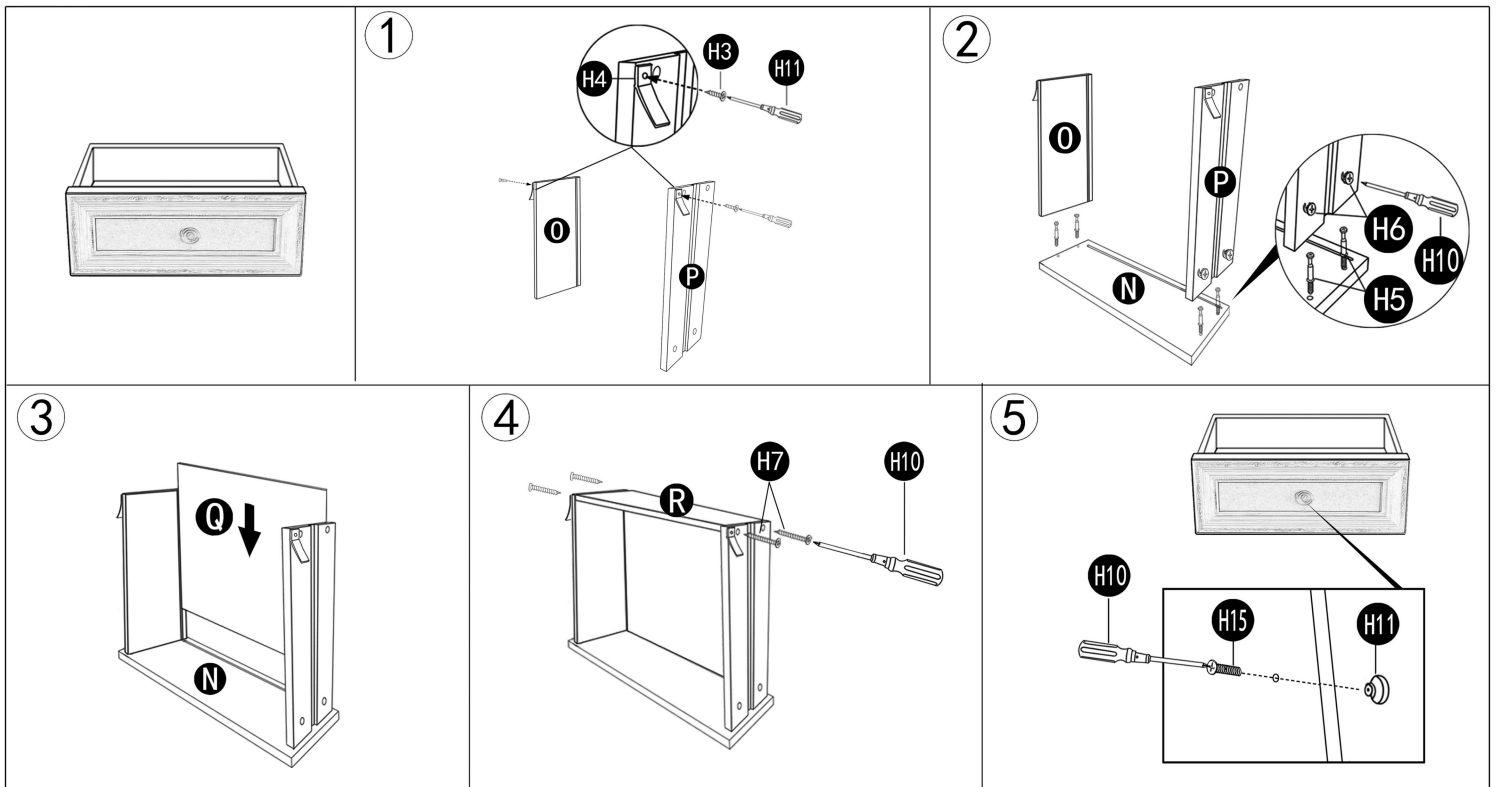
Ensure to use the **protect washer (H15)** when assembly the knob, or the front panel of the drawer will be damaged.



Step 7: Put the Second drawer's panel (M/O/P/Q/R) on a soft surface to protect the finish.



Step 8: Put the Second drawer's panel (N/O/P/Q/R) on a soft surface to protect the finish. Ensure to use the **short bolt (H15)**, or the knob cannot be assembly well.



Assembly finished.

Notice:
If you encounter any issues during installation or use, please email us at support@mi-din.com, including your order ID and a detailed description of the problem. If possible, please provide relevant images to expedite assistance. We will strive to resolve any issues promptly.