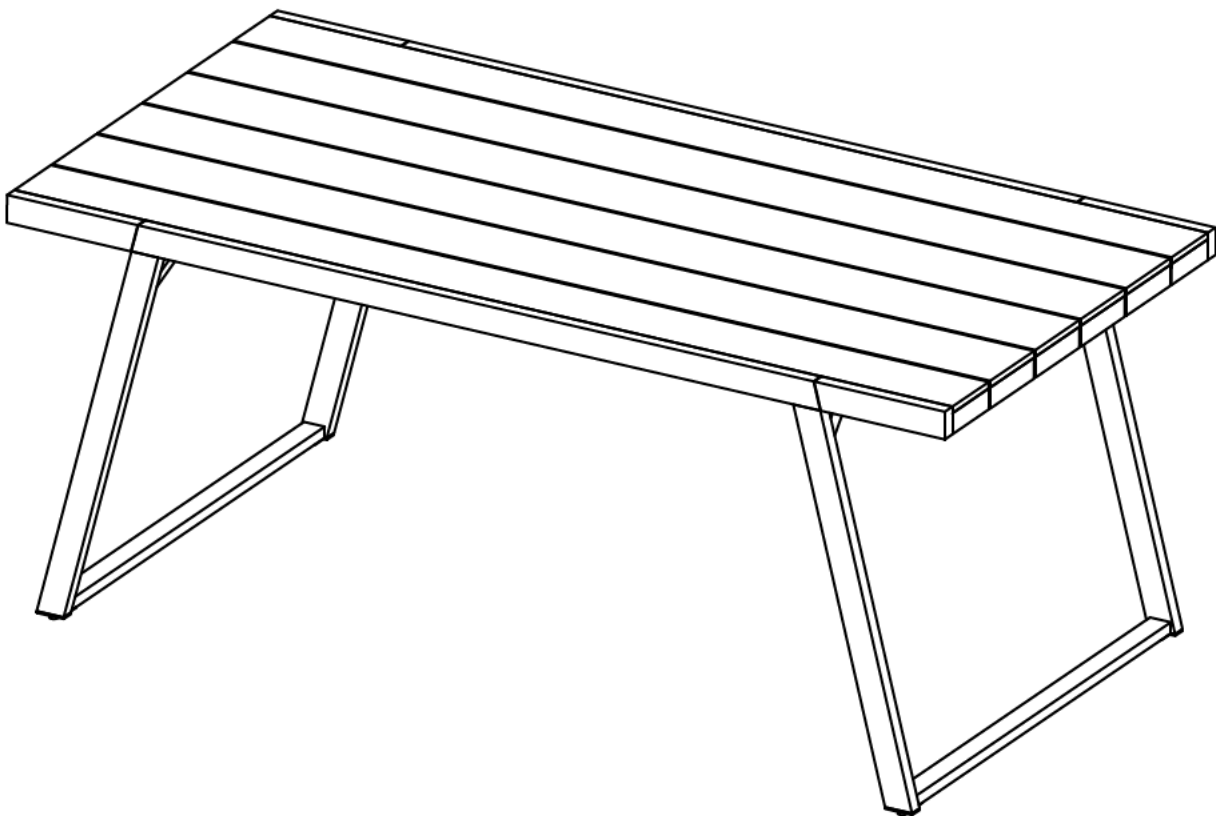


# Assembly Instructions

**Caution:** You must read this **Assembly instructions** before you proceed.






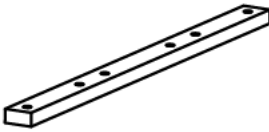
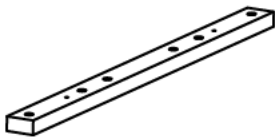

Please look in the **Leg Frames** for all hardware.

## TABLE








**Caution:** This Table is NOT a TOY.  
Keep your child/children at bay during the assembly process.  
Whenever moving/lifting the Table and to prevent damage to the Table, two adult partners may be needed to execute these actions.

## Part List:

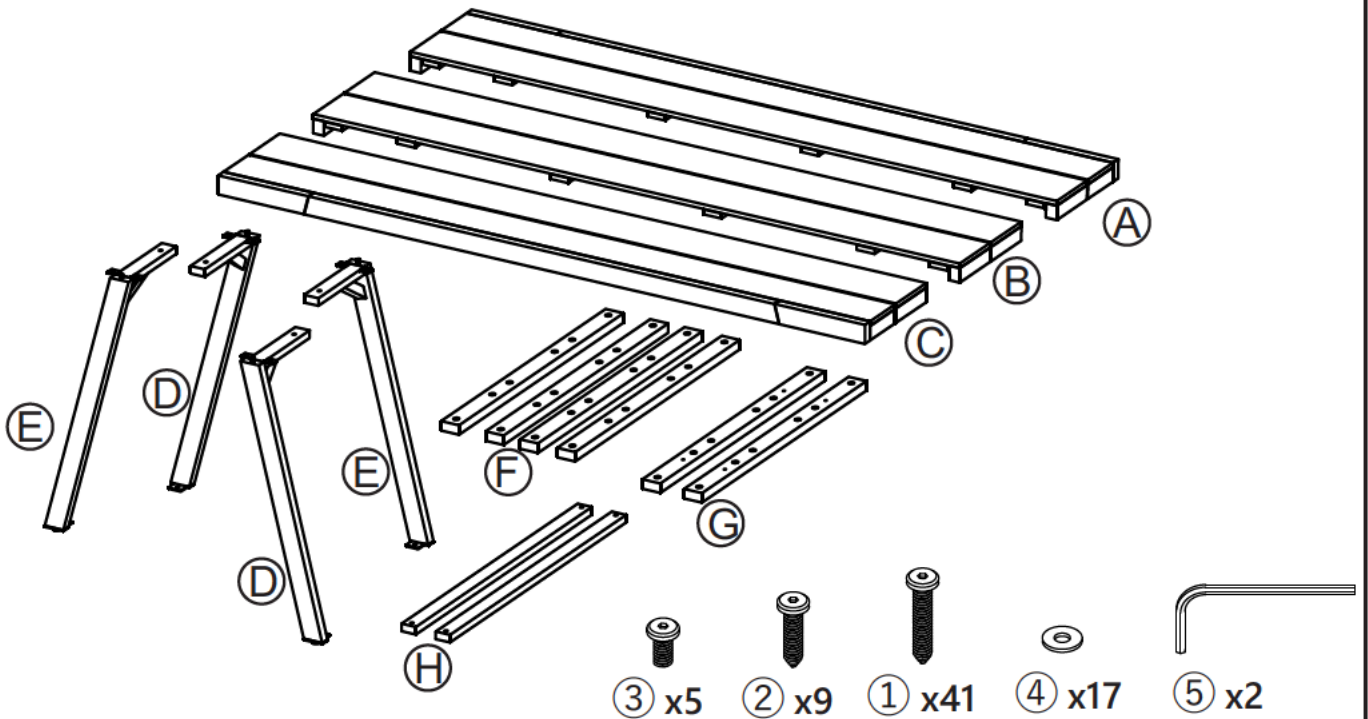
Label	Picture	Description	QTY
A		Right Table Top	1
B		Center Table Top	1
C		Left Table Top	1
D		First Leg Frame	2
E		Second Leg Frame	2
F		First Support Bar	4
G		Second Support Bar	2
H		Support Leg	2

# Hardware:

Label	Picture	Description	QTY
①		Screw (M6x40mm)	41
②		Screw (M6x30mm)	9
③		Bolt (M6x20mm)	5
④		Washer (M6.5/16x2mm)	17
⑤		Allen Wrench	2

## Assembly Preparation :

Before Beginning Assembly:



- Read instructions, cover to cover-



- Have 2 adults on hand for assembly-



- Do not assemble on flooring or carpet-



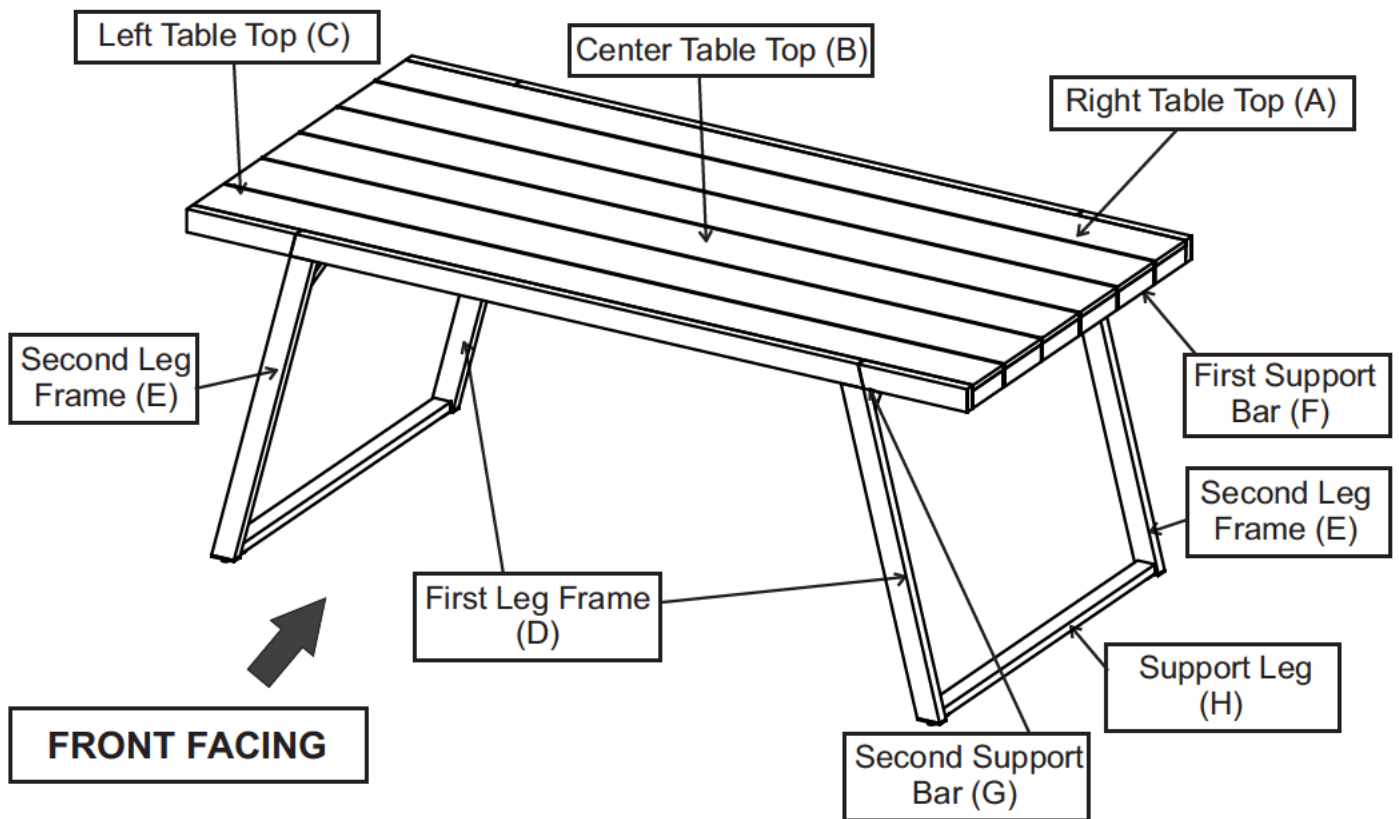
- Assemble on a clean non-marring surface (packing foam)-



- Save all packaging until finished-

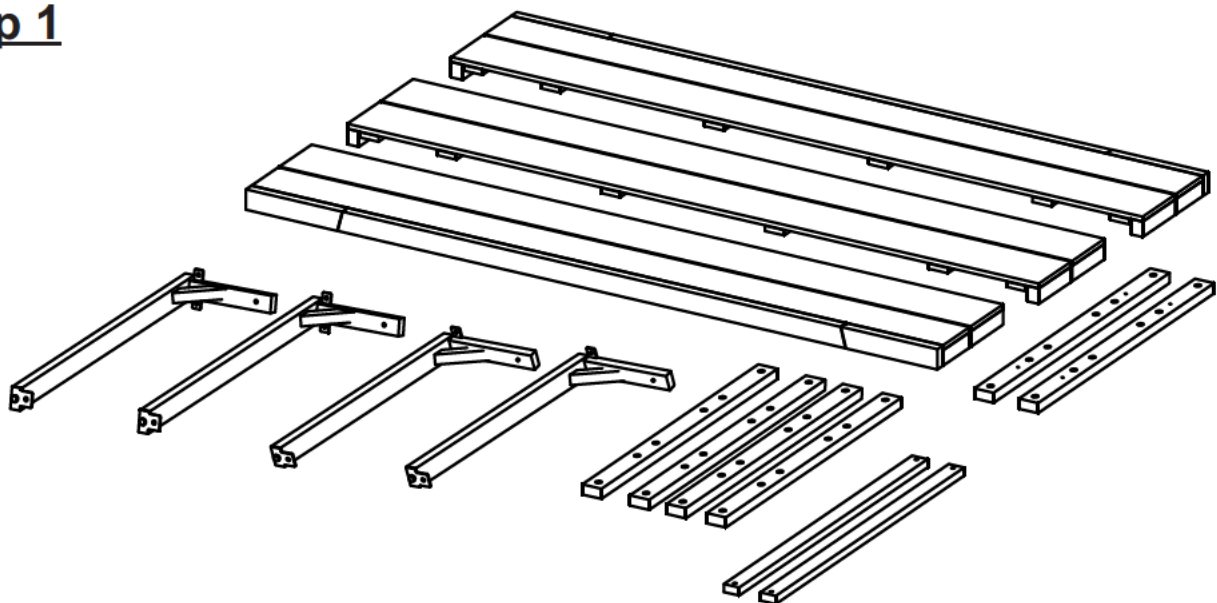
# Assembly Steps:

## Overview



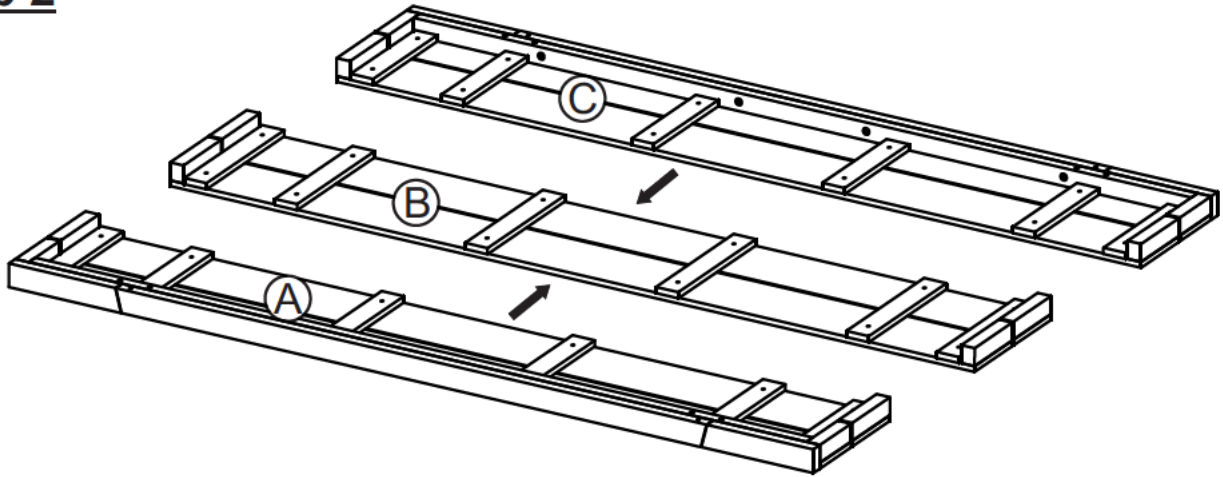
This Table has multiple parts and may require up to 30 minutes to assemble. To give you an overview of the Table parts, the above picture is to help you put the various parts into perspective. Please read through the instructions below to familiarise yourself with the parts and steps before assembly.

## Step 1



Unpack and place all parts on a clean, non-marring surface.

## Step 2

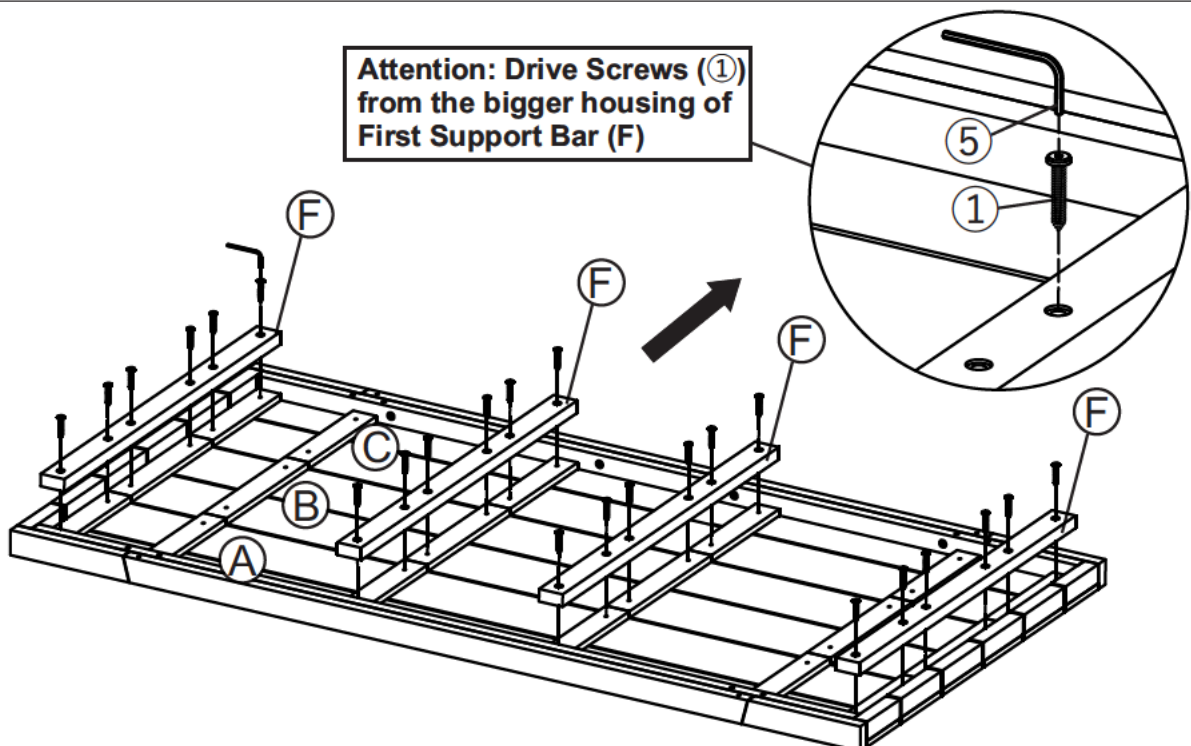


With assistance from your adult partners, turn the Left Table Top (C), Center Table Top (B), and Right Table Top (A) (bottom-side up) and place on a clean, non-marring surface to avoid any scratches or damage to the product.

Make sure the Left Table Top (C) and the Right Table Top (A) are aligned with the Center Table Top (B) as shown in the above picture.

**Attention: The labels (A), (B), and (C) on these parts should all be on the same side once assembled, as shown in the picture above.**

## Step 3

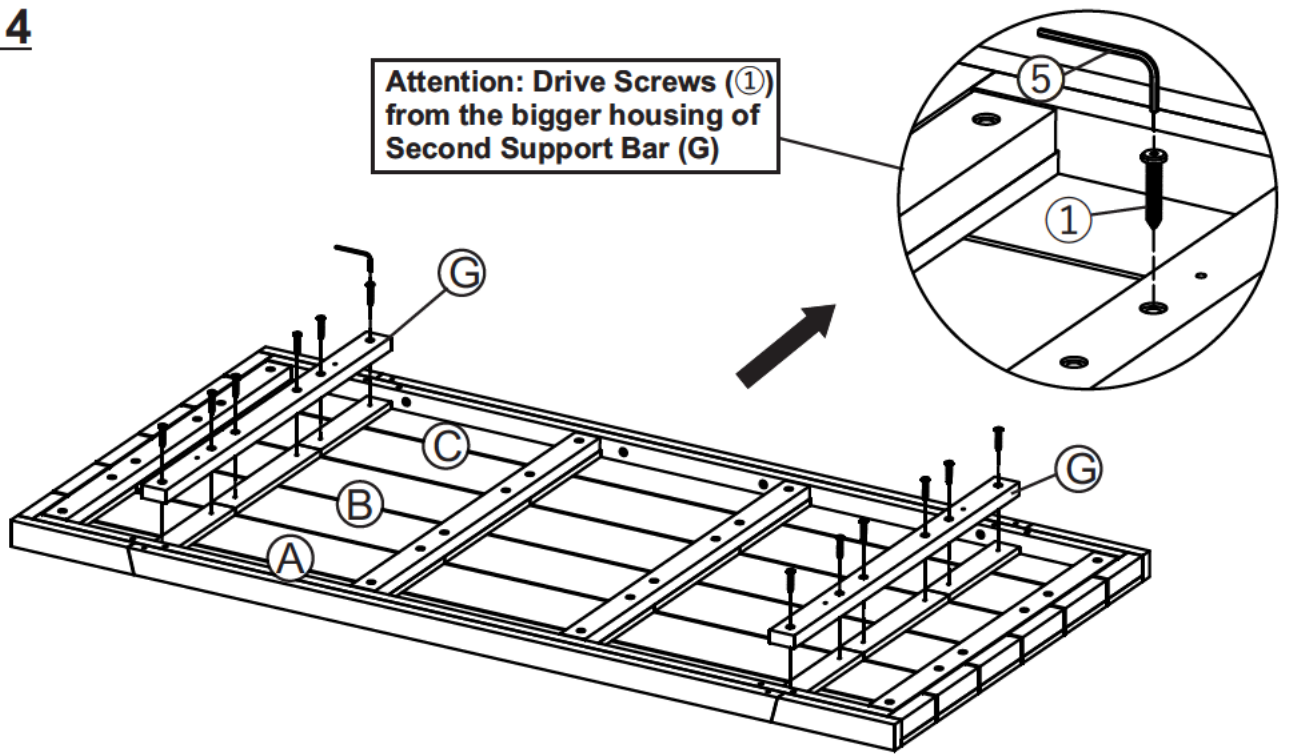


Attach the First Support Bar (F) onto the Table Top using Screws (1) and the Allen Wrench (5) as shown in the picture above.

Repeat the same process with the remaining First Support Bars (F).

**DO NOT fully tighten the Screws.**

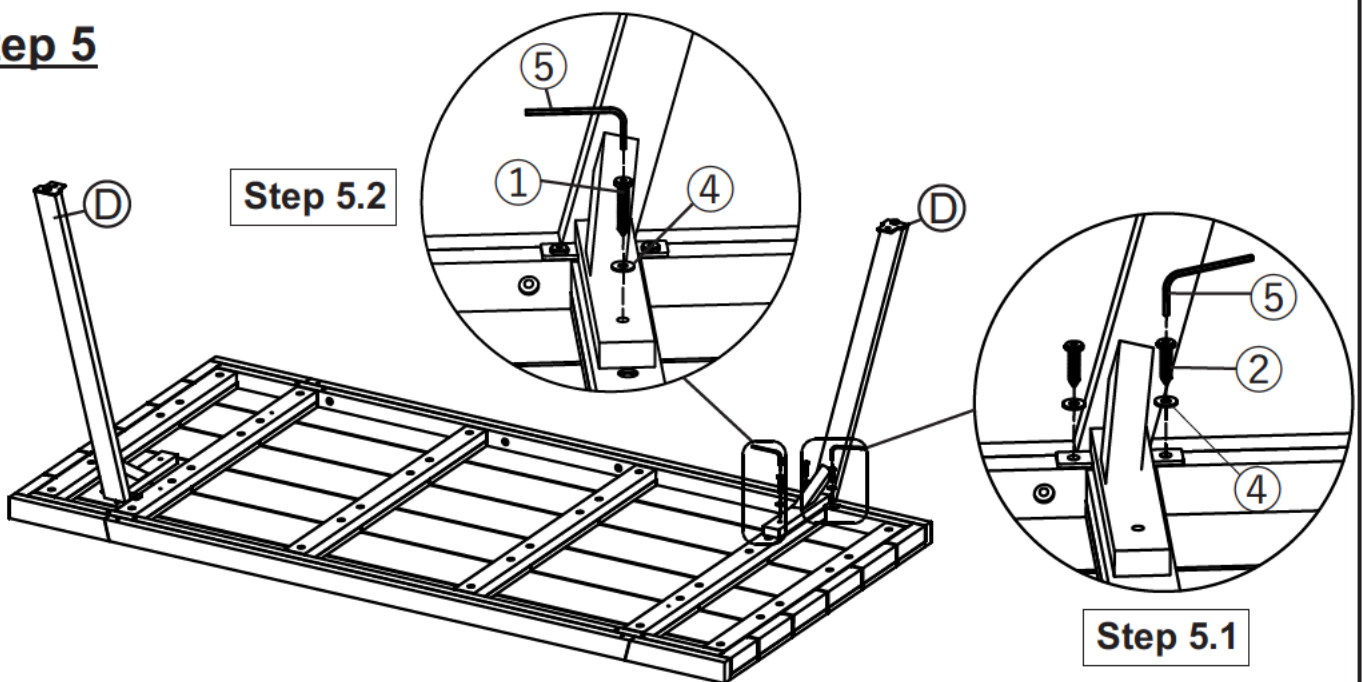
## Step 4



Attention: Drive Screws (①) from the bigger housing of Second Support Bar (G)

Attach the Second Support Bar (G) onto the Table Top using Screws (①), and the Allen Wrench (⑤) as shown in the picture above. Repeat the same process with the remaining Second Support Bars (G). **DO NOT** fully tighten the Screws.

## Step 5



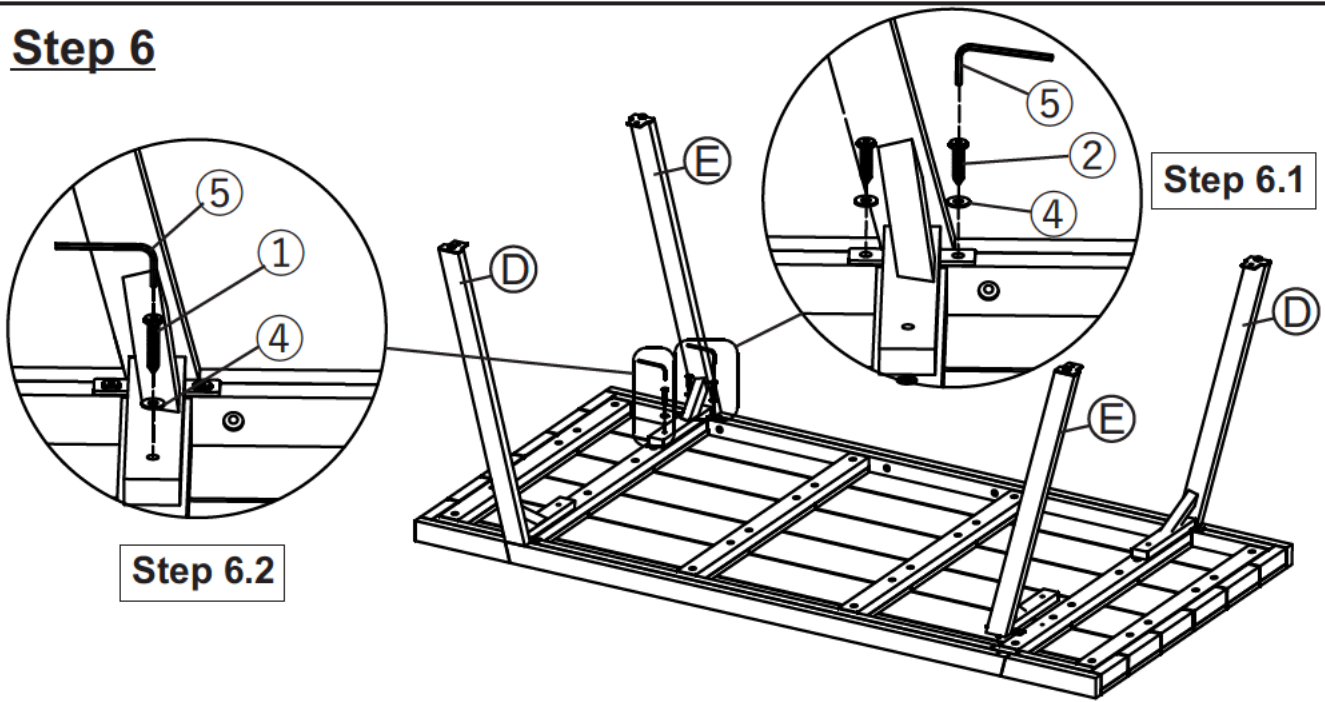
5.1 Attach the First Leg Frame (D) onto the Table Top using Screws (②), Washers (④) and the Allen Wrench (⑤).

5.2 Secure the First Leg Frame (D) onto the Table Top using Screws (①), Washers (④) and the Allen Wrench (⑤).

Repeat the same process with the remaining First Leg Frame (D).

**DO NOT** fully tighten the Screws.

## Step 6



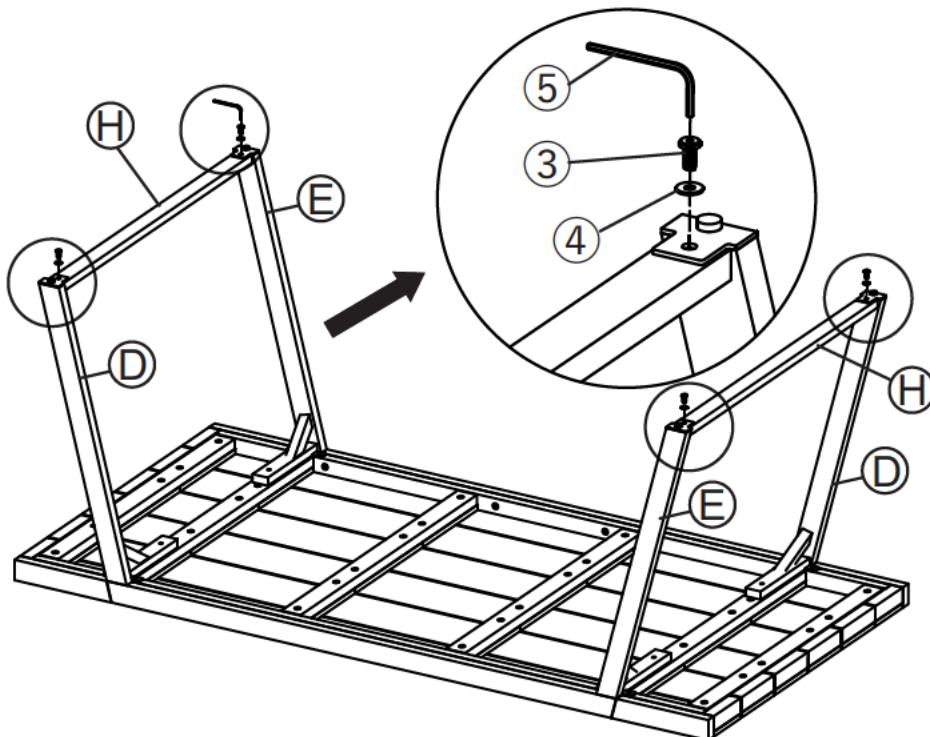
6.1 Attach the Second Leg Frame (E) onto the Table Top using Screws (②), Washers (④) and the Allen Wrench (⑤).

6.2 Secure the Second Leg Frame (E) onto the Table Top using Screws (①), Washers (④) and the Allen Wrench (⑤).

Repeat the same process with the remaining Second Leg Frame (E).

**DO NOT** fully tighten the Screws.

## Step 7

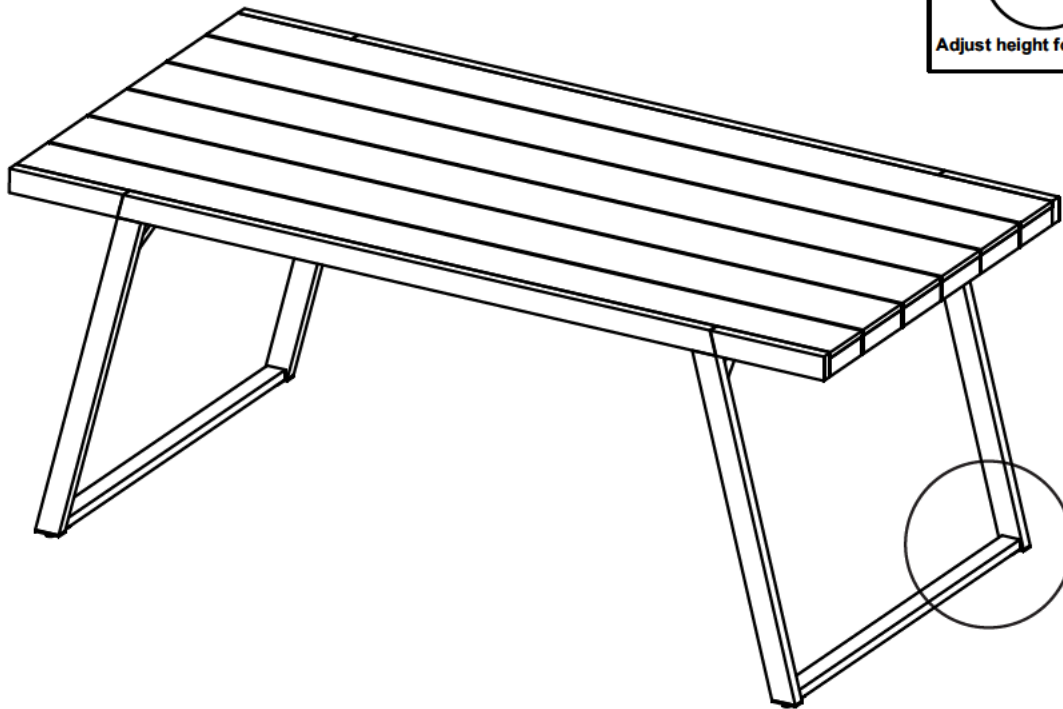
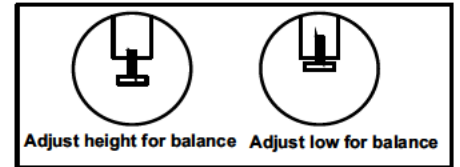


Attach the Support Leg (H) onto the First Leg Frame (D) and Second Leg Frame (E) using Bolts (③), Washers (④) and the Allen Wrench (⑤).

Repeat the same process with the remaining Support Leg (H).

**DO NOT** fully tighten the Bolts.











## Step 8



Adjust Pre-installed Levelers  
height for balance

With the assistance from your adult partners, stand the Table up.  
EXERT pressure floorwards onto the Table with both hands.  
This pressure will help the Table reach full alignment at all joints.  
In a sequential manner, gradually tighten all Bolts at all joints until evenly secured.  
Inspect the Table and make sure all parts are adequately connected.  
Adjust the Levelers to the desired height to avoid wobbles.  
Your Table is ready for use.  
This Table can only be used on a flat, level surface.

## Care & Maintenance:

- ⊘  • Prolonged exposure to rain may cause rusting which can stain floors.
- ⊘  • DO NOT put hot items directly on furniture surface.
- ⊘  • DO NOT clean furniture with harsh cleansers or polish.
- ✓  • To obtain the longest lifespan of your outdoor products, minimizing exposure to direct sunlight is recommended.
- ⊘  • Children should not climb or jump on the furniture.
- ⊘  • DO NOT write on furniture without a padded barrier to protect the surface.
- ✓  • To obtain the longest lifespan of your outdoor products, avoid extended and lengthy exposure to rain, snow, and direct sunshine. Whenever possible cover the product and / or place under patio or awnings.
- ⊘  • Not for commercial use. For residential use only.
- ⊘  • Stains may be removed with mild soap solution and damp cloth.
- ✓  • Dust and pick-up spill using a clean, non-colored, lint-free cloth.