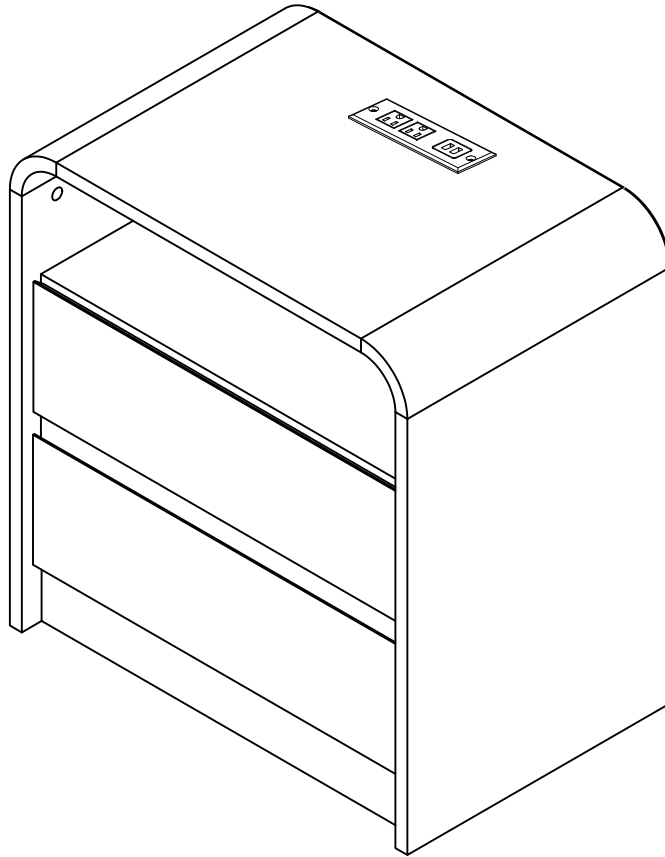
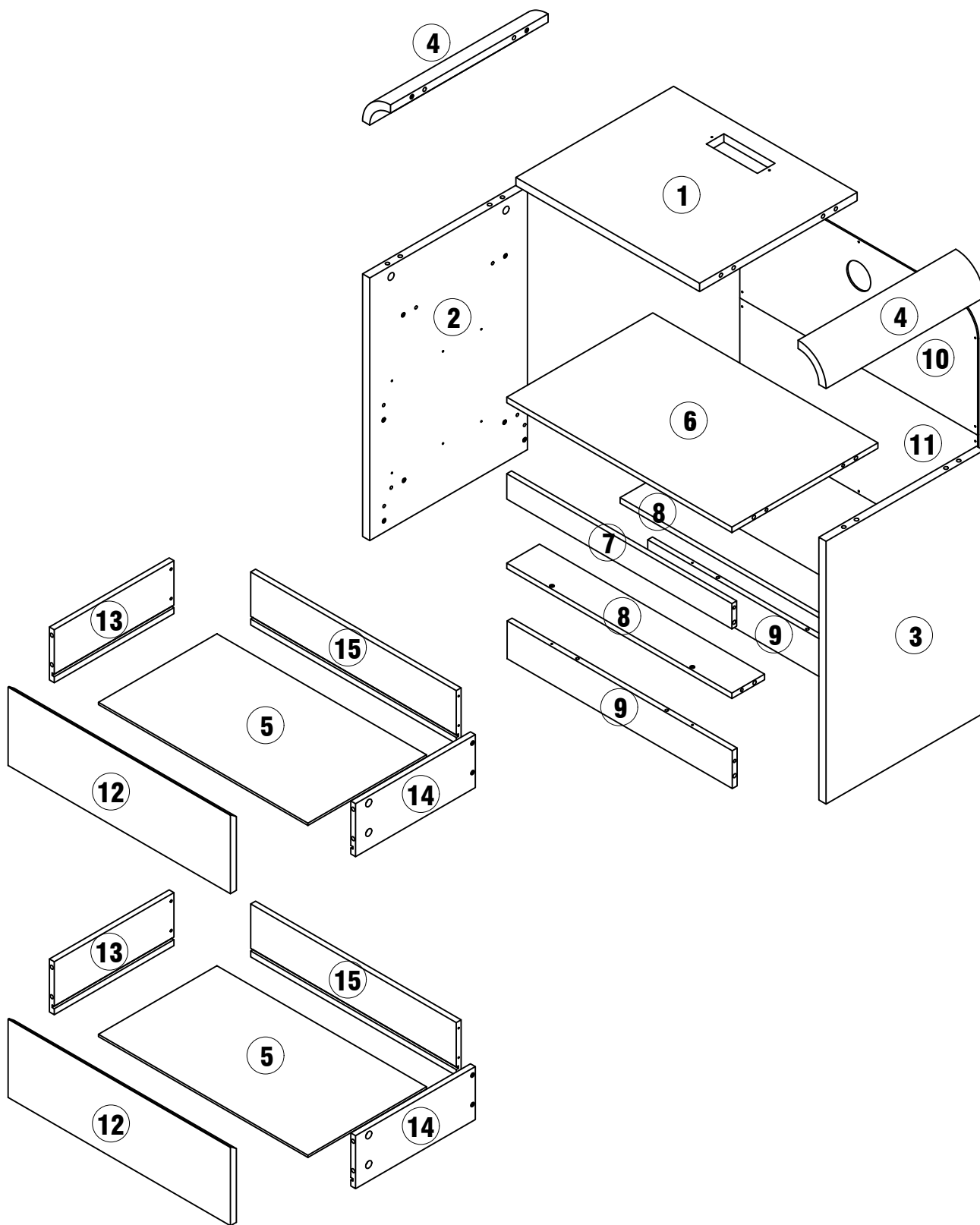


ASSEMBLY INSTRUCTIONS




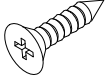
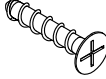
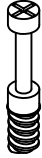
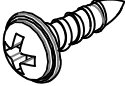

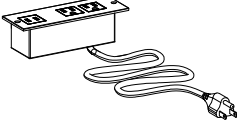

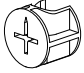
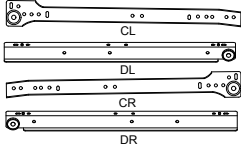

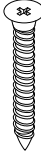
PACKAGE INCLUDE



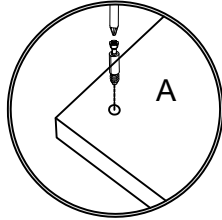
PACKAGE INCLUDE

CODE	DESCRIPTION	QTY
1	Top Panel	1
2	Left Side Panel	1
3	Right Side Panel	1
4	Bent Wood Board	2
5	Drawer Bottom Panel	2
6	Middle Plate	1
7	Front Slat	1
8	Bottom Crossbar	2
9	Bottom Vertical Panel	2
10	Upper Back Panel	1
11	Lower Back Panel	1
12	Drawer Top Panel	2
13	Drawer Left Side Panel	2
14	Drawer Right Side Panel	2
15	Drawer Back Panel	2

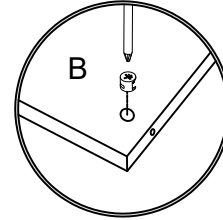
PACKAGE CONTENT

<p>Ø6X30MM</p>  <p>A 18X+1</p>	<p>Ø3X12MM</p>  <p>B 22X+1</p>	<p>Ø4X35MM</p>  <p>C 8X</p>	 <p>D 8X+1</p>
<p>Ø3.5X12MM</p>  <p>F 14X+1</p>	<p>Ø15X12MM</p>  <p>G 8X+1</p>	 <p>H 1X</p>	 <p>J 22X+1</p>
<p>Ø15X10MM</p>  <p>K 22X+1</p>	 <p>L 2X</p>	<p>Ø8X30MM</p>  <p>M 8X</p>	<p>Ø4X40MM</p>  <p>N 4X</p>

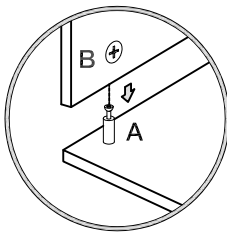
How to use the cam lock system



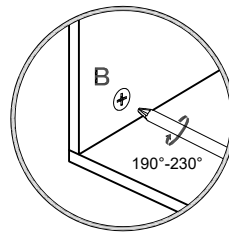
1. Screw cam bolt into panel



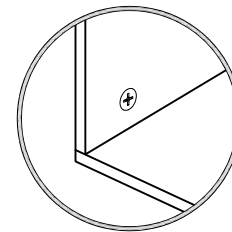
2. Push cam into panel - arrow feature on cam top points to panel edge



3. Align cam bolt(s) with cam(s) and insert all the way into cross-bored hole(s)

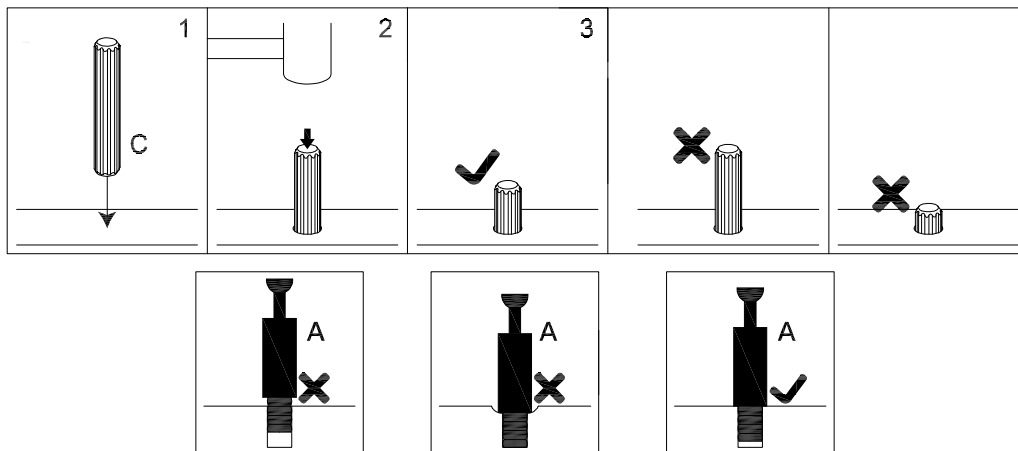


4. Rotate cam(s) clockwise 190°-230° to lock panels together



5. Panels should be tight against each other and connection should be rigid

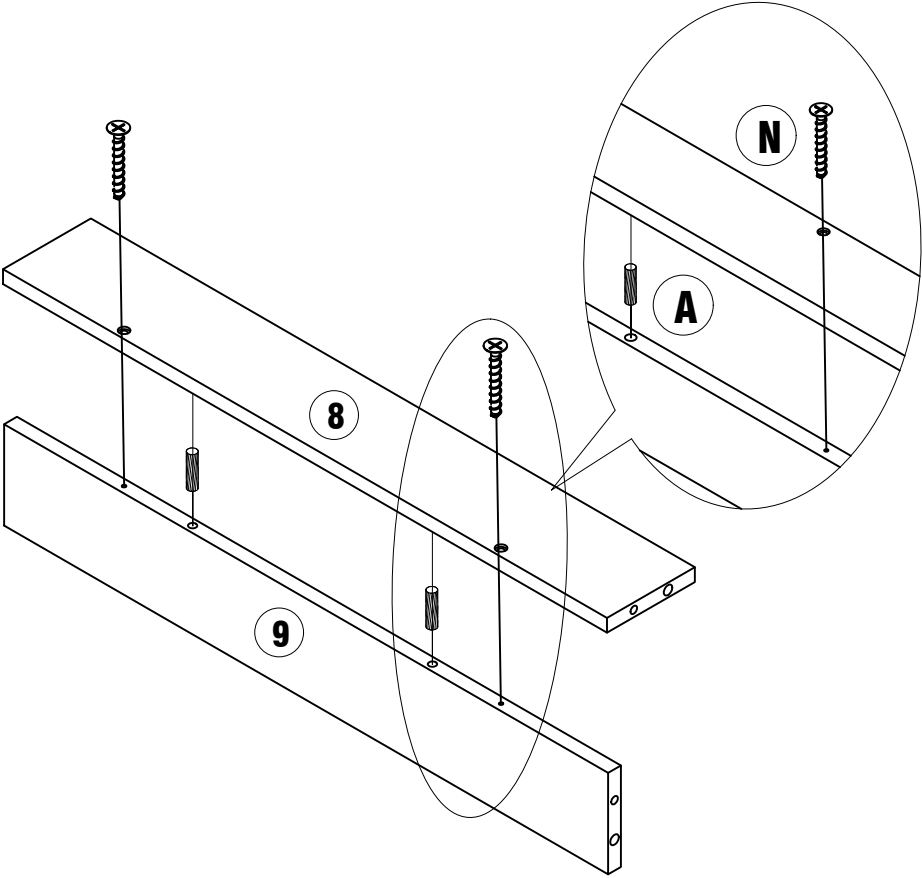
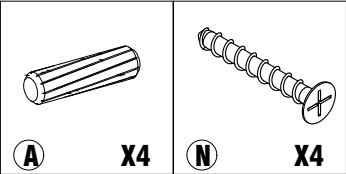
Insert the wood dowel [C] at least half way by tapping lightly with a rubber mallet, IF NECESSARY.



⚠ WARNING

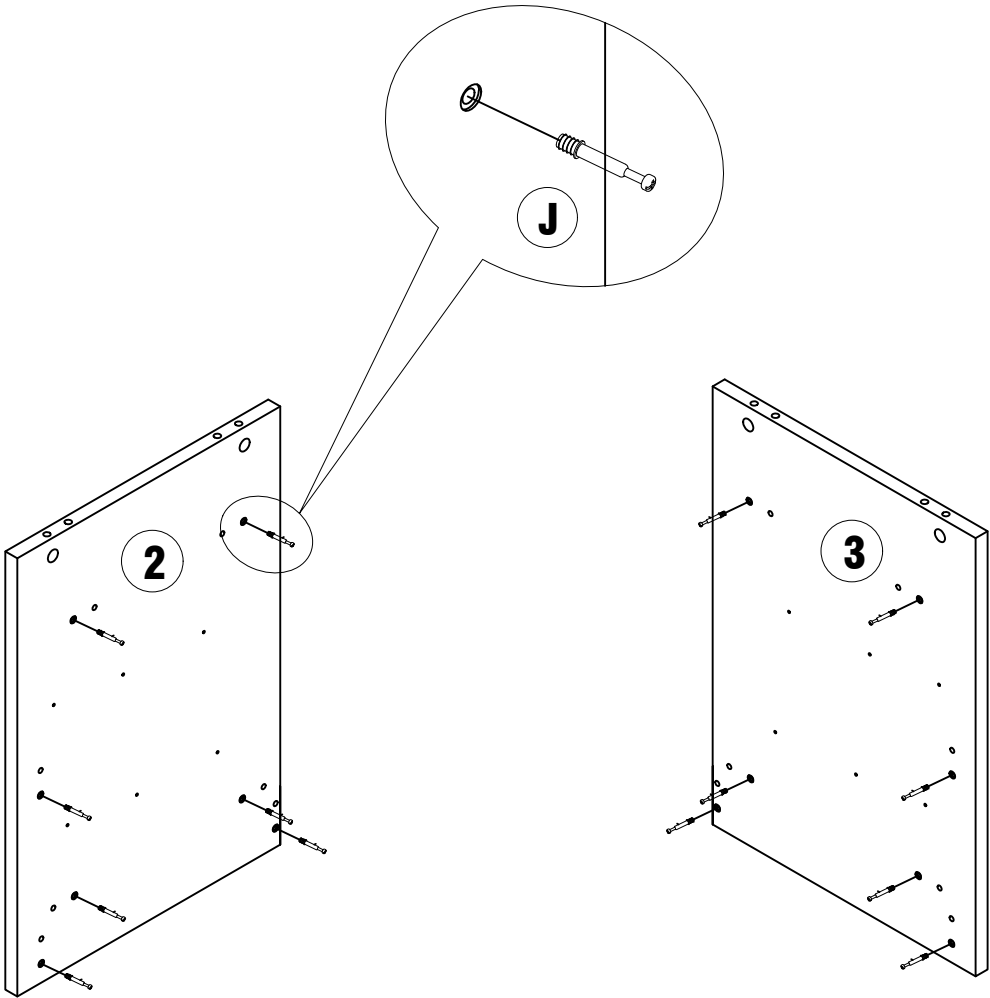
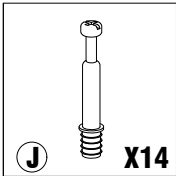
- Unit must be placed on a level surface or leveled with included hardware (when applicable).
- Do not sit or stand on or allow children to climb, sit or stand on the assembled product.
- For safety reasons, it is imperative that this unit be mounted to the wall.
- Do not use without installing the tip restraint.
- Unit can tip over causing severe injury or death.
- Do not exceed the recommended weight limits.
- Evenly distribute the weight on each level and always keep the heavier loads on the bottom.
- Before cutting, drilling or hammering into any wall or floor surface, verify the location of electrical, plumbing and gas lines. Cutting may cause serious injury.

STEP 1

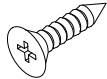
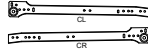


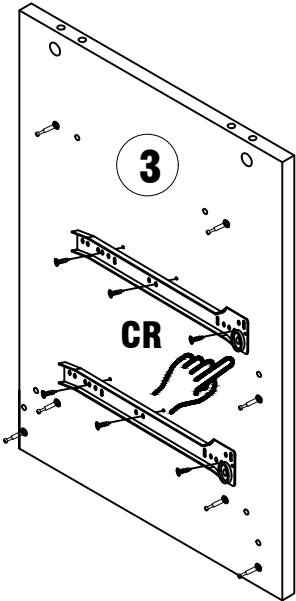
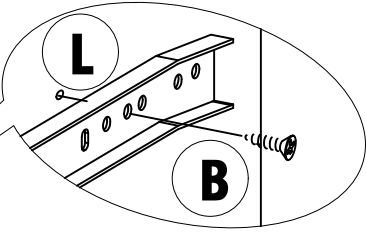
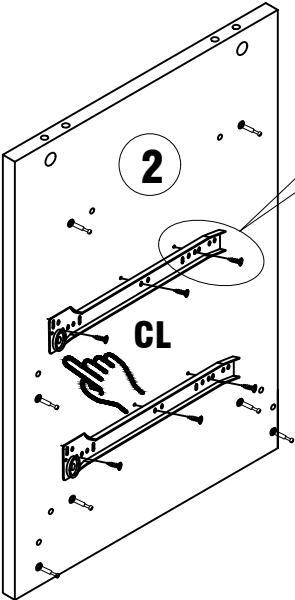
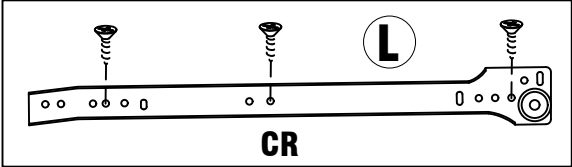
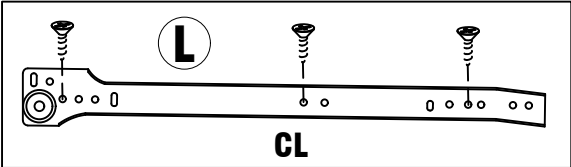
X2

STEP 2

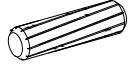
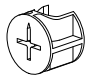


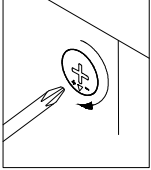
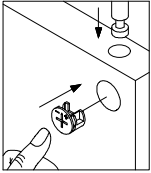
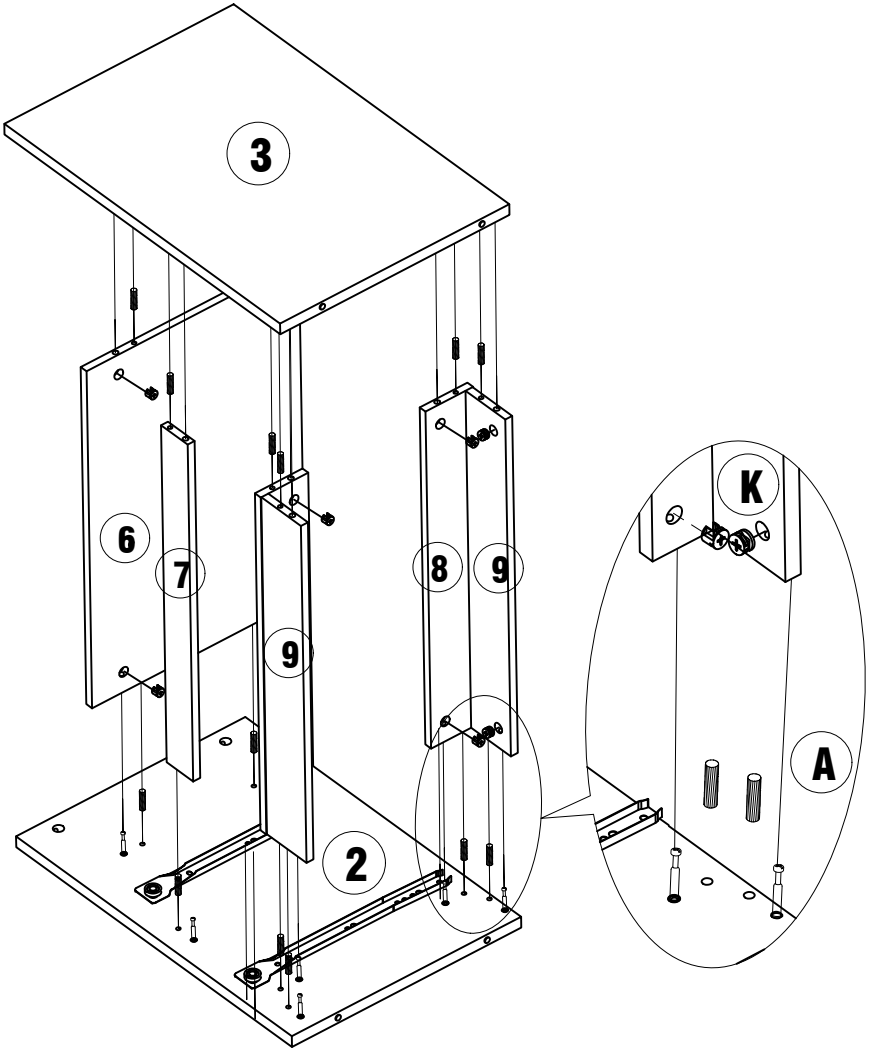
STEP 3

	
B	X12
L	X2

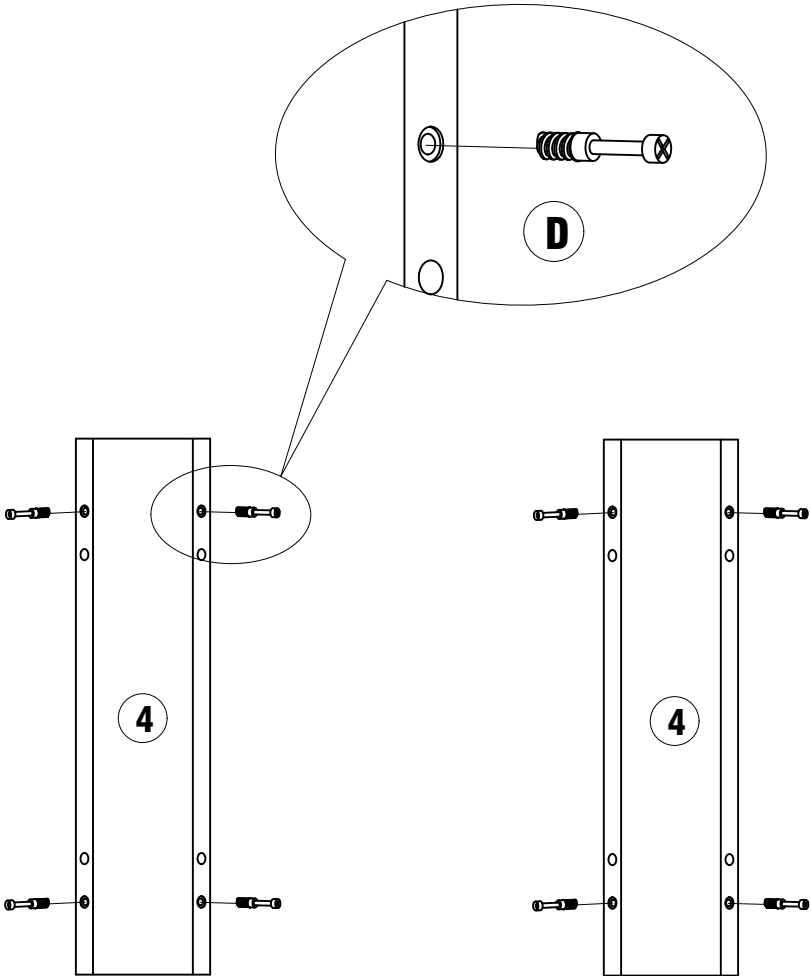
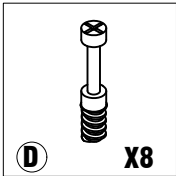


STEP 4

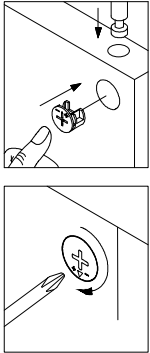
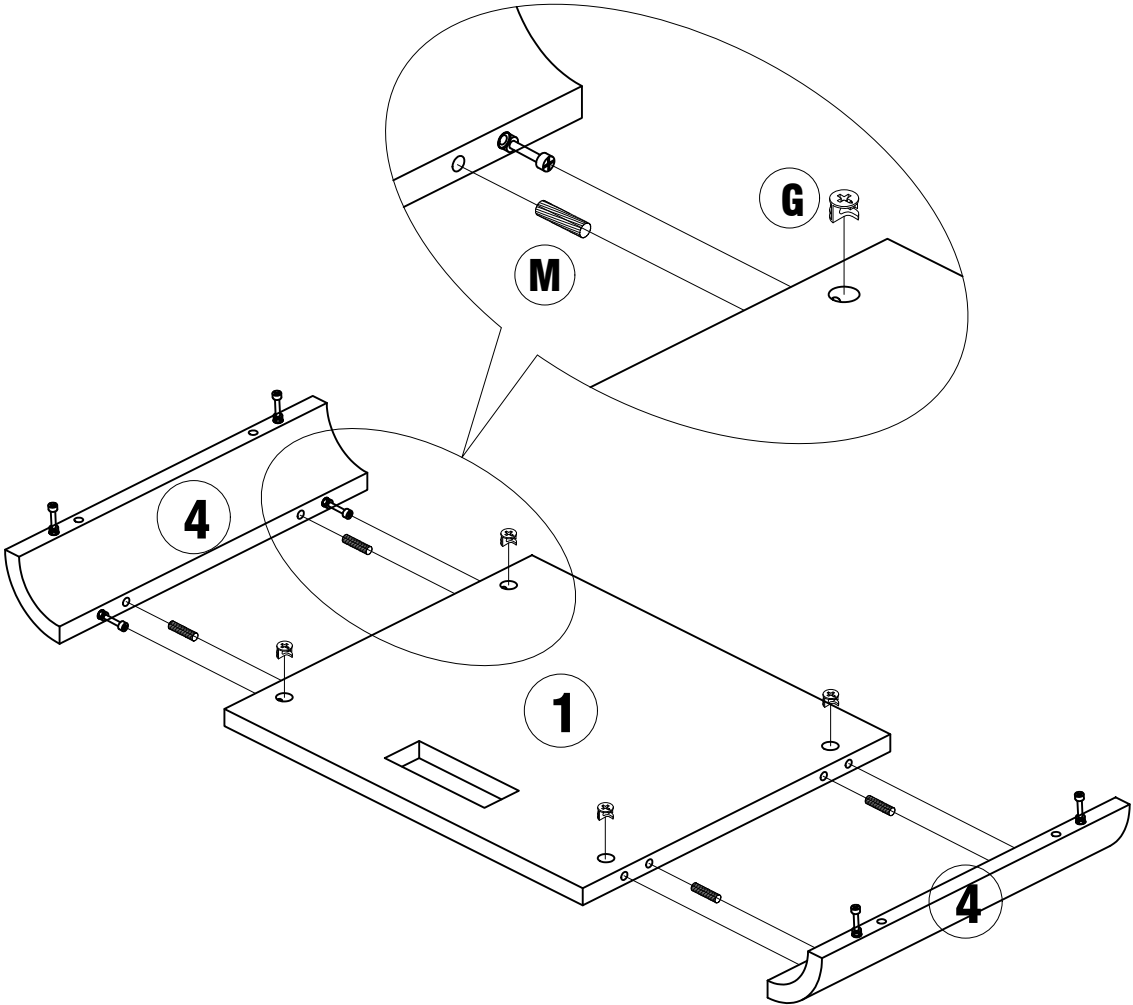
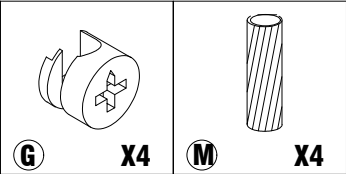
	
A	X14
K	X14



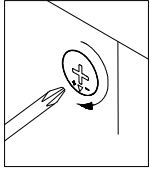
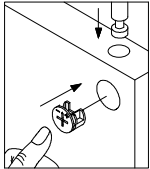
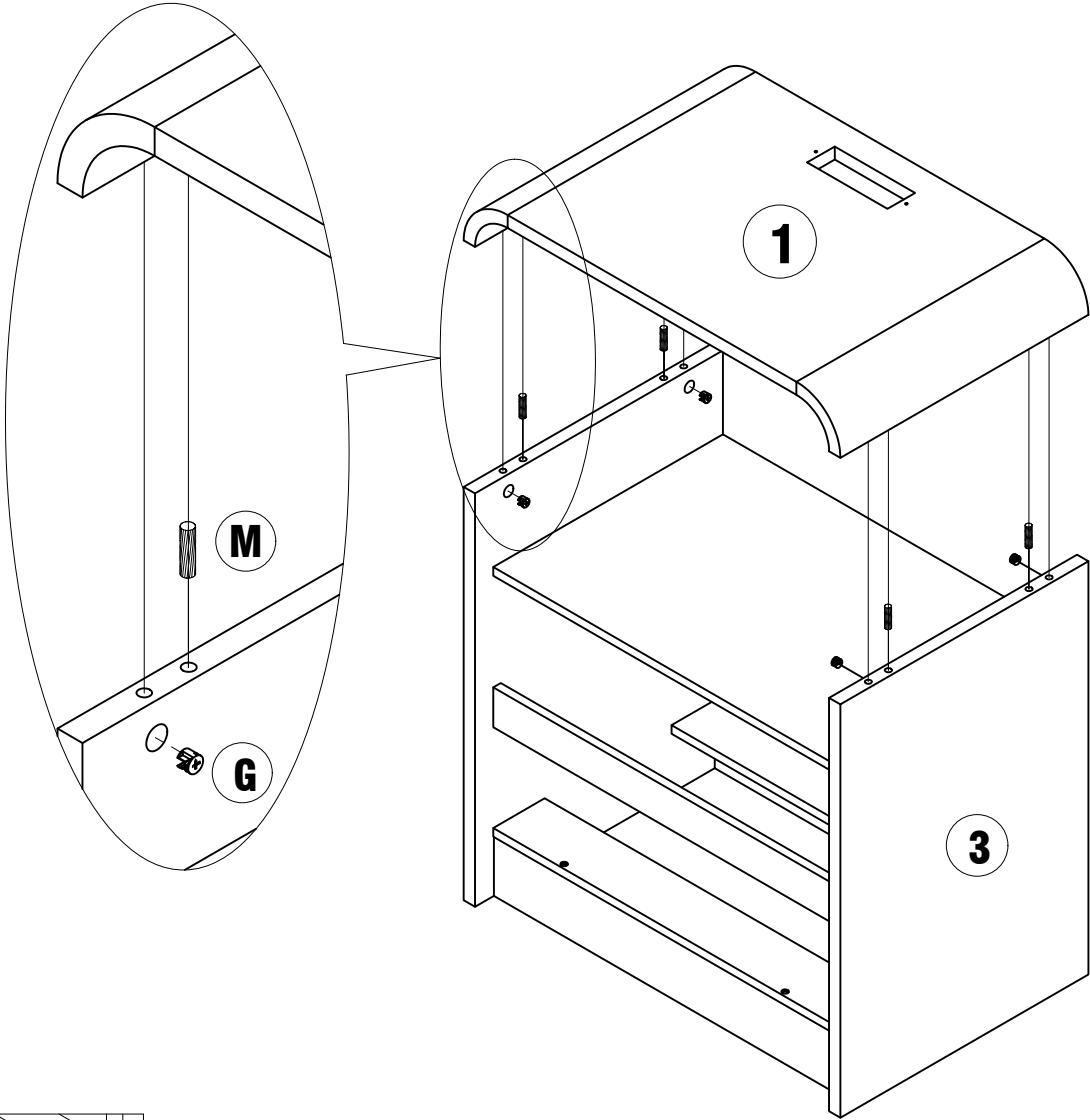
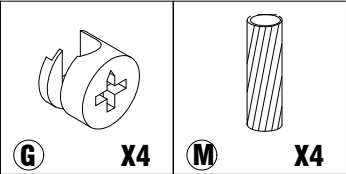
STEP 5



STEP 6



STEP 7

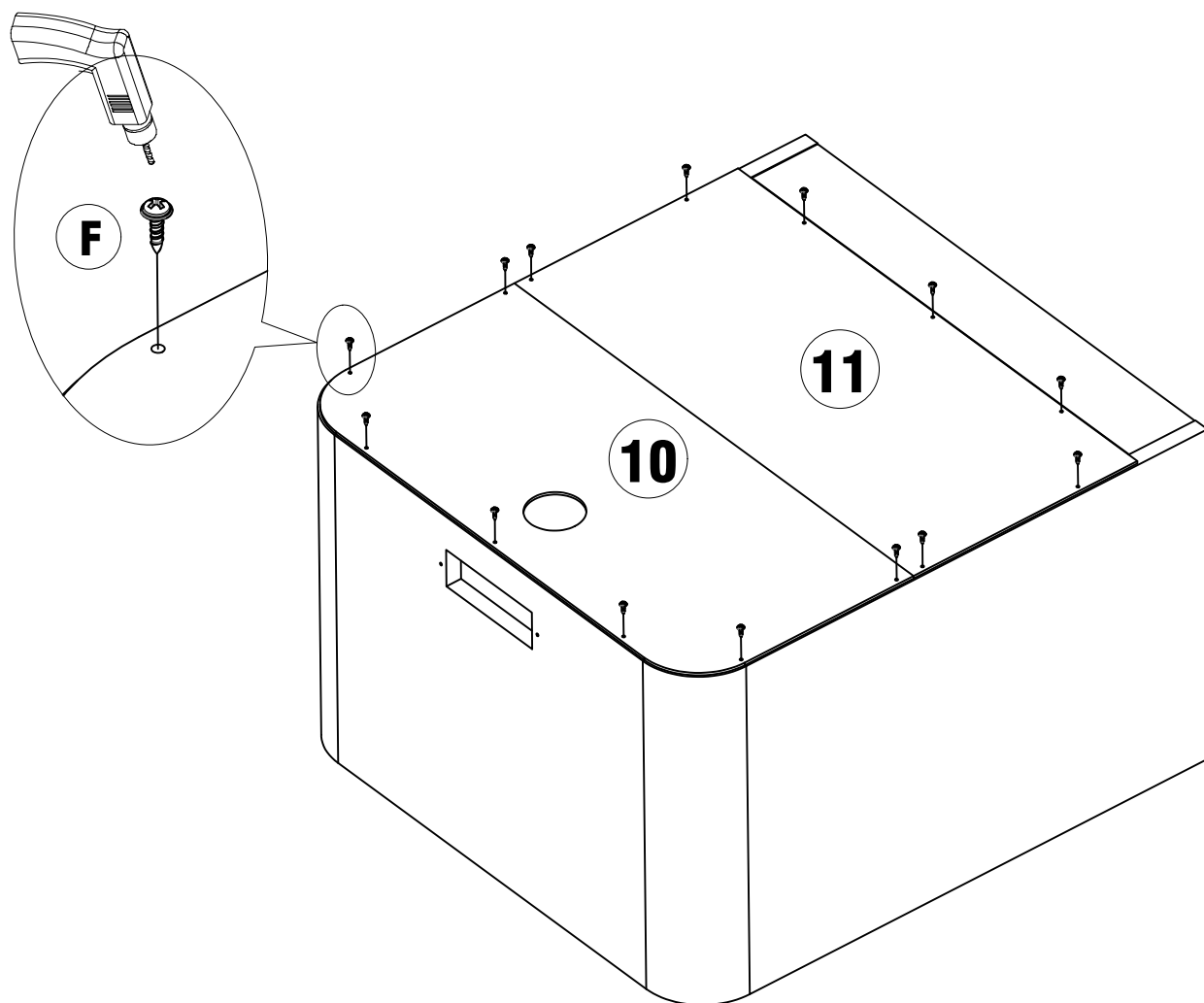


STEP 8

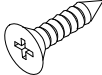
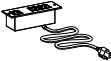


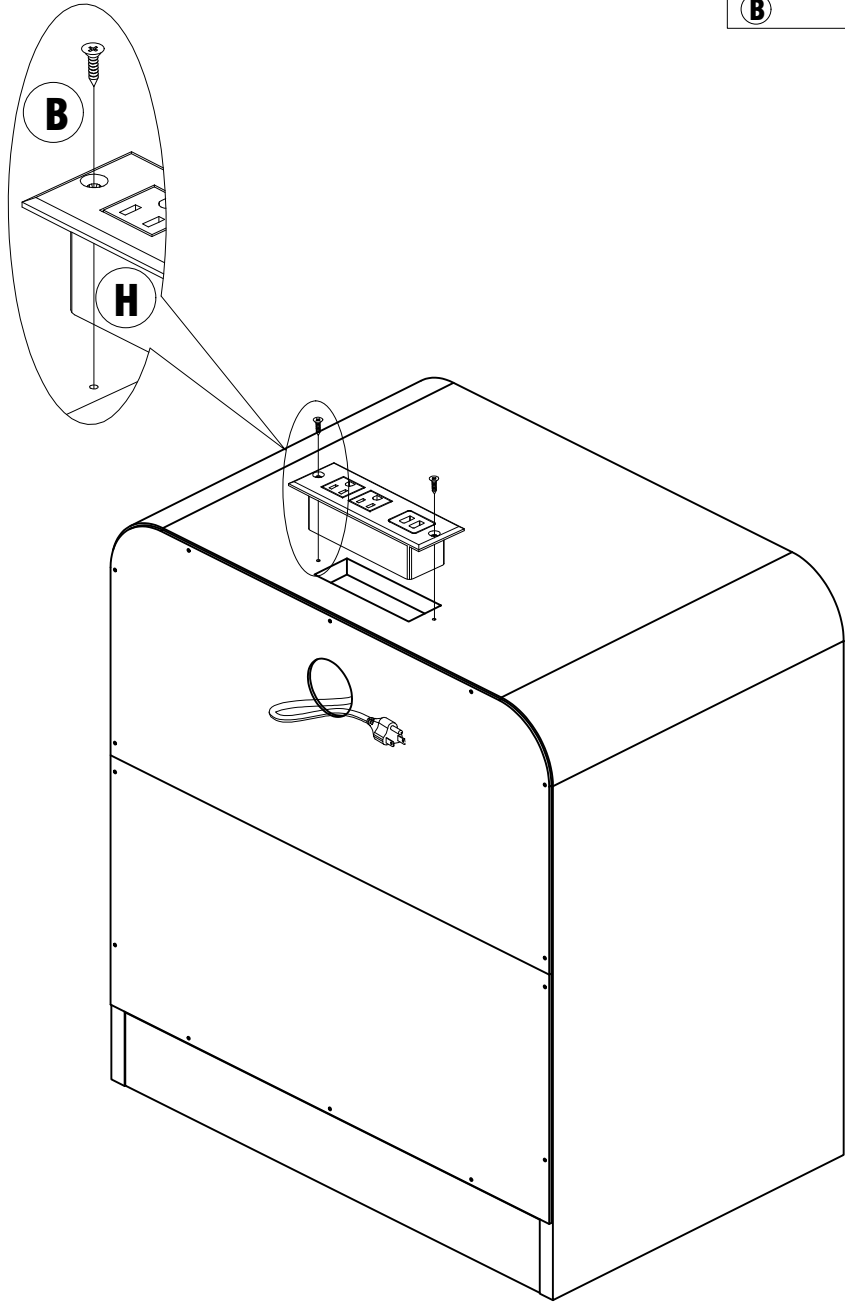
F

X14

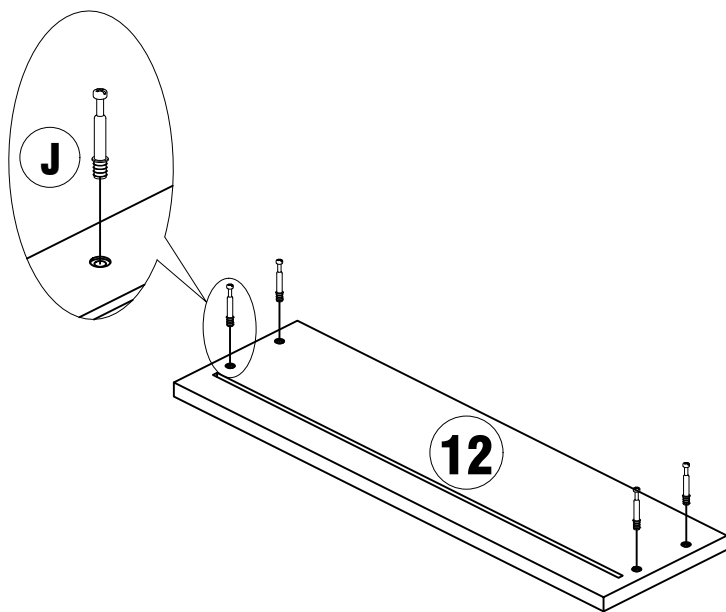
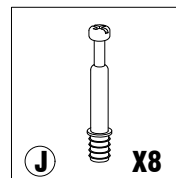


STEP 9

	
B	X2
H	X1

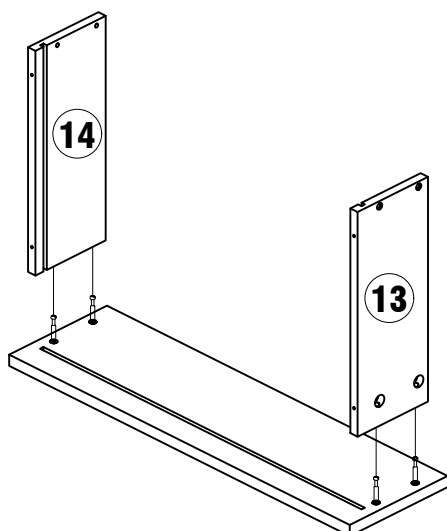


STEP 10



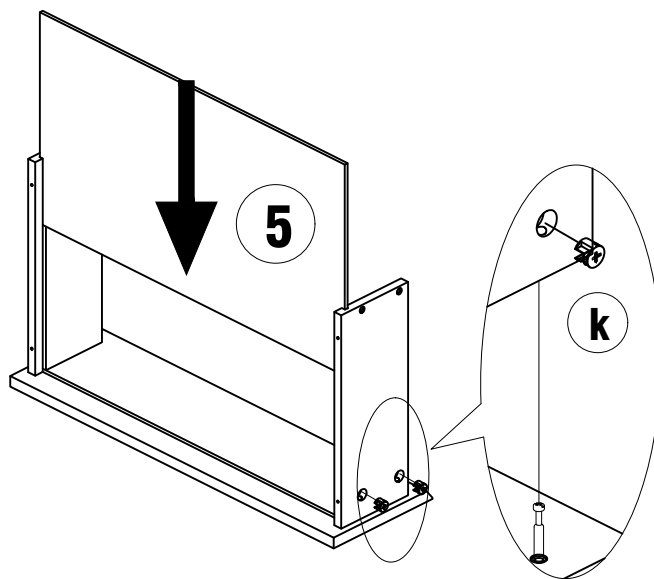
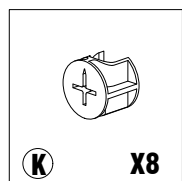
X2

STEP 11



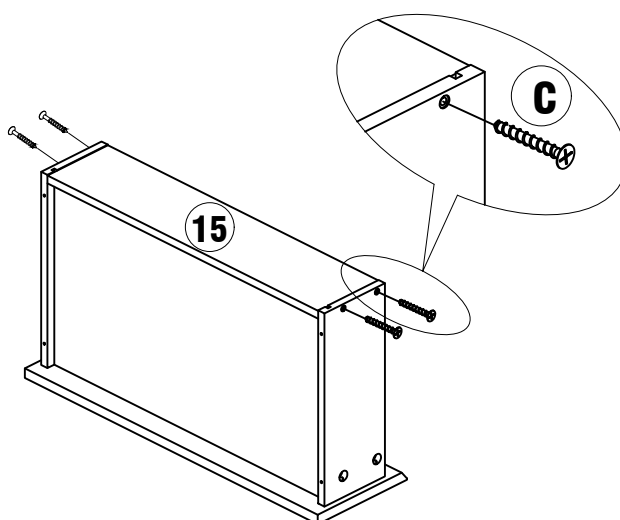
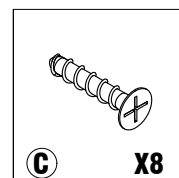
X2

STEP 12



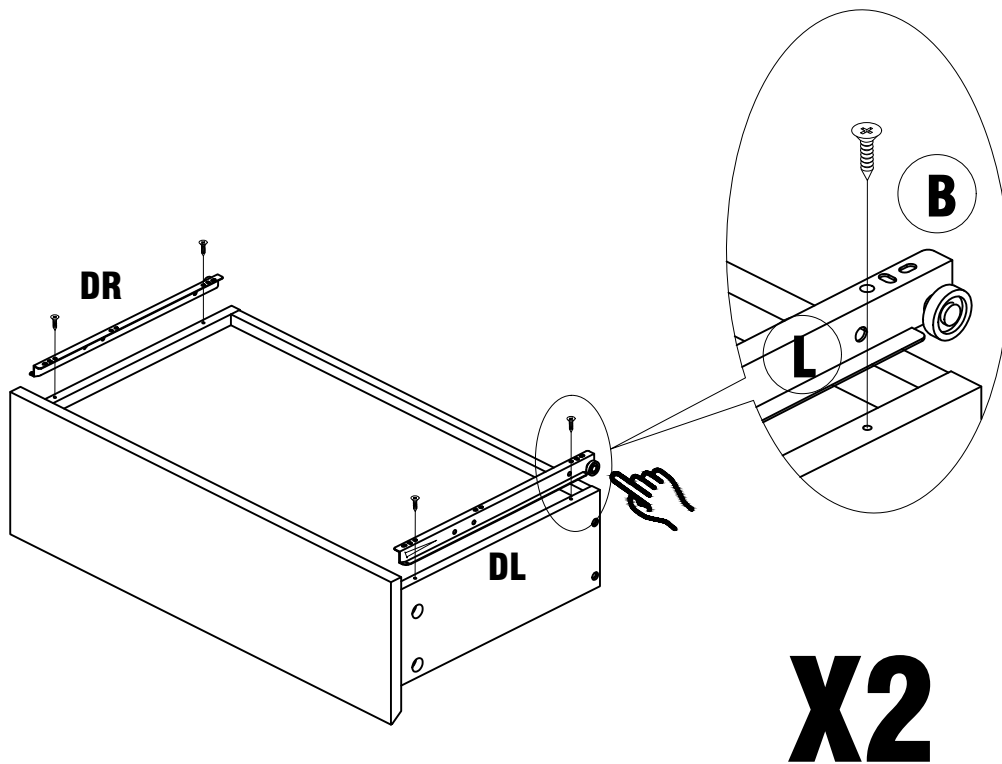
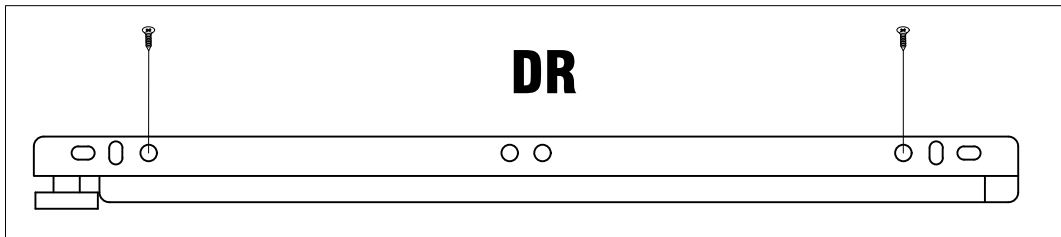
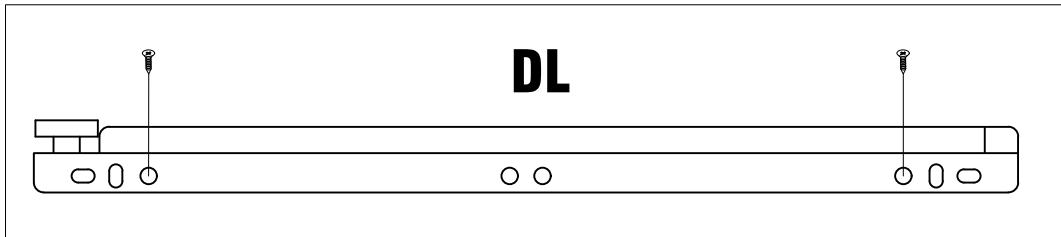
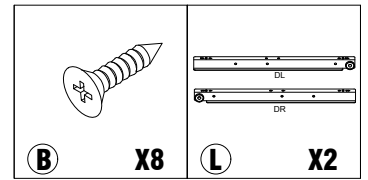
X2

STEP 13



X2

STEP 14



STEP 15

