

**ZBE SERIES**

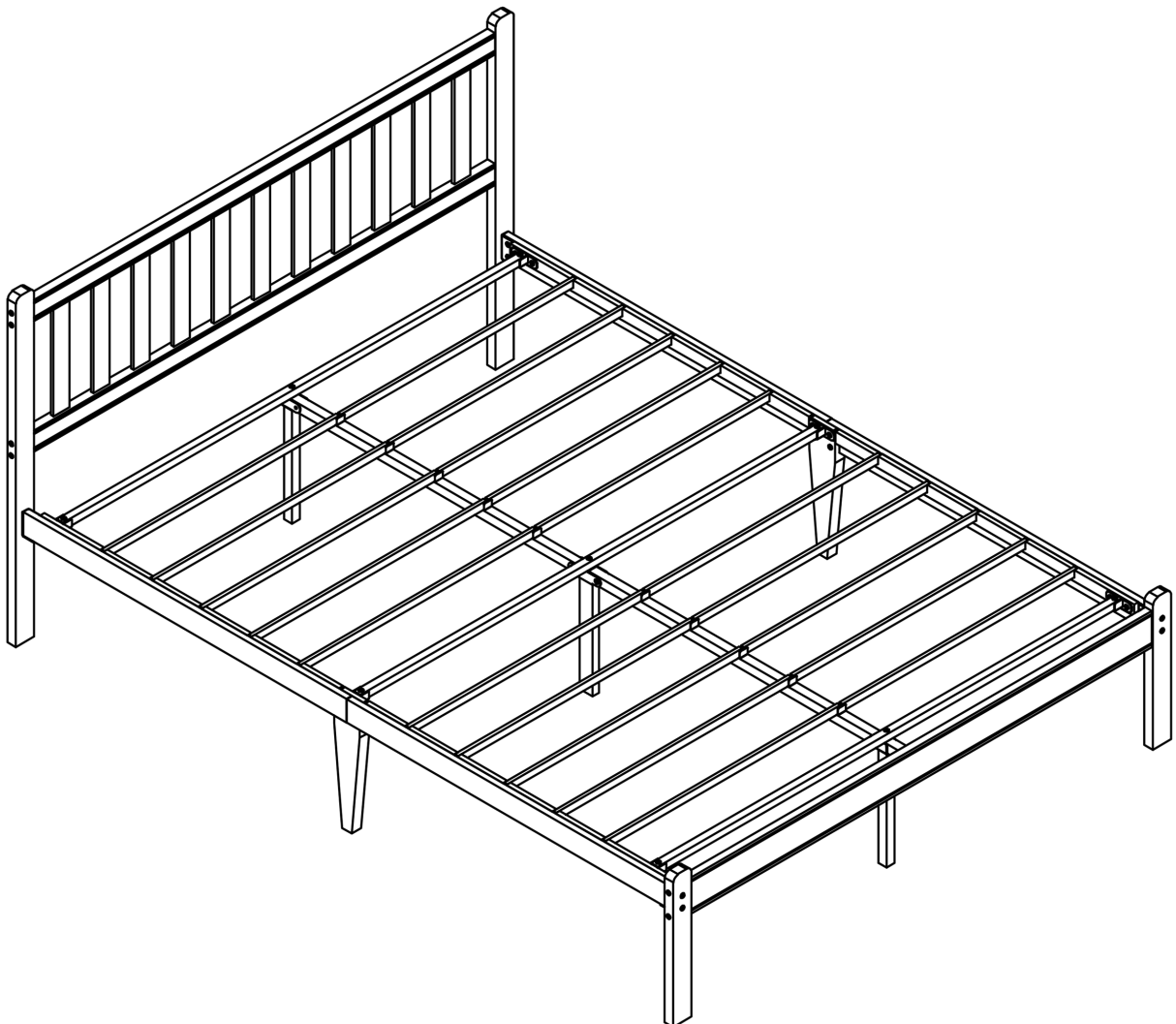
# ASSEMBLY & INSTRUCTION

**SIZE: QUEEN**

Notice: This instruction manual applies to Queen size.

**DO NOT RETURN DIRECTLY!**

If any parts are missing or damaged, we will gladly ship replacements free of charge.



Weight Limit: 1000 Lb / 454 Kg

# PLEASE READ BEFORE ASSEMBLY

## **\*\*Warranty Information\*\***

---

1. We warrant this product to be free from defects in materials and workmanship for three years from the date of original purchase. Proof of purchase is required for all warranty claims.
2. This warranty covers the repair or replacement of defective parts only; assembly labor is not included.
3. This warranty does not apply to product that has been improperly assembled, subjected to misuse or abuse, or altered or repaired in any way. Liability for consequential damages is excluded to the extent permitted by law.

## **\*\*Read Before Beginning Assembly\*\***

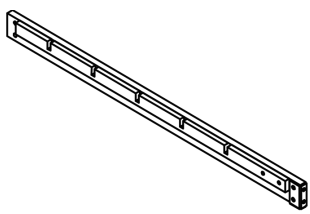
---

1. Clear the area: Assemble in a spacious area near the product's final location, preferably on a carpet or protected surface (like the product's cardboard packaging) to safeguard both your floor and the product.
2. Recommended Assembly Team: It is recommended that at least two people assemble this product. Having an extra hand can make the process easier. Estimated assembly time is 1 hour.
3. Check for all parts: Most parts are labeled or stamped on the raw edge. Ensure all parts are included before starting.
4. Read each step carefully: Follow the assembly steps in the correct order. Skipping steps or changing the sequence can lead to difficulties.

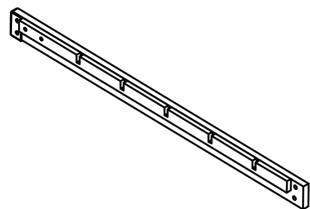
## **\*\*Caution\*\***

---

1. **Bamboo Node Color** - Due to the natural characteristics of bamboo, variations in grain depth are normal.
2. **Power tools not recommended** - Power tools can strip or damage parts and void the warranty.
3. **Important** - Do not fully tighten any bolts until the entire unit is assembled. This will allow for proper alignment and adjustment during the assembly process.



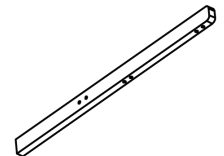
① Left side beam  
2\*PCS



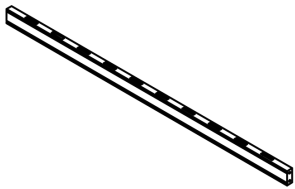
② Right side beam  
2\*PCS



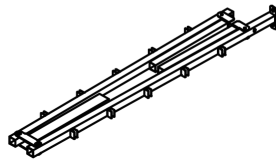
③ Side and corner posts  
2\*PCS



④ Bedposts  
2\*PCS



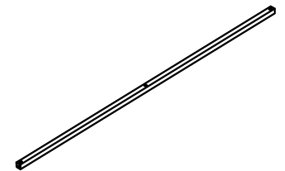
⑤ Headboard beam  
2\*PCS



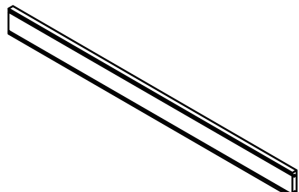
⑥ Center erection  
1\*PC



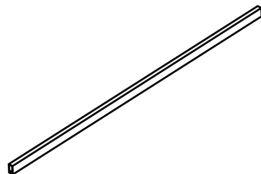
⑦ Headboard  
11\*PCS



⑧ Amidship  
3\*PCS



⑨ Bed tail plate  
1\*PC



⑩ Bed surface tube  
20\*PCS



⑪ Connector  
6\*PCS



⑫ Foot of bed  
2\*PCS

### Hardware Kit



A×14PCS  
M8×27mm



B×8PCS  
M8×36mm



C×12PCS  
M6×75mm



D×3PCS  
M8×53mm



E×10PCS  
M8×14mm



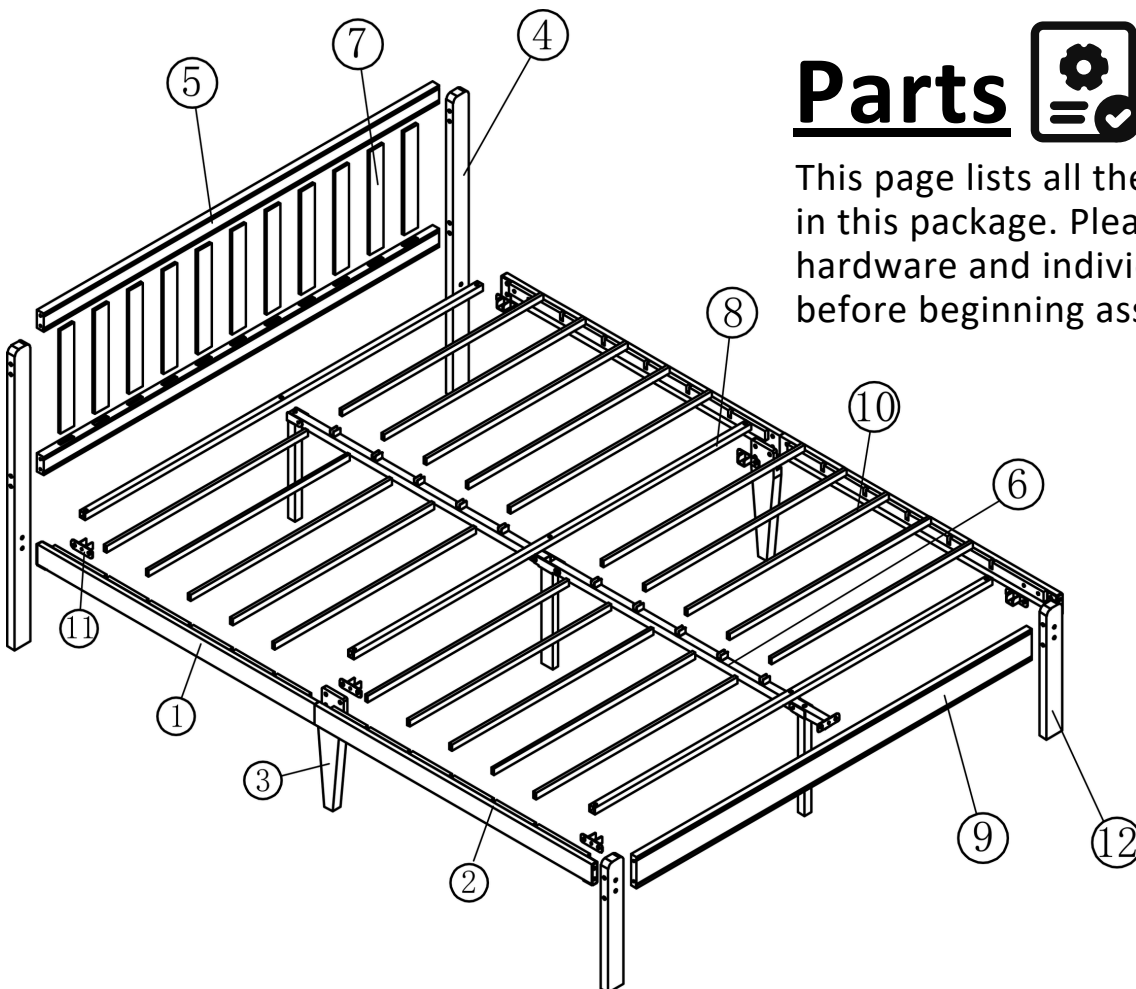
F×4PCS

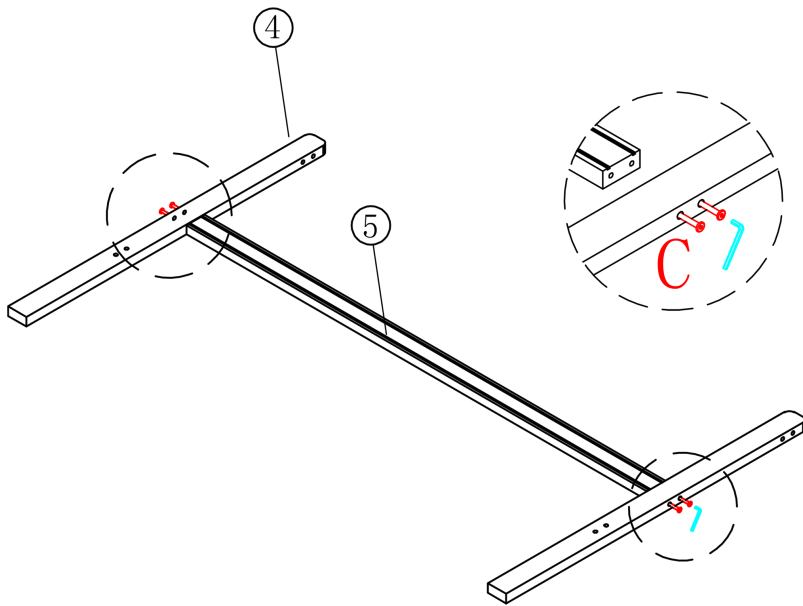


## Parts



This page lists all the items included in this package. Please identify the hardware and individual components before beginning assembly.

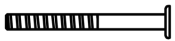




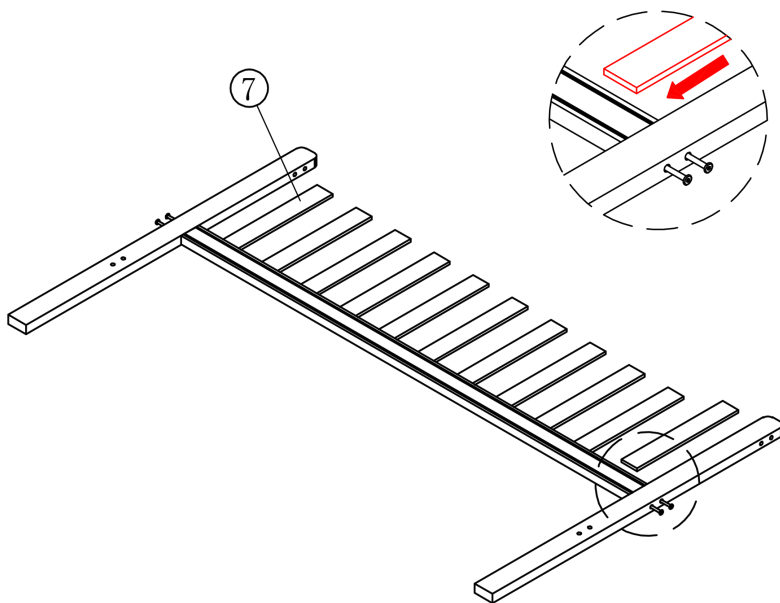
## Step 1

### Connect the Headboard Beam

- Attach Headboard beam (5) to the bedposts (4) using four bolts (C).



Cx4PCS  
M6\*75mm



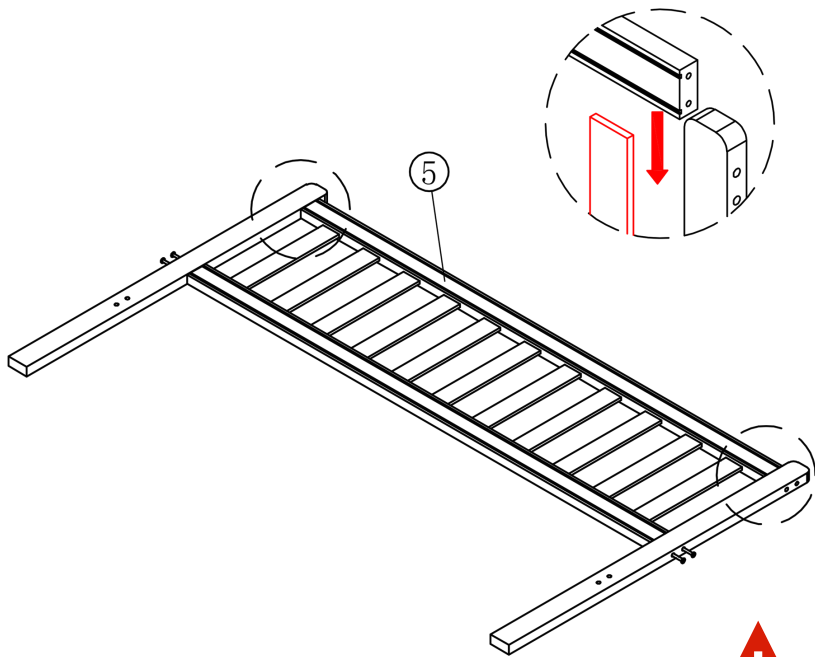
## Step 2

### Attach the Headboard Slats

- Take each headboard slat (7) and insert them one at a time.
- Slide each slat into the pre-drilled holes on the headboard beam.



**Note:** Follow the direction indicated by the red arrow in the detailed view for proper installation.



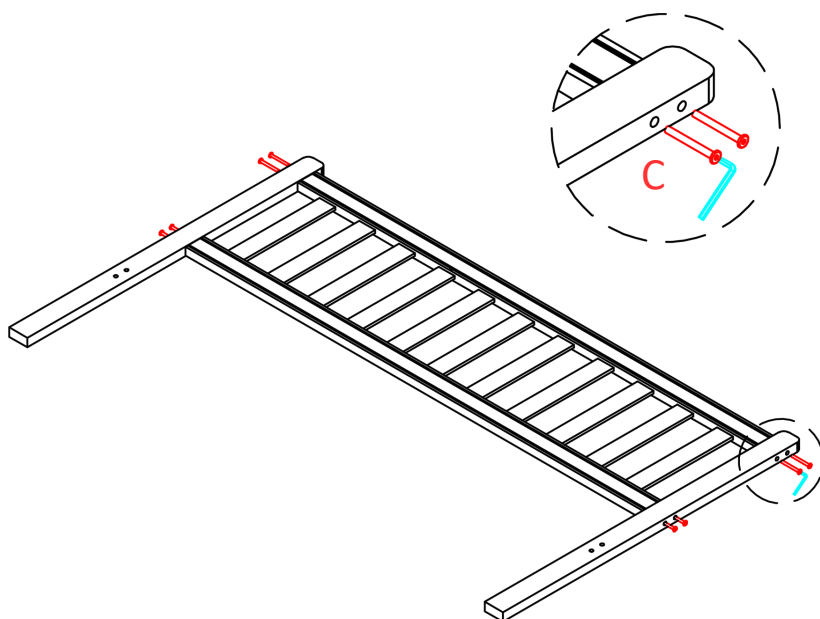
## Step 3

### Attach the Remaining Support Beams

- Take the remaining headboard beams ⑤.
- Line them up with the corresponding slots on the backboard from Step 2.
- Slide each beam down firmly.



**Note:** The red arrow shows the downward installation direction.



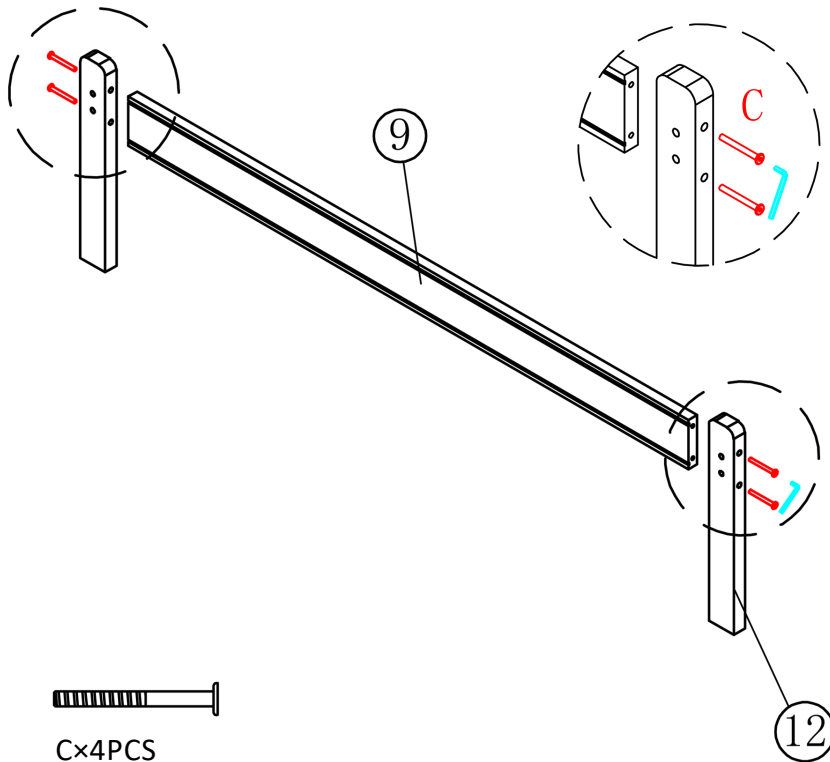
## Step 4

### Complete the headboard assembly

- Fully tighten the 4 bolts (C) that were installed in Step 3.
- Secure the remaining 4 bolts (C) from Step 1.



Cx4PCS  
M6\*75mm

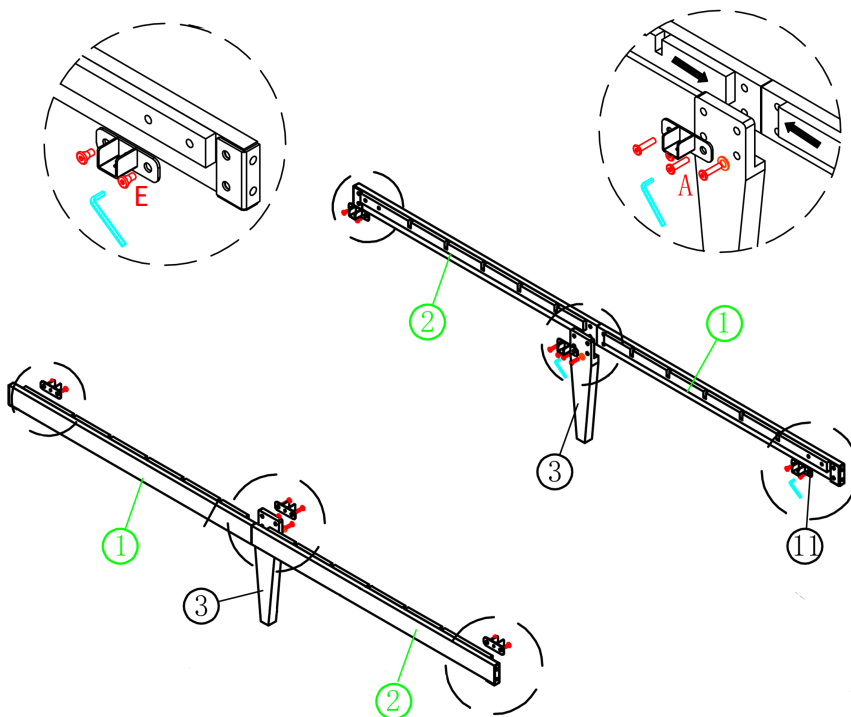


C×4PCS  
M6\*75mm

## Step 5

### Footboard Assembly

- Position the footboard rail (9) between the two footboard posts (12).
- Insert the bolts (C) through the pre-drilled holes.
- Hand-tighten all bolts first to ensure proper alignment.
- Once aligned, fully tighten all bolts with appropriate tools.



A×8PCS  
M8\*27mm

E×8PCS  
M8\*14mm

F×4PCS

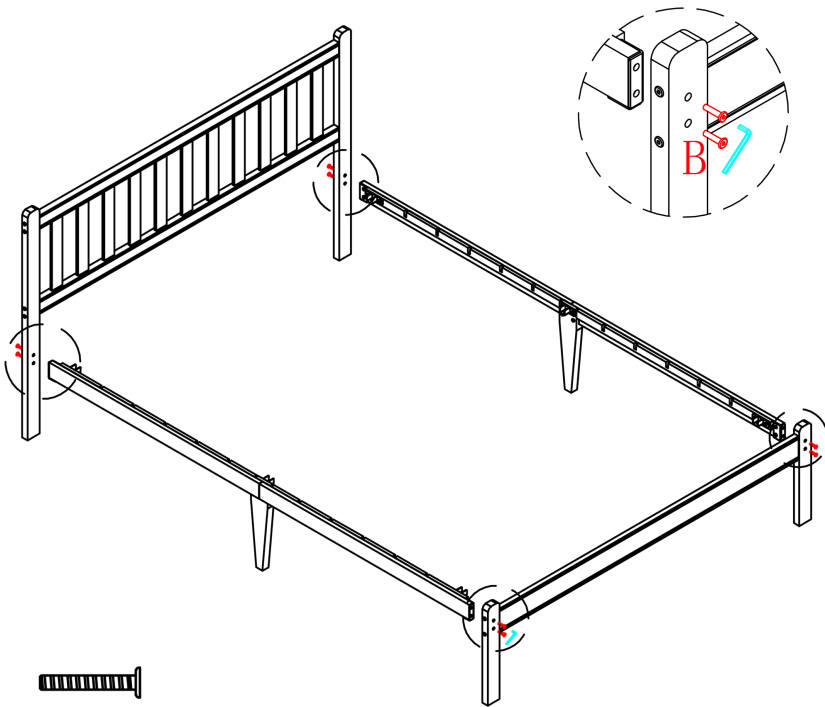


**Note:** (F) is required when using bolts (A) to install the lower two holes of (3).

## Step 6

### Assembly of Side Rails

- Connect the left beam (1), right beam (2), and middle support foot (3) using connectors (11) and bolts (A).
- Secure the connector at each end of the side rail assembly to the bed frame using bolts (E).
- (F) Installed in the two lower holes of (3).



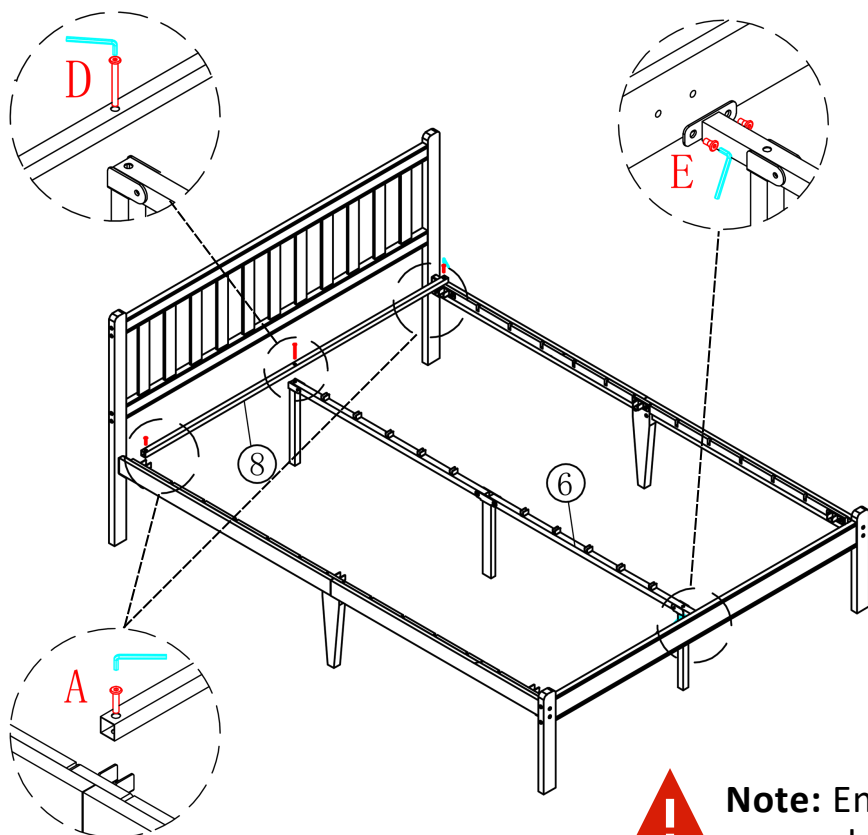
## Step 7

### Assembling the Bed Frame

- Secure the headboard, footboard, and side rails with bolts (B).
- Once all bolts are in place, use the provided Allen wrench to fully tighten each bolt.



B×8PCS  
M8\*36mm



## Step 8

### Assembling the Center Support frame

- Attach the center pole (6) to both ends of the bed frame using bolts (E).
- Position the center cross support (8) onto the center pole.
- Secure the center cross support using the connector and bolts (A)(D).



**Note:** Ensure all connections are tight and secure before proceeding to the next step.



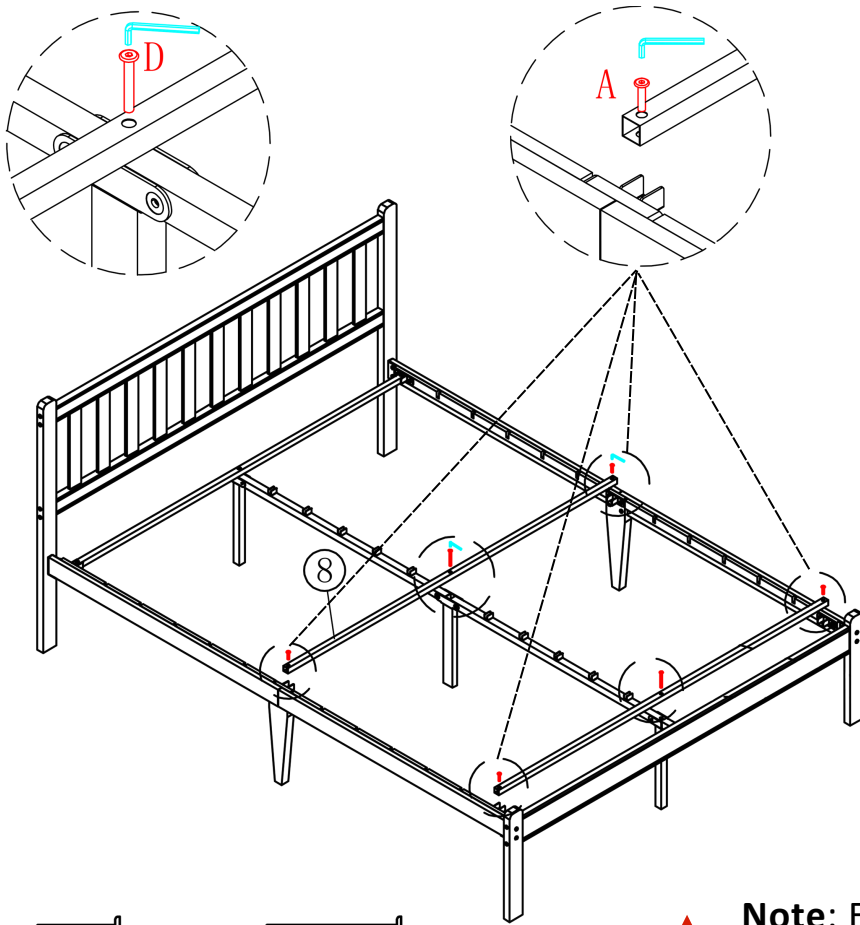
A×2PCS  
M8\*27mm



D×1PCS  
M8\*53mm



E×2PCS  
M8\*14mm



## Step 9

### Installing the Middle Support Tubes

- Secure both sides of the two middle transverse tubes ⑧ using bolt (A).
- Secure the middle of the two middle transverse tubes ⑧ using bolt (D).



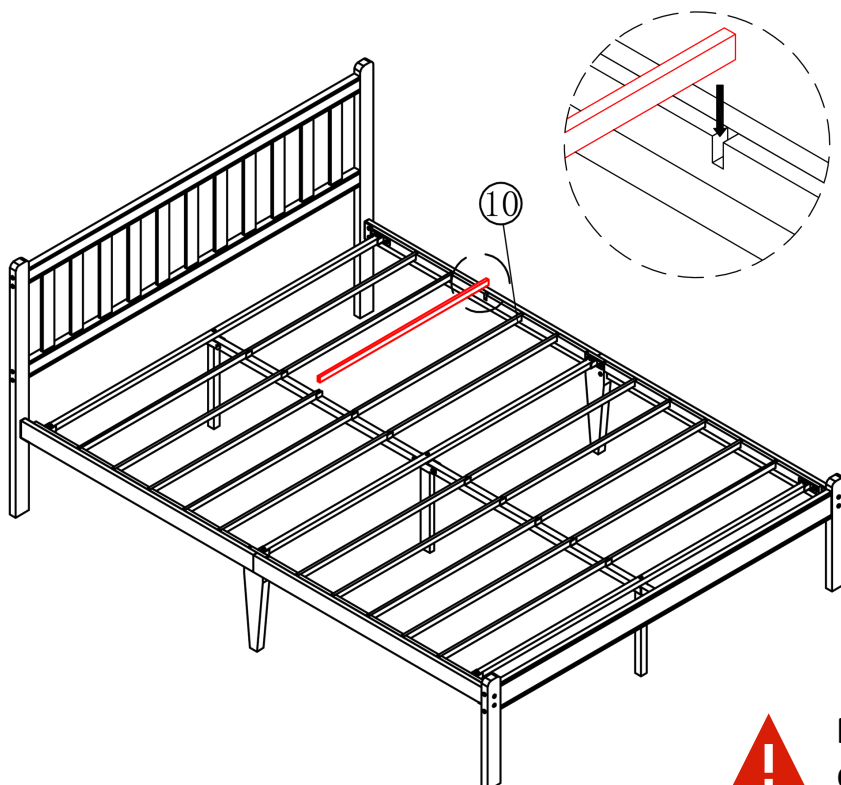
A×4PCS  
M8\*27mm



D×2PCS  
M8\*53mm



**Note:** Ensure all connections are properly aligned before final tightening. This step is crucial for the bed's stability.



## Step 10

### Installing the Bed Slats

- Place all bed slats ⑩ across the side rails.



**Note:** Before completing assembly, double-check that all screws and components are fully tightened.

# IMPORTANT INFORMATION

## **\*\*REPLACEMENT PART OR HARDWARE REQUEST\*\***

---

- ★ Request a replacement by logging into the marketplace account in which the purchase was made and sending a message to the seller. To expedite the request, attach applicable images relevant to the request and/or include the part number and quantity.

## **\*\*Warnings\*\***

---

1. Age Restriction: The bed is not designed for children under 4 years old.
2. For your safety: Jumping, rough play, or other vigorous activities on the bed are not recommended as they may cause injury or damage to the bed frame.
3. Weight Limit: The maximum combined weight on the bed should not exceed 1000 lbs. This includes the weight of the bed itself, mattresses, bedding, and people.
4. Do not drag or push the bed frame: Always use two people to lift and reposition the bedframe to avoid damage to the frame or the floor.

## **\*\*Cleaning & Care\*\***

---

1. Cleaning Method: Use a dry or slightly damp soft cloth for cleaning. Avoid abrasive cleaners, which can damage the finish.
2. Hardware Maintenance: Over time, hardware can loosen. Regularly check and tighten all connections to maintain the bed's stability and prevent damage.

**Please keep these instructions for future reference!**