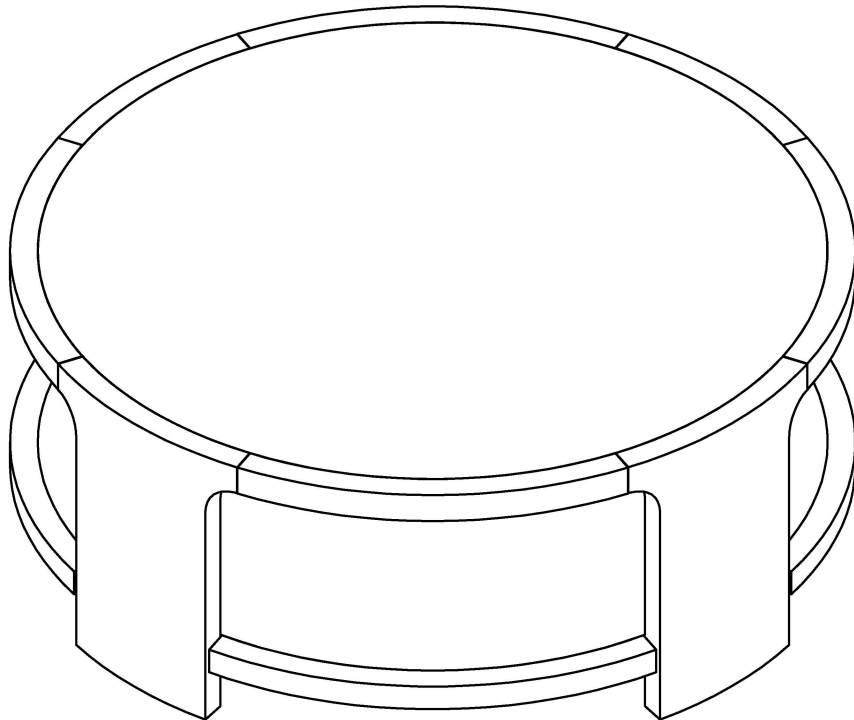


# Owner Manual

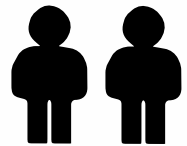


Weight Capacity

150 LBS



Installation:  
10 minutes.



Two Person

---

Thank You For Choosing Our Furniture

- ▾ If you have any questions or concerns,  
don't hesitate to reach out to us. ▴

## NOTE:






This brochure contains  
**IMPORTANT** safety info.  
Please read and keep it  
for future reference.

# MAINTENANCE AND WARNINGS



## Before You Start

### **Please follow the steps below:**

-  Check the packaging for any damage, deformation, or water stains. If there is significant damage, please contact us promptly.
-  Unpack the box and compare the contents with the parts list and hardware list to ensure all components and accessories are present and complete.
-  Please read the installation instructions carefully to understand the installation steps and precautions to ensure proper installation.
-  Clean the installation area in advance and ensure the ground is level and there is enough space to avoid damaging the furniture or making installation difficult.
-  Lay a protective mat on the ground to prevent scratching the floor during installation.

### **After-Sales Service**

- If you encounter any issues or need technical support during use, please contact our after-sales team. We offer long-term maintenance and warranty services.



## Precautions

- ⚠ This product is for indoor use only. Do not expose it to outdoor elements or high-humidity environments.
- ⚠ Keep the product away from high heat or open flames to prevent fire hazards.
- ⚠ Do not allow children to climb on the product, as this may cause tipping and result in personal injury.



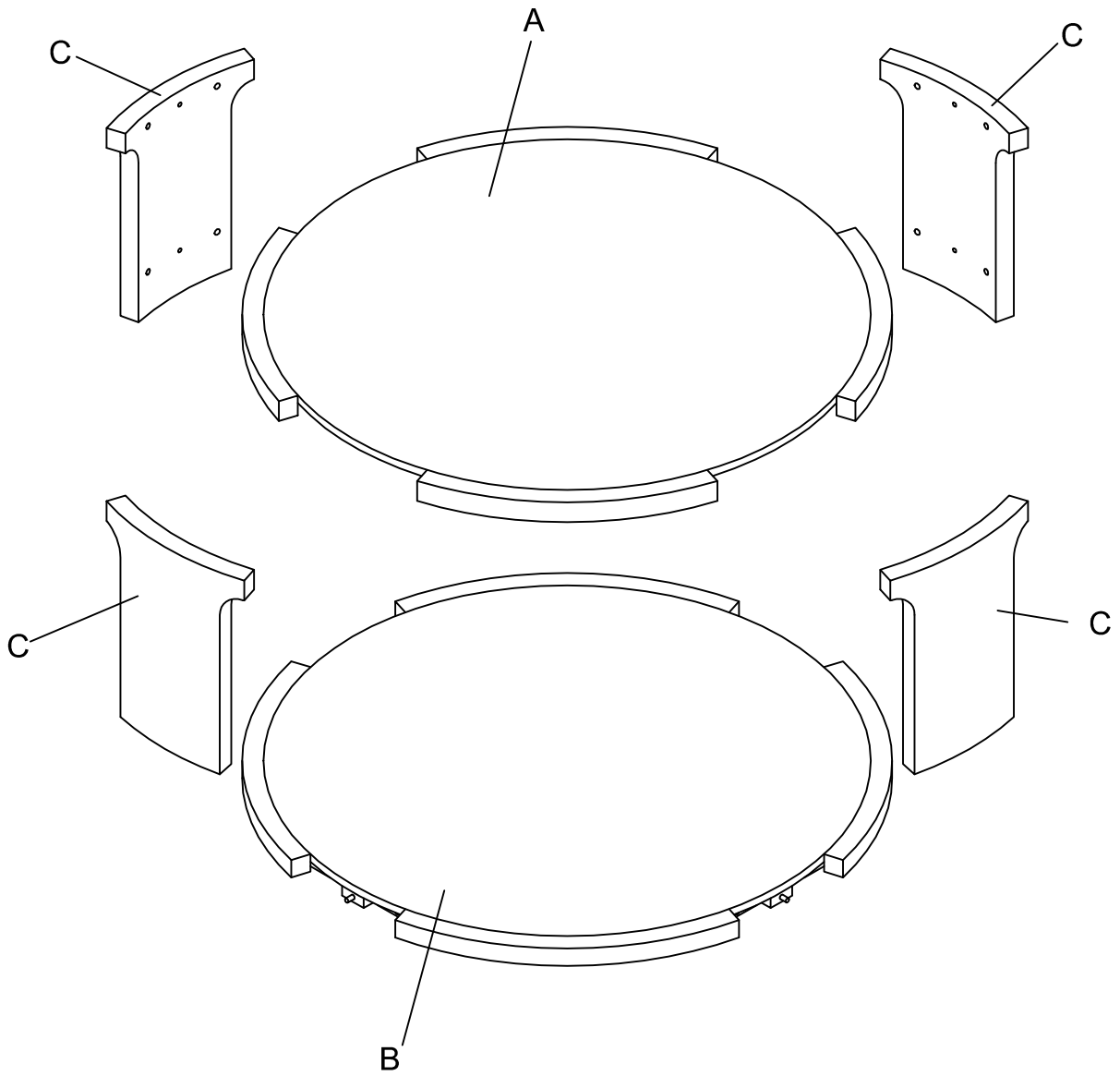
## Safety Warnings

- ⚠ If you notice any loose or damaged parts, stop using the product immediately and contact customer service.
- ⚠ Do not attempt to disassemble or replace any components yourself, as this may affect the stability and safety of the product.

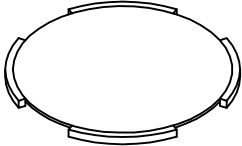
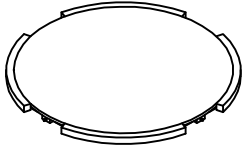
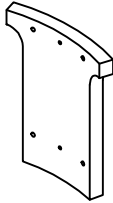
### Daily Maintenance

- Regularly clean the surface with a soft cloth to prevent dust accumulation.
- Do not use cleaning agents containing acids, alkalis, or corrosive substances, as they may damage the surface. It is recommended to use neutral cleaning agents or specialized furniture cleaners.
- Avoid exposing furniture to humid environments for extended periods. Use a dehumidifier or desiccant during humid weather.
- Avoid direct contact of furniture with water. If water is accidentally spilled, wipe it dry immediately.
- Avoid placing excessively heavy objects on the furniture: ensure the weight is within a reasonable load-bearing range.
- Avoid using sharp or rough items on the furniture surface to prevent scratches. Handle items gently when moving them.

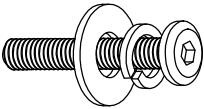
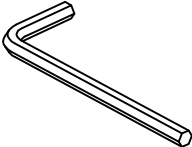
**Explosive view**



## Parts list

A x1 	B x1 	C x4 
---	---	---

## Hardware List

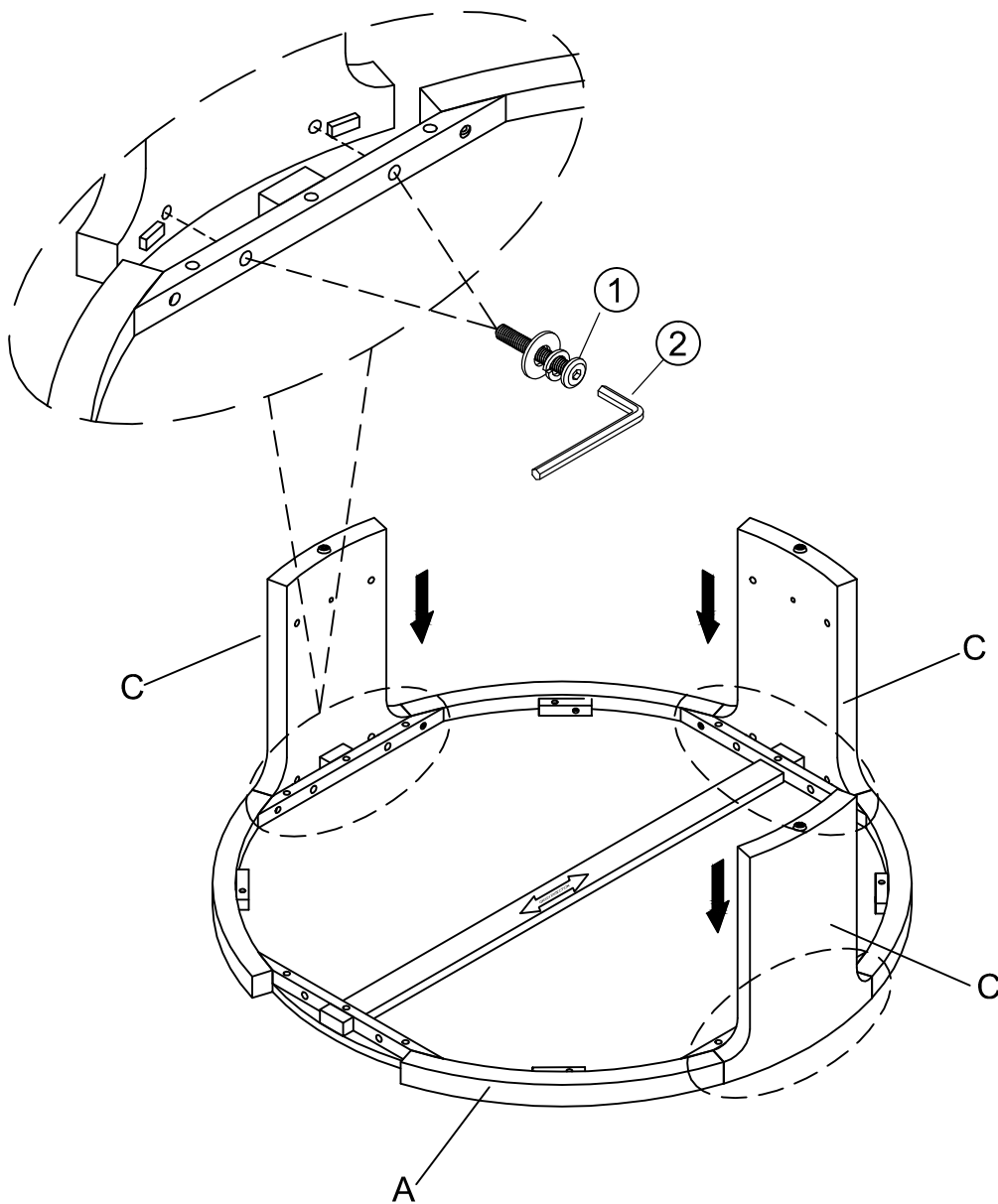
①x16+1  Ø1/4"x57mm	②x1  M4
---	--

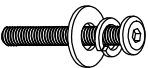



**Note: Before installing the screws, please first distinguish the length of the screw rods.**

**Step 1**

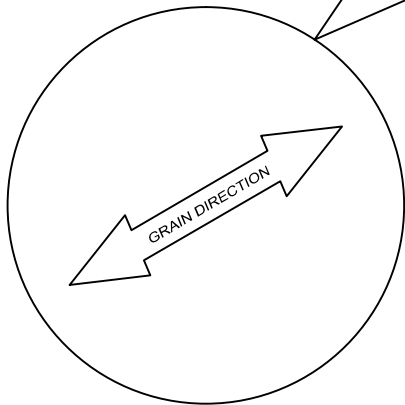
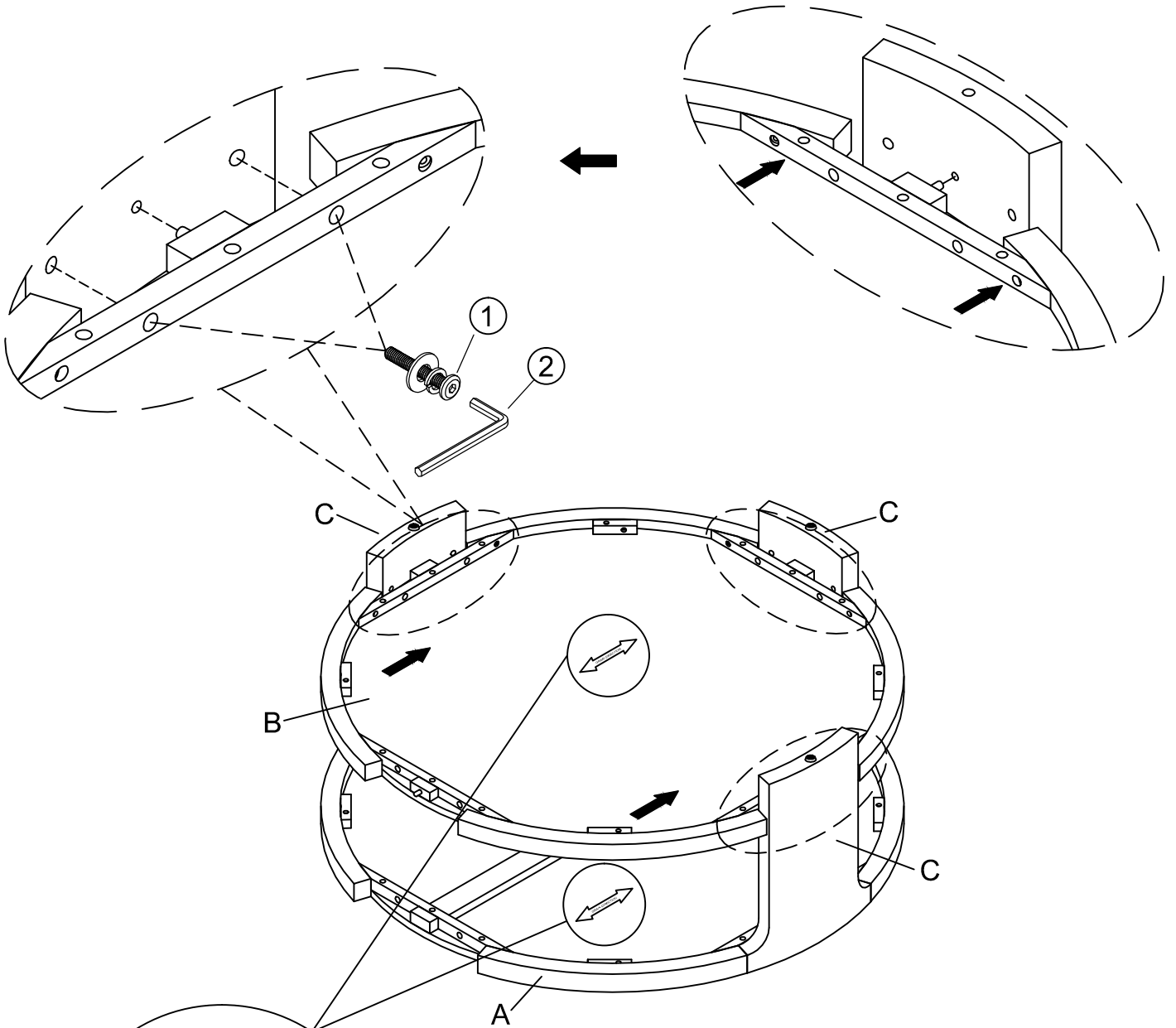
1. Insert part (C) into part (A), make sure all holes align aligned using bolt (1), then no tighten the bolt with an Allen key (2).  
(Loosen bolt to 70% for easier assemble in the next step).



①x6	②x1
	
Ø1/4"x57mm	M4

**Step 2**

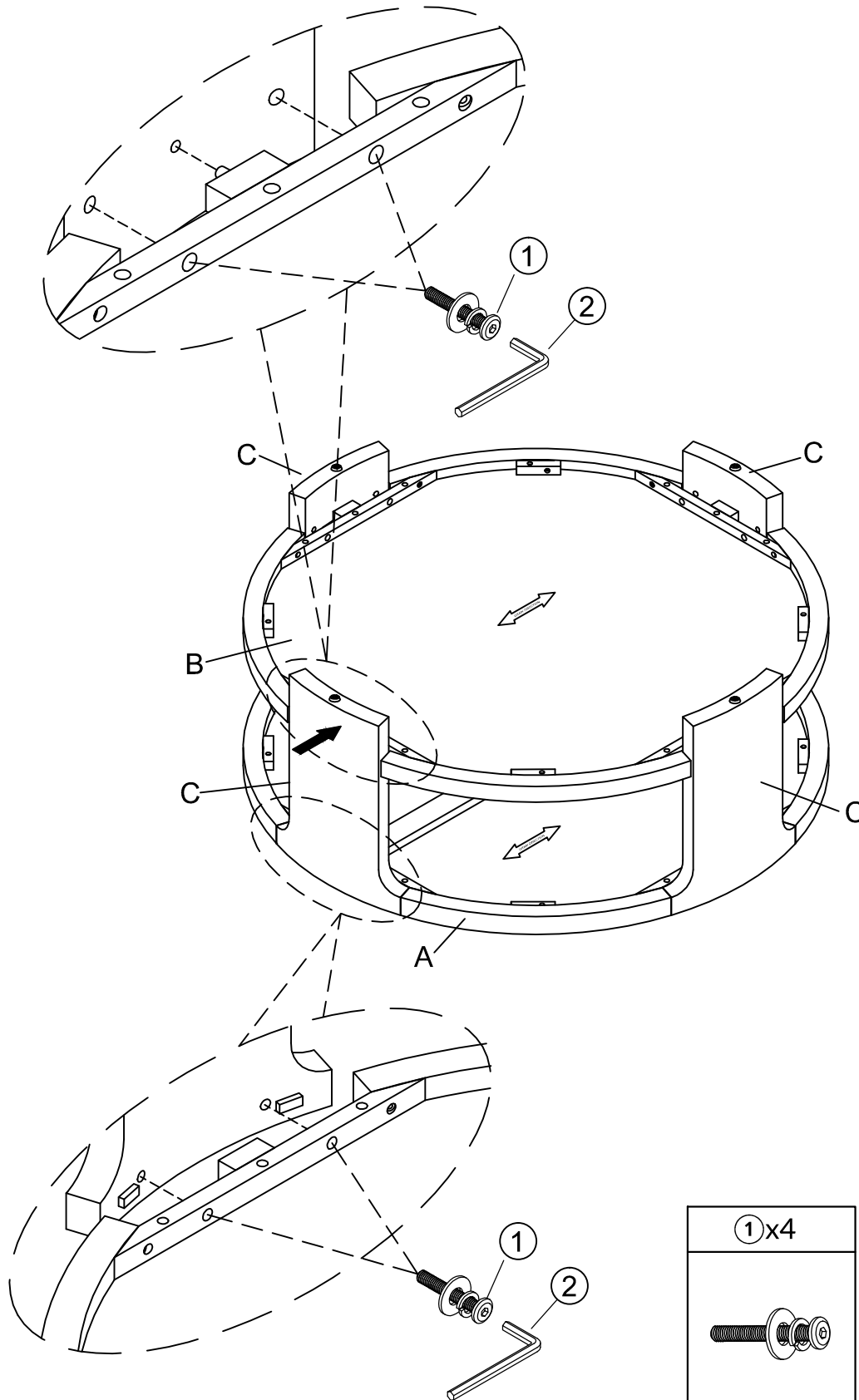
1. Insert part (B) into part (A&C), make sure all holes align aligned using bolt (1), then tighten the bolt with an Allen key (2).



①x6	②x1
Ø1/4"x57mm	M4

**Step 3**

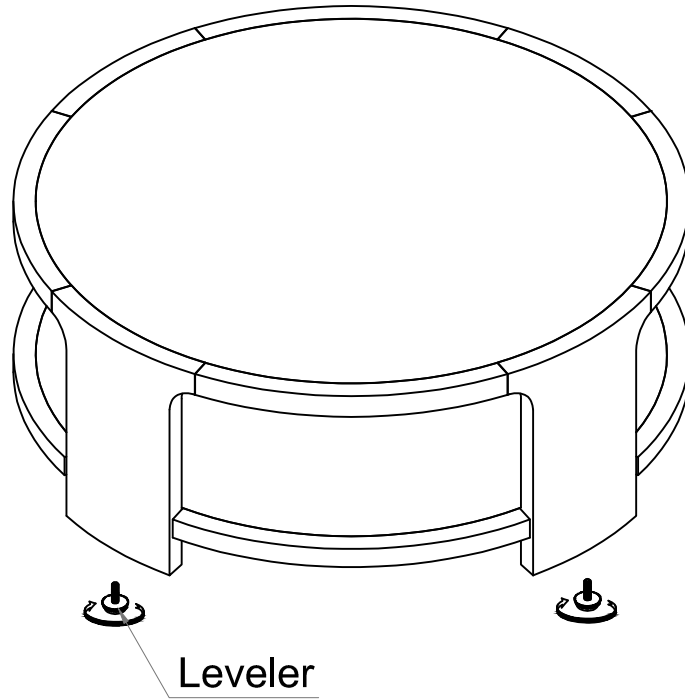
1. Insert part (C) into part (A&B), make sure all holes align aligned using bolt (1), then tighten the bolt with an Allen key (2).



①x4	②x1
Ø1/4"x57mm	M4

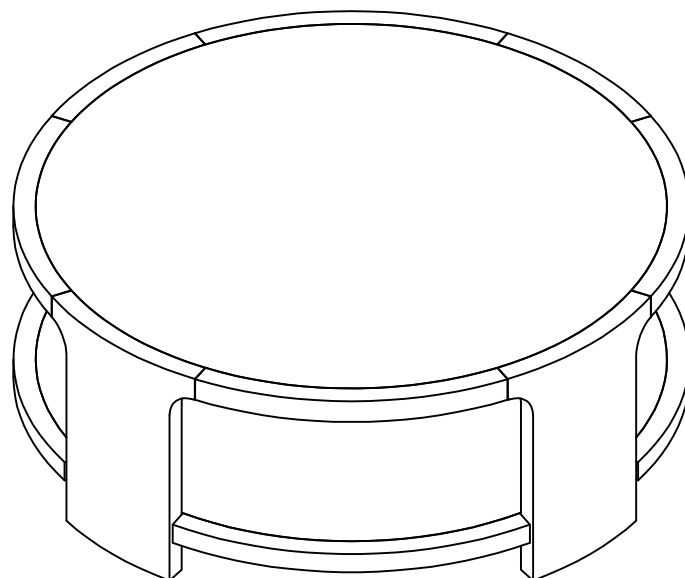
**Step 4**

1. Adjust the leg levelers as needed.



**Step 5**

1. Complete



# WARRANTY

- We strive to offer quality products, and we also try our best to satisfy every customer who orders from us with products or services as needed.
- Replacement parts can be purchased from our company if available.
- For returns, please check the return policy with the retailer or marketplace where you purchased the item.

We appreciate your purchase.  
Brighten your life with our furniture!