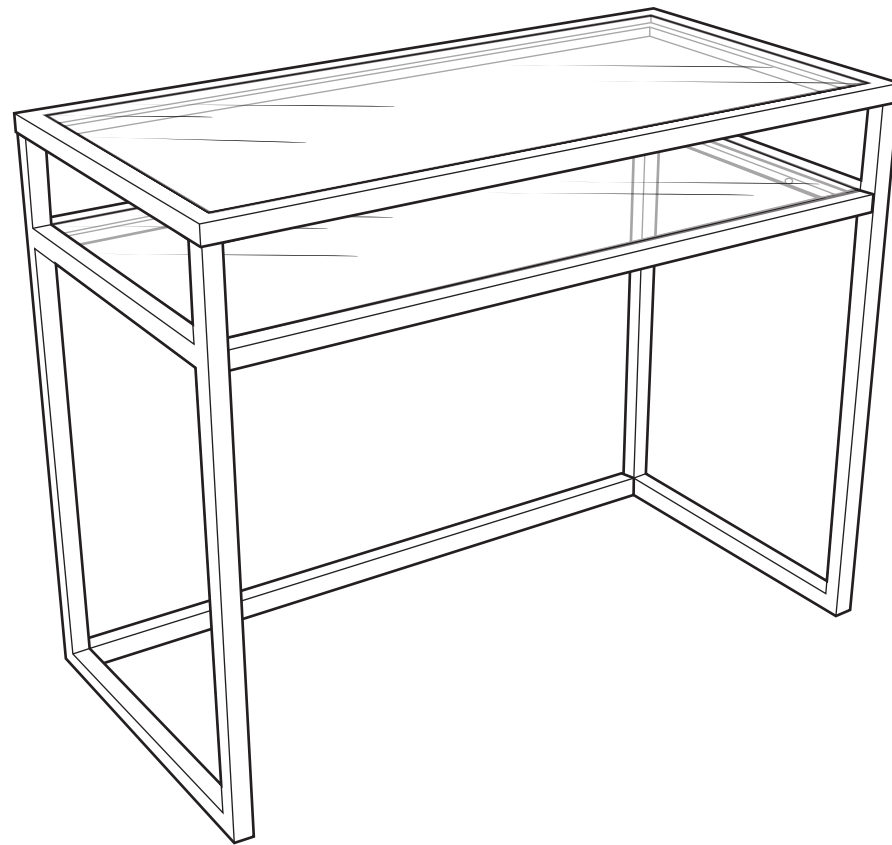


Instruction Manual

Console Table



IF YOU FIND A DEFECTIVE PART

We fully stock all parts and components. Any defective part can be quickly replaced. Take note of the defective part number in manual and we will arrange a quick replacement.

COPYRIGHT

All material in this instruction manual is copyrighted

Any unauthorised use may violate worldwide copyright, trademark and other laws.

CONTENTS

Safety and care advice	1
Components	2
Assembly instructions	4
Copyright	13



Wall fixings

Step by step

Important

When drilling into walls always check there are no hidden wires or pipes etc. Make sure that the screws and wall plugs being used are suitable for supporting your unit. If you are unsure, we recommend you consult a qualified person.

Hints

1. General Rule; Always use a larger screw and wall plug if you are not sure.
2. Ensure you use the recommended drill bit to match the wall plug and hole size.
3. Ensure you drill the hole horizontally, do not force the drill or enlarge the hole.
4. Take extra care when drilling high walls, ceilings and ceramic tiles. Ensure the plug is fitting below the ceramic tile to avoid splitting or cracking.
5. Ensure wall plugs are well fitted and are a tight fit in the drilled hole.

Types of Walls

You can use one of the following types of wall plug if your walls are made of brick, breeze block, concrete, stone, wood or plastic board.

1. STANDARD Wall Plug

General wall materials

These come in various sizes and are made from plastic or sometimes wood fibre.

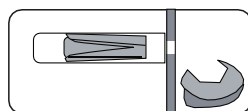
2. GENERAL PURPOSE Wall Plug

Aerated/Breeze block

Generally aerated blocks should not be used to support heavy loads, use a specialist fitting in this case. For light loads, a General Purpose Plug can be used.

3. SHIELD ANCHOR Wall Plug

Heavy loads



For use with heavier loads such as TV & Hi-fi Speakers and Satellite Dishes etc.

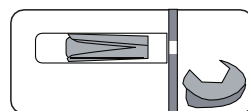
4. CAVITY FIXING Wall Plug

For use with plaster board partitions or hollow wooden doors.

5. CAVITY FIXING HEAVY DUTY Wall Plug

For use with plaster board partitions or hollow wooden doors.

6. HAMMER FIXING Wall Plug



For use with walls stuck with plaster board. The hammer fixing allows it to be fixed to the wall rather than the plaster board. Always check the fixing is secure to the retaining wall.

Care and Maintenance

Safety

Always check the fitting and location to ensure your safety in and around the home.

Fitting

From time to time check the fitting to ensure the wall plugs or screws do not become loose.

⚠ SAFETY AND CARE ADVICE ⚠

PLEASE READ THESE INSTRUCTIONS CAREFULLY AND KEEP FOR FUTURE REFERENCE

- **Warning:** Please lift with care.
- Check you have all the components and tools listed on pages 2 and 3.
- Remove all fittings from the plastic bags and separate them into their groups.
- Keep children and animals away from the work area, small parts could choke if swallowed.
- Make sure you have enough space to lay out the parts before starting.
- Do not stand or put weight on the product, this could cause damage.
- Assemble the item as close to its final position (in the same room) as possible.
- Assemble on a soft level surface to avoid damaging the unit or your floor (use opened out unit carton).
- We do not recommend the use of power drill/drivers **for inserting screws**, as this could damage the unit. Only use hand screwdrivers.
- Dispose of all packaging carefully and responsibly.



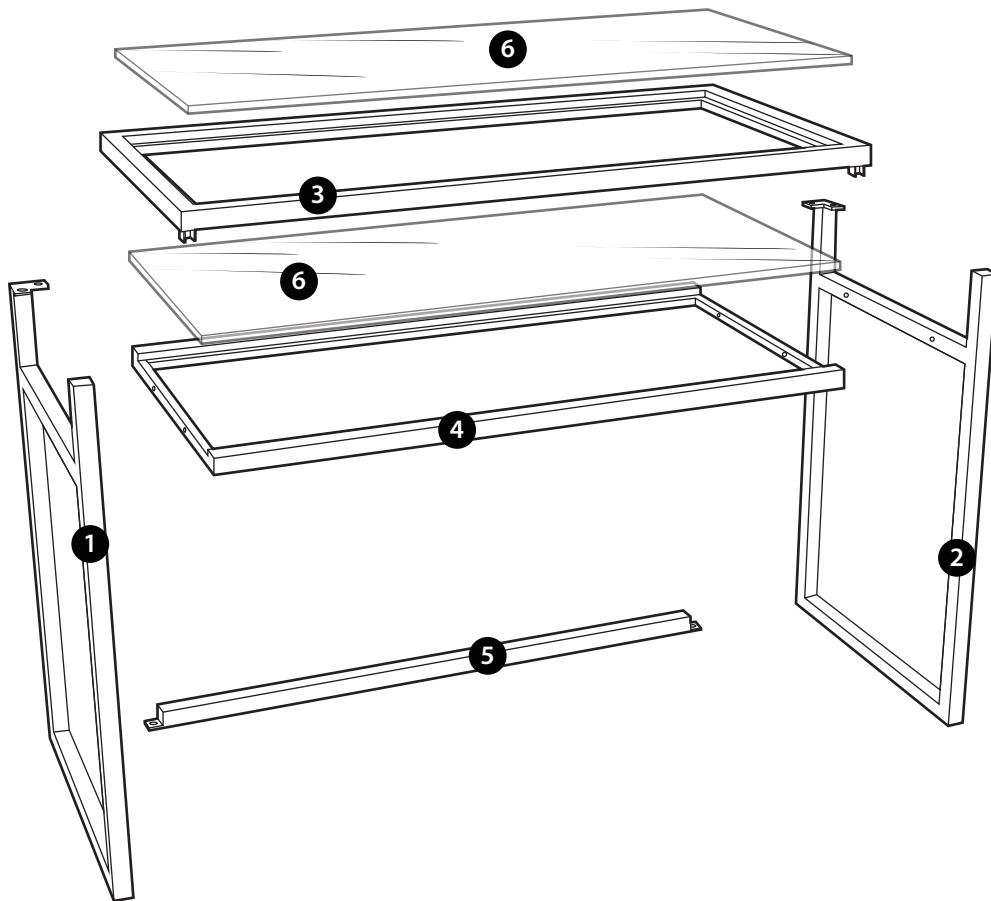
CARE AND MAINTENANCE

- Only clean using a damp cloth and mild detergent, do not use bleach or abrasive cleaners.
- This product should not be discarded with household waste. Take to your local authority waste disposal center.
- From time to time check that there are no loose screws on this unit.

Note If required the next page can be cut out and used as reference throughout the assembly. Keep this page with these instructions for future reference.

COMPONENTS

Please check you have all the panels listed below:



1	Left Leg Frame	x1	4	Shelf Frame	x1
2	Right Leg Frame	x1	5	Cross-Bar	x1
3	Table Top Frame	x1	6	Glass top	x2

Wall fixings

- This wall fixing is provided for your safety and we recommend that once in position the unit is secured to the wall for extra stability.
- Wall fixings may vary depending on item of furniture purchased.
- Wall fittings are not provided as different wall types require different raw plugs and screws.
- Please ensure that you use fittings that are suitable for your wall type (see next page for a general guide).
- Please ensure that the head of the screws used has a diameter greater than the diameter of the hole on the wall fixing and that the fixing is safe and secure before using.
- When drilling into the walls, always ensure there are no hidden wires or pipes.
- If you are unsure, we recommend you consult a qualified person.

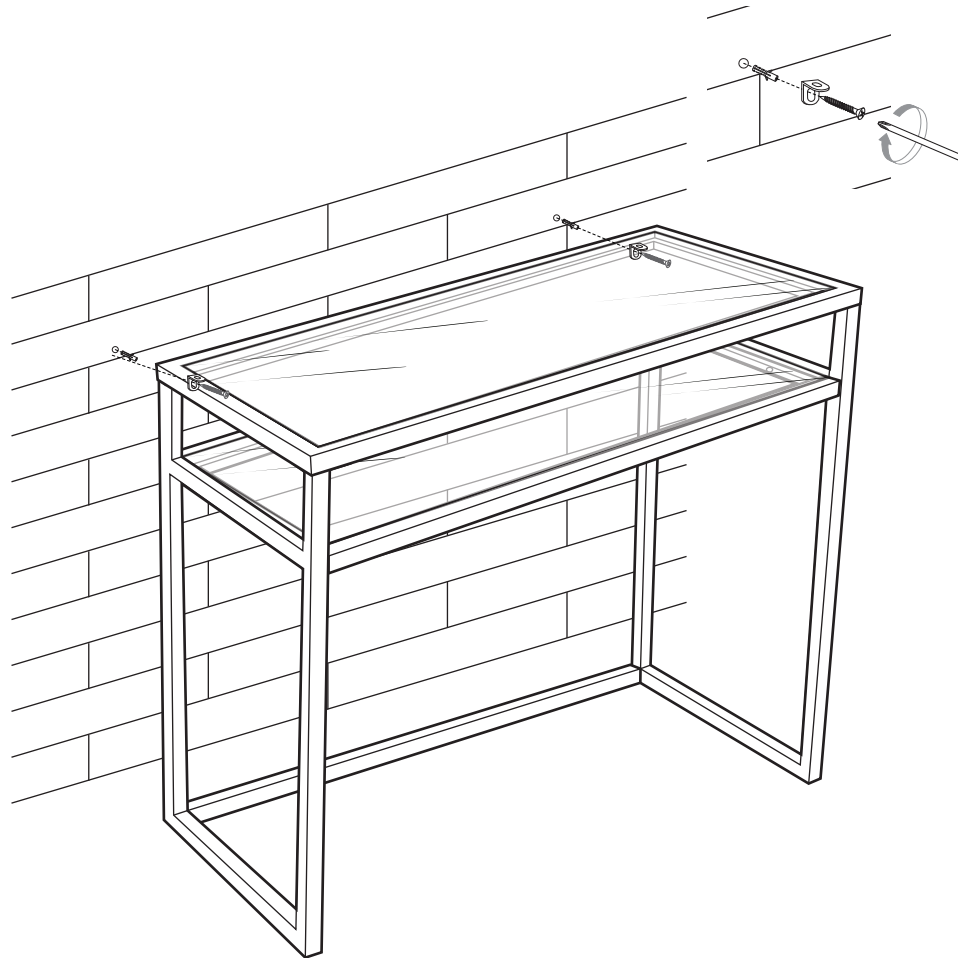


ASSEMBLY INSTRUCTIONS

Step 7

Warning!

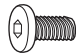
Wall Plug and screws are not provided.
If you are in any doubt about the correct
fixings for your wall, seek professional advice.

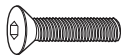


10

COMPONENTS

Please check you have all the fittings listed below:

A 
Bolt(Ø6x15mm)x16

B 
Bolt(Ø6x25mm)x6

C 
Iron x2

D 
Angle iron x2

E 
Allen key

F 
Adhesive pad x12

3

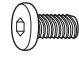




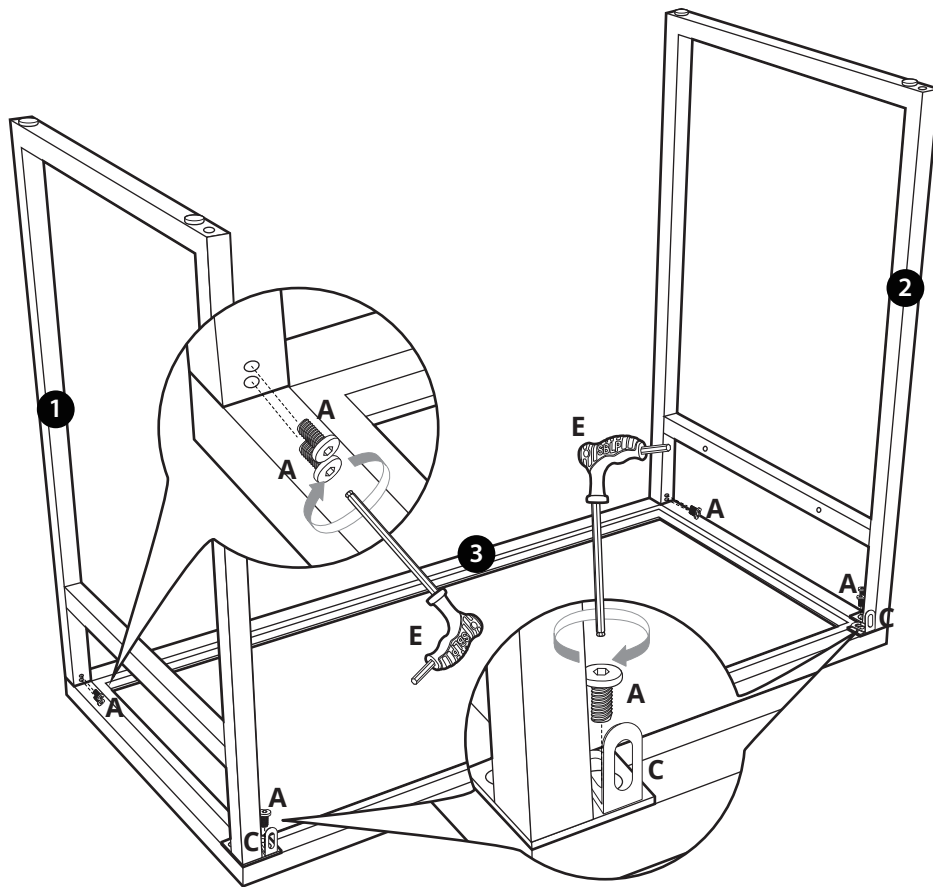
ASSEMBLY INSTRUCTIONS

Step 1



Important:
Please do not fully
tighten the bolts at
this stage.

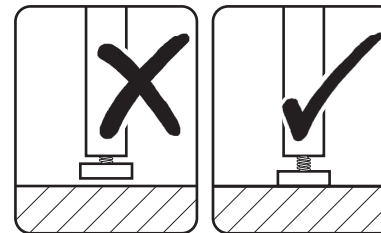
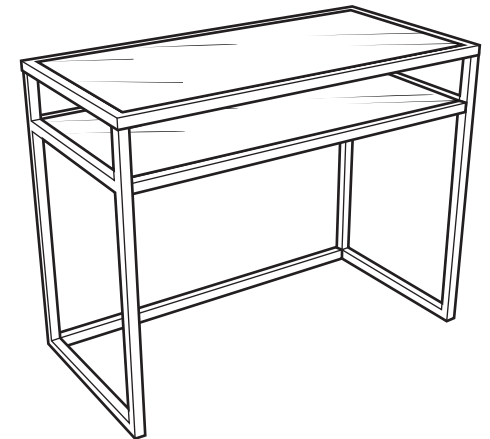
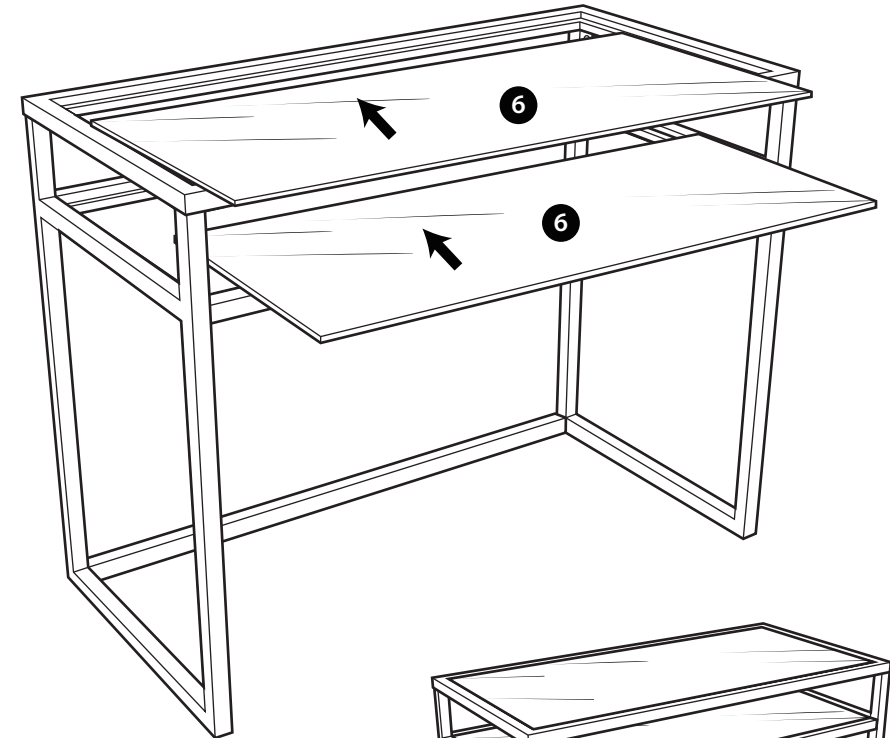
A		8
C		2
E		1



4

ASSEMBLY INSTRUCTIONS

Step 6




Congratulations! Now you have finished assembling the product.

9

ASSEMBLY INSTRUCTIONS

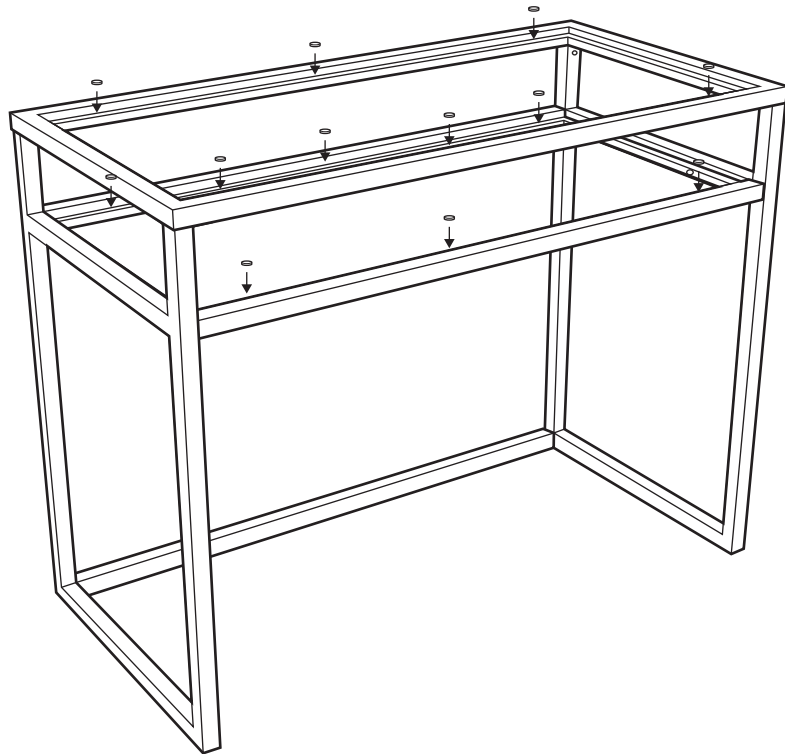
Step 5



F		12	
---	---	----	--



Important:
Please stick adhesive pad
and adjust suitable position.





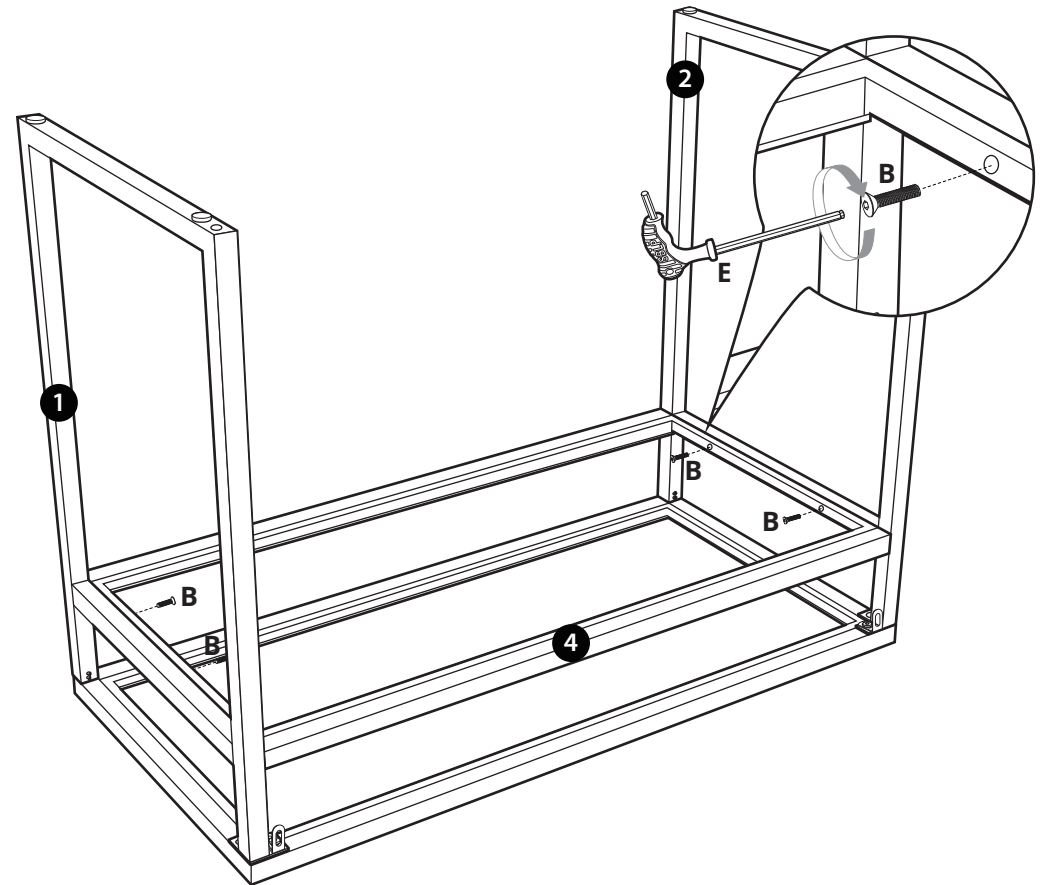
ASSEMBLY INSTRUCTIONS

Step 2



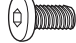


Important:
Please do not fully
tighten the bolts at
this stage.

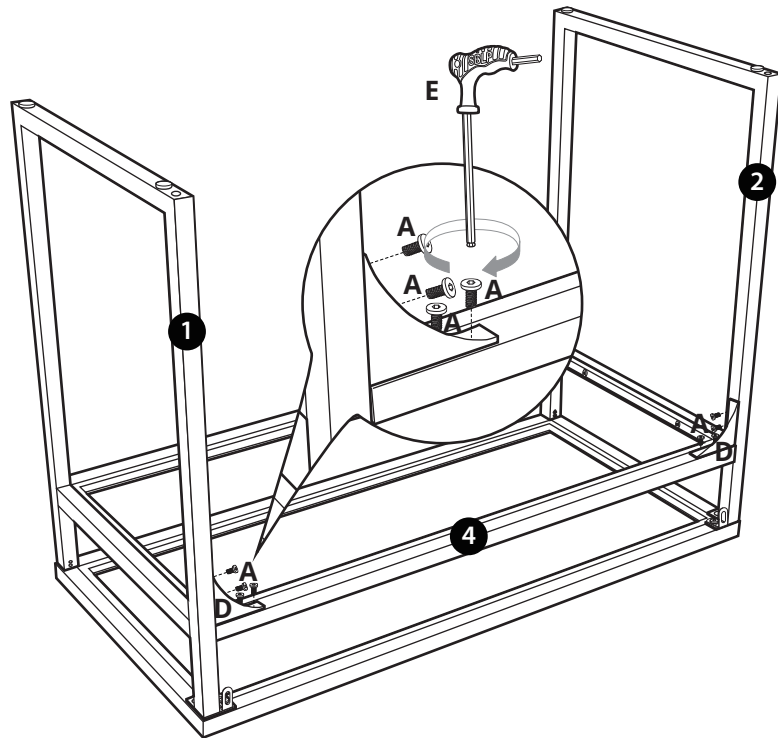
B		4	
E		1	



ASSEMBLY INSTRUCTIONS

Step 3



A		8
D		2
E		1

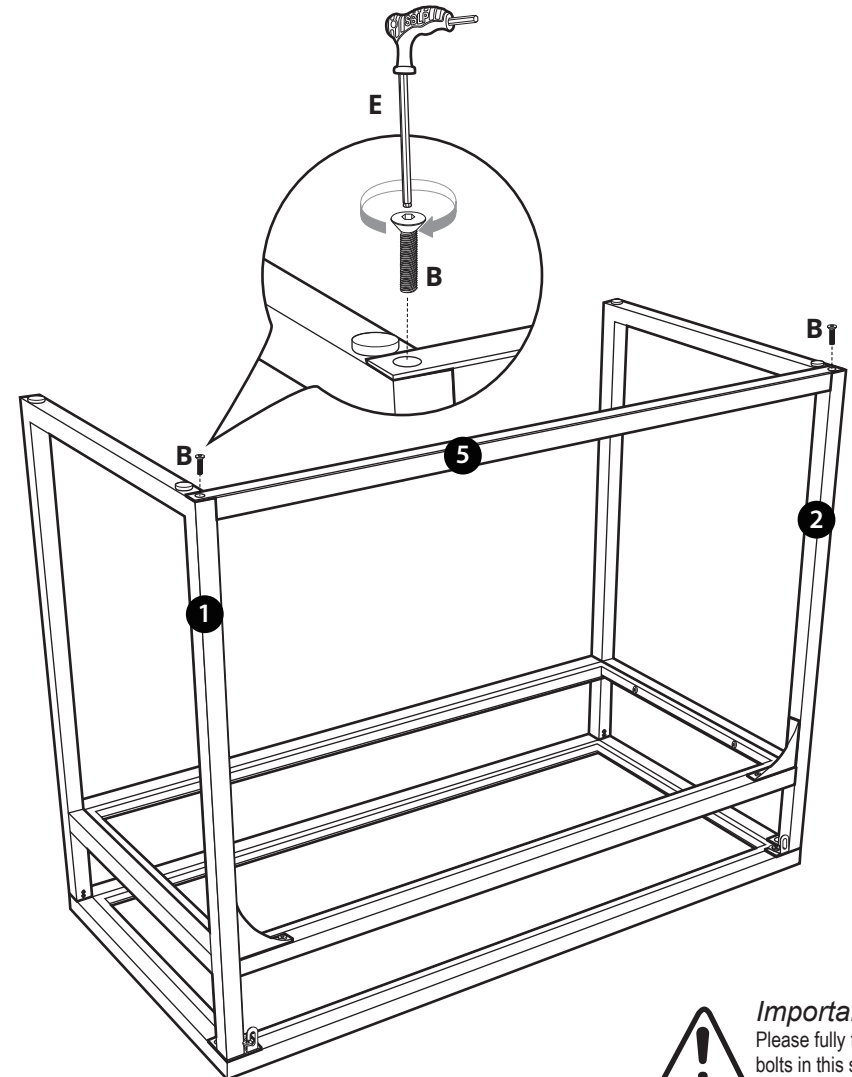


6

ASSEMBLY INSTRUCTIONS

Step 4

B		2
E		1



Important:
Please fully tighten
bolts in this stage.

7

