

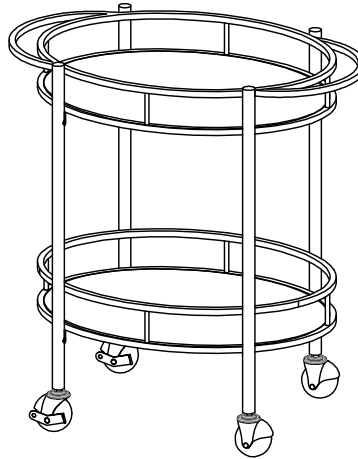
# ASSEMBLY INSTRUCTIONS

## Oval Bar Cart

ASSEMBLY  
REQUIREMENTS

Assembly Time 30 Minutes  
(Approximate)

1-Person  
Assembly



### ASSEMBLY PREPARATION

1. Remove all packaging materials, staples and packing straps from the carton.
2. Refer to Parts List and Hardware List, and ensure parts and hardware are correct before assembly. Contact customer service for missing parts.
3. Place all wooden parts on a clean, flat and soft surface (e.g. carpet or rug) to prevent parts from getting scratched.

### SAFETY PRECAUTION

1. KEEP ALL HARDWARE PARTS OUT OF REACH OF CHILDREN.
2. DISPOSE PLASTIC PACKAGING MATERIAL IMMEDIATELY TO AVOID ANY RISK OF SUFFOCATION TO CHILDREN AND ANIMALS.

### TIPS FOR ASSEMBLY

1. Allow ample room for assembly and in close proximity to where product will be placed.
2. Assemble the product on a surface that does not scratch or damage the exterior gloss and finish of the furniture.
3. Identify all of the parts, hardware and quantities required for each step.
4. During assembly, do not over-tighten any fittings as this may cause damage.
5. DO NOT USE POWER TOOLS TO ASSEMBLE THIS PRODUCT.
6. Always place the product on a flat, level surface.
7. Do not sit or stand on the partially assembled product; only use the product for which it is intended.

### CARE AND MAINTENANCE








- Use a slightly damp cloth to clean the product. Do not use bleach or abrasive cleaning material.
- Check all the fittings periodically and re-tighten as necessary. Do not use the product if any of the parts is damaged or broken.
- Never allow any kind of liquid to remain on your furniture. Absorption can cause wood to warp or delaminate.
- Do not place hot items (e.g. hot drinks) directly onto the wood surface.
- Do not drag and/or pull the furniture.

This product is for indoor and household use only - not for commercial use.

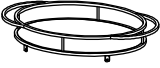


# ASSEMBLY INSTRUCTIONS

## Oval Bar Cart

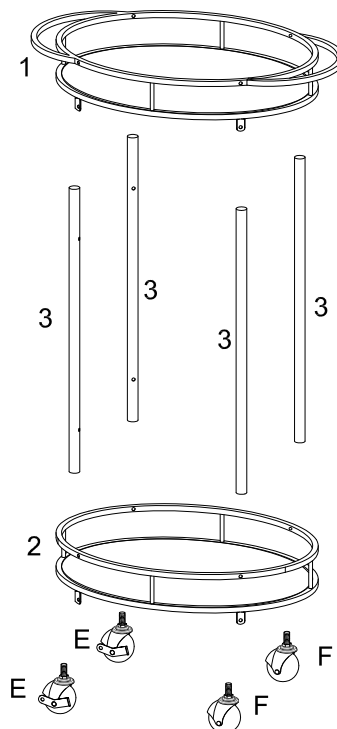
### HARDWARE LIST

| ITEM | DESCRIPTION         | PART  | QTY   | ITEM | DESCRIPTION       | PART  | QTY   |
|------|---------------------|---|-------|------|-------------------|---|-------|
| A    | Allen Wrench        |  | 1 pc  | E    | Caster with Brake |  | 2 pcs |
| B    | Bolt<br>1/4" * 25mm |  | 8 pcs | F    | Caster            |  | 2 pcs |
| C    | Bolt<br>1/4" * 15mm |  | 8 pcs | G    | Open end wrench   |  | 1 pc  |
| D    | Lock Washer         |  | 4 pcs |      |                   |   |       |

### PARTS LIST

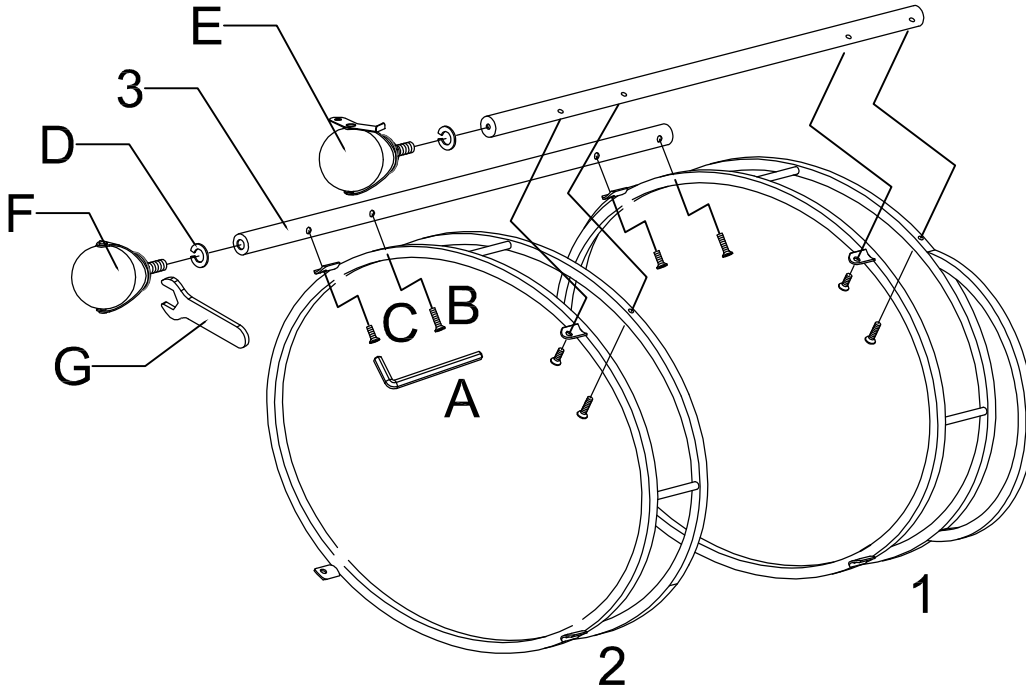
| ITEM | DESCRIPTION  | PART  | QTY  | ITEM | DESCRIPTION | PART  | QTY   |
|------|--------------|---|------|------|-------------|---|-------|
| 1    | Top Frame    |  | 1 pc | 3    | Support Leg |  | 4 pcs |
| 2    | Bottom Frame |  | 1 pc |      |             |   |       |

### PARTS ASSEMBLY OVERVIEW



## STEP 1

- Screw in 1x Caster (E) and 1x Castor (F) fitted with Washer (D) into the hole at the bottom-end of each Support Leg (3). Use Wrench (G) to tighten Hex Nut on stem of caster to secure caster to Support Leg.
- Position Top and Bottom Frame (1 & 2) with the bolt holes facing up as shown.
- Align bolt holes on (1 & 2) to the respective bolt holes on (3) and fasten with Bolt (B & C).
- Use Allen Key (A) to tighten (B & C). Do not tighten (B & C) completely until all the bolts are in place.

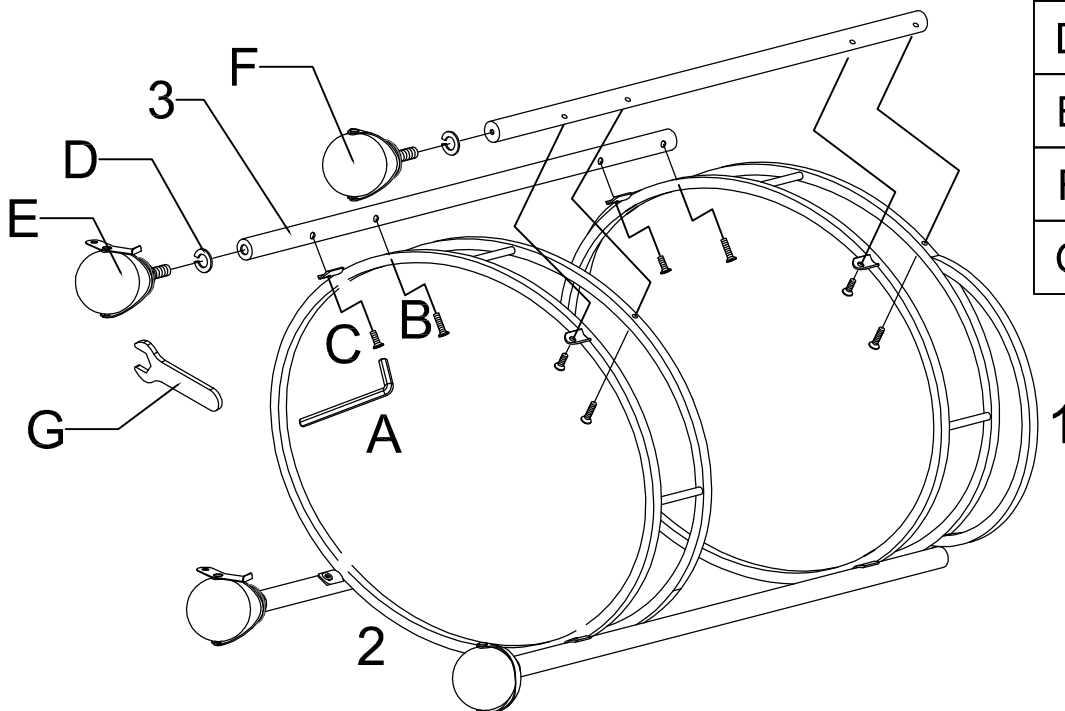


|   |  |      |
|---|--|------|
| A |  | 1pc  |
| B |  | 4pcs |
| C |  | 4pcs |
| D |  | 2pcs |
| E |  | 1pc  |
| F |  | 1pc  |
| G |  | 1pc  |

## STEP 2

- Use the procedures in STEP 1 to install the remaining 2x Support Leg (3) to Top and Bottom Frame (1 & 2).
- Set the unit right-side up after all 4 Support Legs are installed.

The assembly of the cart frame is complete.



|   |  |      |
|---|--|------|
| A |  | 1pc  |
| B |  | 4pcs |
| C |  | 4pcs |
| D |  | 2pcs |
| E |  | 1pc  |
| F |  | 1pc  |
| G |  | 1pc  |