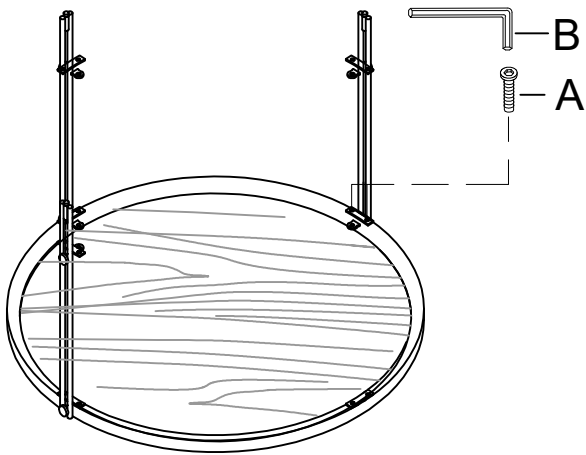
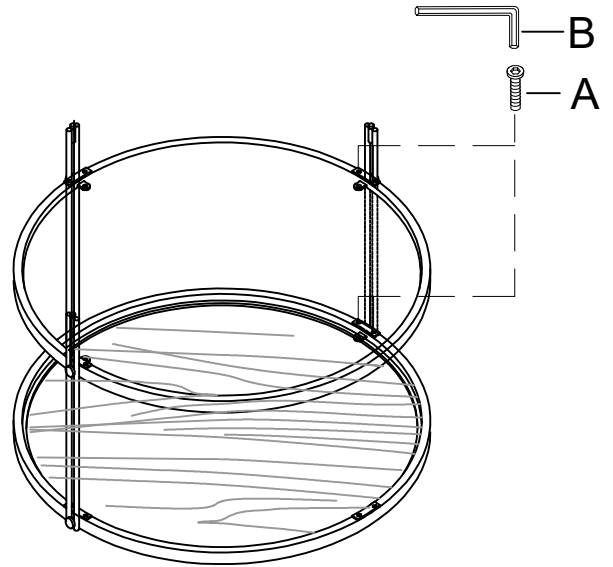


ASSEMBLY INSTRUCTIONS

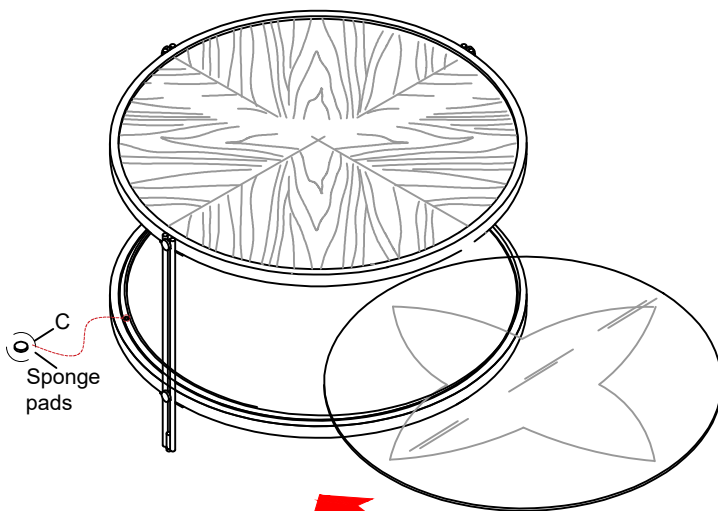
STEP 1



STEP 2

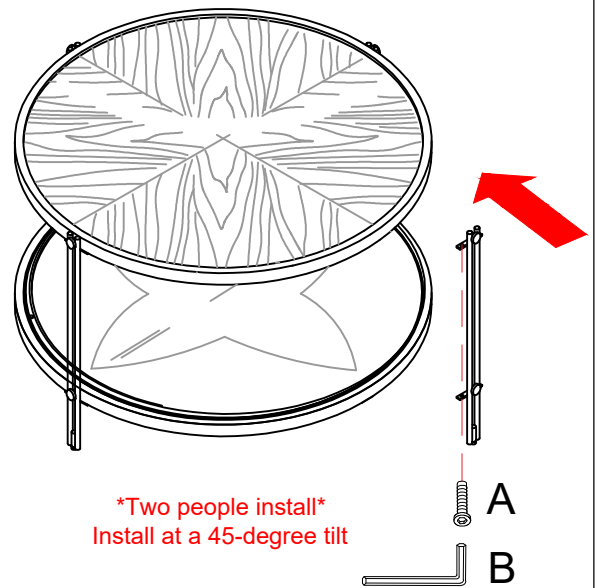


STEP 3



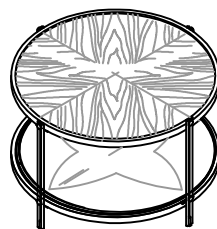
Two people install
Rotate 180 degrees
and it into the glass!



STEP 4



Two people install
Install at a 45-degree tilt

DO NOT TIGHTEN SCREWS
UNTIL COMPLETELY ASSEMBLED



A		1/4" x 5/8"	16 PCS
B		4mm	1 PC
C	0	Ø8*2mm	4 PCS