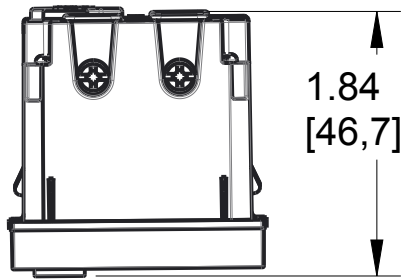


2

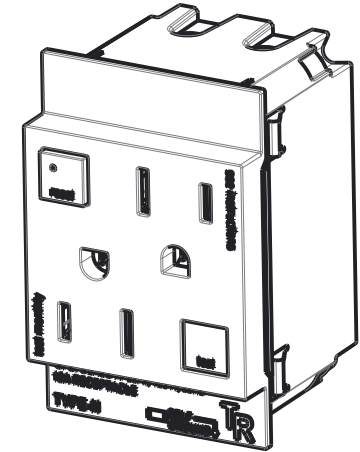
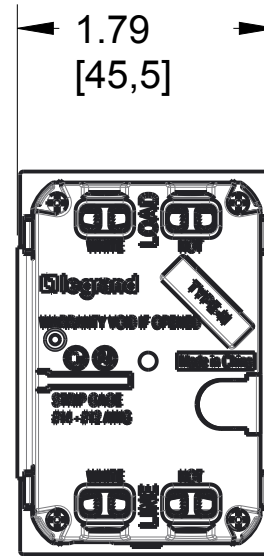
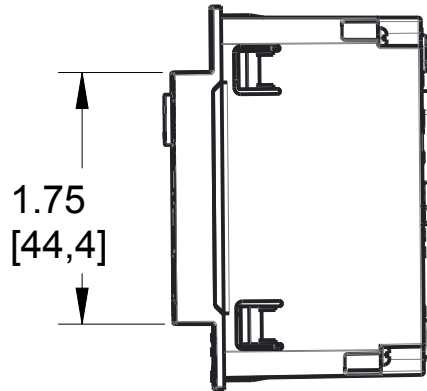
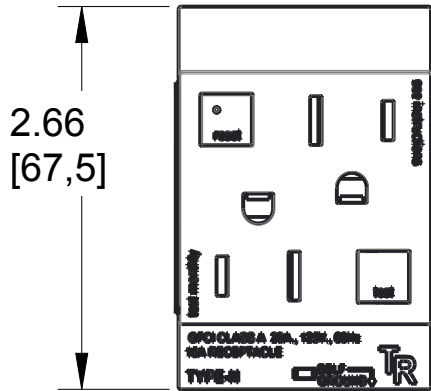
1



REV	EC.NO.	DATE	DESCRIPTION	DFTR	CK.
A			INITIAL RELEASE		

B


B



A

A

Size Face: 2x2 Module
 Size Backbody: 3x2 Module
 3rd Party Compliance: cULus LISTED
 Rating: 15A, 125V
 Termination: Back Wire Only
 Misc: Copper Wire Only
 For Use With adorne System Only
 Works With All Standard Wall Boxes

AGFTR152, adorne GFCI Tamper-Resistant 2-Module 15A					
MATERIAL	SEE NOTE	UNSPECIFIED TOL. FRAC. ± 1/64 ANGLES ± 1.0 DEC. 0 ± 0.02		 MODEL NAME: AGFTR152	
FINISH	SEE NOTE	.00 ± 0.01 .000 ± 0.001			
DSGN BY:	6/3/2015	SHT 1of1		DWG. NO.:	REV.:
DR. BY:		SCALE:	0.750	CD1183	A
CK. BY:		NOTICE: Proprietary and confidential information of Pass & Seymour/Legrand Reproduction or disclosure prohibited under penalty of law.			

2

1