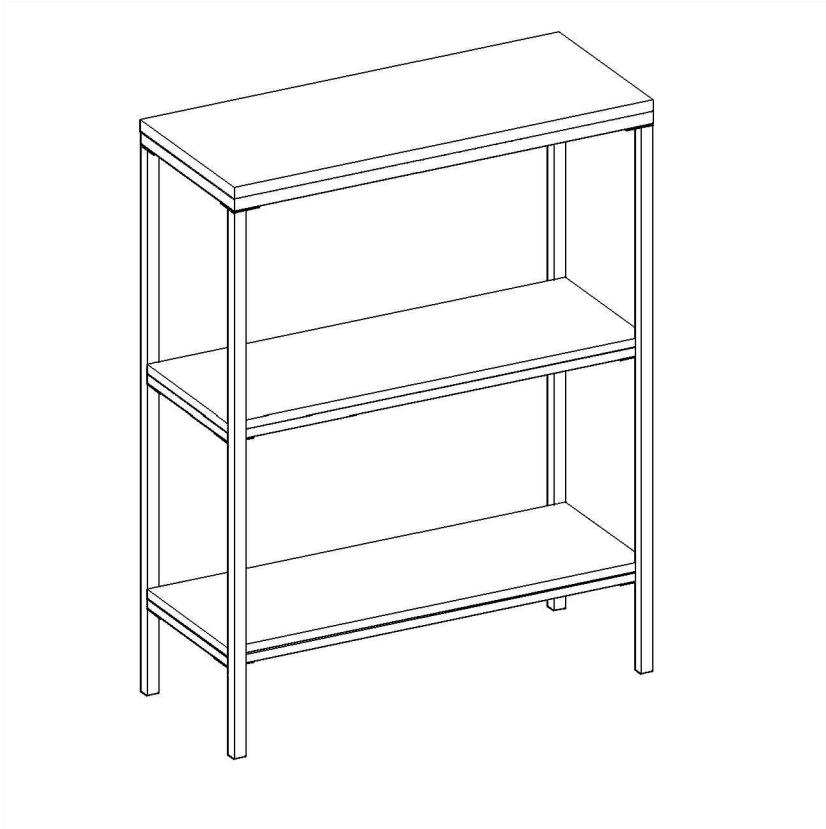




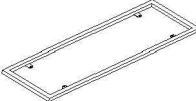




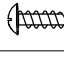

Assembly Instructions



Thank you for purchasing our product!

Please assemble the products with the guidance of this manual instruction. Contact our friendly customer service department with any comments or in case there is any missing or damaged parts or hardware.

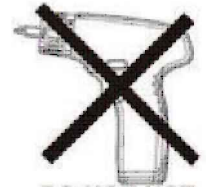
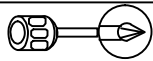
We appreciate your business!

A		Frame	1PC	E		Wooden Board	1PC
B		Connecting bar	2PCS	F		Wooden Board	2PCS
C		Connecting bar	2PCS	G	 12mm	Bolt	24PCS
D		Connecting bar	2PCS	H	 15mm	Screw	12PCS
				I		Allen Wrench	1PC

NOTE:

- 1) Please be advised to have at least 2 persons to assemble this unit
- 2) Tools not included, but essential for assembling this unit:

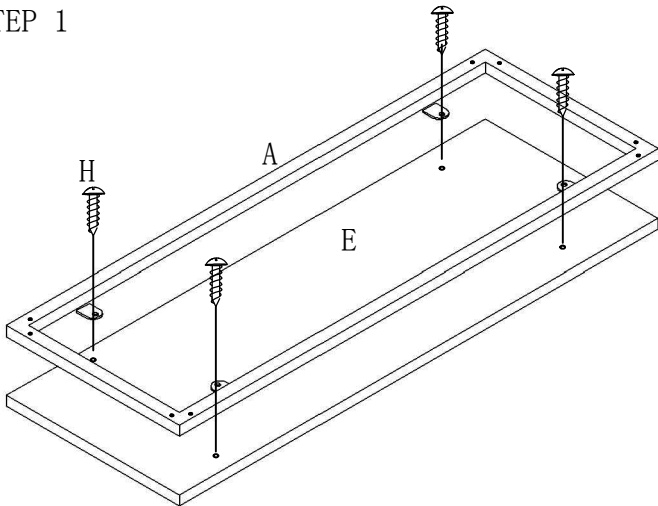
"Philips" Screwdriver



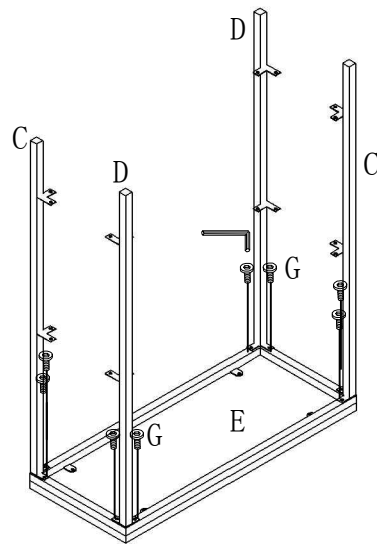
- 3) Place a large cloth or blanket on the floor or flat surface to protect parts from scratching
- 4) Before assembling this unit, please check that all parts and hardware are present

DO NOT USE
POWER TOOLS

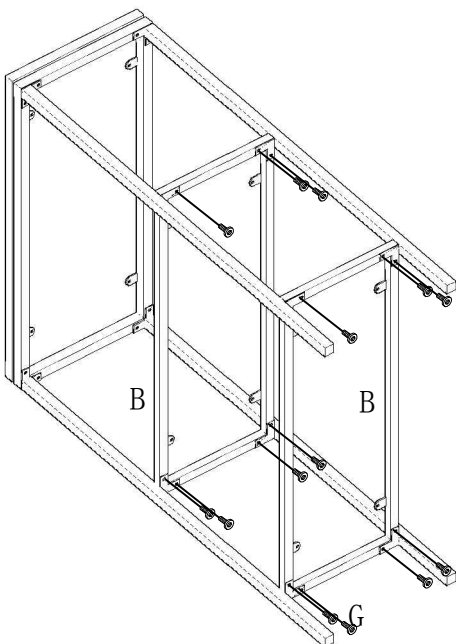
STEP 1



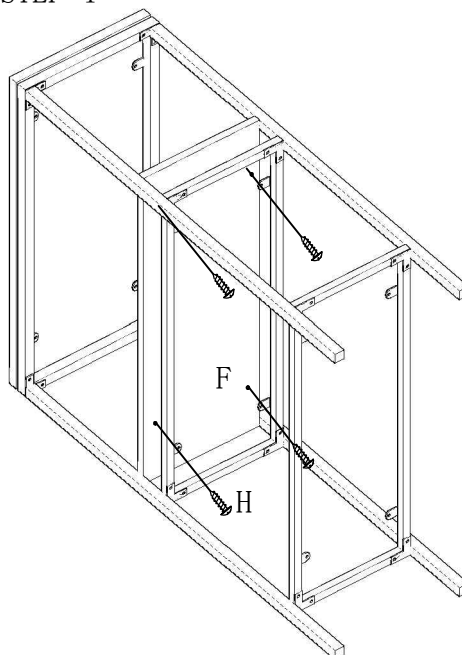
STEP 2



STEP 3



STEP 4



STEP 5

