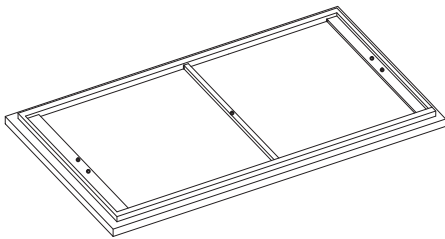


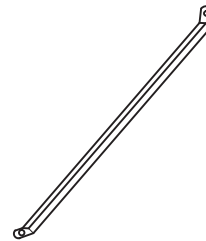
# ASSEMBLY INSTRUCTIONS



A\*1PC

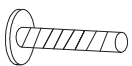


B\*2PCS



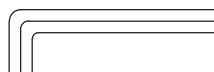
C\*2PCS

$\frac{1}{4}$ "\*16MM



D\*7PCS

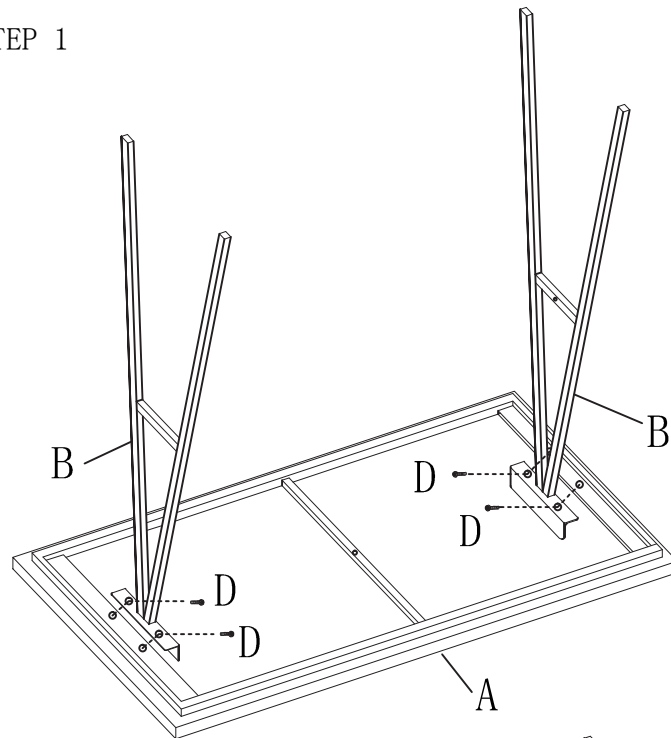
4M



E\*1PC

Note: Pls do not tighten all bolts until the table is assembled completely

STEP 1



STEP 2

