




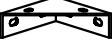
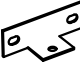
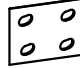
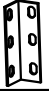



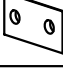





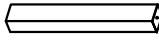

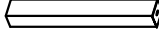


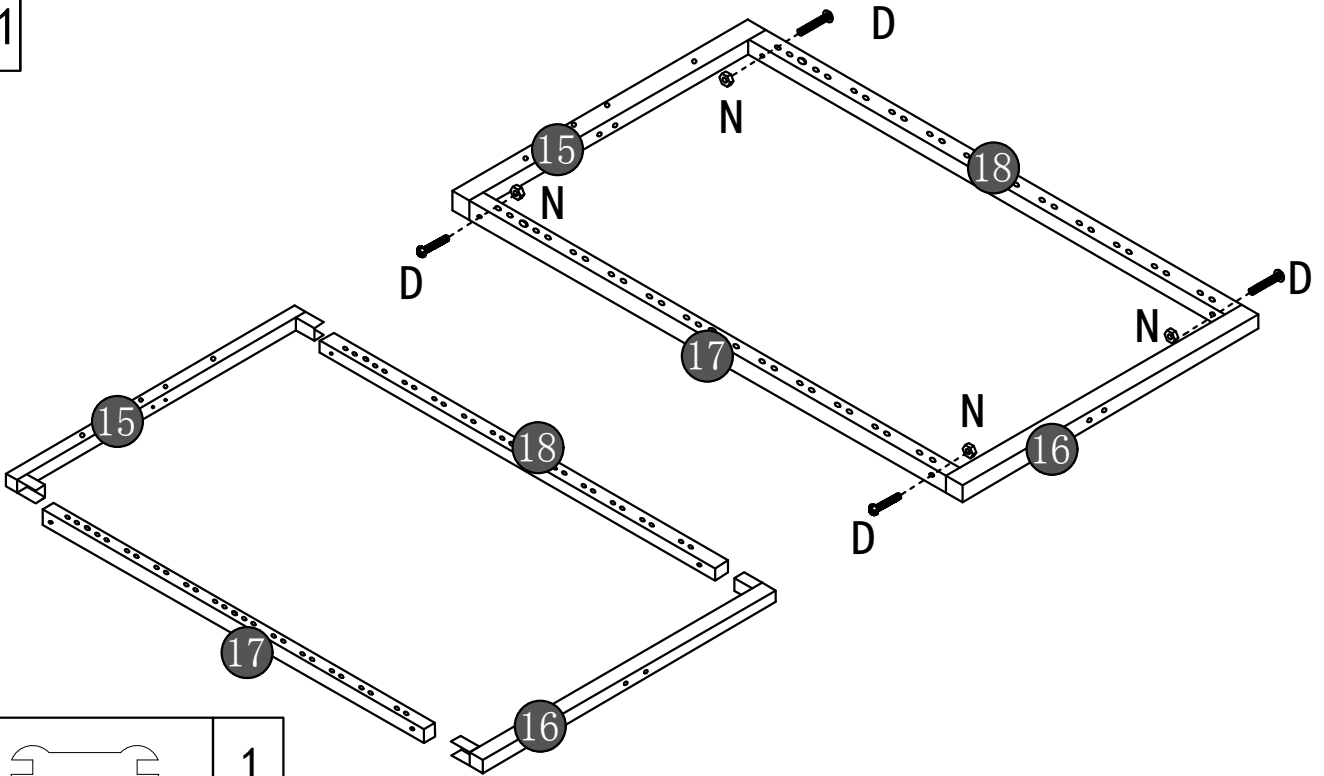


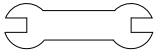

A	 8*18	54
B	 8*45	14
C	 8*40	4
D	 8*40	14
E	 3.5*20	16
F		2
G		2
H		2



I		2
J		2
K		2
L		2
M		2
N	 M8	14
O		8
P		1

Q		1
R		1
S	 19.5cm	2
T	 6.5cm	2
U	 19cm	2
V		2
W	 2.5cm	4

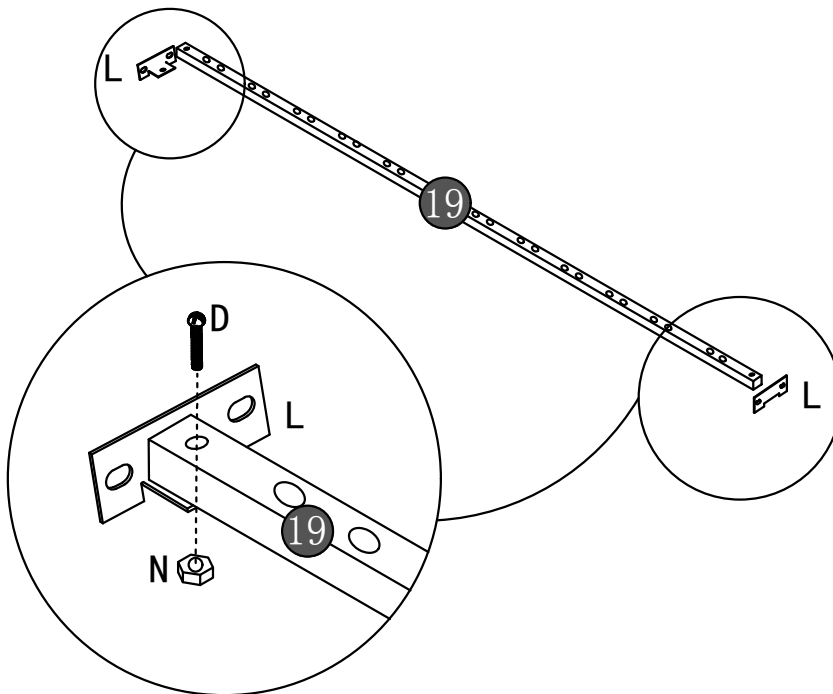
01

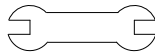





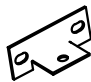
R		1
Q		1

N		M8	4	D		8*40	4
---	---	----	---	---	---	------	---

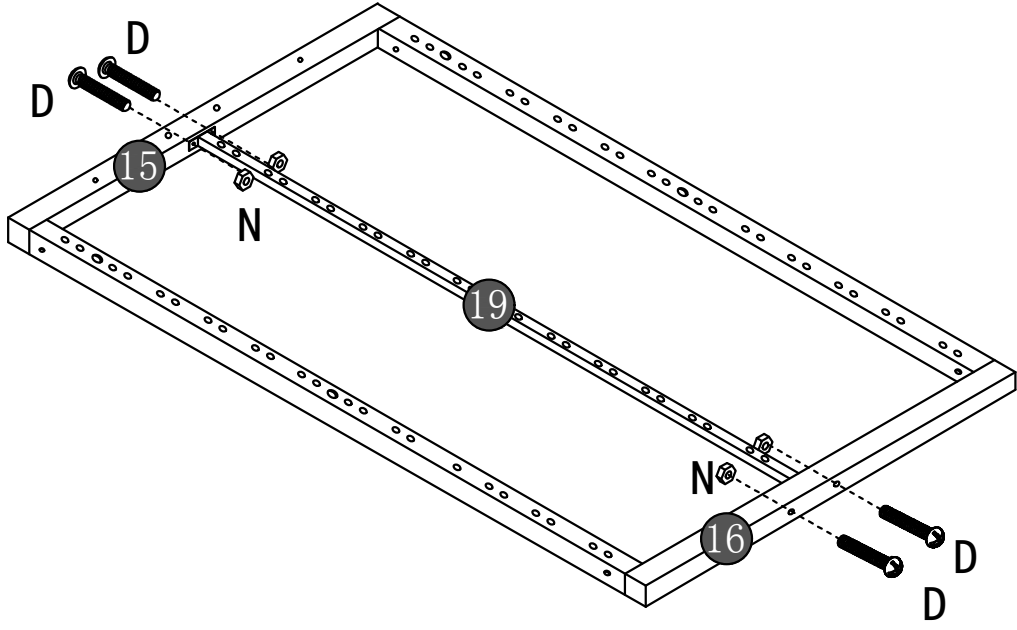
02

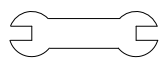





R		1
Q		1

N		M8	2	D		8*40	2
L			2				

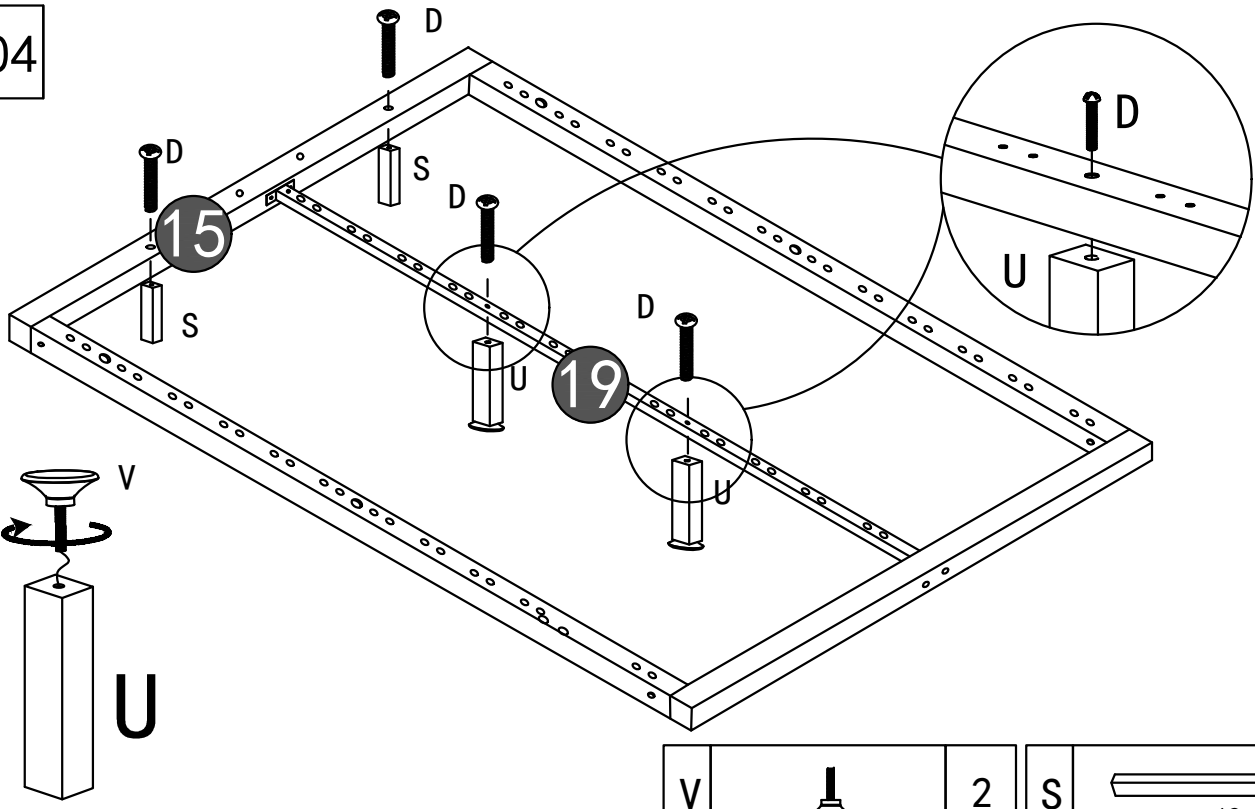
03





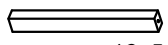
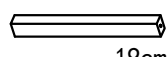

R		1
Q		1

N		M8	4	D		8*40	4
---	---	----	---	---	---	------	---

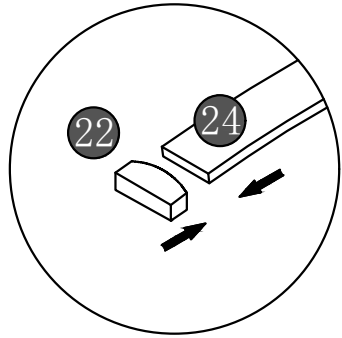
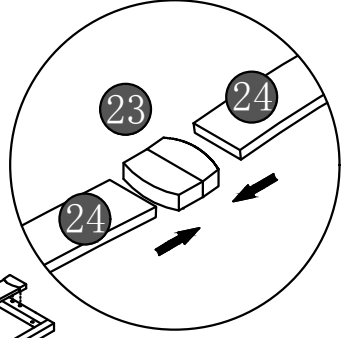
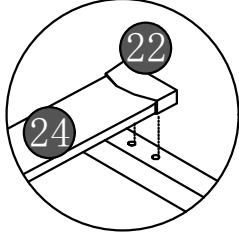
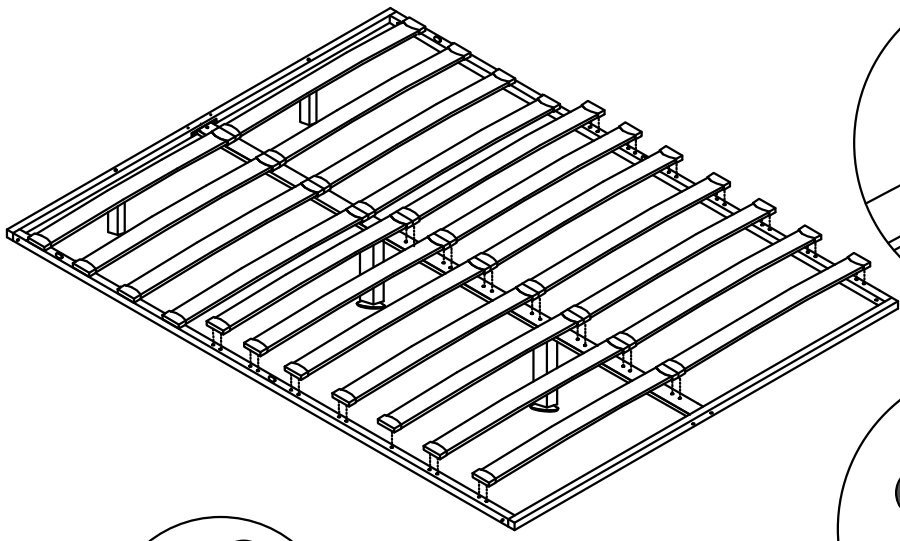
04



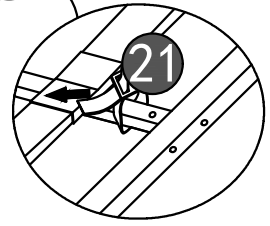
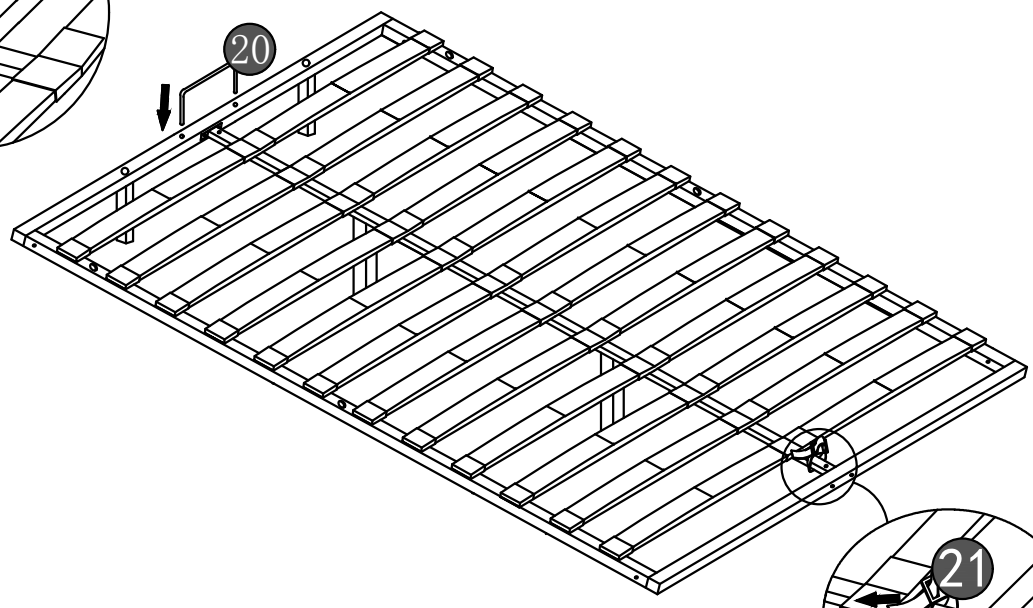
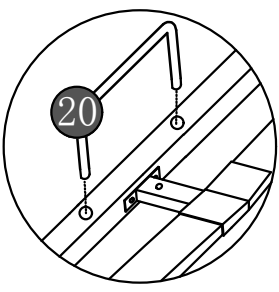
Q		1
---	---	---

V		2	S		19.5cm	2	
U		19cm	2	D		8*40	4

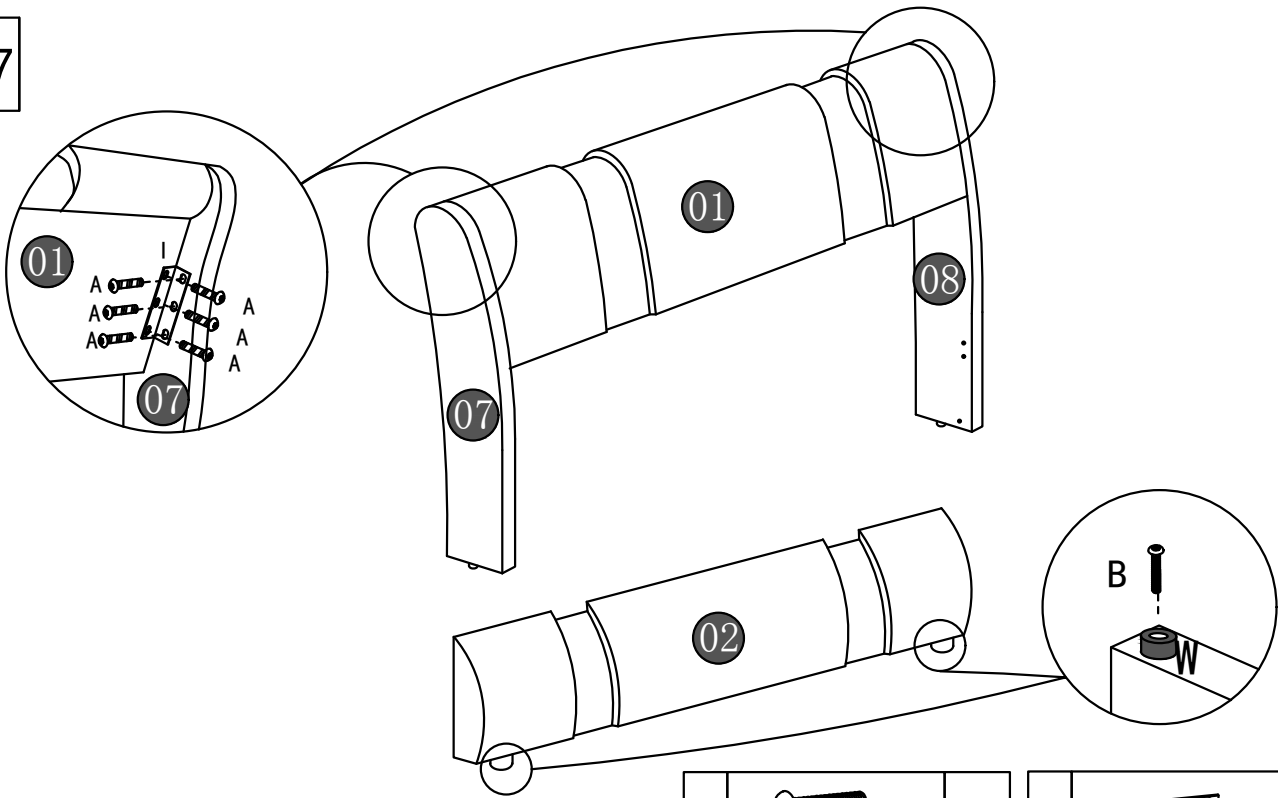
05


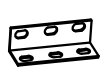




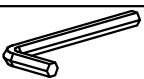
06



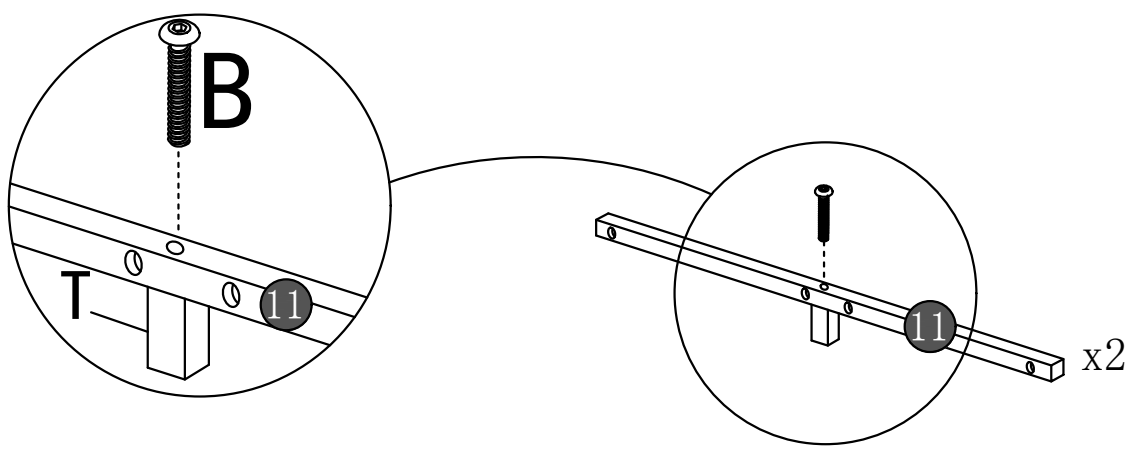
07

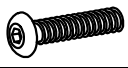



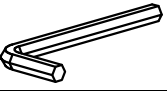
B	 8*45	2	I		2
W	 2.5cm	2	A	 8*18	12

P		1
---	---	---

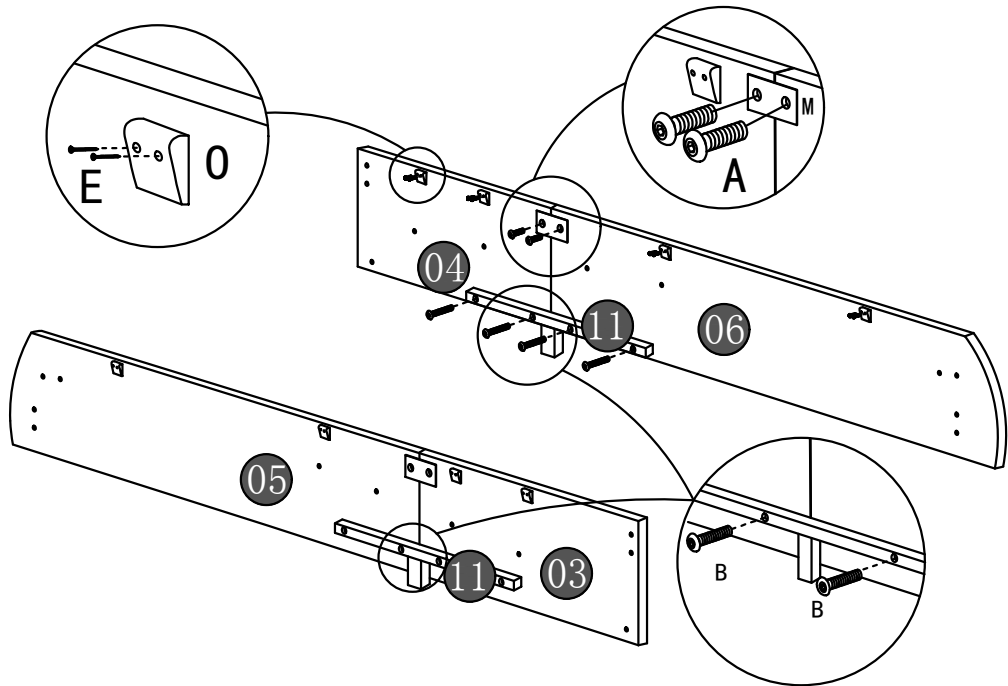
08



B	 8*45	2	T	 6.5cm	2
---	---	---	---	---	---

P		1
---	---	---

09



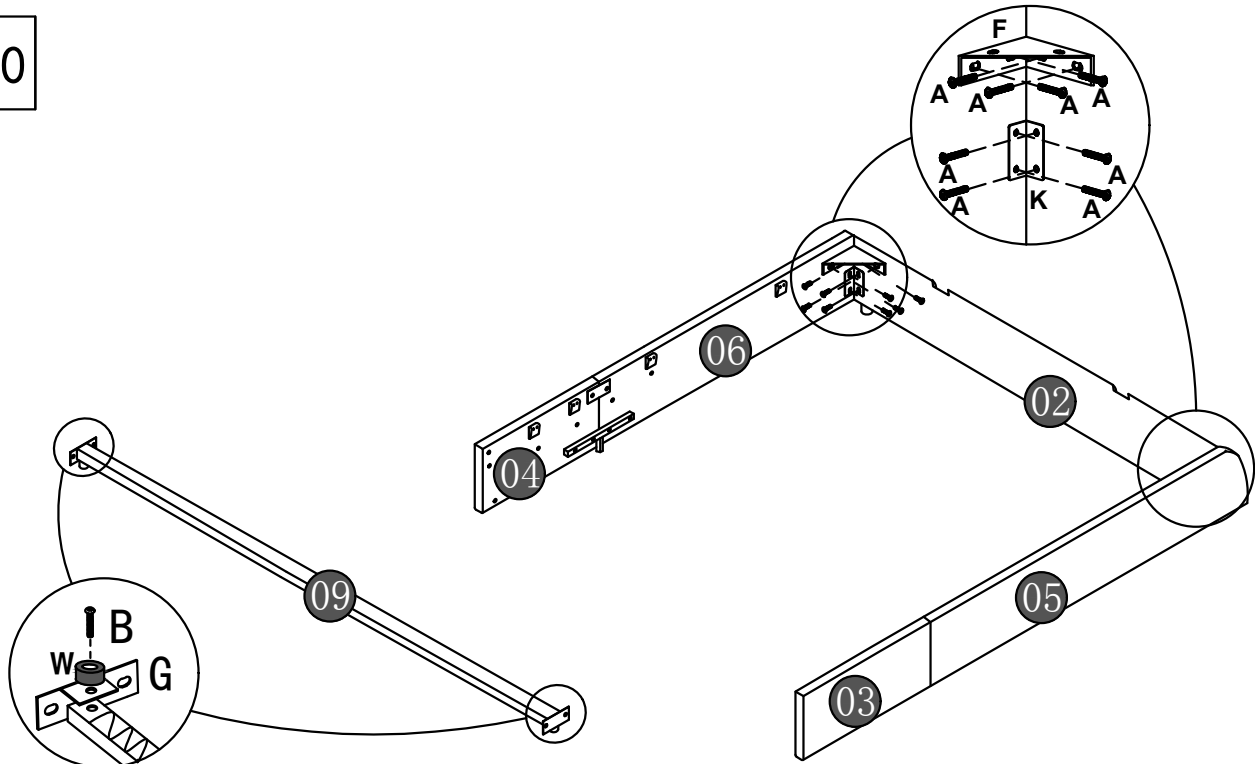
Q		1
P		1

B		8*45	8
---	--	------	---

E		3.5*20	16
M			2

O			8
A		8*18	4

10



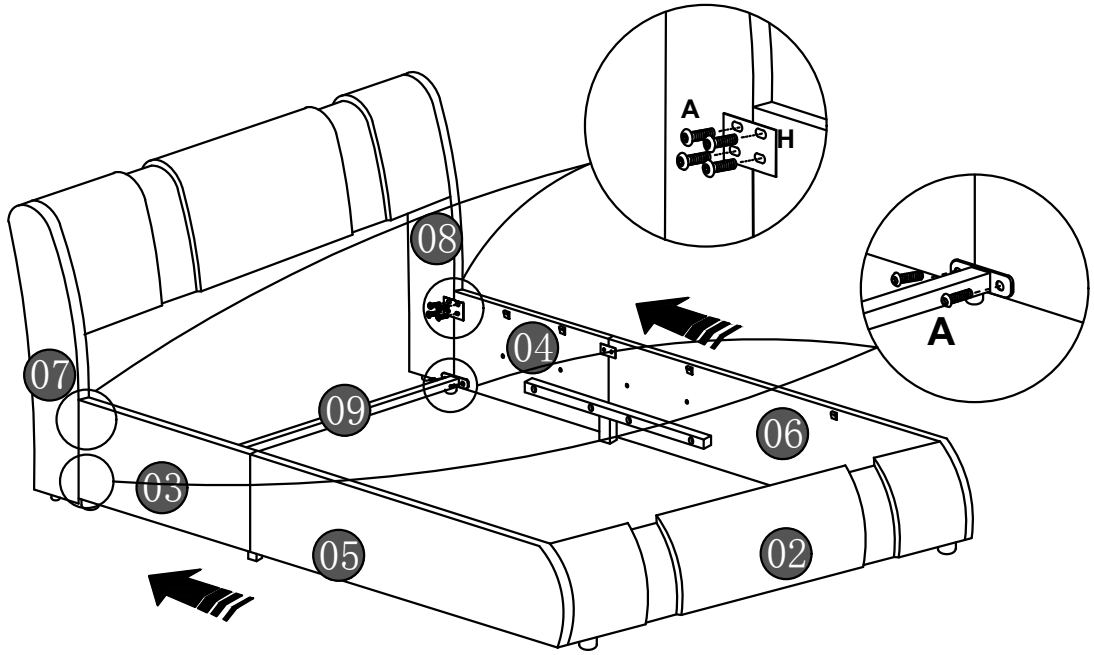
P		1
---	--	---

G		2
K		2

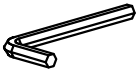
B		8*45	2
F			2

W		2.5cm	2
A		8*18	16

11



P



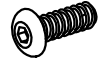
1

H



2

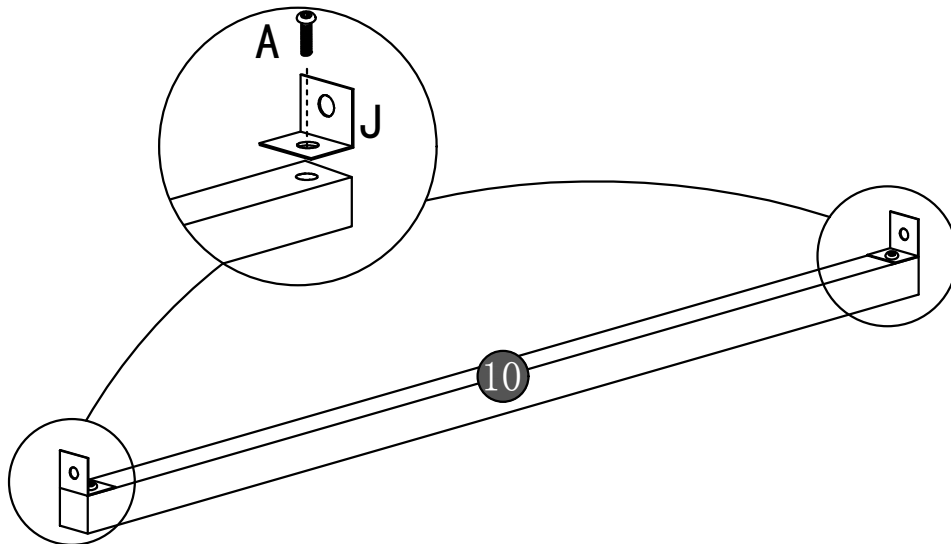
A



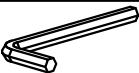
8*18

12

12



P



1

J



2

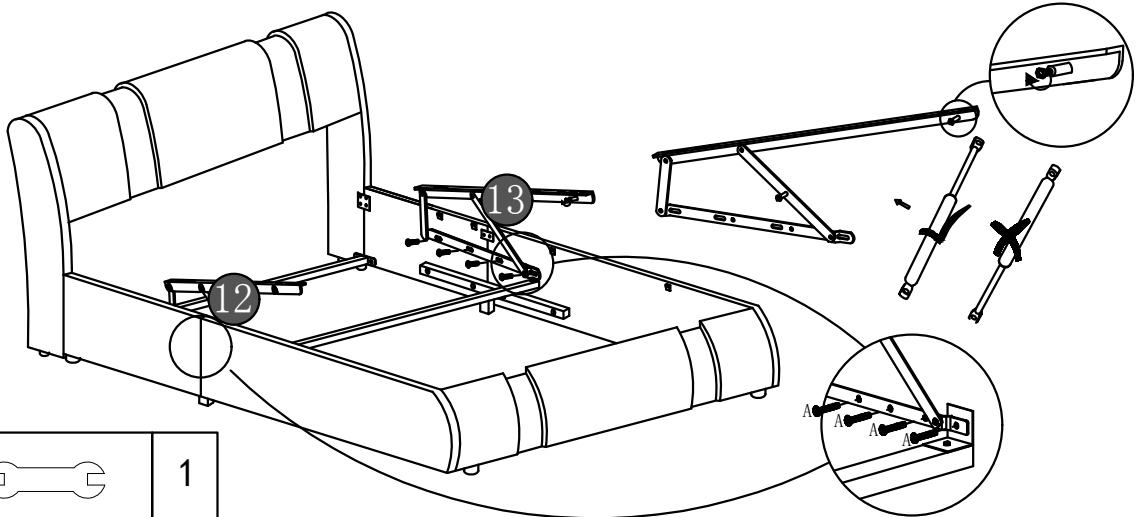
A

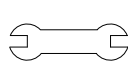
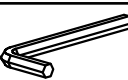


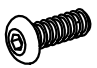
8*18

2

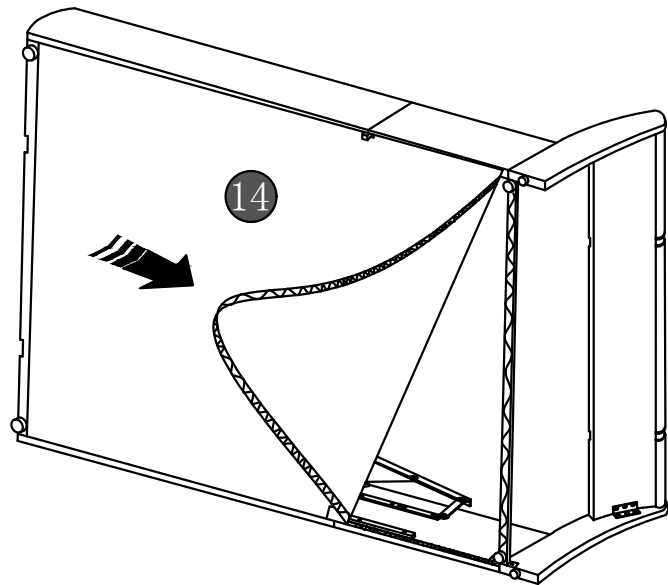
13



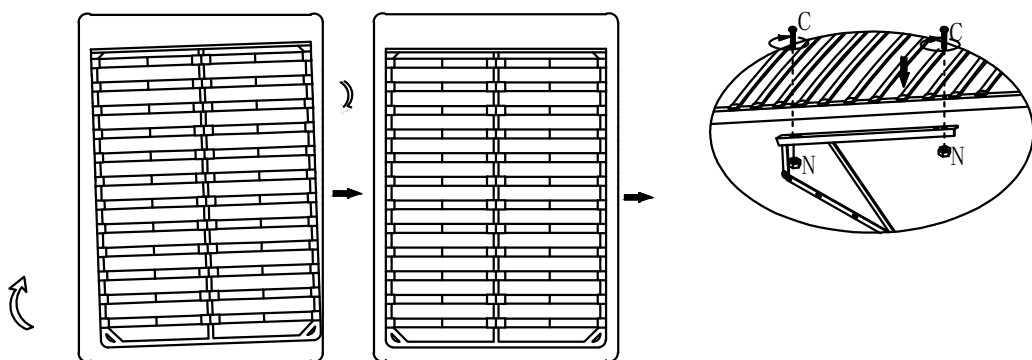
R		1
P		1



A		8*20	8
---	---	------	---


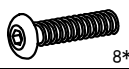
14



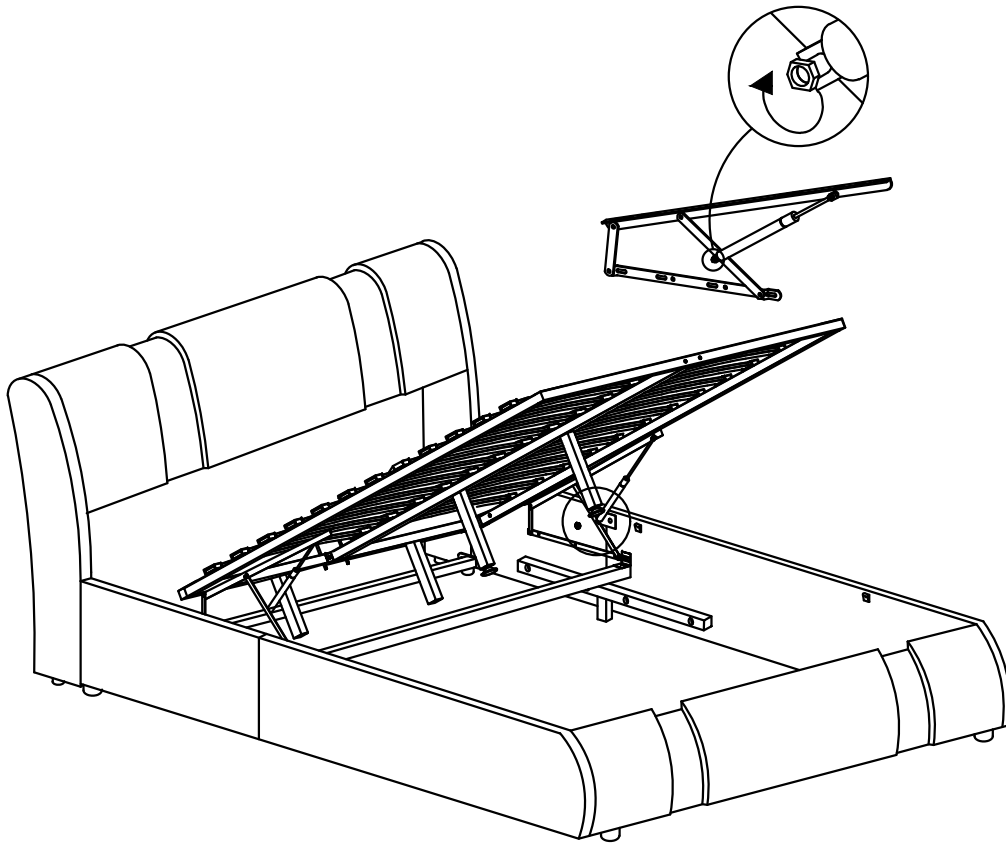
15



R		1
P		1

N		M8	4
C		8*40	4

16



17

