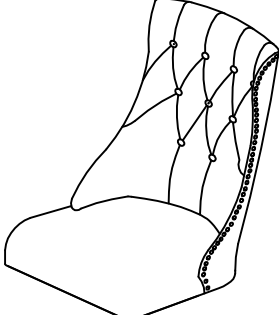









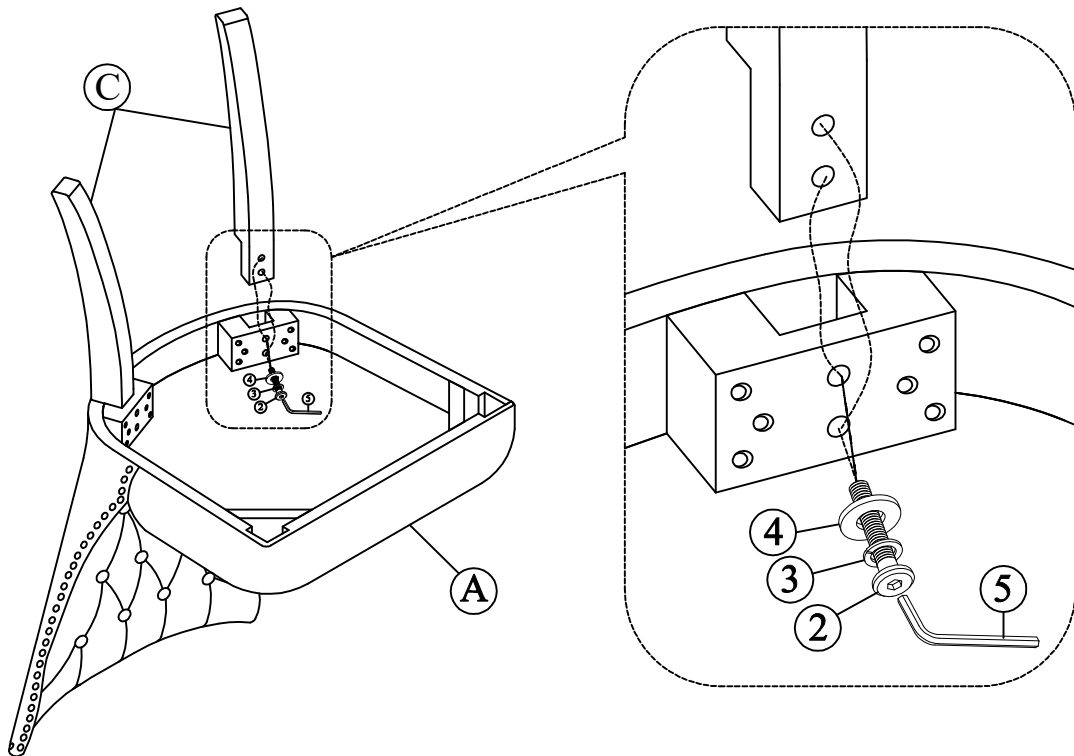
ASSEMBLY INSTRUCTION

DINING CHAIR

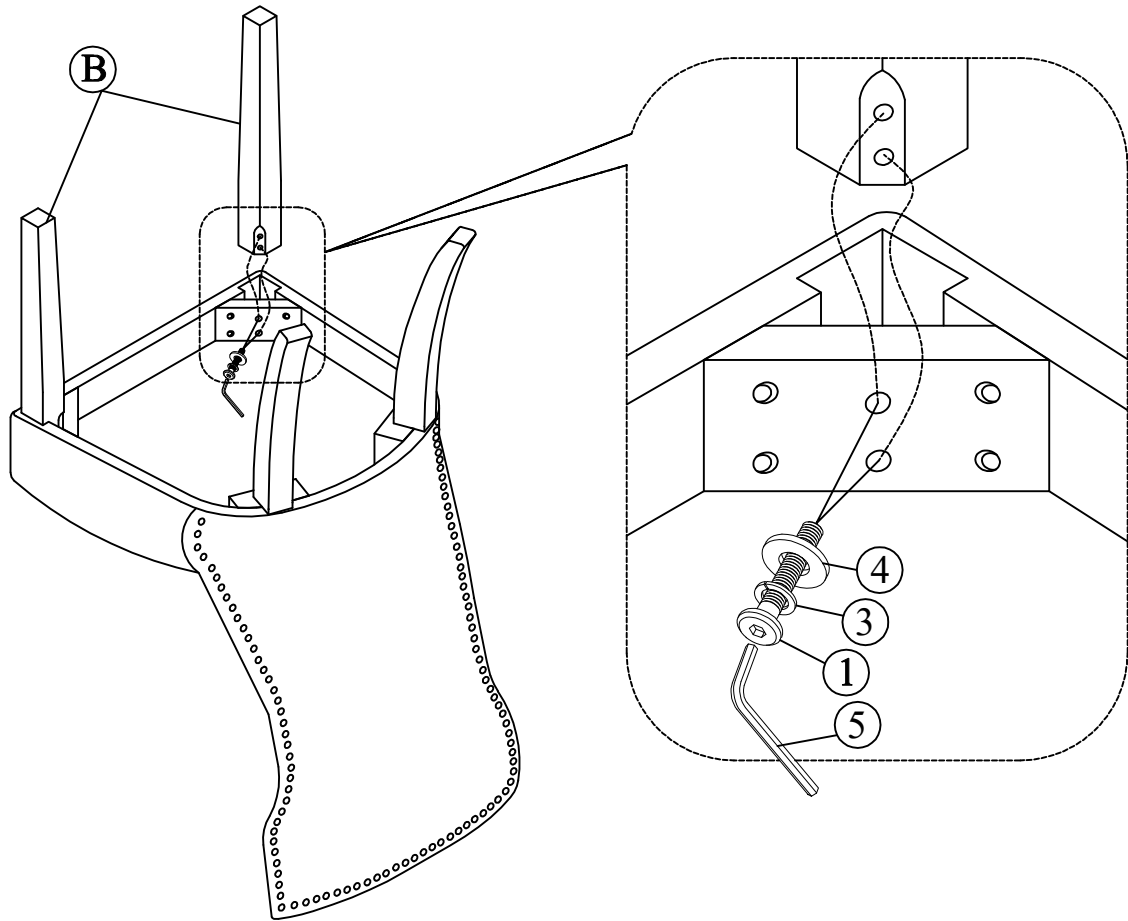
<p>A = 1pc FRAME WITH CUSHION SEAT</p> 	<p>B=2pcs FRONT LEG</p> 	<p>C=2pcs REAR LEG</p> 
---	--	---

No.	Description		Q.ty
1	BOLT Ø5/16" x 60mm		4pcs
2	BOLT Ø5/16" x 45mm		4pcs
3	LOCK WASHER		8pcs
4	FLAT WASHER		8pcs
5	ALLEN WRENCH		1pc

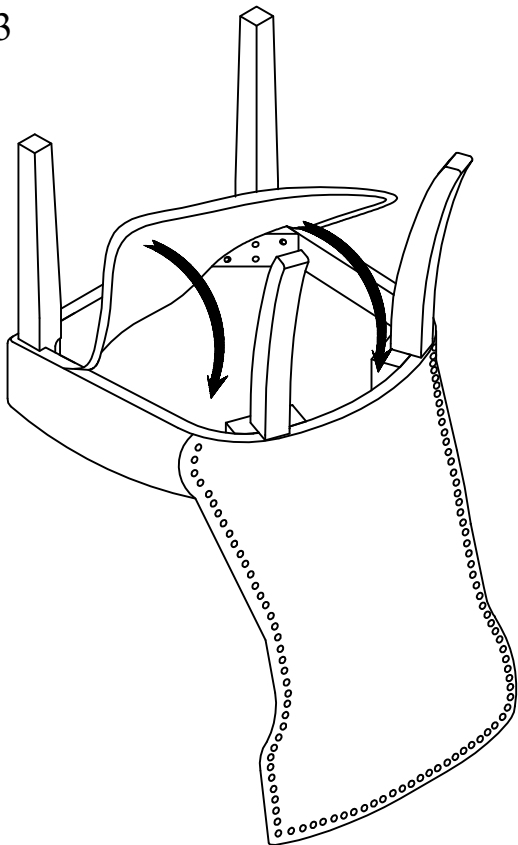
STEP 1



STEP 2



STEP 3



STEP 4

