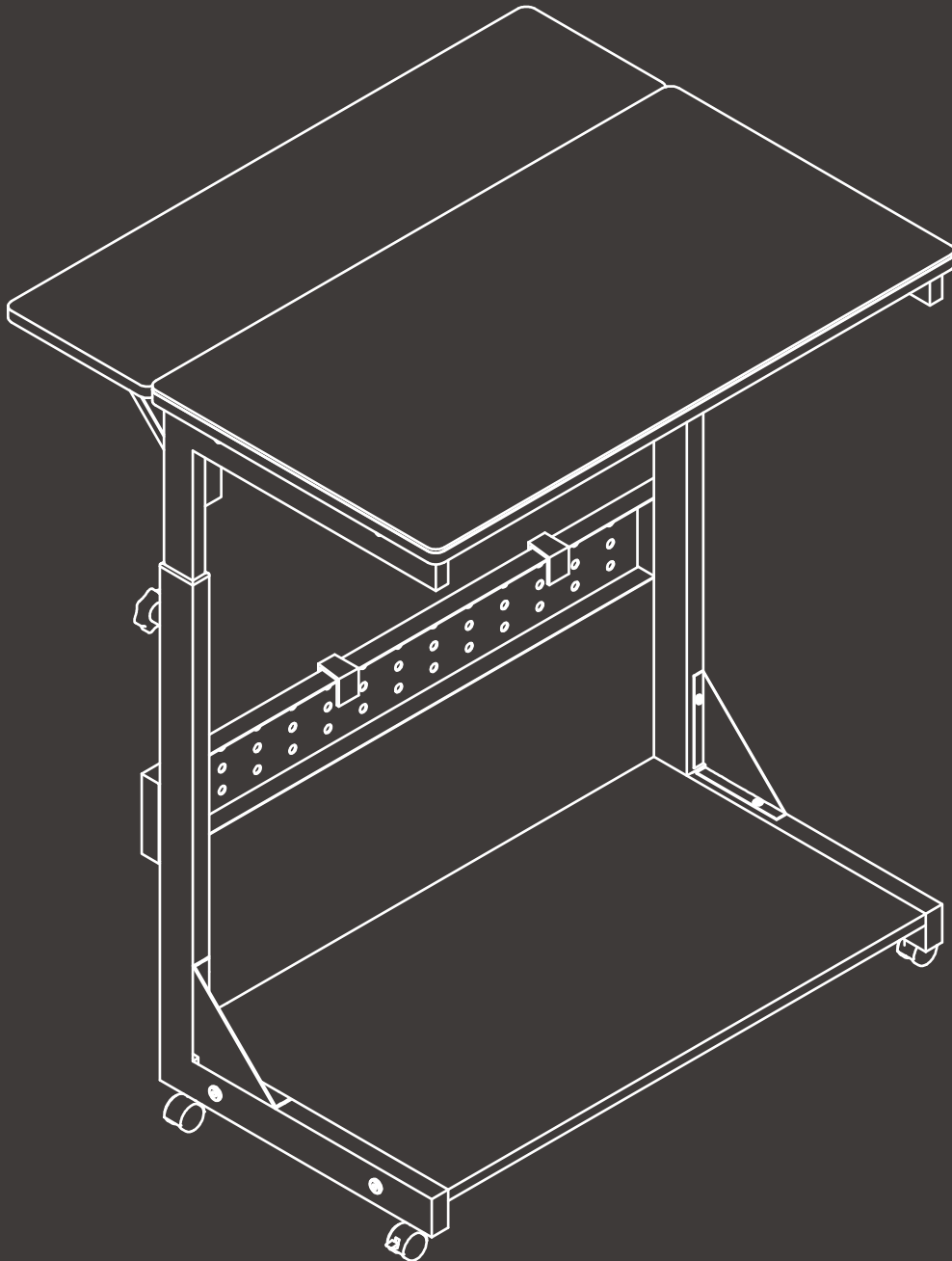


Side Table

Instruction Manual

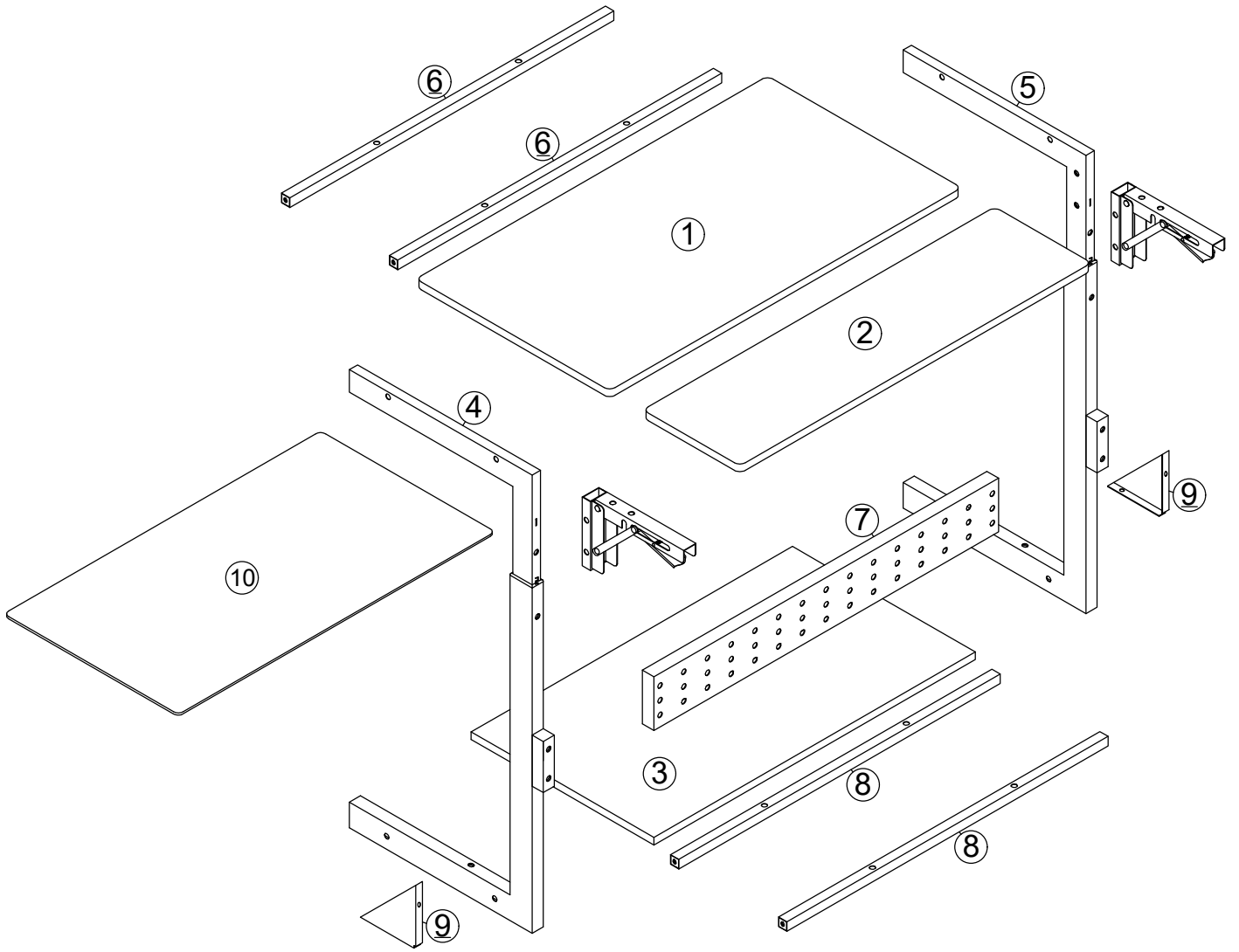
FH-SJZ73BZ-25

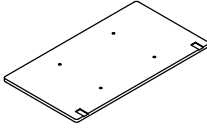
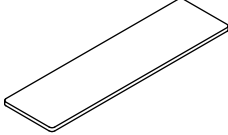
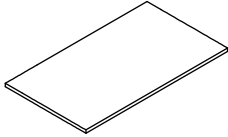
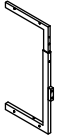
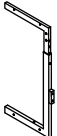
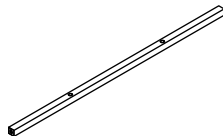
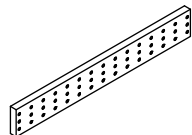
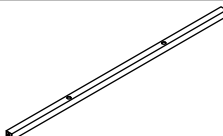
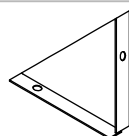
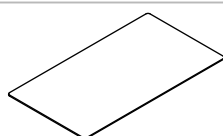


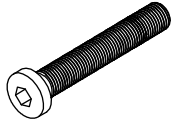
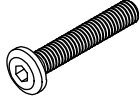


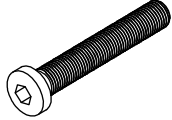
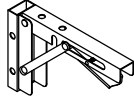


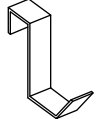
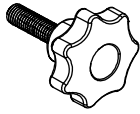
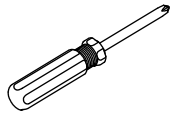
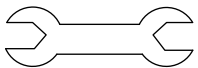
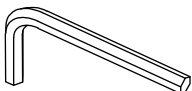

✉ HJ-Customer-Service@outlook.com

☎ (909)637-7665 | (909)637-7593

EST 9:00AM--17:00PM



#	DESCRIPTON		QTY.
①	Desktop Panel		x1
②	Desktop Panel		x1
③	Bottom panel		x1
④	Iron Frame		x1
⑤	Iron Frame		x1
⑥	Connecting Bar		x2
⑦	Metal Pegboard		x1
⑧	Connecting Bar		x2
⑨	Fixing Bracket		x2
⑩	Mouse pad		x1

#	DESCRIPTON		QTY.
A	M6 x 35mm		x8
B	M6 x 25mm		x8
C	M6 x 12mm		x8
D	Screw 12mm		x4
E	M6 x 45mm		x4
F	K-shaped Bracket		x2
G	Swivel Caster		x2
H	Brakes Caster		x2
I	S-shaped Hook		x2
J	Hand Knob		x2
K	Screwdriver		x1
L	Wrench		x1
M	Allen Wrench		x1
N	Cable Tie		x5

ASSEMBLY INSTRUCTIONS

STEP 1

Attach hand knobs to both iron frames and adjust them to the same height (22"-33.5").



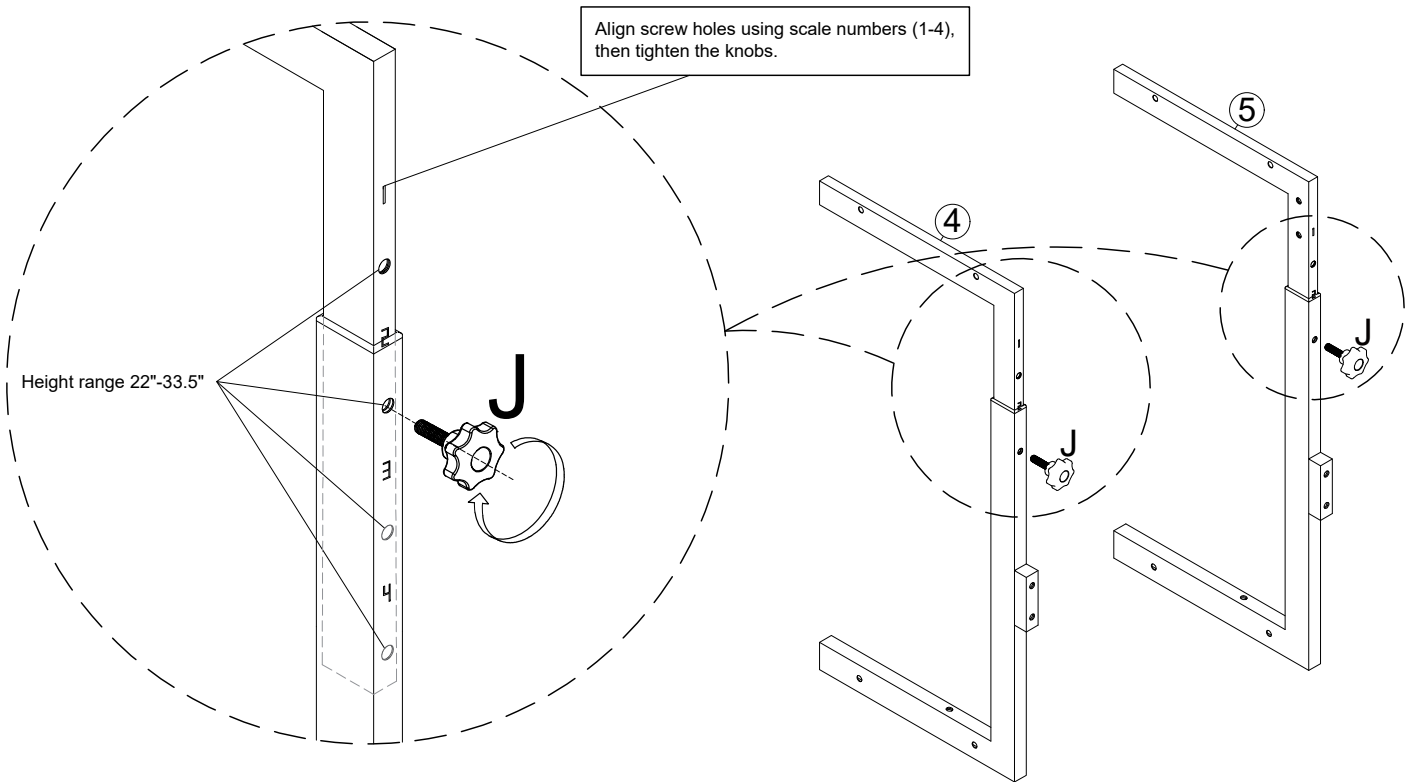
J x 2



④ x 1



⑤ x 1



ASSEMBLY INSTRUCTIONS

STEP 2

Attach fixing brackets to both frames with C screws.



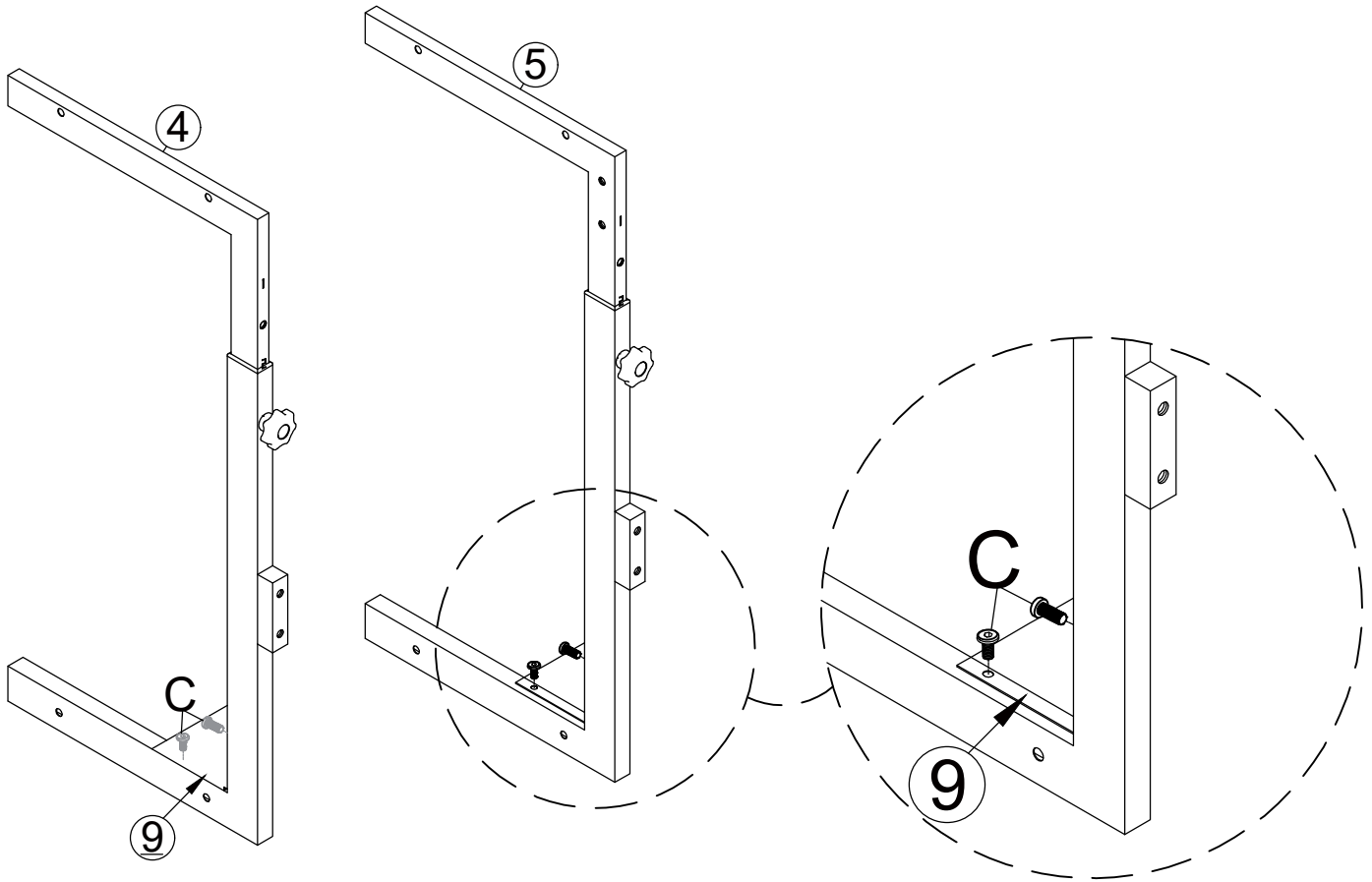
C x 4



⑨ x 2



M x 1



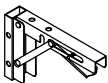
ASSEMBLY INSTRUCTIONS

STEP 3

Attach K-shaped brackets to the upper frames.



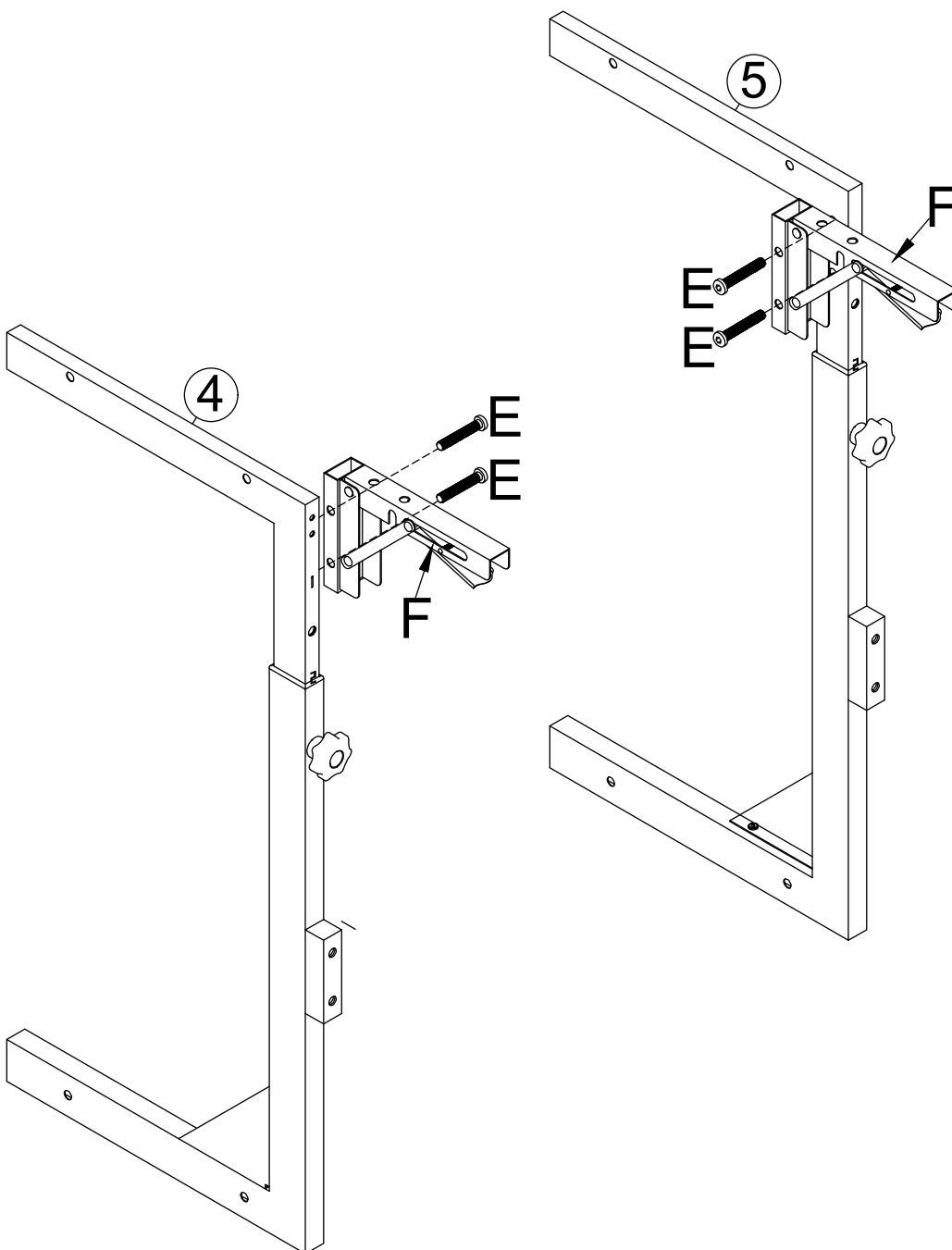
E x 4



F x 2



M x 1



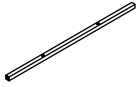
ASSEMBLY INSTRUCTIONS

STEP 4

Attach connecting bars ⑥ to desktop panel ①, and bars ⑧ to bottom panel ③.



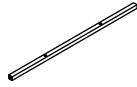
B x 8



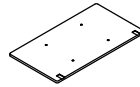
⑥ x 2



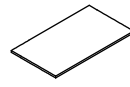
M x 1



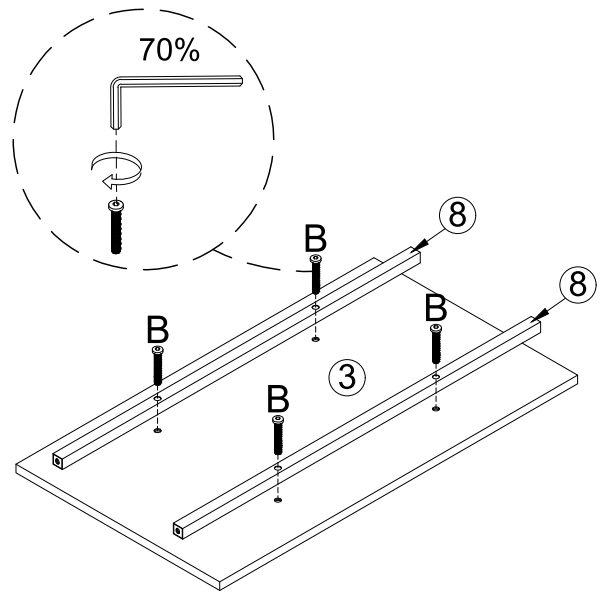
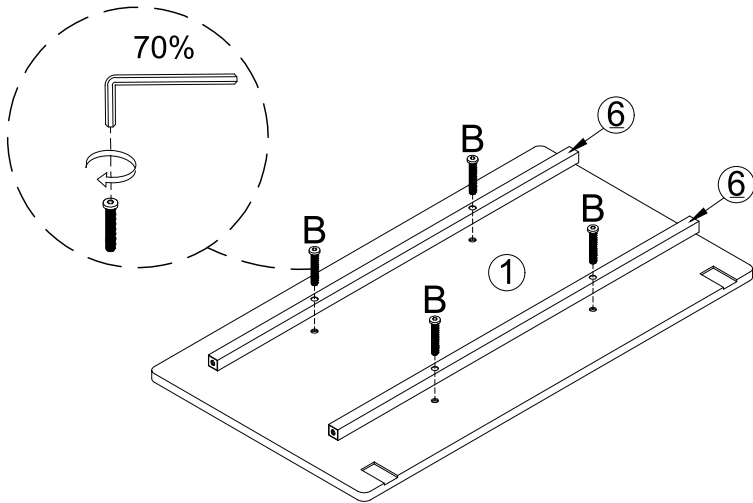
⑧ x 2



① x 1



③ x 1



ASSEMBLY INSTRUCTIONS

STEP 5

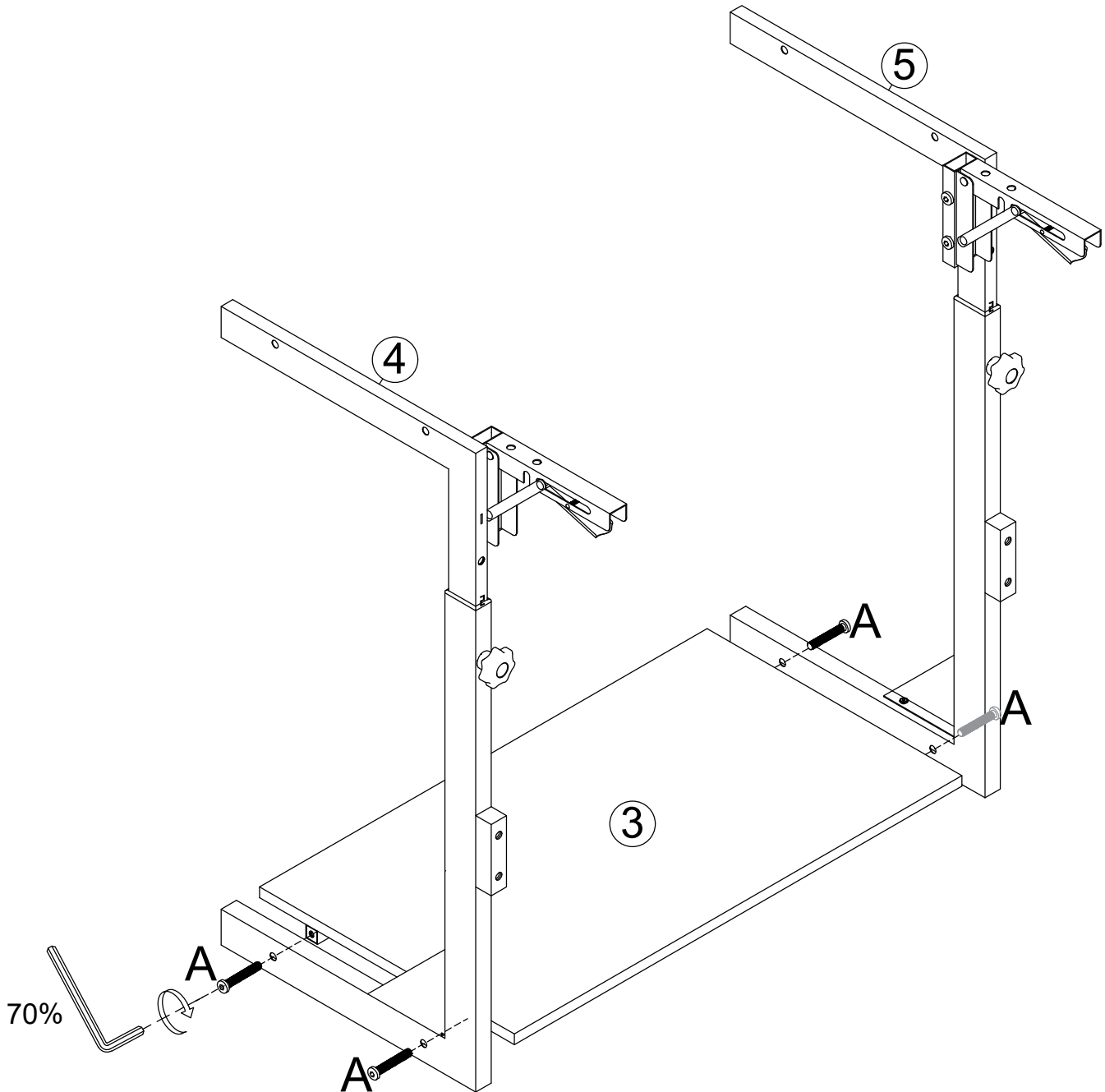
Secure bottom panel ③ to the frames with A screws.



A x 4



M x 1



ASSEMBLY INSTRUCTIONS

STEP 6

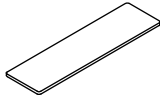
Flip the frame, secure the K-shaped brackets to desktop panel ② with D screws.



A x 4



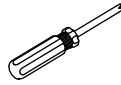
M x 1



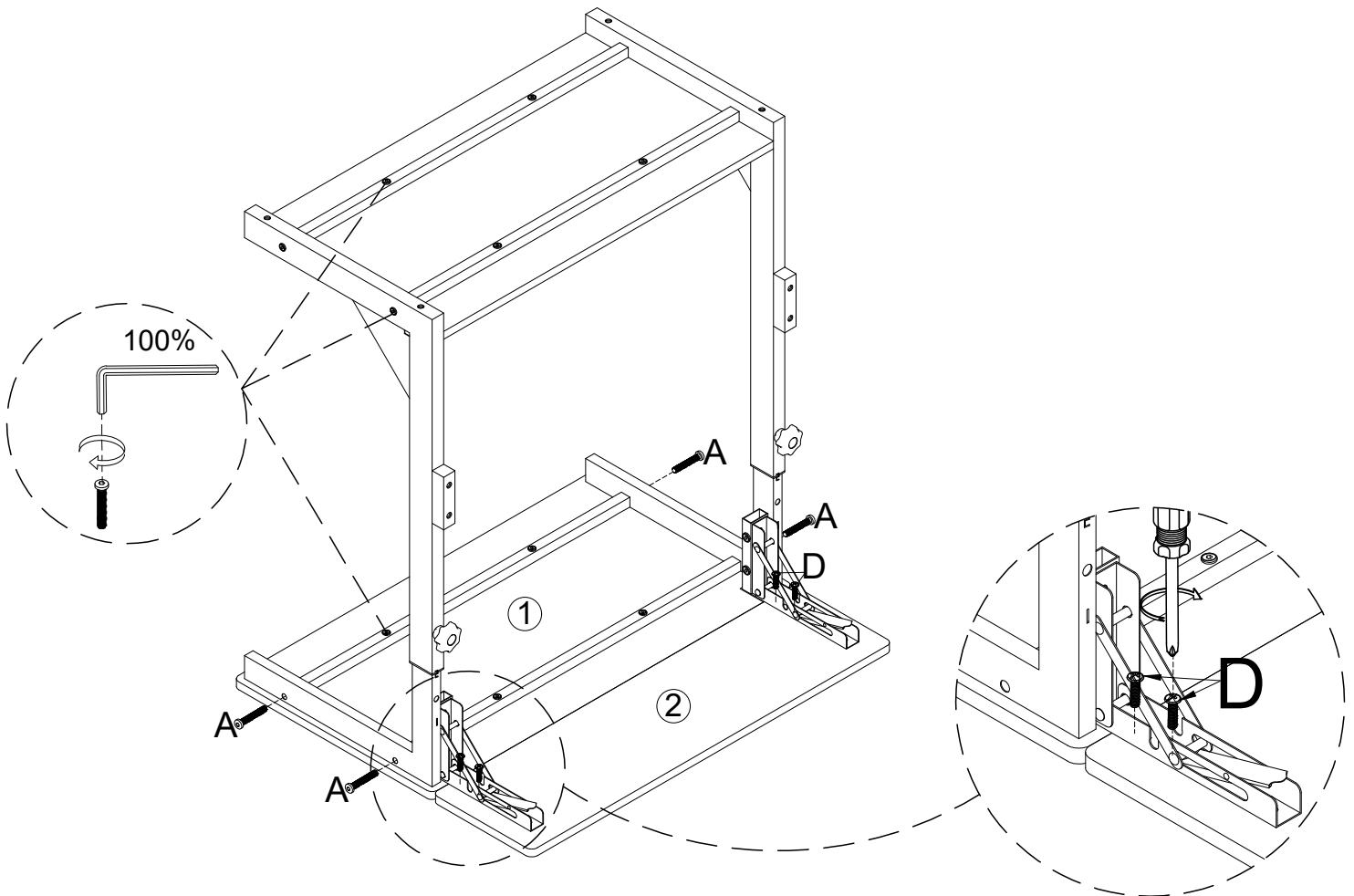
② x 1



D x 4



K x 1



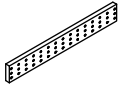
ASSEMBLY INSTRUCTIONS

STEP 7

Attach the metal pegboard to both iron frames.



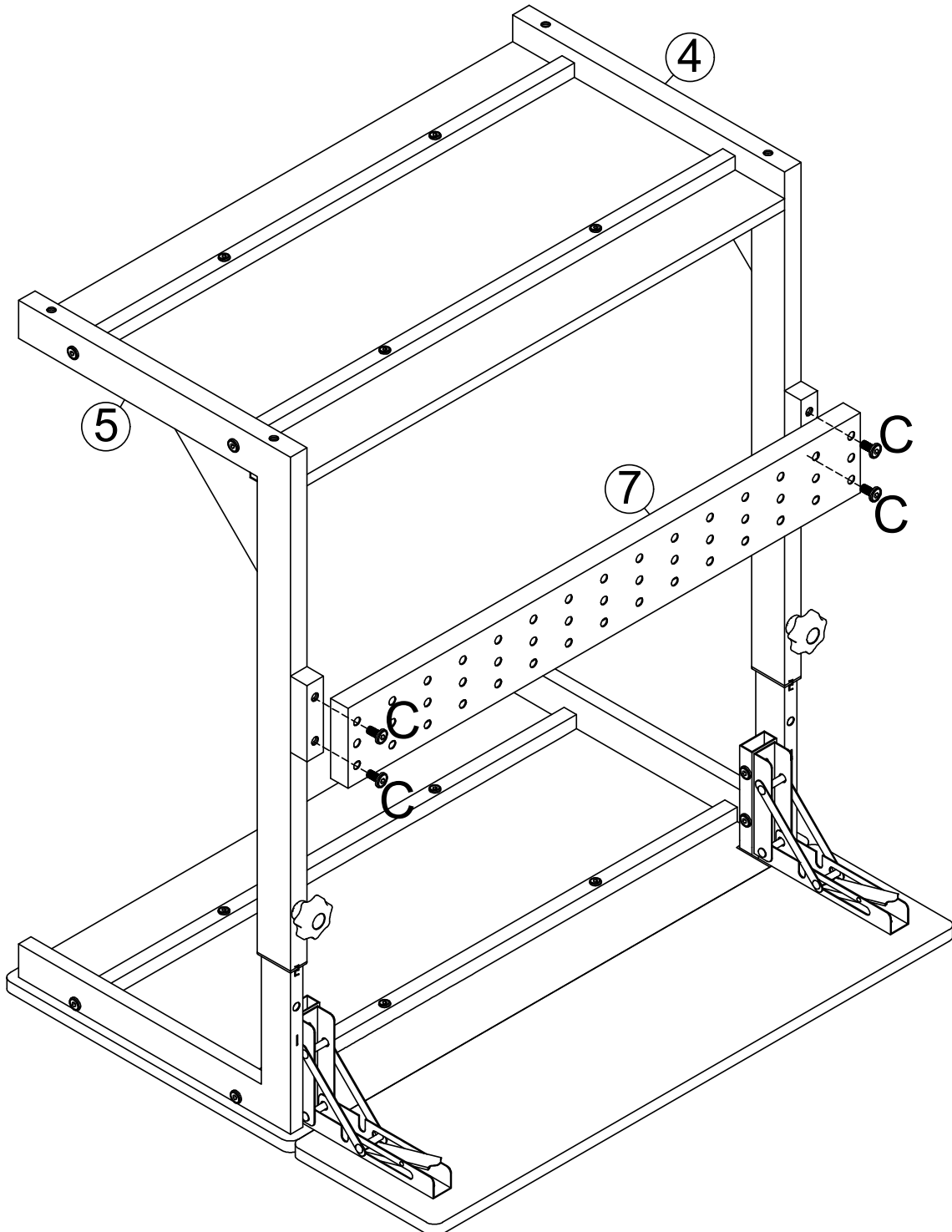
C x 4



7 x 1



M x 1



ASSEMBLY INSTRUCTIONS

STEP 8

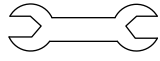
Install braked casters G on one diagonal, and swivel casters H on the other.



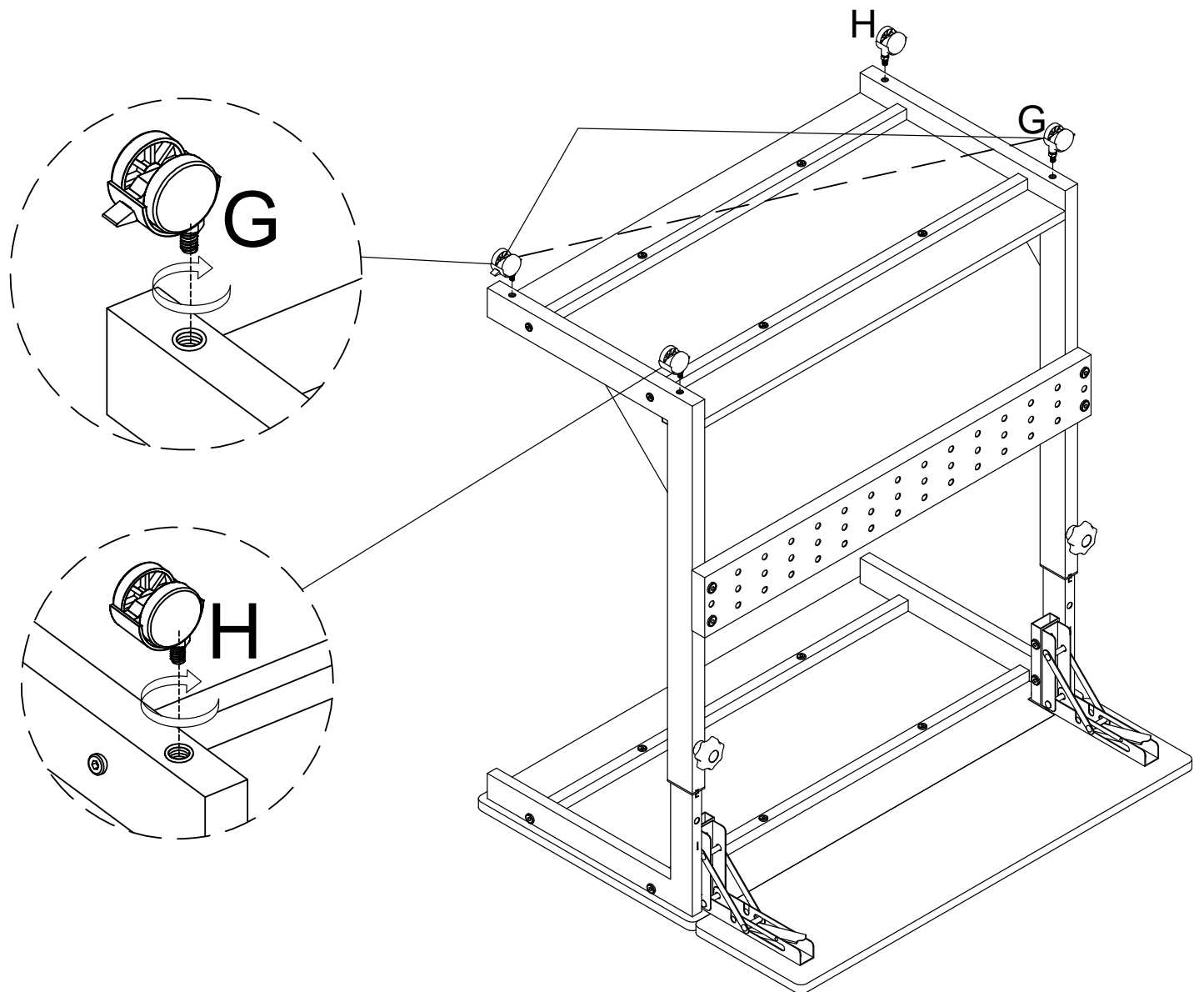
H x 2



G x 2



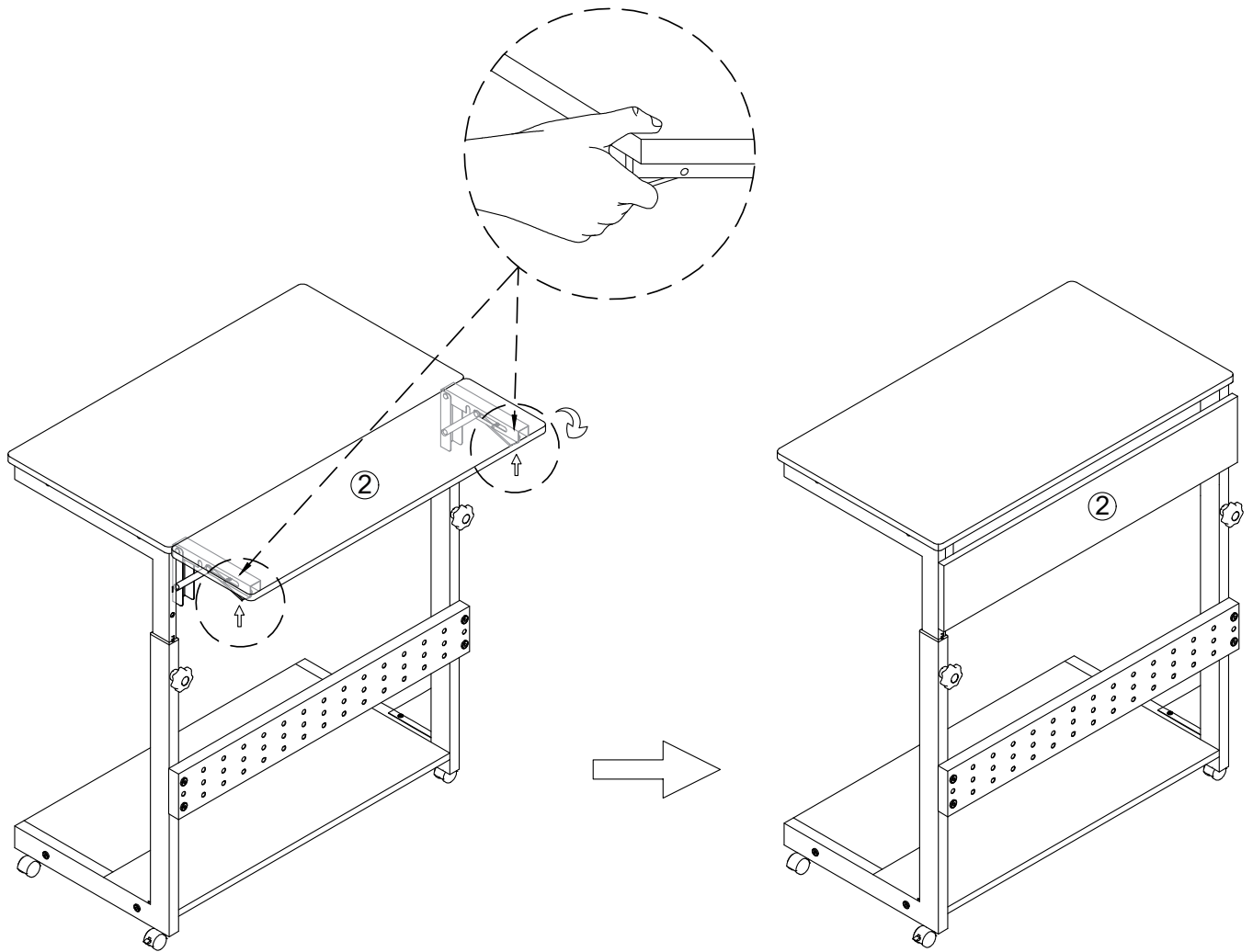
L x 1



ASSEMBLY INSTRUCTIONS

STEP 9

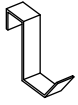
Flip the frame over, then press the K-shaped brackets to fold or unfold desktop panel ② as needed.



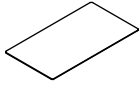
ASSEMBLY INSTRUCTIONS

STEP 10

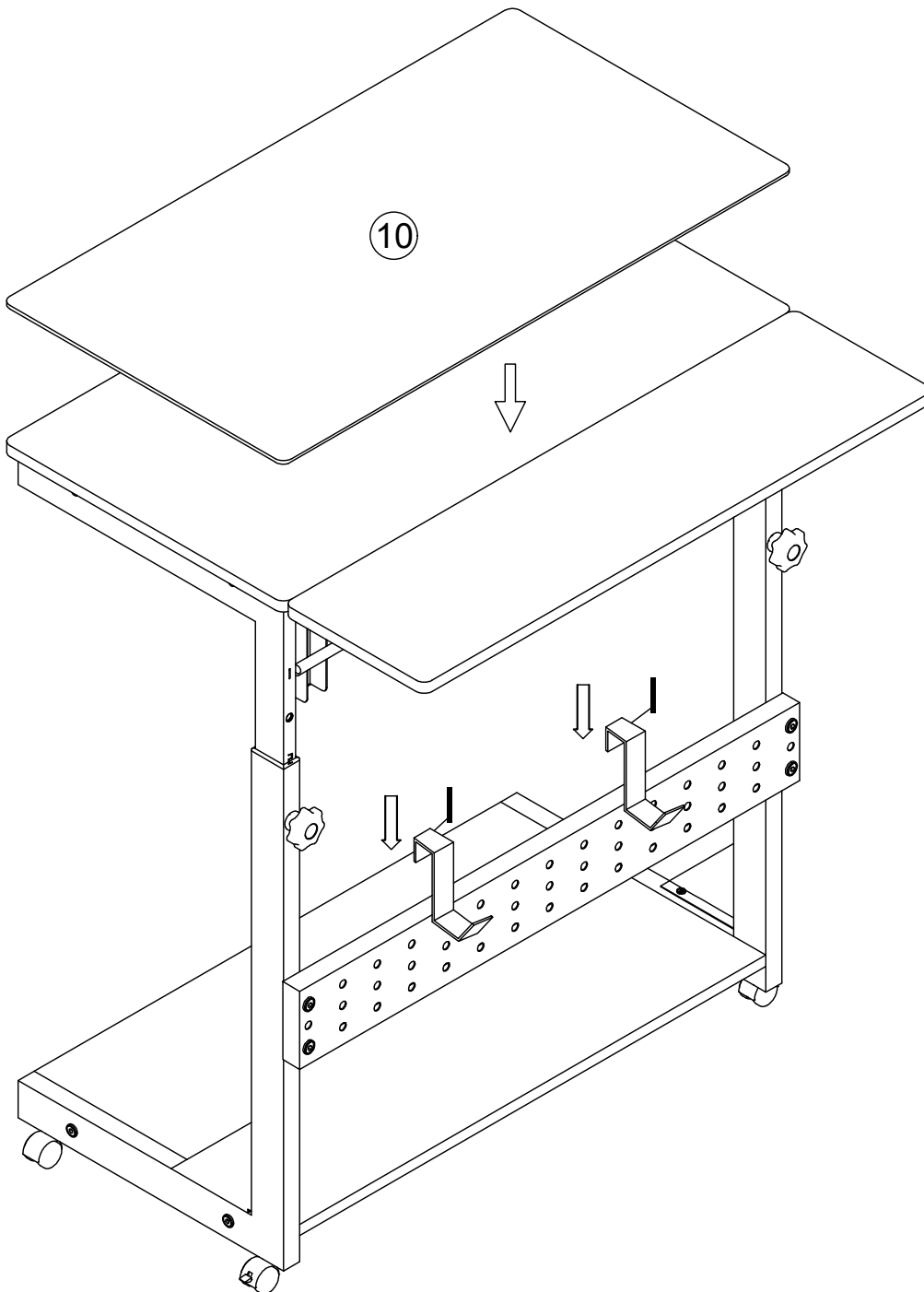
Place the mouse pad and hooks, now your computer tower stand is ready.



1 x 2



⑩ x 1



ASSEMBLY INSTRUCTIONS

STEP 11

Congrats! Enjoy your computer tower stand now.

