

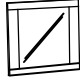
# ASSEMBLY INSTRUCTION

**MODEL : 0407A**  
**B780 DRESSER & MIRROR**

**STEP 1 :**  
Cut the rope and rotate the Back Mirror Support (C) upward before tightening the screw.

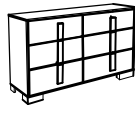

**(Box 1)**

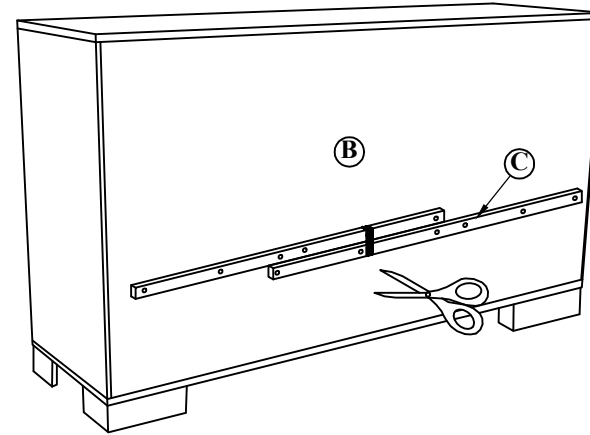
BOX OF MIRROR

NO	ITEM	Qty
	MIRROR	
A		1 PC

**(Box. 2)**

BOX OF DRESSER


NO	ITEM	Qty
	DRESSER	
B		1 PC
	MIRRO BACK SUPPORT	
C		2PCS

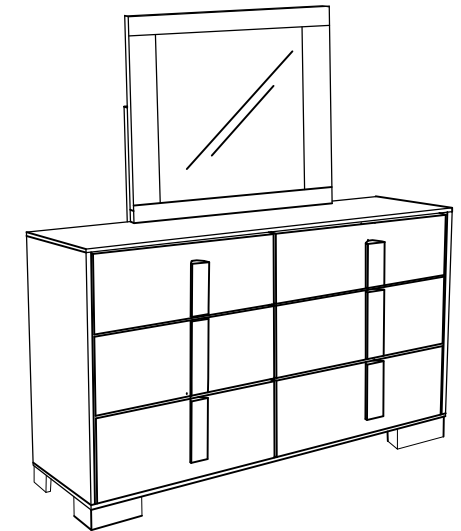
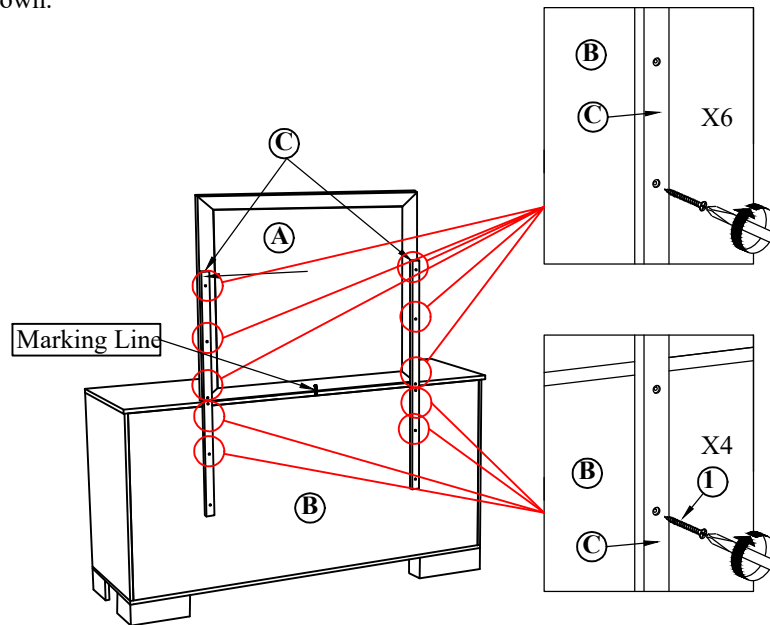


**STEP 2 :**  
Put the mirror (A) on top of Dresser (B) and align to center position by following the marking line provided as shown.

**(Box. 1)**

HARDWARE LIST

NO	ITEM	Qty
	Csk M4 x 32mm Rbw	
1		10 PCS



**COMPLETED**  
**ASSEMBLY**

NOTE : MUST TIGHTEN SCREWS PERIODCALLY WITH USE SCREW WILL BECOME LOOSE CHECK TIGHTNESS OF ALL SCREW EVERY 6-8 WEEKS.