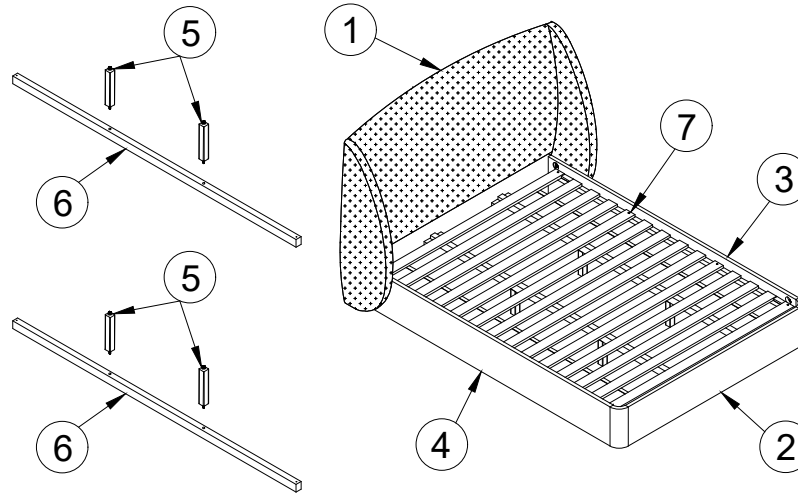
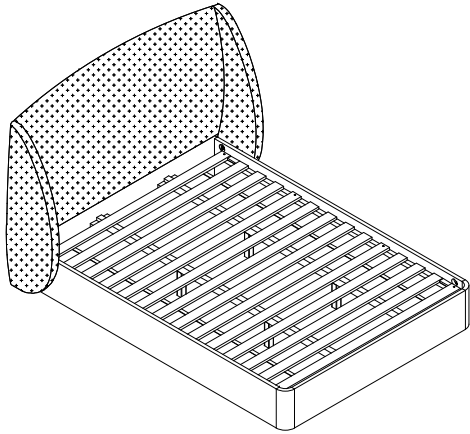







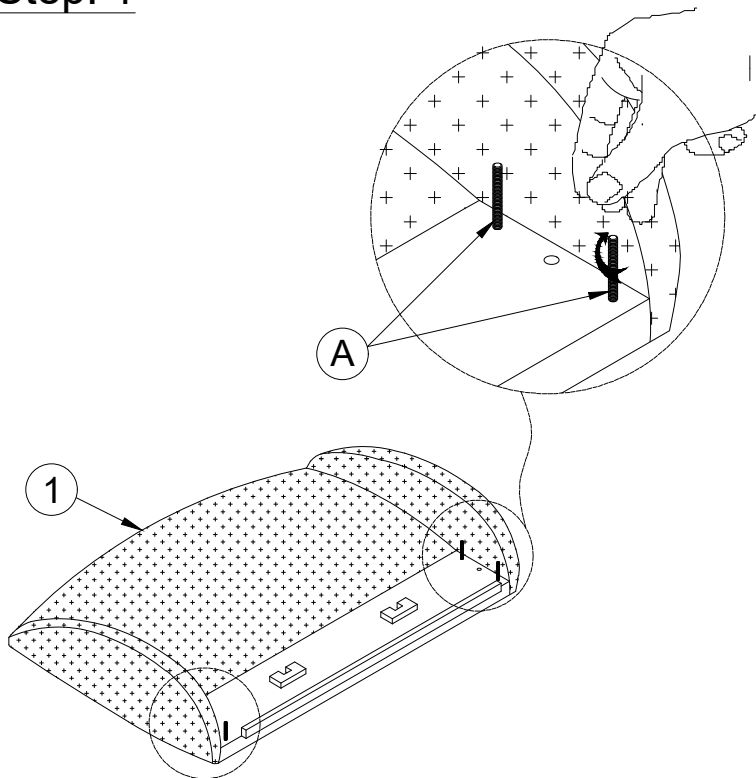


ASSEMBLY INSTRUCTION KING BED

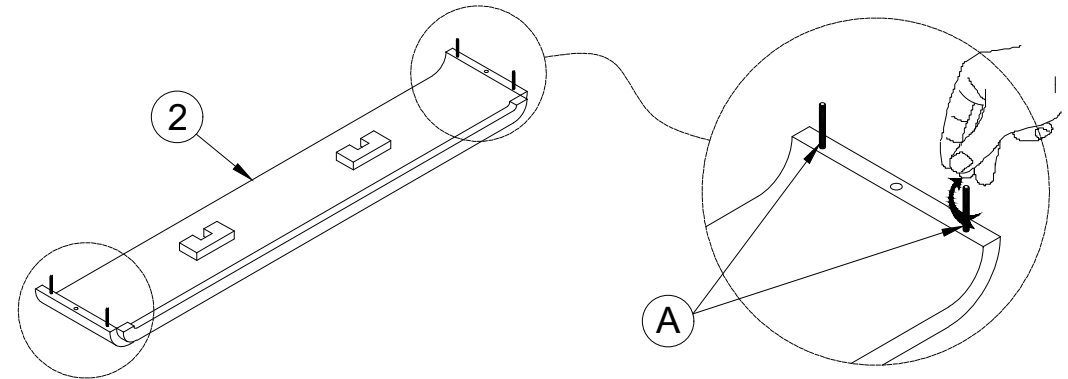


Name of Hardware			
A		Stud Bolts M8 x 80	8
B		Nuts M8	8
C		Lock Washer M8	8
D		Curved Washers	8
E		Long Screw M4x60	4
F		Short Screw M4x30	8
G		Wrench K13	1

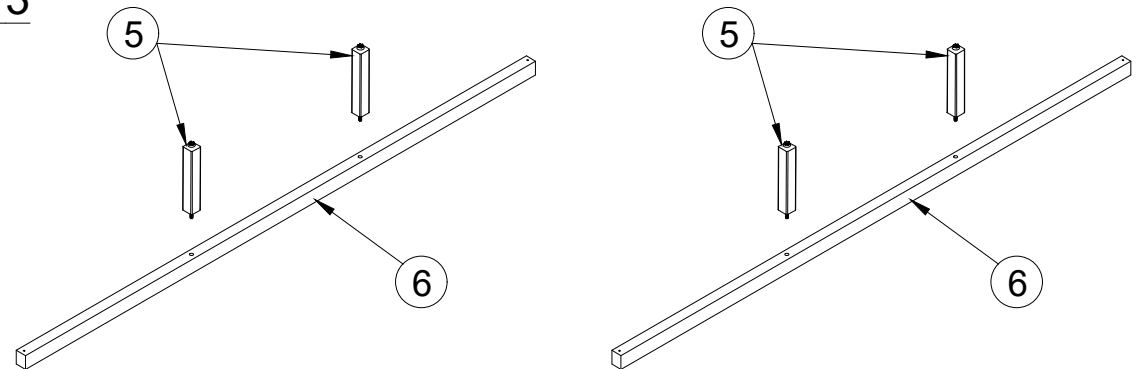
Step: 1



Step: 2



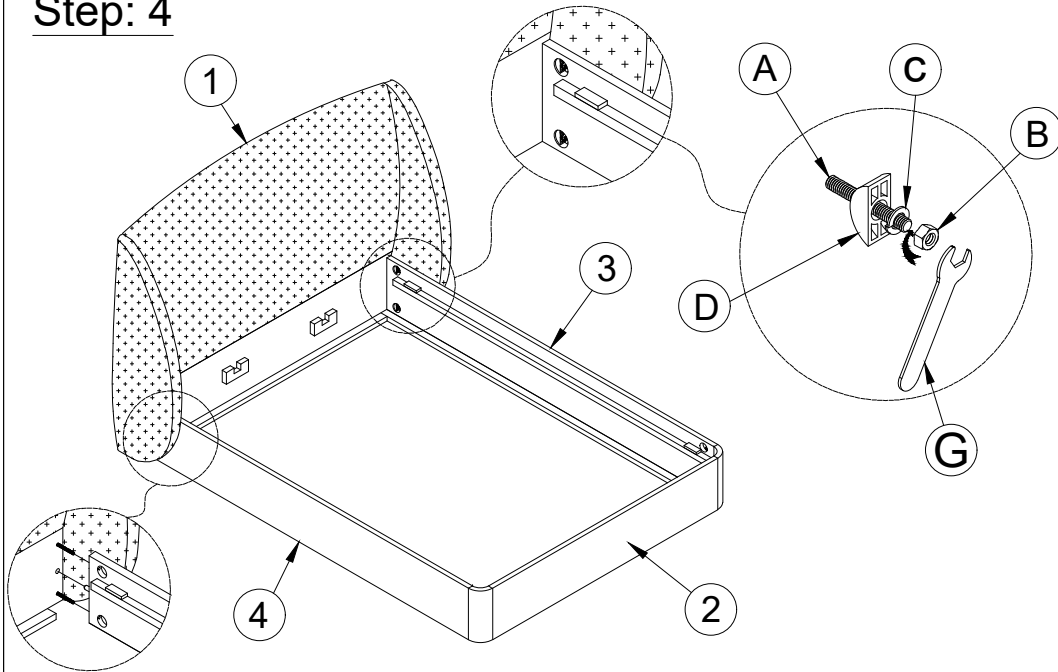
Step: 3



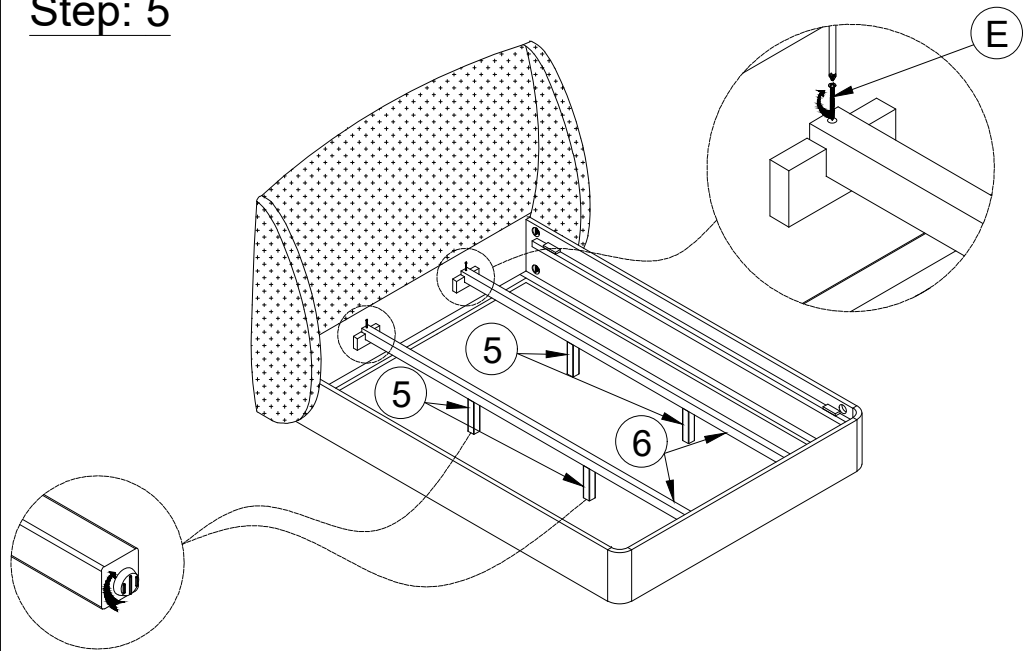
ASSEMBLY INSTRUCTION

KING BED

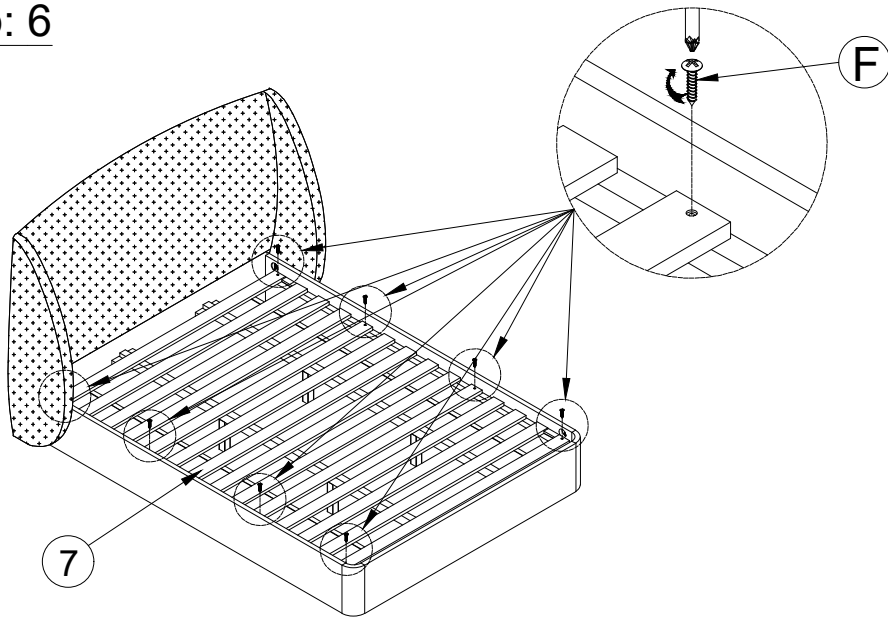
Step: 4



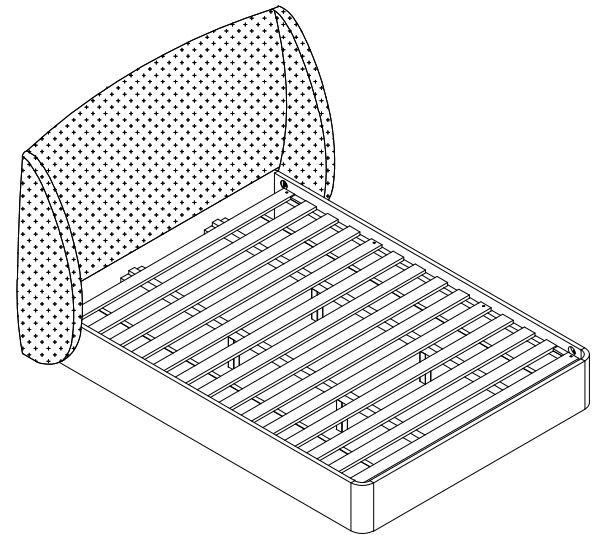
Step: 5



Step: 6



Step: 7



MADE IN VIETNAM

FINISH