

Installation Instructions



Contact Us

Feel free to email us directly at:

service@baashabeauty.com

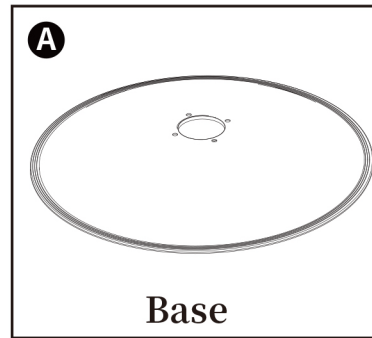
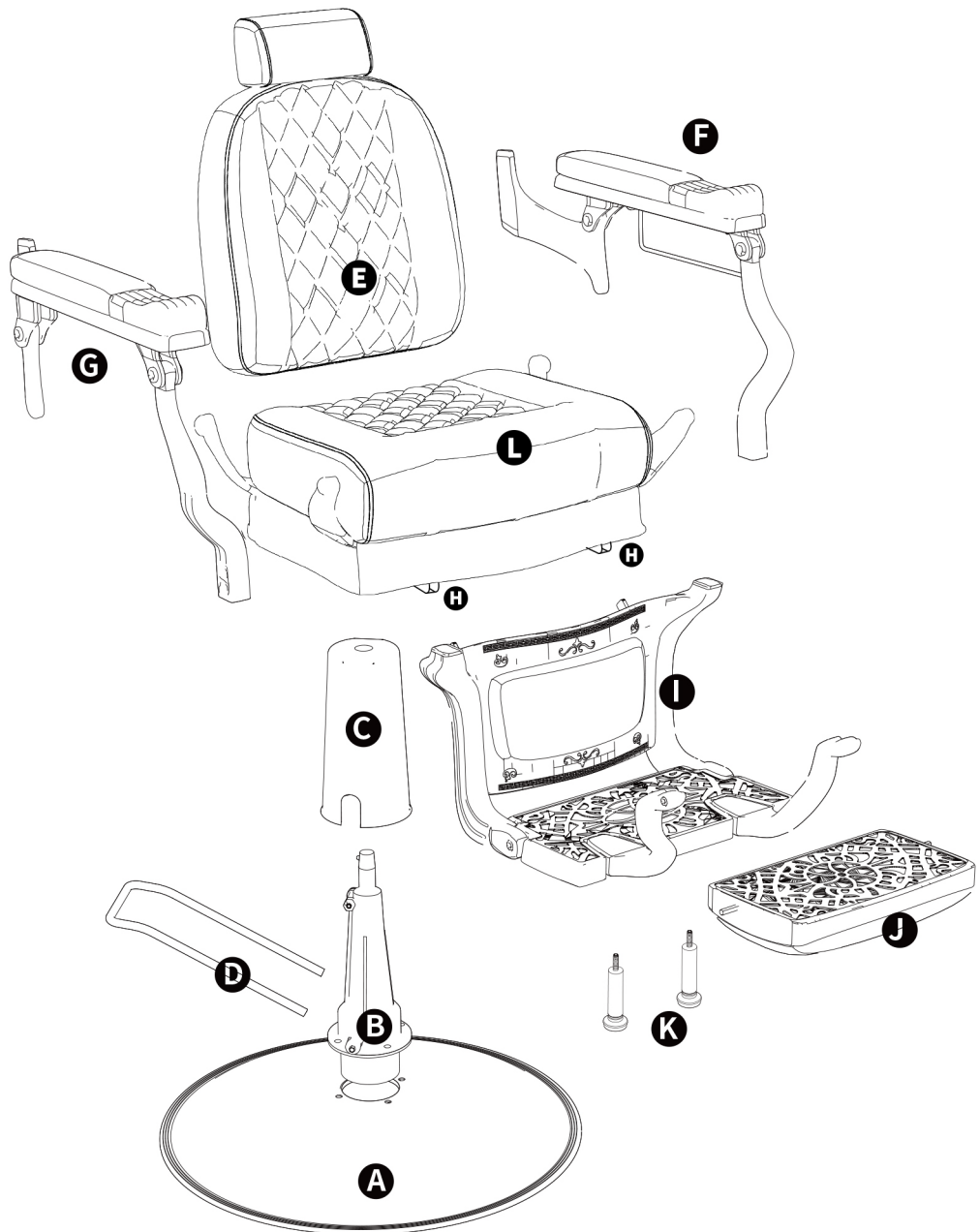
Monday - Saturday (9:00 a.m. - 6:00 p.m. PST)

www.baashabeauty.com

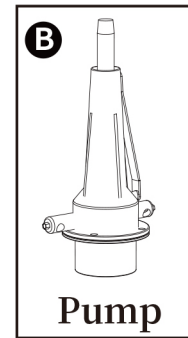


Scan to stay in touch and share the wonderful moments ahead!

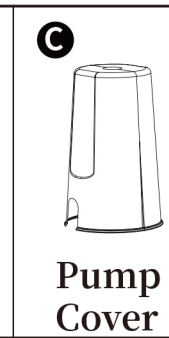
Parts Included



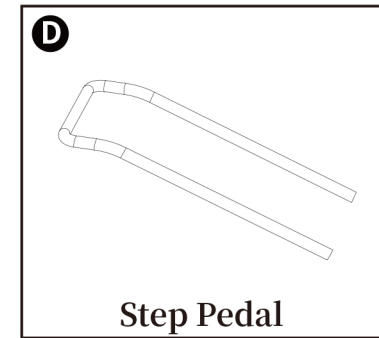
Base



Pump



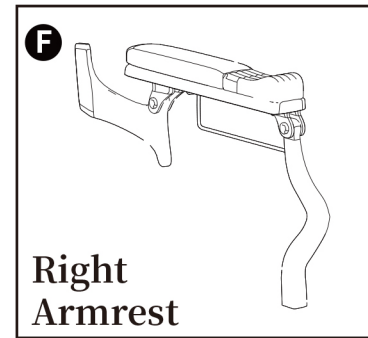
Pump Cover



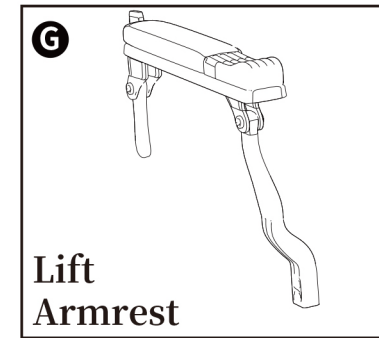
Step Pedal



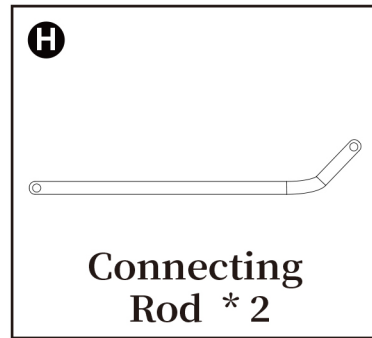
Backrest



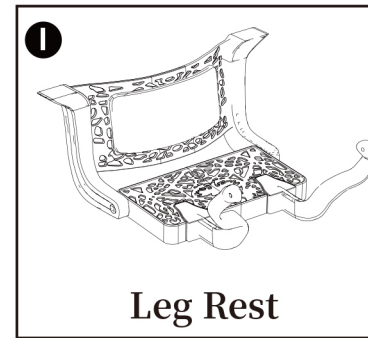
Right Armrest



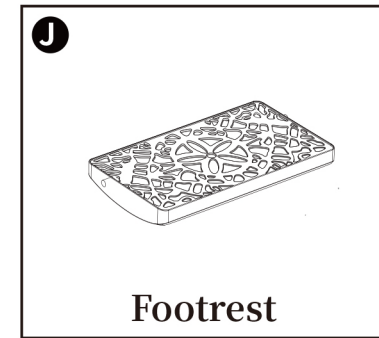
Lift Armrest



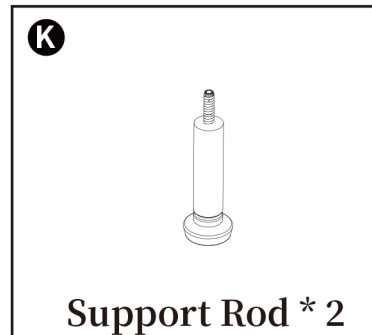
Connecting Rod * 2



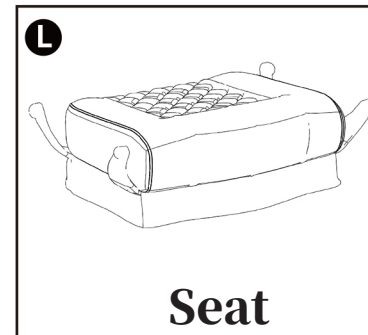
Leg Rest



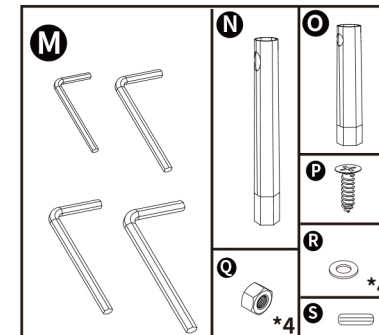
Footrest



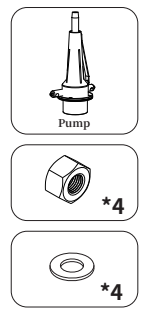
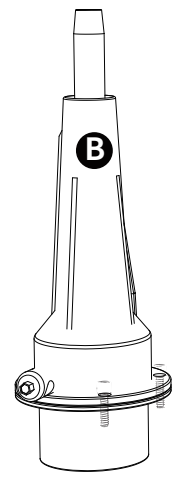
Support Rod * 2



Seat



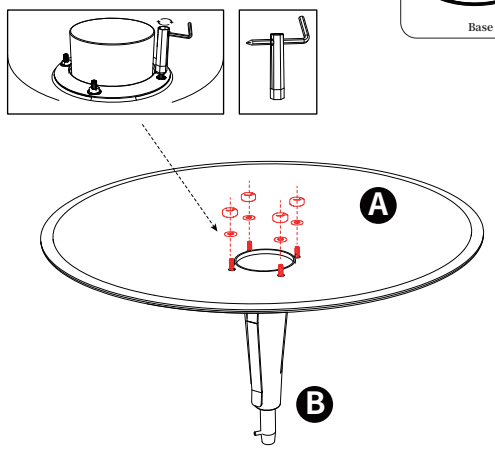
1



1. Take out the pump, 4 screws, and 4 washers.

2

Connect the pump and the base.

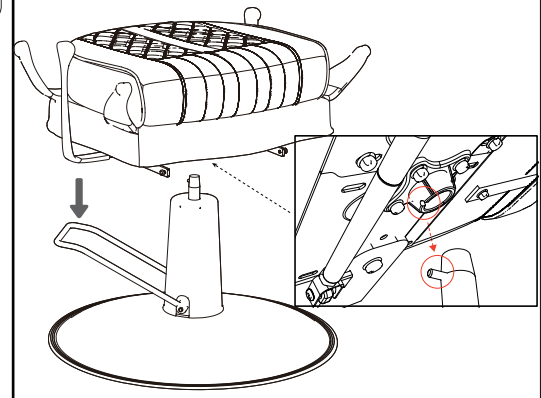


2-1. Insert the pump into the base.
2-2. Thread the long side of the wrench through the socket.
2-3. Tighten the screws removed in step 1.
(- Note: Ensure that all four nuts are tightened to prevent the chair from wobbling.)

5

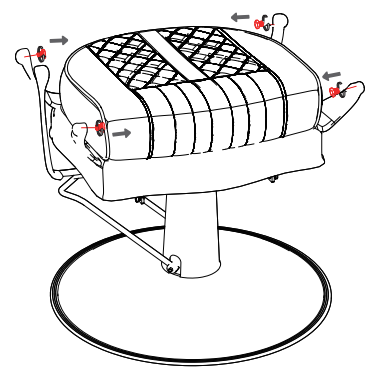
Put the seat onto the pump.

Two person are recommended to complete this step.



5-1. One person lifts the seat.
5-2. The other person adjusts the position of the seat from below.
5-3. Insert the seat onto the pump.

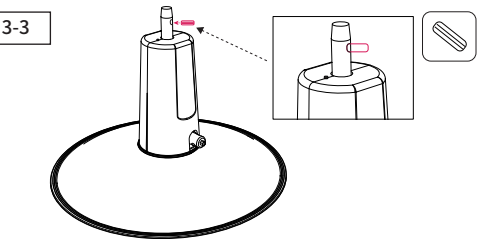
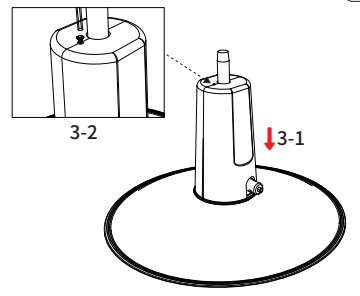
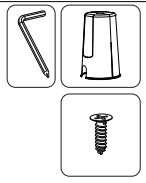
6



6. Use a wrench to remove the pre-installed screws from the four corners of the seat.

3

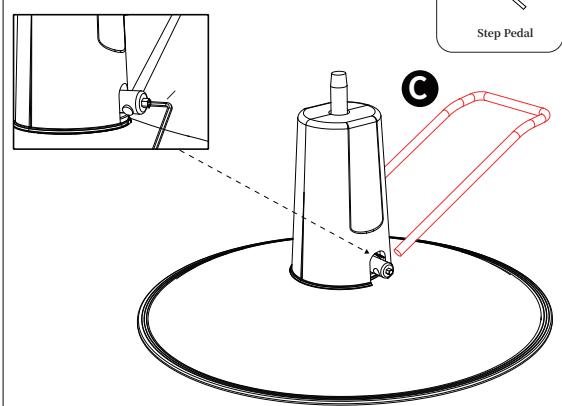
Installing the Pump Cover.



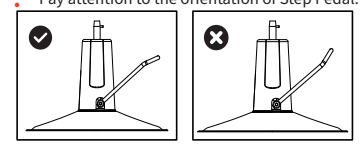
3-1. Place the pump cover onto the pump.
3-2. Align the screw holes on the pump cover with the pump, insert the screws, and tighten them with a wrench.
3-3. Insert the pin into the hole on the pump and hammer it in to secure it to the pump.

4

Install the pedal.



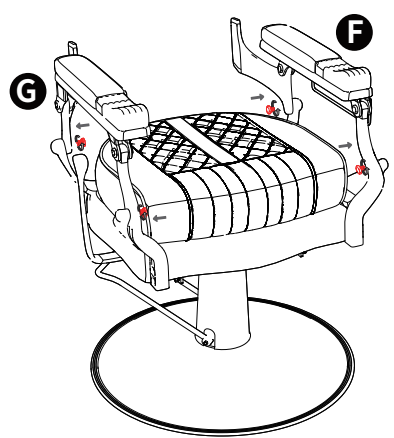
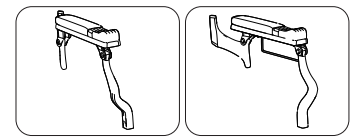
! Pay attention to the orientation of Step Pedal.



4-1. Remove the pre-installed screws on both sides of the pump.
4-2. Insert the pedal onto the pump and tighten the screws removed in step 1 with a small wrench.

7

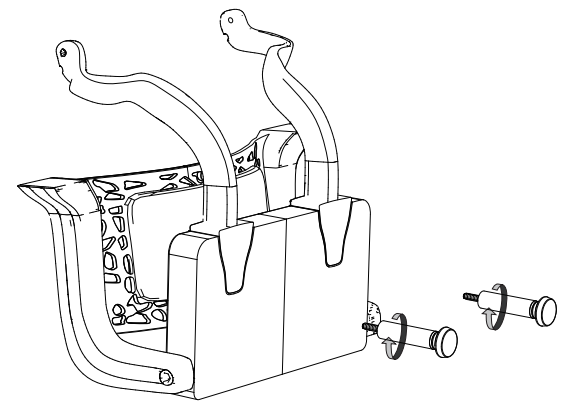
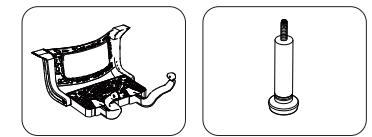
Install the armrests.



7-1. Align the armrests with the screw holes on the seat, insert and tighten the screws removed in the previous step.

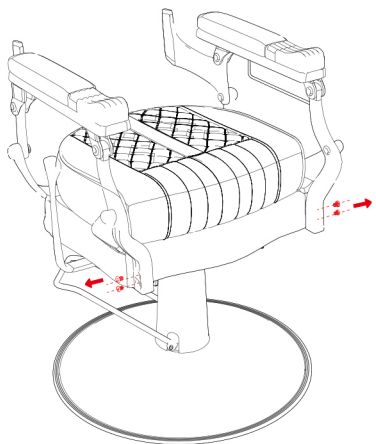
8

Connect the footrest and the support rod.



8-1. Align the support rod with the screw holes at the bottom of the footrest, insert and tighten.

9

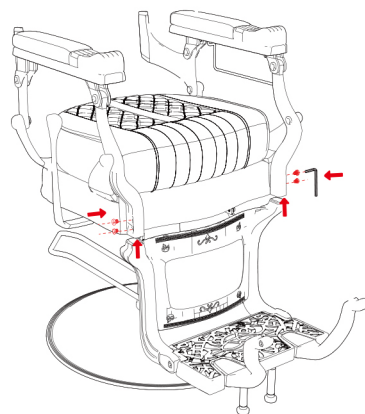


9. Remove the screws preinstalled on the both sides of the armrest.

10

Connect footrest and armrest.

Two person are recommended to complete this step.



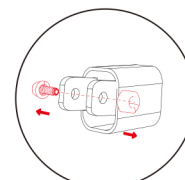
10-1. Remove the 4 screws pre-installed on the left and right sides of the footrest;

10-2. One person lifts the footrest, while the other adjusts the angle of the footrest and inserts it into the groove of the armrest, holding it steady;

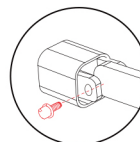
10-3. Insert the screws removed from the first step into the screw holes and tighten them.

13

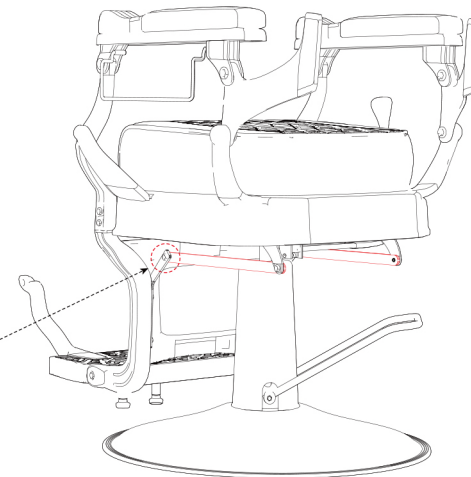
Connect the seat and the footrest.



13-2



13-3



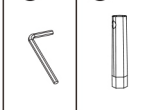
13-1. There are two connecting rods at the bottom of the seat that need to be connected to the footrest.

13-2. Remove the pre-installed screws and nuts on the footrest.

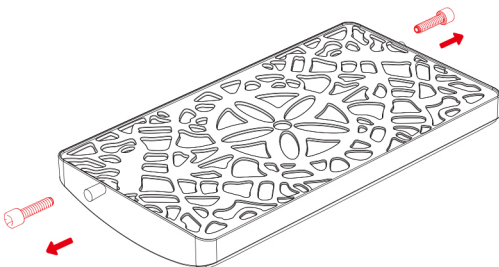
13-3. Align the connecting rod with the screw holes on the footrest, tighten the screws and nuts removed in the previous step.

N

O

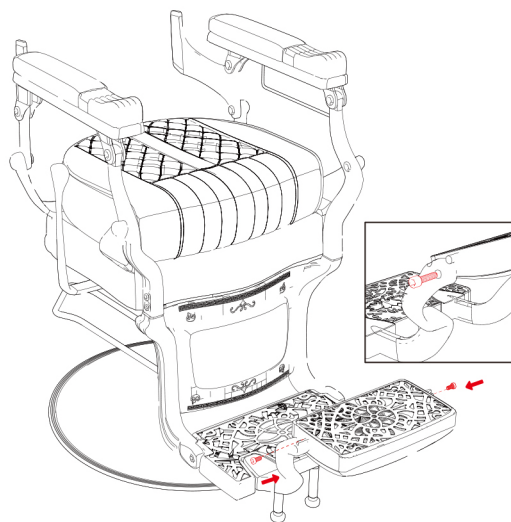


11



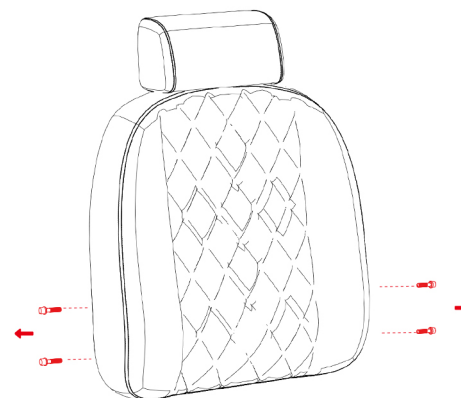
11. Remove the pre-installed screws on both sides of the footrest.

12



12. Align the footrest with the screw holes on both sides of the foot pedal, insert and tighten the screws removed in the previous step.

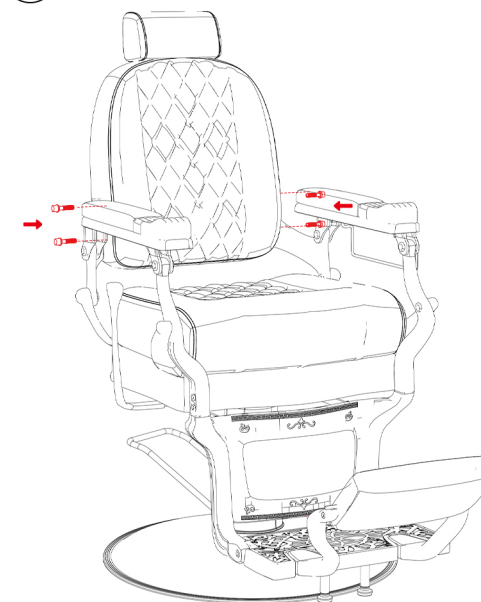
14



14. Remove the four pre-installed screws on both sides of the backrest.

15

Install the backrest.

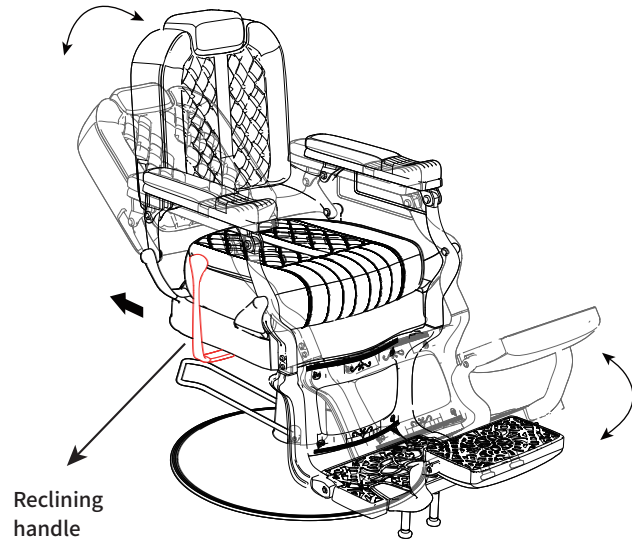


15. Place the backrest on the seat, align the screw holes, insert and tighten the screws removed in the previous step.

Chair Operation Guide

1 Reclining or Returning the Backrest to an Upright Position.

- Sit on the chair, pull the reclining handle back while leaning your body backward, and the chair's backrest will recline.
- Pull the reclining handle while sitting up straight, and the backrest will return to the upright position.

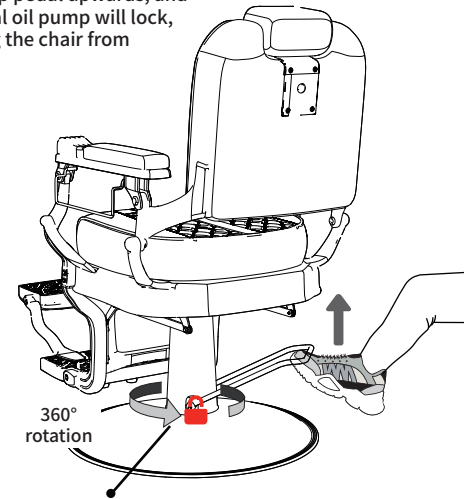


2 Locking or Unlocking the Chair's Swivel Function.

This chair has a locking feature.

2-1. Locking the Chair

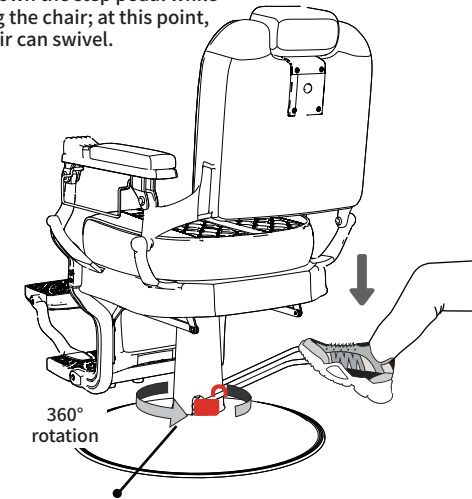
Lift the step pedal upwards, and the internal oil pump will lock, preventing the chair from rotating.



rotating locked

2-2. Unlocking the Chair

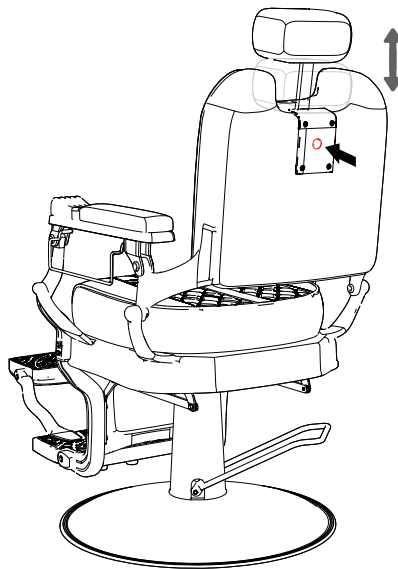
Press down the step pedal while rotating the chair; at this point, the chair can swivel.



rotating unlocked

3 Adjusting the Headrest Height.

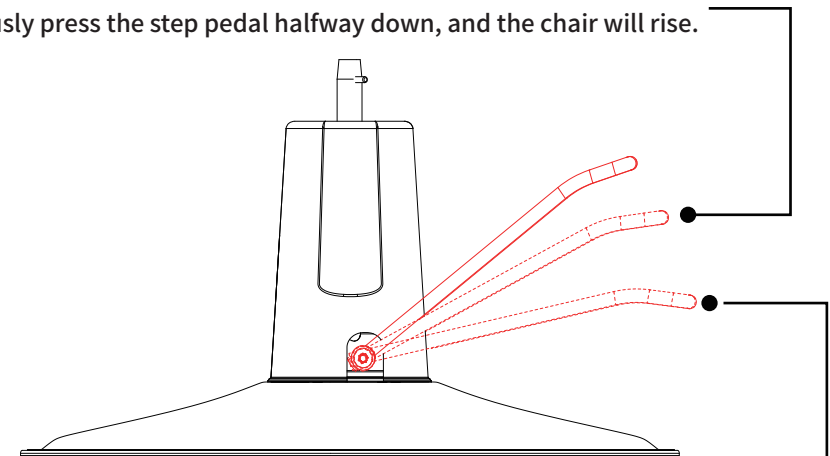
- Press the button on the back of the backrest to adjust the headrest height;
- Release the button to lock the headrest height in place.



4 Adjusting the Chair Height.

4-1. Raising the Chair

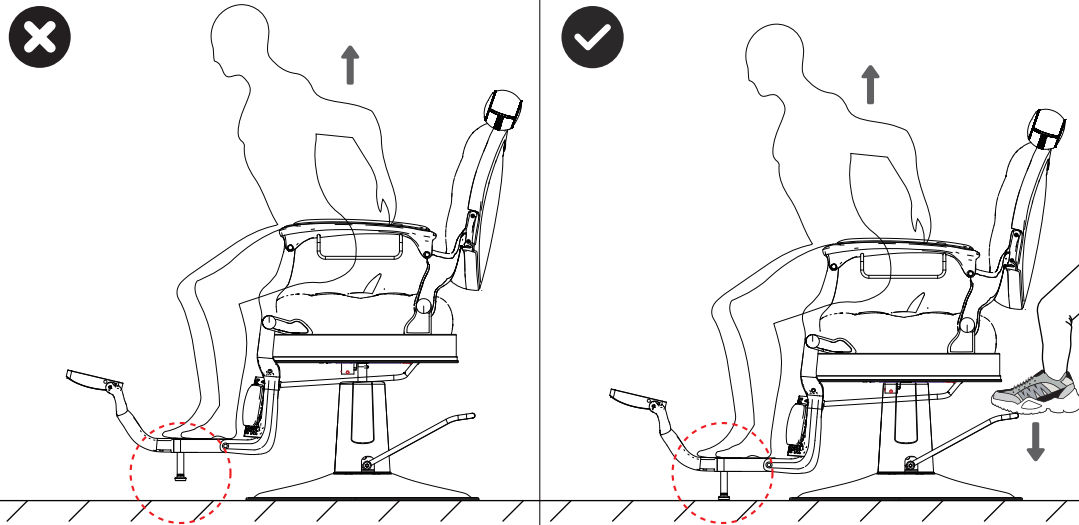
Continuously press the step pedal halfway down, and the chair will rise.



4-2. Lowering the Chair

Press the step pedal all the way down and hold it, and the chair will lower.

Correct Way to Leave the Chair to Avoid Tipping



Incorrect Example:

There is a significant distance between the support rod and the ground, stepping on the foot pedal at this time may cause the chair to tip forward.

Correct Example:

Lower the chair to the lowest position, the support rod will close to the ground, you can safely step on the foot pedal and leave the chair.

Trouble and Solution

NO.	Trouble	Potential Issues	Solution
4	The chair is wobbling.	Loose connection between the pump and the base.	Please check the screws underneath the base and tighten them again.
5	Missing screws.	Some screws are pre-installed.	Most screws are pre-installed on the chair's components. Please check again to see if there are screws in the screw holes on the chair's components.
6	Missing parts.	The chair is shipped in two packages.	If your chair is shipped in two separate packages, we will send you the tracking numbers for both packages via Amazon after the chair has been shipped. Please keep an eye out for them. The two packages may not arrive simultaneously.
7	Damaged	The chair leather, metal, and other accessories are damaged.	If you find any damage to the chair after receiving it, please do not rush to return it. Please contact us and provide pictures of the damage in your message so that we can quickly identify the required parts. We will promptly send you the replacement parts.
8	Other issues	Contact Us	If you have any further questions, please feel free to contact us at service@baashabeauty.com . In order for us to better understand and resolve the issue quickly, please provide relevant pictures or videos related to the problem in your email.

WARNING:

ANY PACKING BAGS OF THIS PRODUCT ARE NOT TOYS. TO AVOID THE DANGER OF SUFFOCATION, KEEP AWAY FROM BABIES AND CHILDREN. DO NOT USE IN CRIBS OR BEDS.

Trouble and Solution

NO.	Trouble	Potential Issues	Solution
1	The pump is not working.	The pump's lift function is not working properly.	Please refer to section 4 of the operation guide to check if the operation is correct.
2		Cannot swivel.	Please refer to section 2 of the operation guide to check if the operation is correct. If the chair still has difficulty rotating, please repeat lifting the foot pedal and then pressing it down while rotating the chair several times. This should make the chair easier to rotate.
3	The pump is making unusual noises.	There is air inside the pump.	Because it's brand new, there may be some air inside the pump. Please repeatedly lift and lower the chair to expel the air.