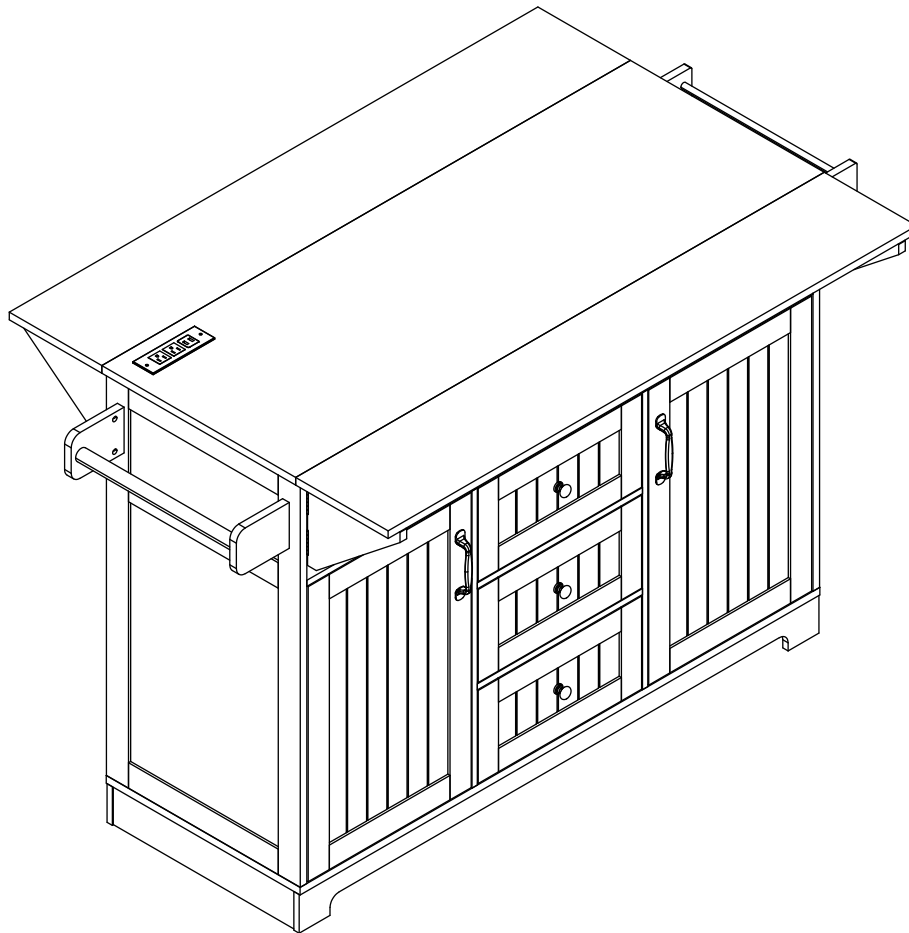


Kitchen Island Carts

Assembly Instructions - Please keep for future reference



Dimensions

Width-47.2inch

Depth-17.7inch+11inch

Height-36.2inch

Important – Please read these instructions fully before starting assembly



Safety and Care Advice

Important – Please read these instructions fully before starting assembly

- Check you have all the components and tools listed on the following pages.
- Remove all fittings from the plastic bags and separate them into their groups.
- Keep children and animals away from the work area, small parts could choke if swallowed.
- Make sure you have enough space to layout the parts before starting.

- During assembly do not stand or put weight on the product, this could cause damage.
- Assemble the item as close to its final position (in the same room) as possible.
- Assemble on a soft level surface to avoid damaging the unit or your floor.
- Parts of the assembly will be easier with 2 people.



power drill is set on a low torque setting.

- To reduce the likelihood of damaging your product please ensure that your

Care and maintenance

- Only clean using a damp cloth and mild detergent, do not use bleach or abrasive cleaners.
- From time to time check that there are no loose screws on this unit.
- This product should not be discarded with household waste. Take to your local authority waste disposal centre.

Handy Hints

- Assemble all parts and bolts loosely during assembly, only once the product is complete should you fully tighten the bolts
- Regularly check and ensure That all bolts and fittings are tightend properly.

WARNING In order to help prevent overturning – please follow these instructions

To help prevent product toppling over please follow the below steps:-

Use the anti tip stap or wall fixing method provided (if applicable)
Do not allow children to climb or hang on the furniture
Do not open more than one drawer at a time
Do not place heavy items in the top drawers
Do not place heavy items on top of the furniture, unless the furniture has been designed for this purpose

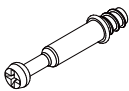

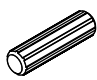

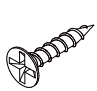
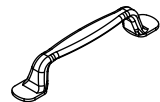
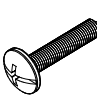
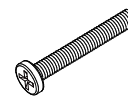
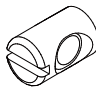
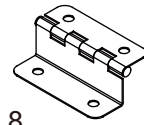
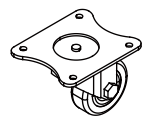
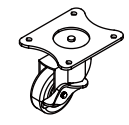

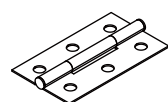
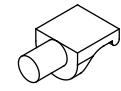
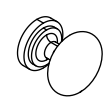
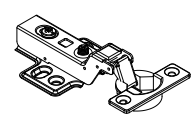
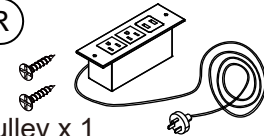
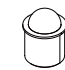
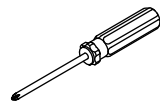

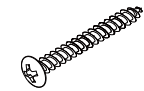
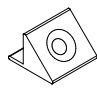

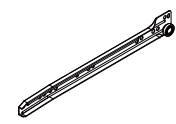

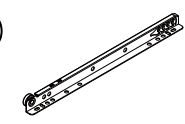
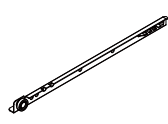
Please note that only the anti tip strap is provided.

You will need to provide wall plugs and screws applicable for your wall type

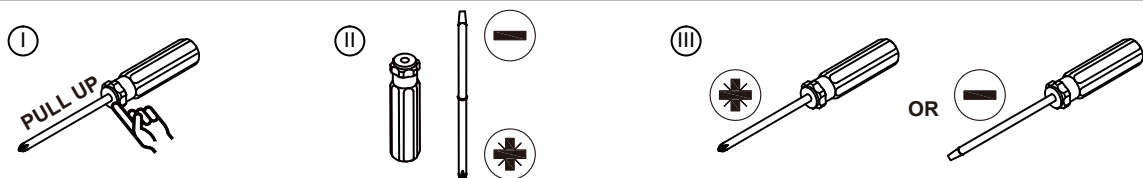
Components - Fittings

Please check you have all the panels listed below

Note: The quantities below are the correct amount to complete the assembly. In some cases more fittings may be supplied than are required.

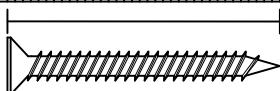
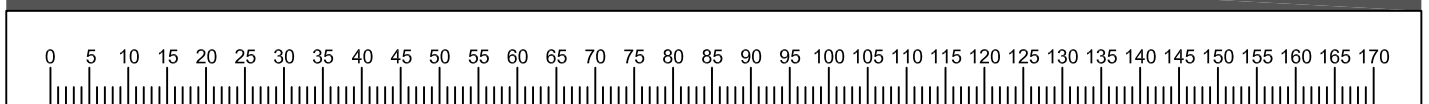
(A)  Cam Bolt x 42	(B)  Cam lock x 42	(C)  6*30mm Dowel x 40	(D)  4*35mm Screw x 22
(E)  3.5*12mm Screw x 116	(F)  Hold hands x 2	(G)  4*16mm Screw x 4	(H)  6*45mm Screw x 8
(I)  Vertical nut x 8	(J)  hinge x 8	(K)  Caster x 3	(L)  Locking caster x 2
(M)  6*14mm Screw x 20	(N)  hinge x 6	(O)  Pivot x 8	(P)  Hold hands x 3
(Q)  26mm x 4	(R)  Pulley x 1	(S)  Pressure ball x 4	(T)  Screwdriver x 1
(U)  4*10mm Screw x 3	(V)  4*25mm Screw x 20	(W)  Back plate buckle x 12	(X)  3*14mm Screw x 12
(CR)  Runner 350mm x 3	(CL)  Runner 350mm x 3	(DR)  Runner 350mm x 3	(DL)  Runner 350mm x 3

Tools required



Screwdrivers can be converted to Phillips and Slotted.

Ruler - Use this ruler to help correctly identify the screws



The screws length is measured from the head to the point (35mm screw shown).

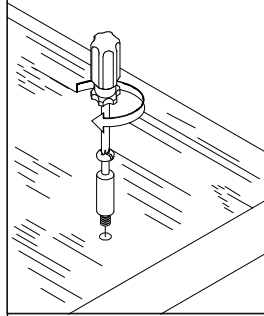
Using Camlocks

Step 1

Connect the male camlock as directed in the assembly instructions using a screwdriver.

1

DO NOT OVER TIGHTEN.
NE PAS SERRER EXCESSIVEMENT.



Step 2

Push the male camlock into the entry hole.

2

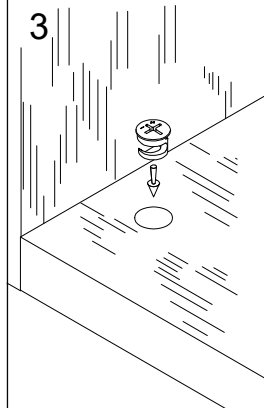


Step 3

Insert the female camlock as shown in the instruction.

Note: ensure that the arrow on the top of the camlock points towards the entry hole for the male camlock.

3



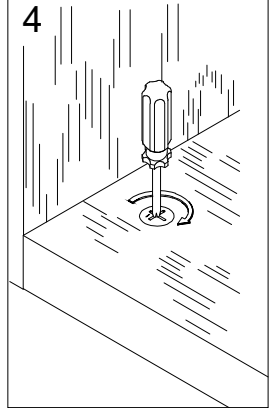
Step 4

Turn the female camlock clockwise with a screwdriver.

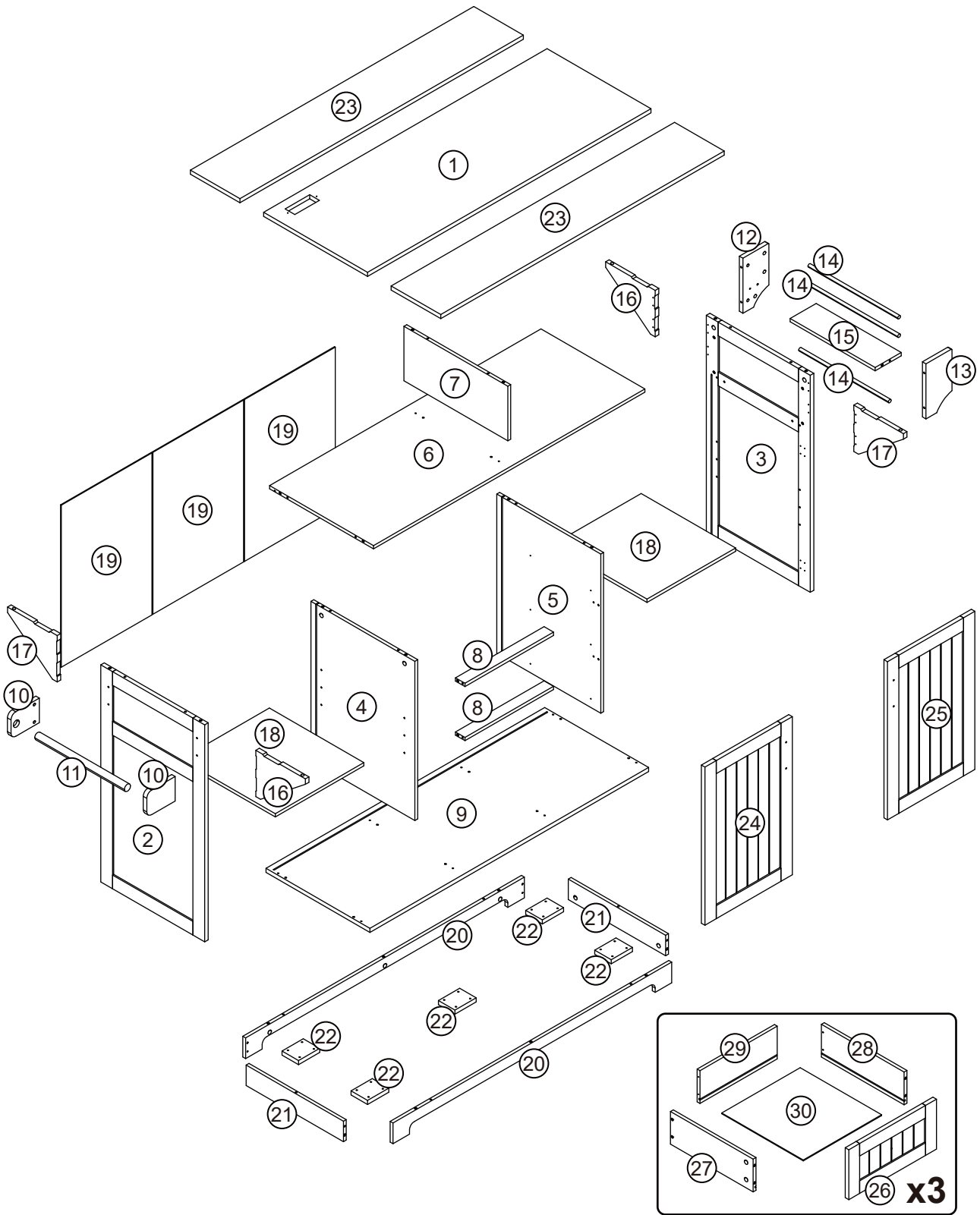
You should feel a click when the camlock is locked in place.

The joint is now secure.

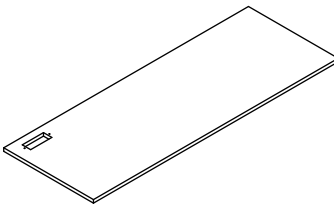
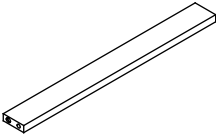
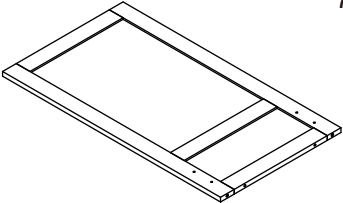
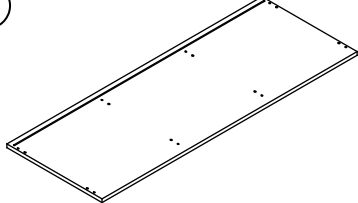
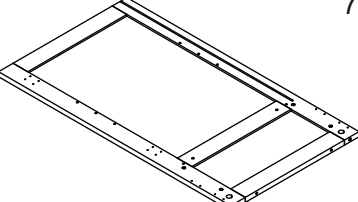
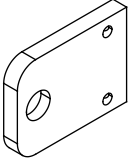
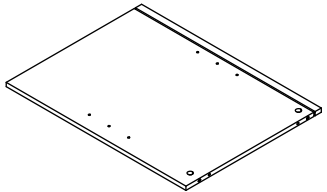
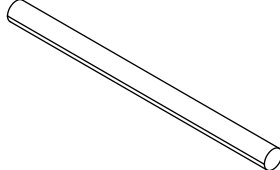
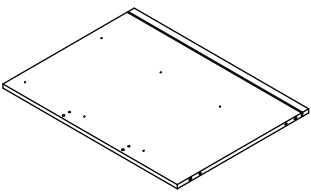
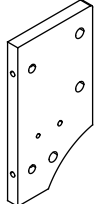
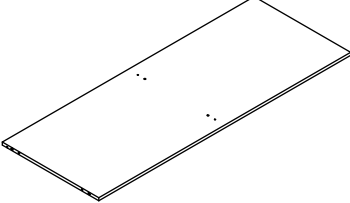
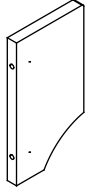
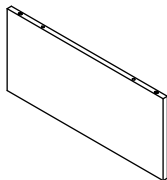
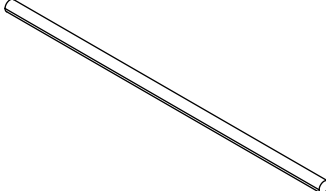
4



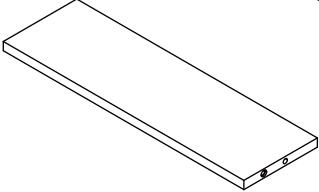
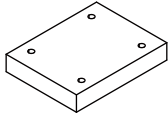
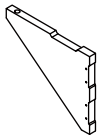
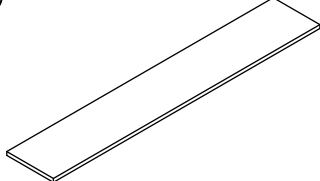
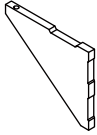
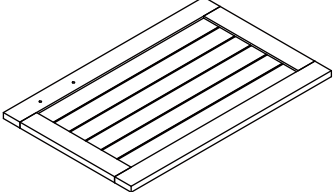
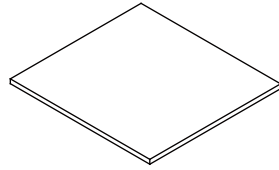
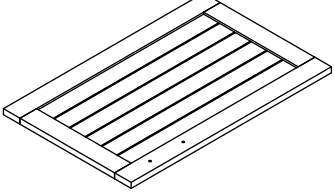
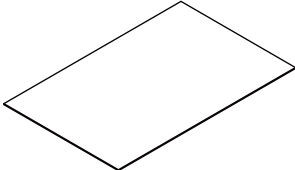
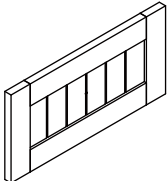
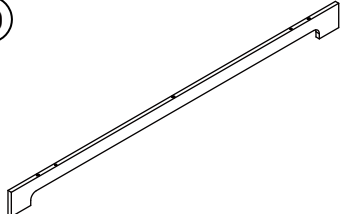
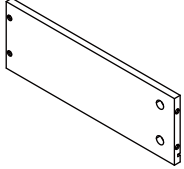
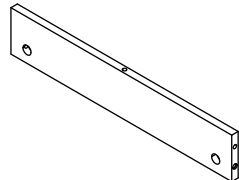
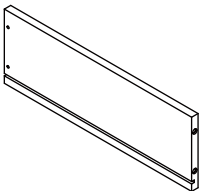
Assembly Instructions



Assembly Instructions

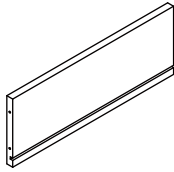
<p>①</p>  <p>1200 x 440 x 15 mm</p> <p>1</p>	<p>⑧</p>  <p>375 x 40 x 12 mm</p> <p>2</p>
<p>②</p>  <p>792 x 440 x 15 mm</p> <p>1</p>	<p>⑨</p>  <p>1180 x 440 x 15 mm</p> <p>1</p>
<p>③</p>  <p>792 x 440 x 15 mm</p> <p>1</p>	<p>⑩</p>  <p>120 x 90 x 15 mm</p> <p>2</p>
<p>④</p>  <p>583 x 440 x 15 mm</p> <p>1</p>	<p>⑪</p>  <p>381 x 25 x 25 mm</p> <p>1</p>
<p>⑤</p>  <p>583 x 440 x 15 mm</p> <p>1</p>	<p>⑫</p>  <p>202 x 110 x 15 mm</p> <p>1</p>
<p>⑥</p>  <p>1150 x 440 x 12 mm</p> <p>1</p>	<p>⑬</p>  <p>202 x 110 x 15 mm</p> <p>1</p>
<p>⑦</p>  <p>440 x 200 x 12 mm</p> <p>1</p>	<p>⑭</p>  <p>382 x 12 x 12 mm</p> <p>3</p>

Assembly Instructions

<p>15</p>  <p>361 x 110 x 12 mm</p> <p>1</p>	<p>22</p>  <p>90 x 70 x 18 mm</p> <p>5</p>
<p>16</p>  <p>207 x 170 x 15 mm</p> <p>2</p>	<p>23</p>  <p>1200 x 207 x 15 mm</p> <p>2</p>
<p>17</p>  <p>207 x 170 x 15 mm</p> <p>2</p>	<p>24</p>  <p>578 x 370 x 12 mm</p> <p>1</p>
<p>18</p>  <p>405 x 375 x 12 mm</p> <p>2</p>	<p>25</p>  <p>578 x 370 x 12 mm</p> <p>1</p>
<p>19</p>  <p>592 x 382 x 15 mm</p> <p>3</p>	<p>26</p>  <p>370 x 183 x 12 mm</p> <p>3</p>
<p>20</p>  <p>1180 x 76 x 12 mm</p> <p>2</p>	<p>27</p>  <p>350 x 117 x 12 mm</p> <p>3</p>
<p>21</p>  <p>416 x 76 x 12 mm</p> <p>2</p>	<p>28</p>  <p>350 x 117 x 12 mm</p> <p>3</p>

Assembly Instructions

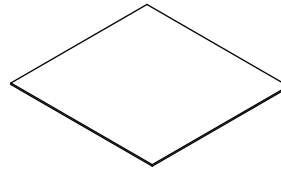
29



326 x 117 x 12 mm

3

30

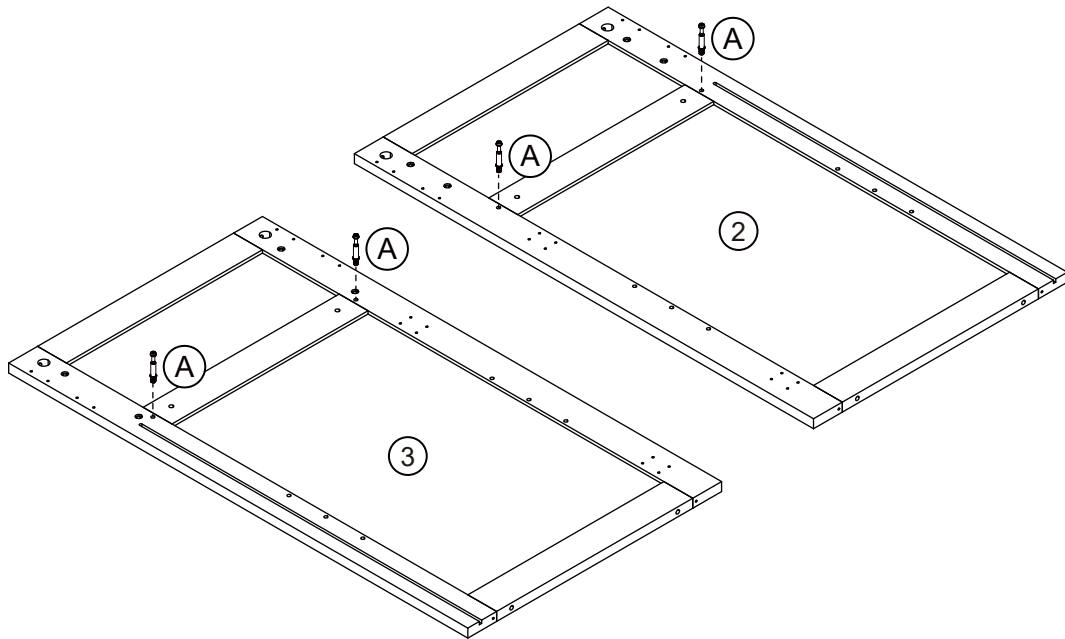


345 x 334 x 3 mm

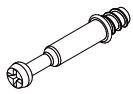
3

Assembly Instructions

Step 1

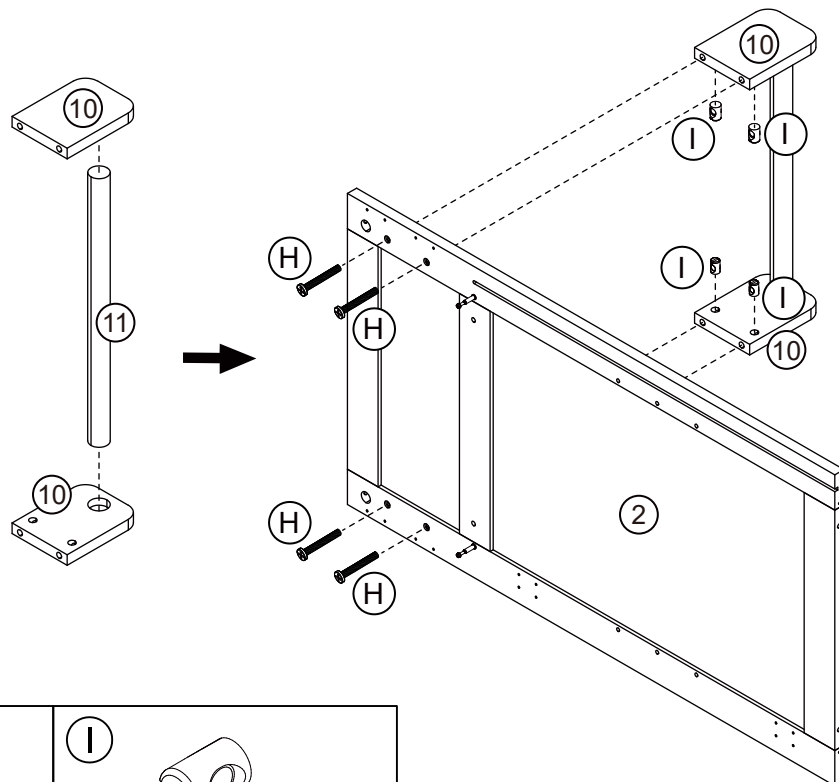


A

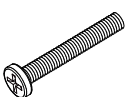


Cam Bolt x 4

Step 2



H



6*45mm Screw x 4

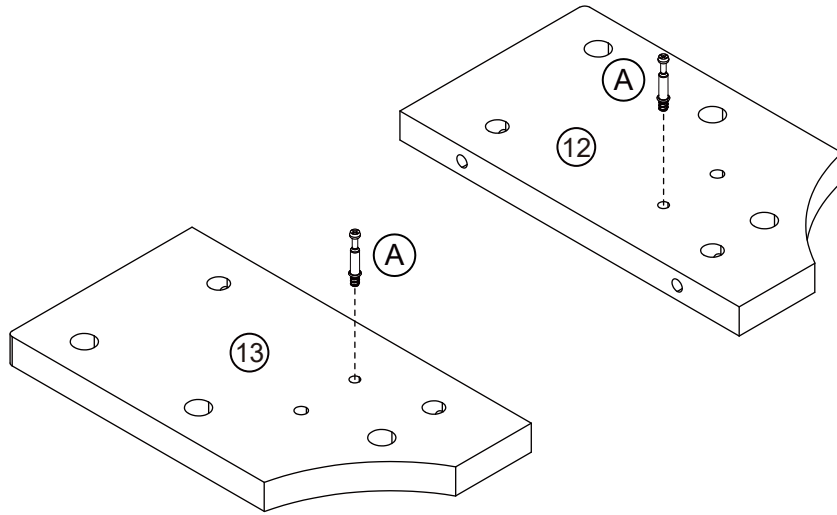
I



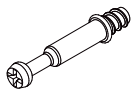
Vertical nut x 4

Assembly Instructions

Step 3

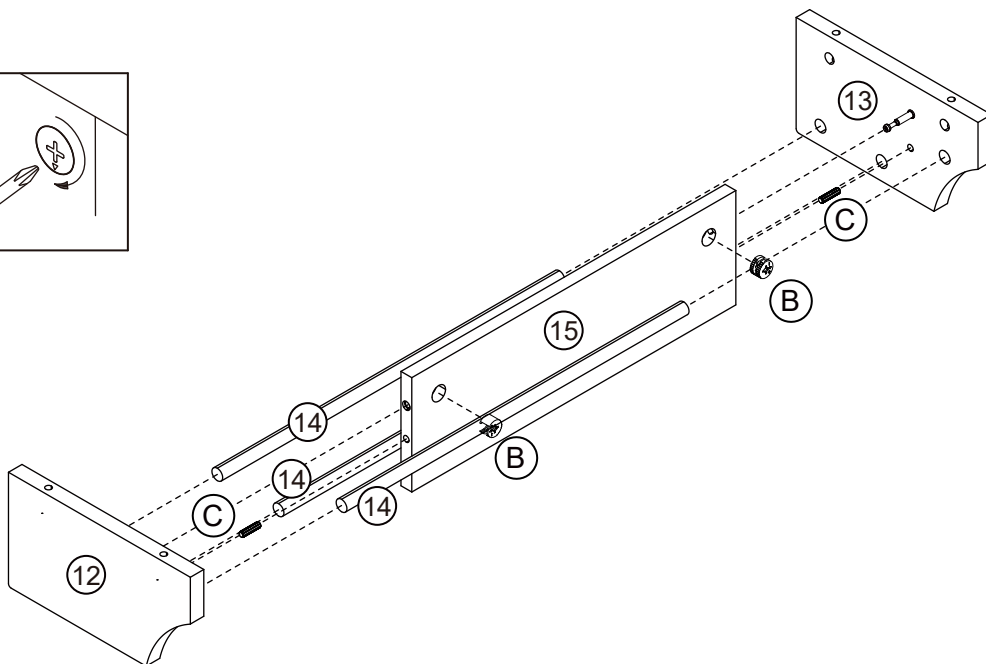
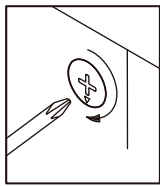
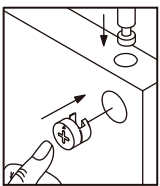


(A)



Cam Bolt x 2

Step 4



(B)



Cam lock x 2

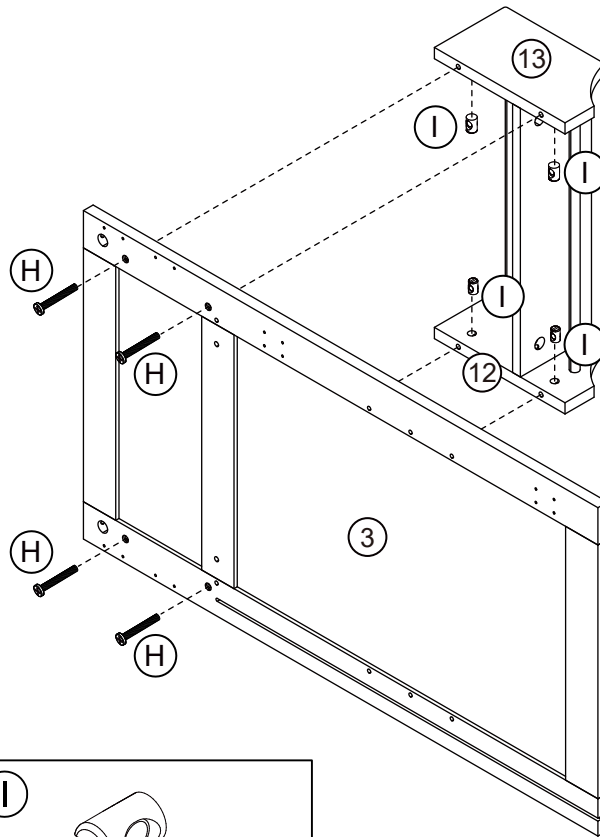
(C)



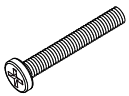
6*30mm Dowel x 2

Assembly Instructions

Step 5



(H)



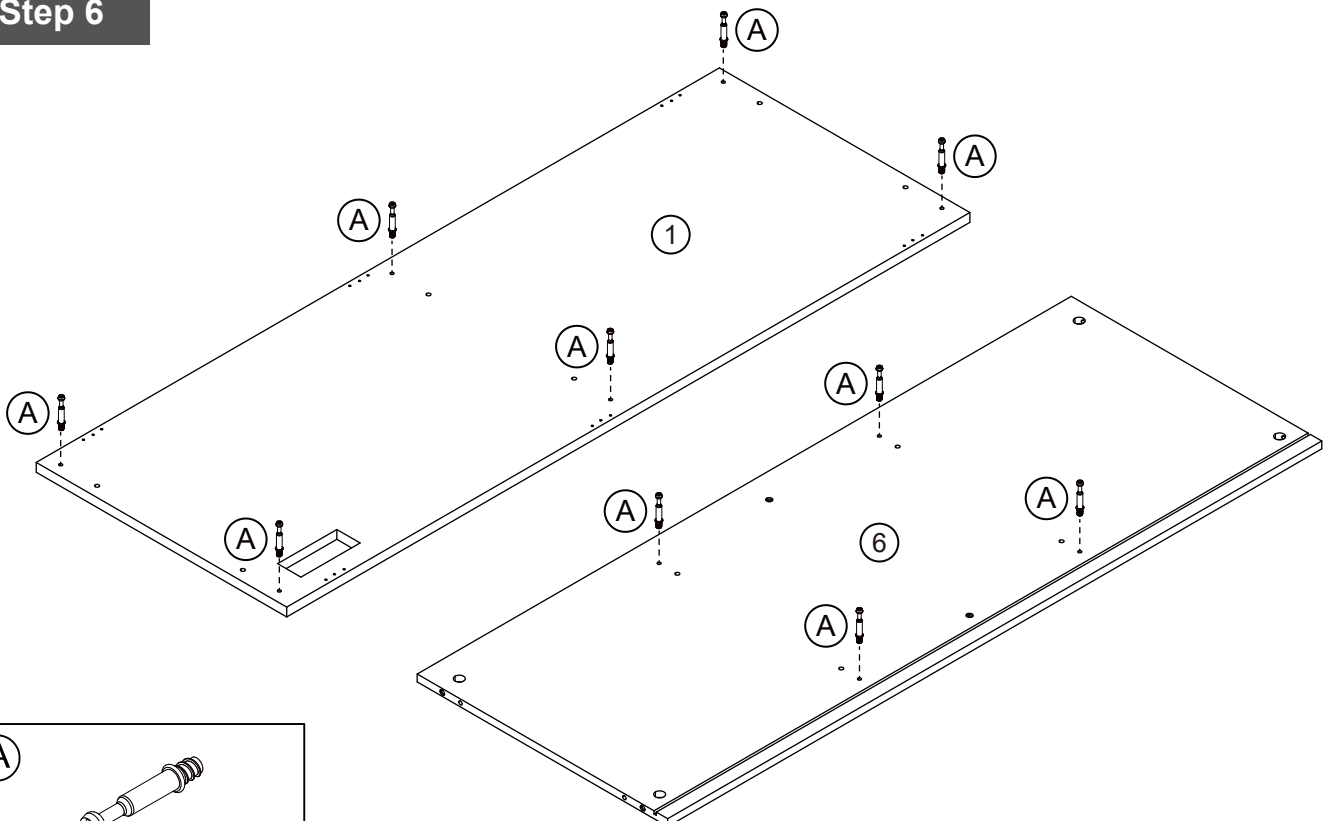
6*45mm Screw x 4

(I)

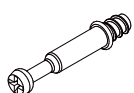


Vertical nut x 4

Step 6



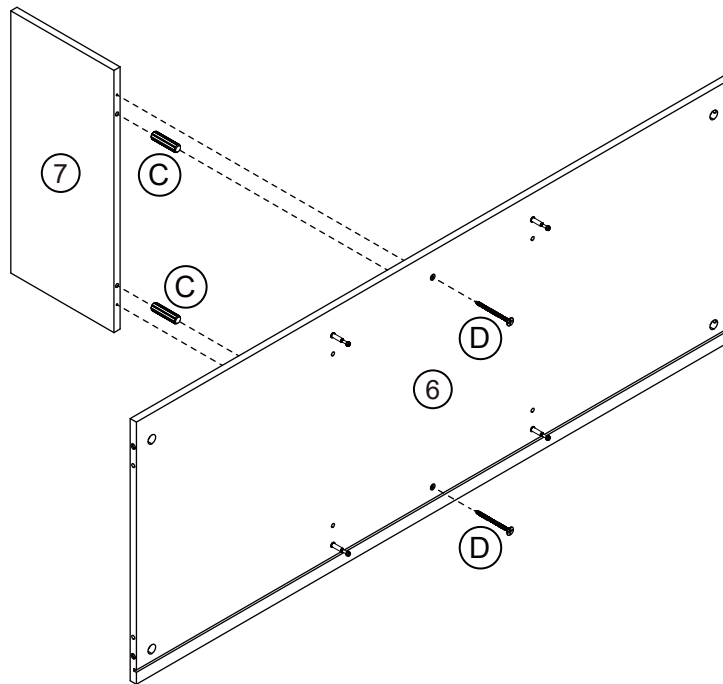
(A)



Cam Bolt x 10

Assembly Instructions

Step 7



(C)



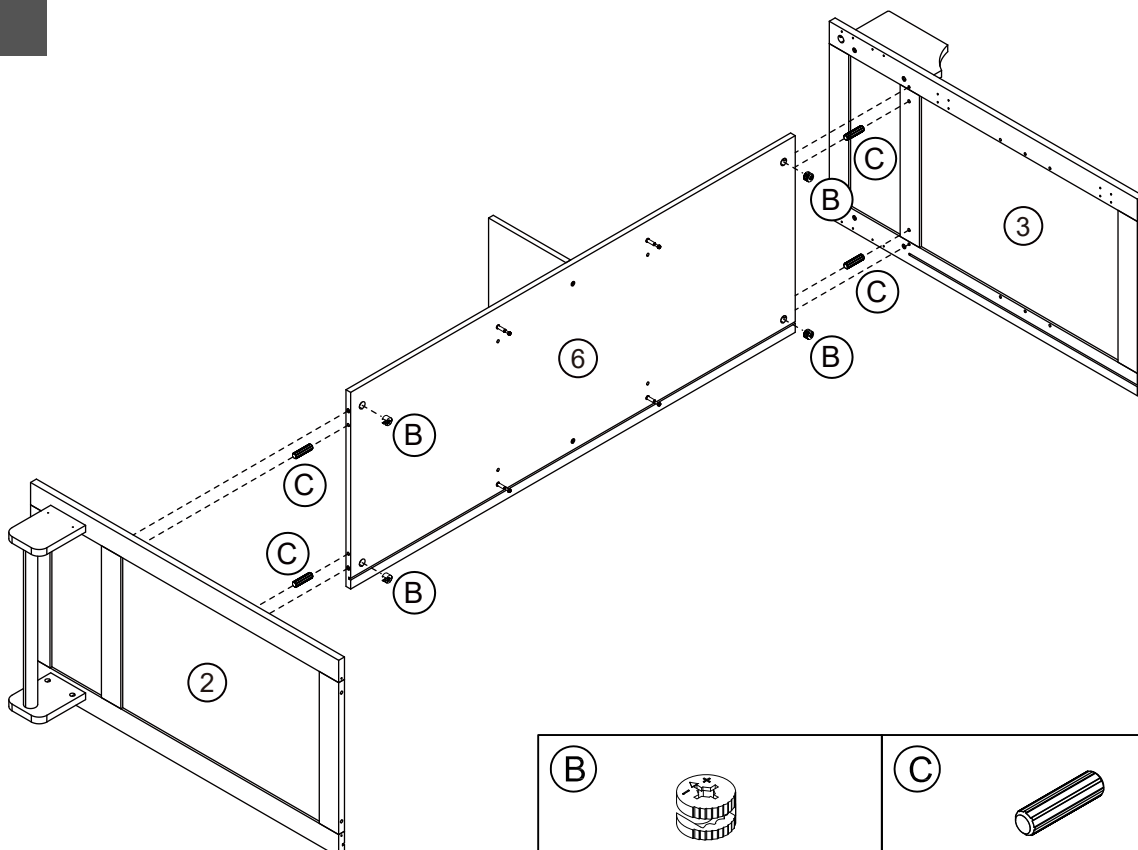
6*30mm Dowel x 2

(D)



4*35mm Screw x 2

Step 8



(B)



Cam lock x 4

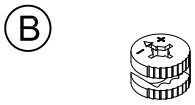
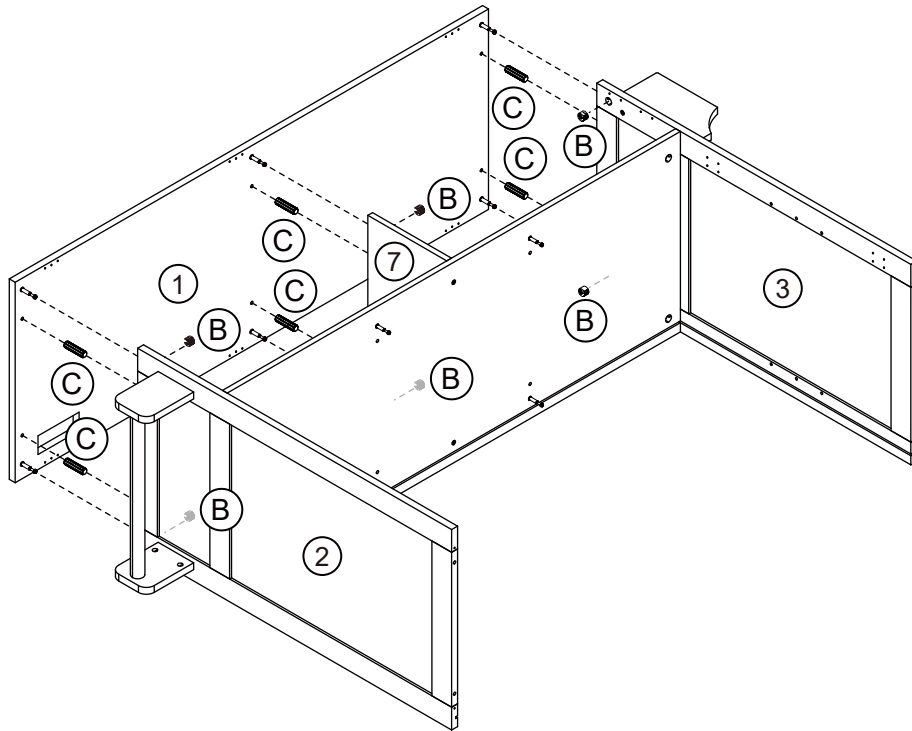
(C)



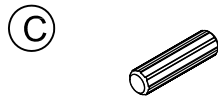
6*30mm Dowel x 4

Assembly Instructions

Step 9

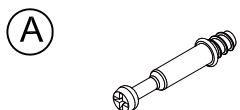
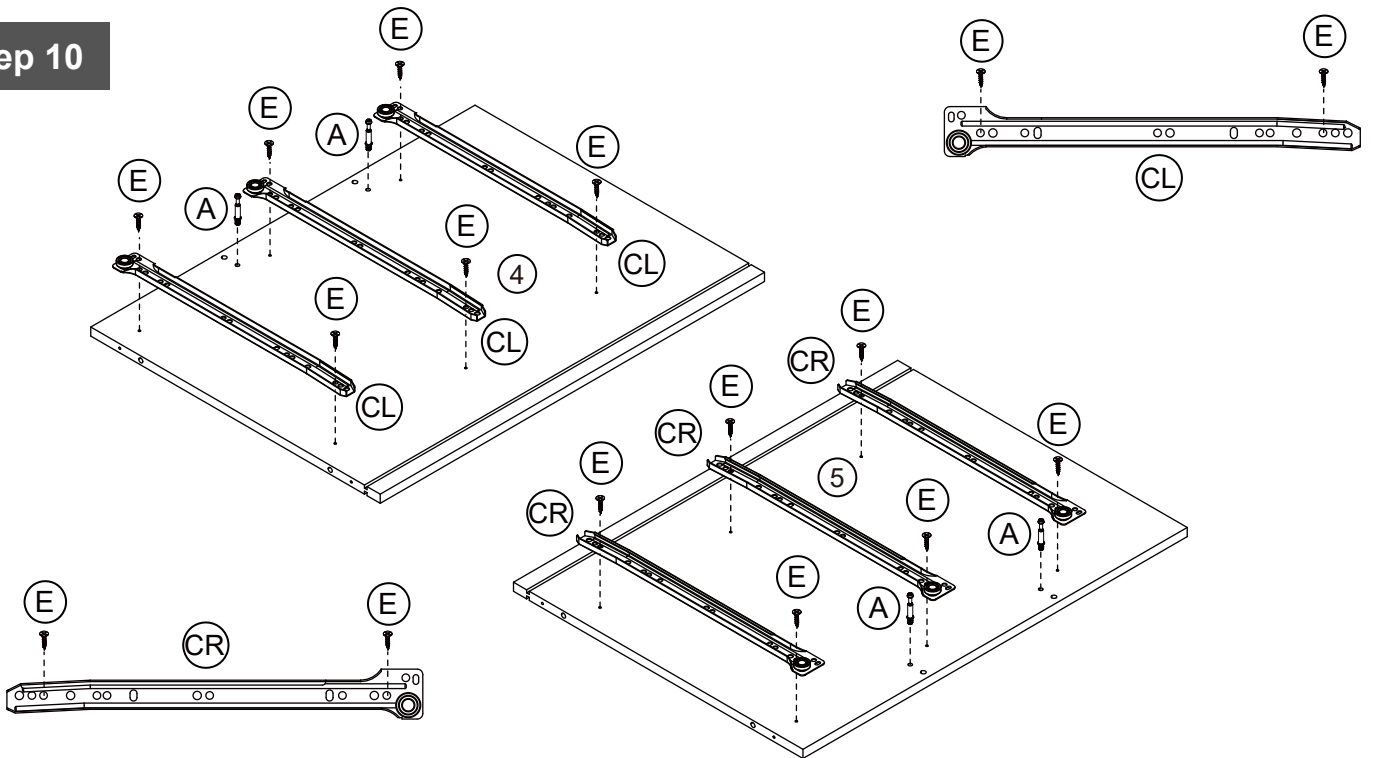


Cam lock x 6

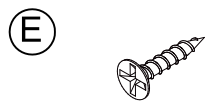


6*30mm Dowel x 6

Step 10



Cam Bolt x 4



3.5*12mm Screw x 12



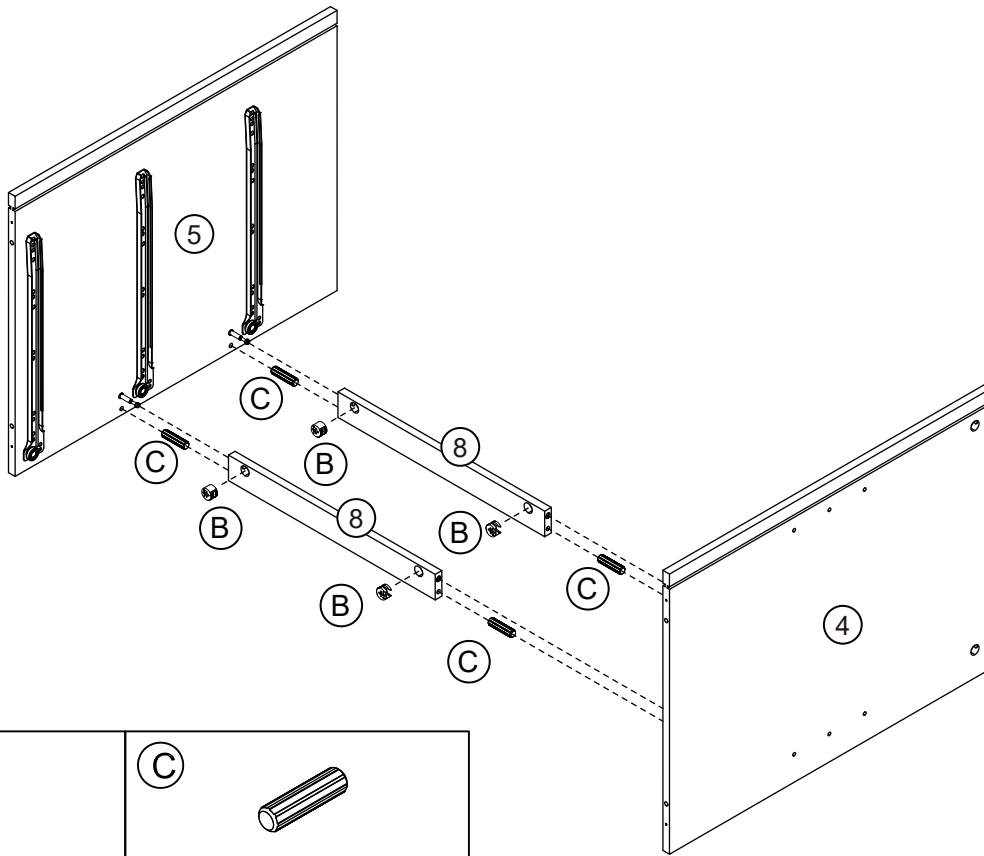
Runner 350mm x 3



Runner 350mm x 3

Assembly Instructions

Step 11



(B)



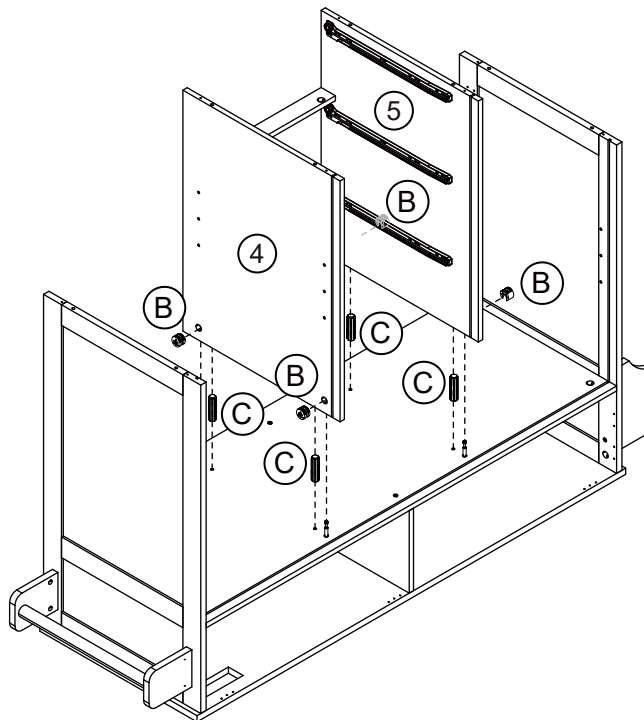
Cam lock x 4

(C)



6*30mm Dowel x 4

Step 12



(B)



Cam lock x 4

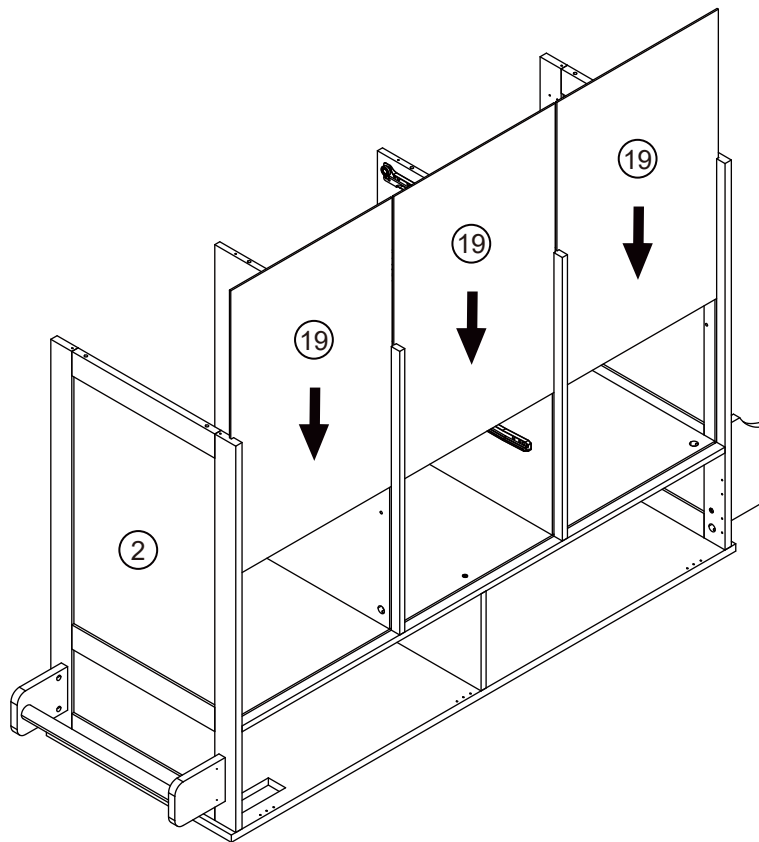
(C)



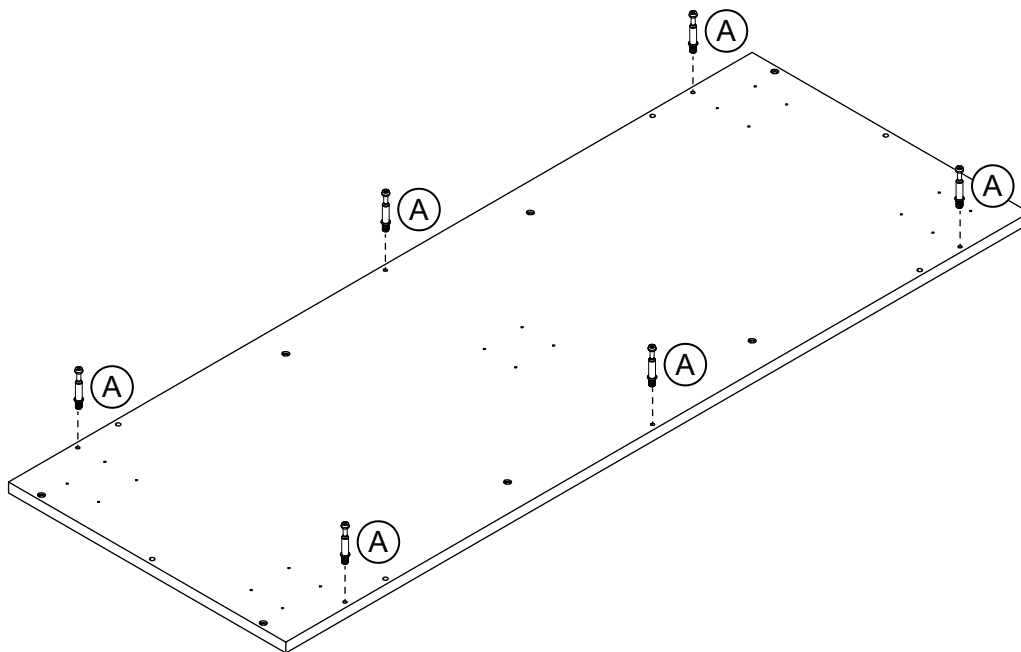
6*30mm Dowel x 4

Assembly Instructions

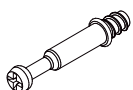
Step 13



Step 14



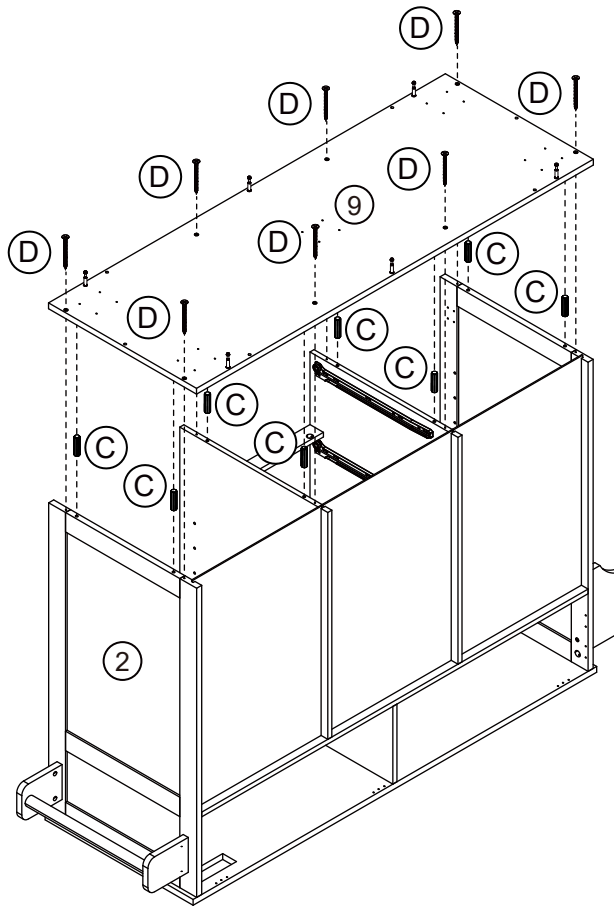
A



Cam Bolt x 6

Assembly Instructions

Step 15



C



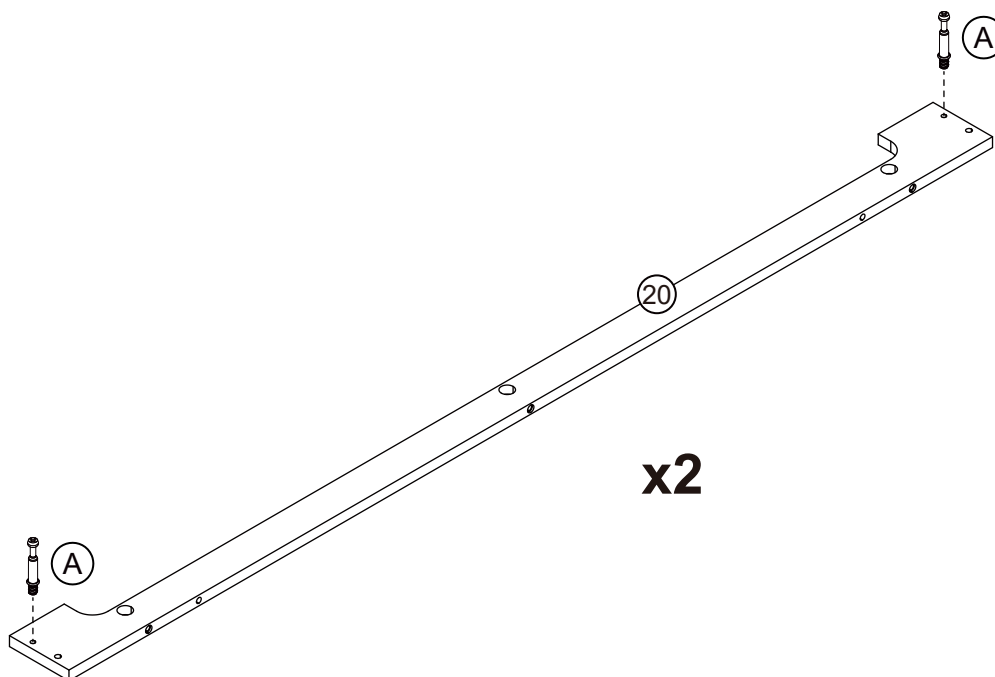
6*30mm Dowel x 8

D

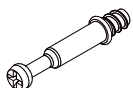


4*35mm Screw x 8

Step 16



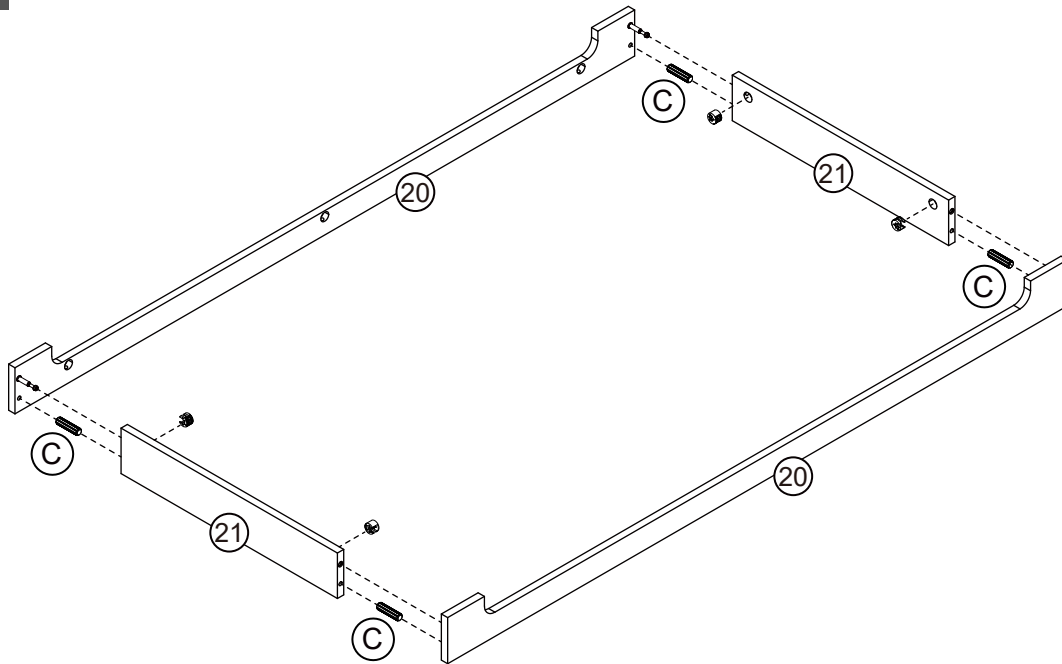
A



Cam Bolt x 4

Assembly Instructions

Step 17



(B)



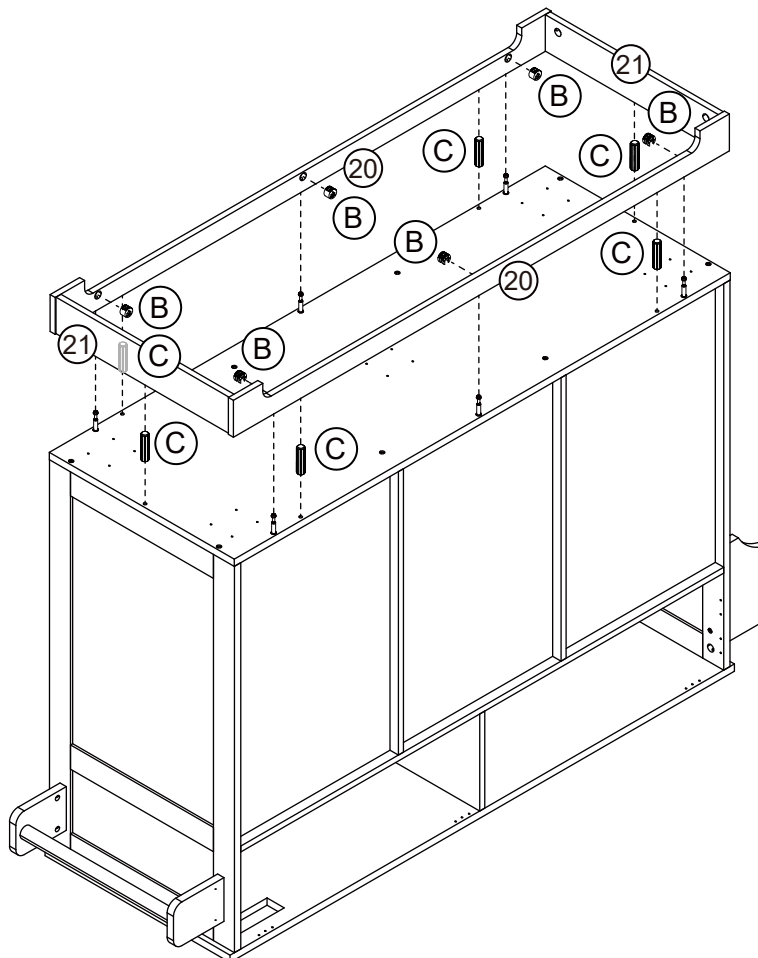
Cam lock x 4

(C)



6*30mm Dowel x 4

Step 18



(B)



Cam lock x 6

(C)

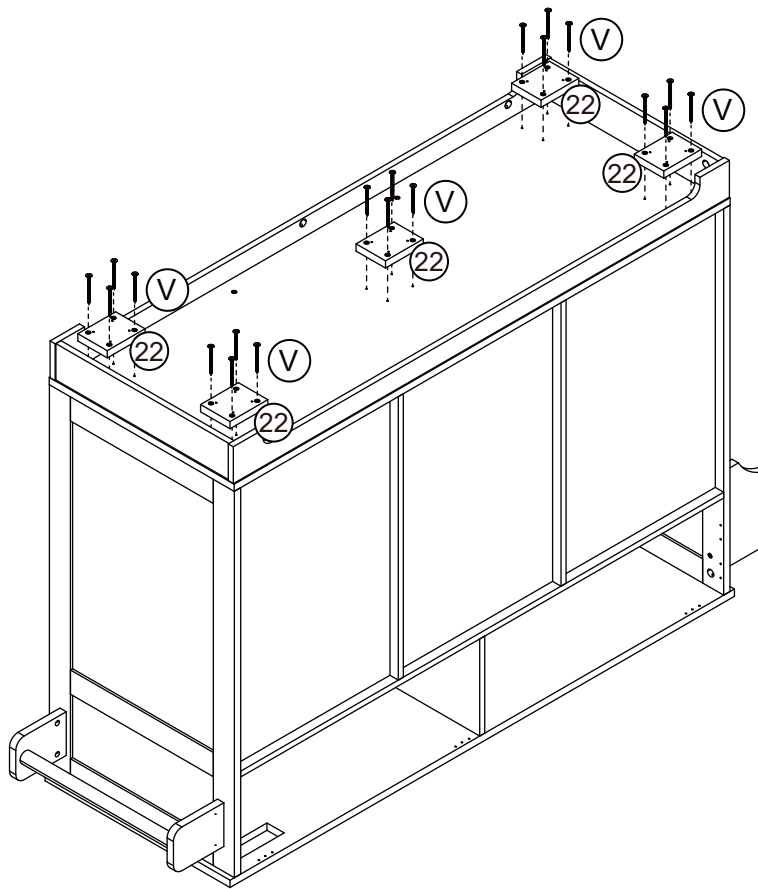


6*30mm Dowel x 6

Assembly Instructions

Step 19

If you do not want to move this kitchen island cart, you may not install this step.

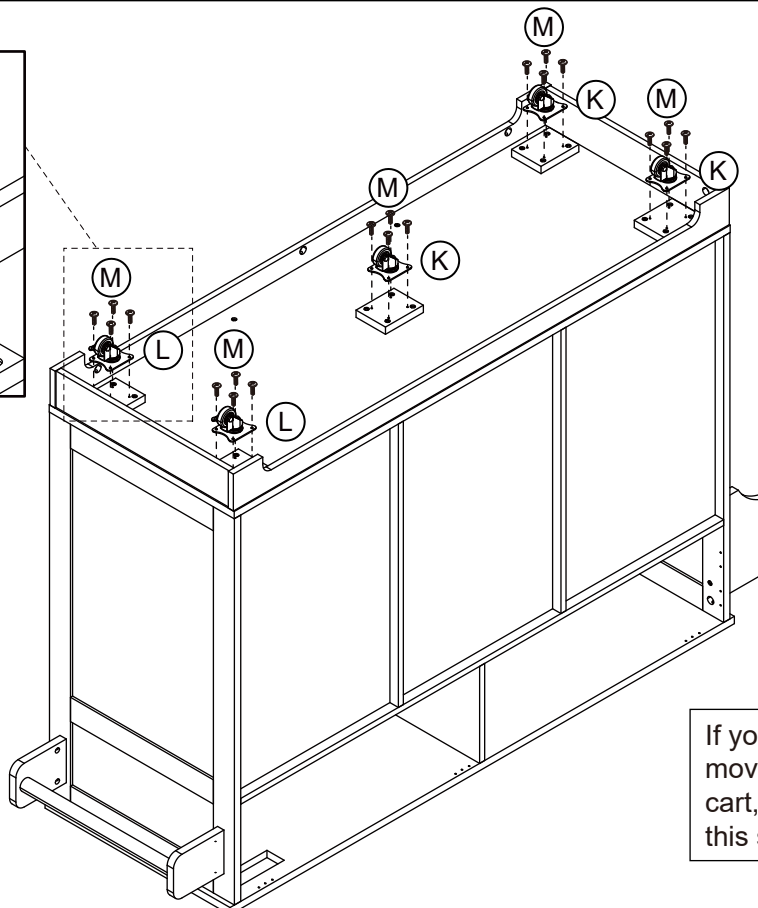
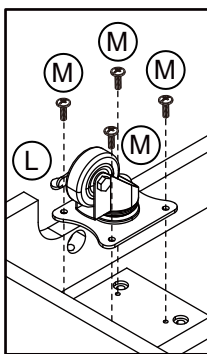


V



4*25mm Screw x 20

Step 20

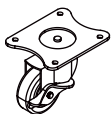


M



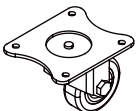
6*14mm Screw x 20

L



Locking caster x 2

K

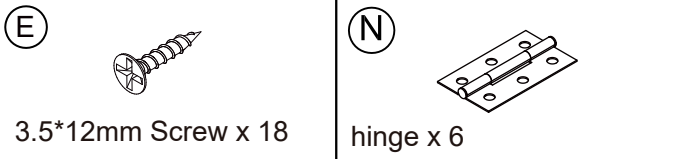
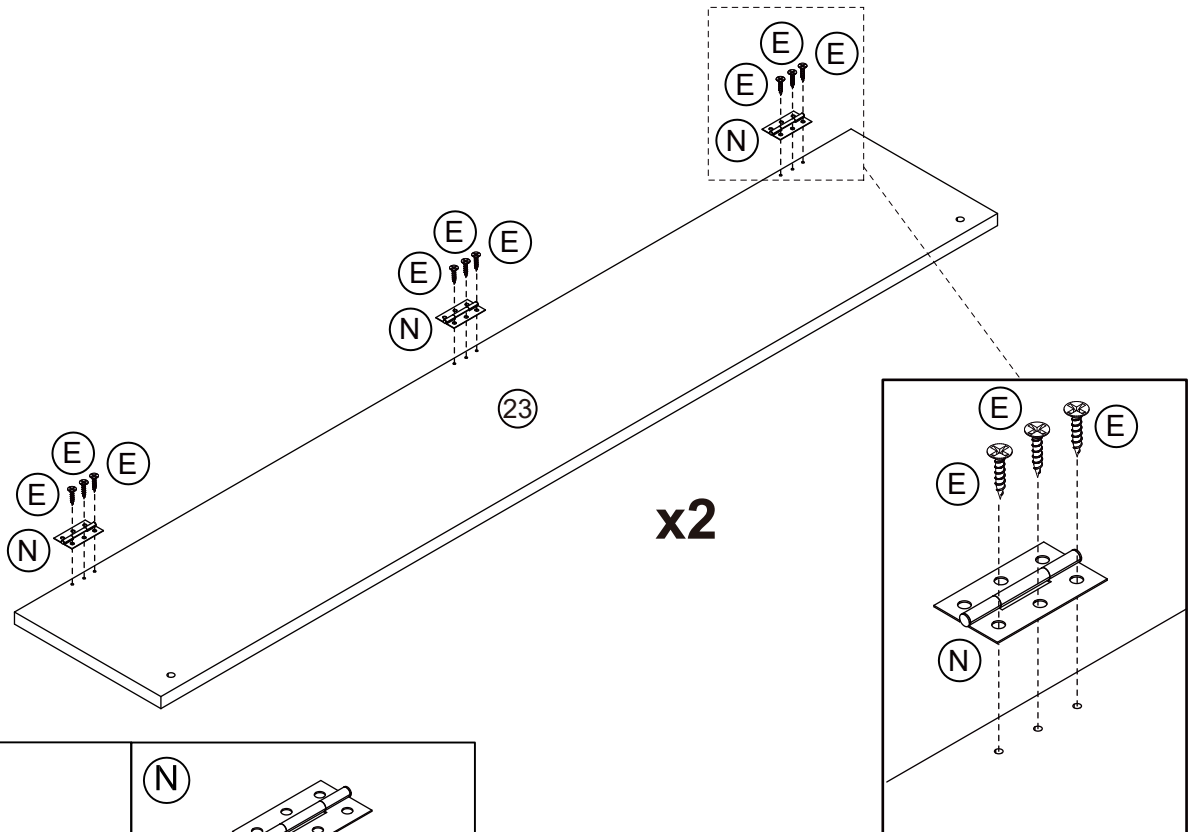


Caster x 3

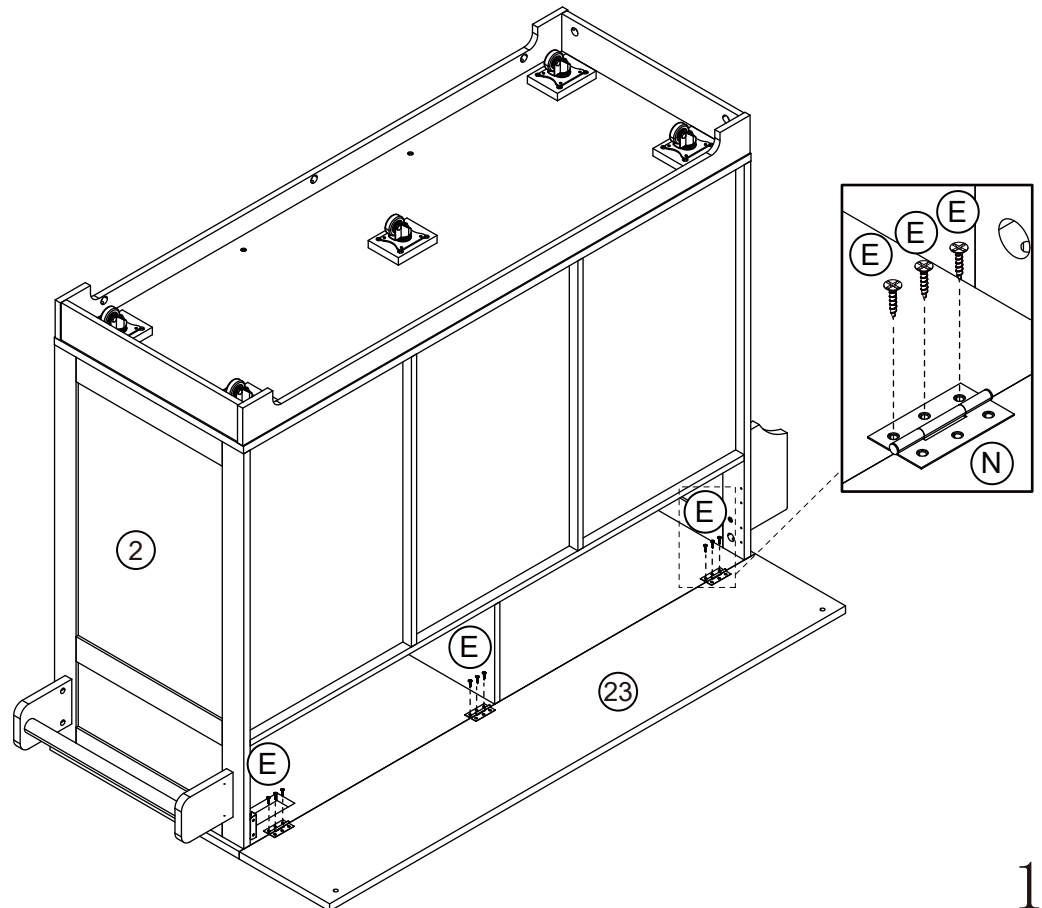
If you do not want to move this kitchen island cart, you may not install this step.

Assembly Instructions

Step 21

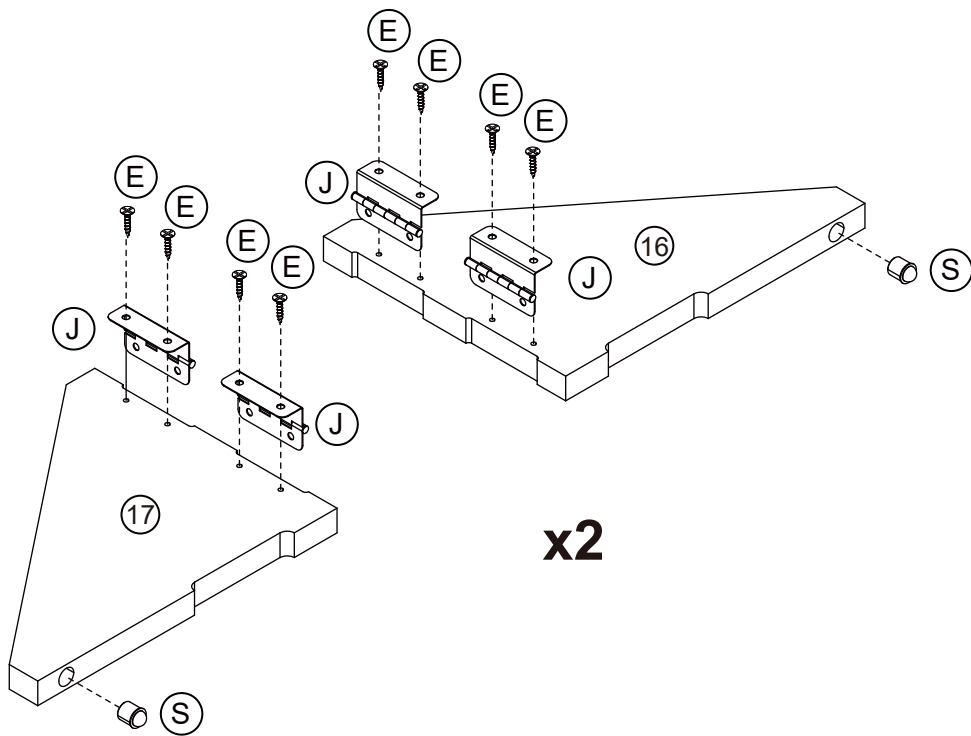


Step 22



Assembly Instructions

Step 23

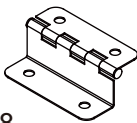


(E)



3.5*12mm Screw x 16

(J)



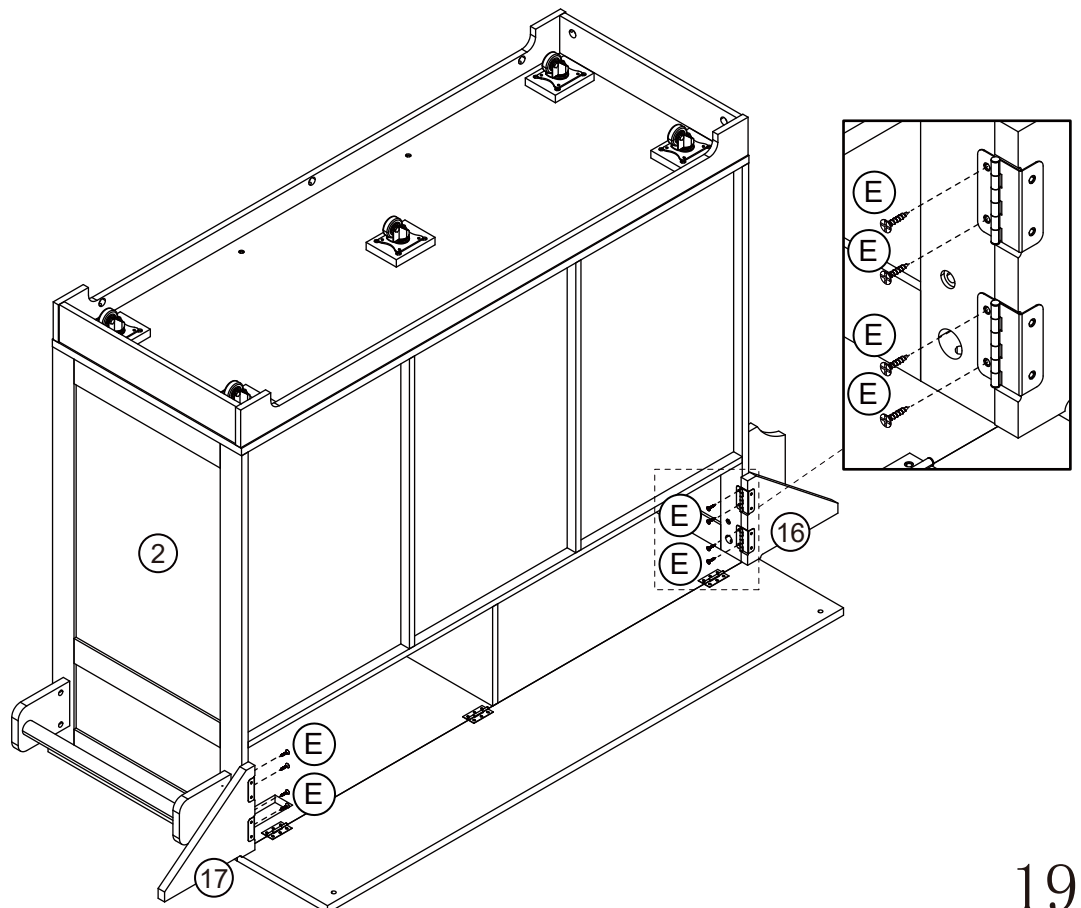
hinge x 8

(S)



Pressure ball x 4

Step 24



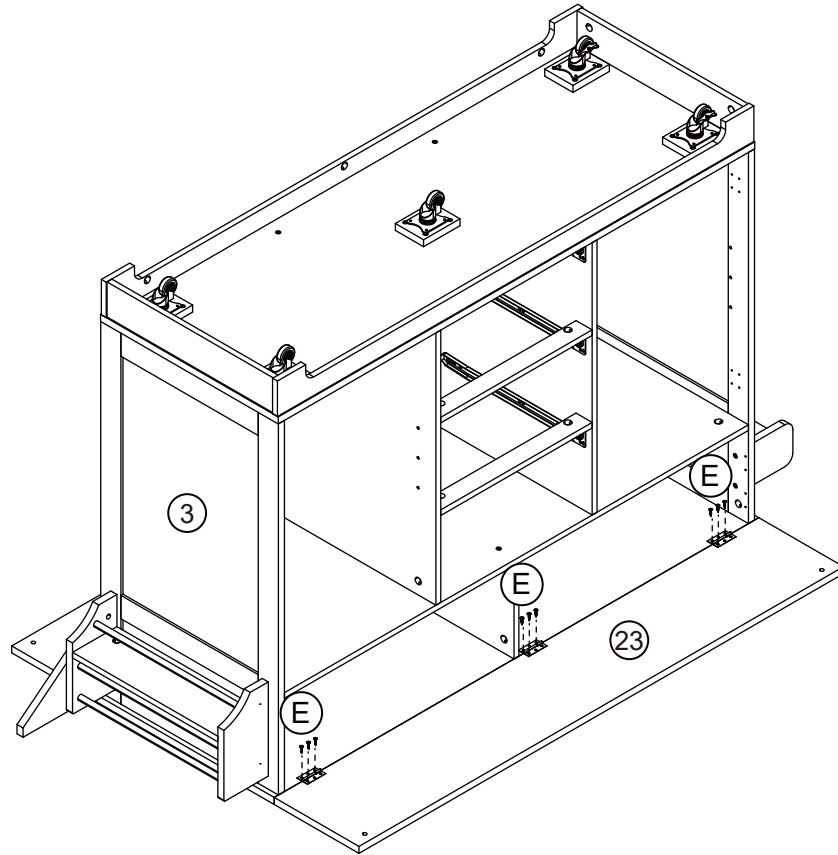
(E)



3.5*12mm Screw x 8

Assembly Instructions

Step 25

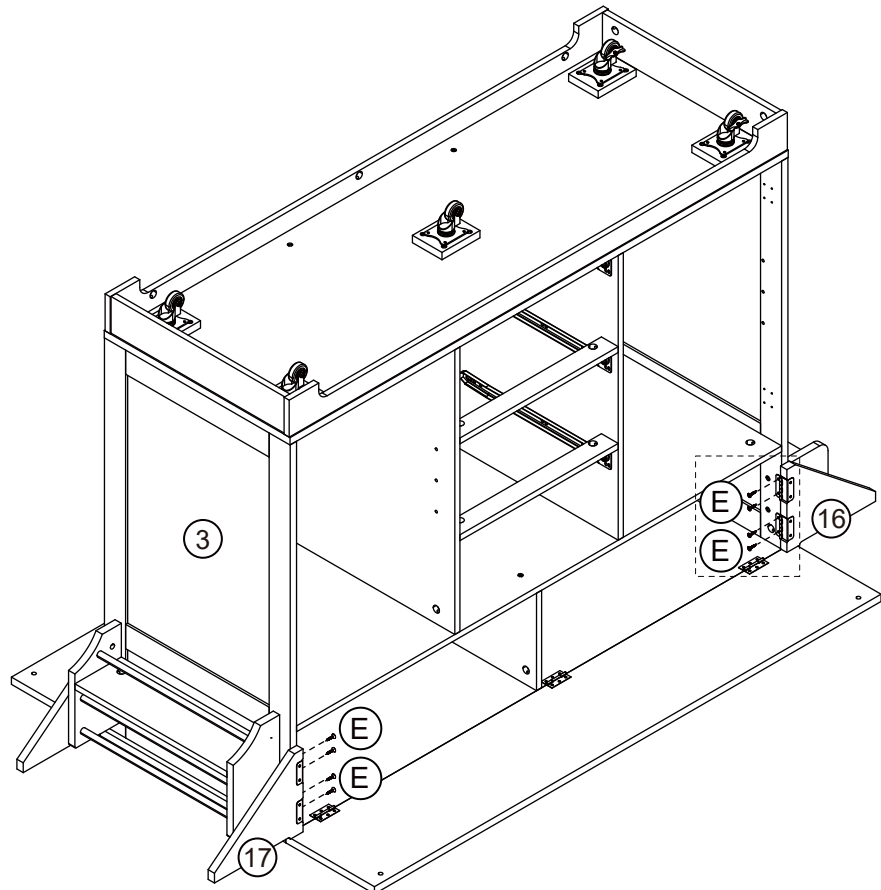


E



3.5*12mm Screw x 9

Step 26



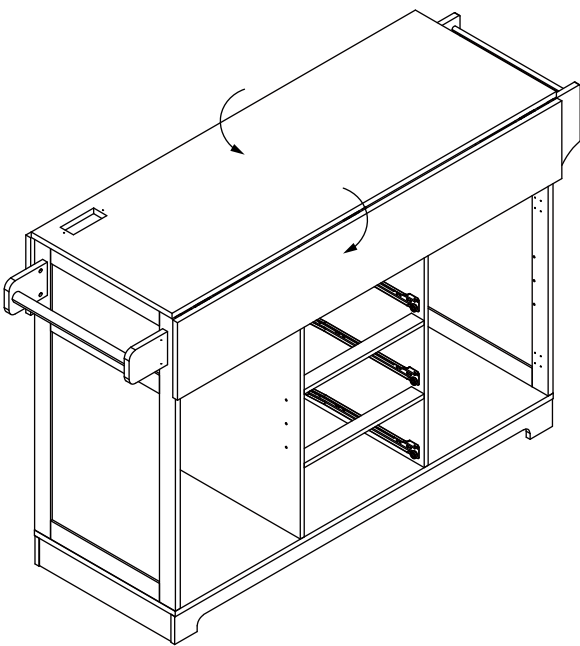
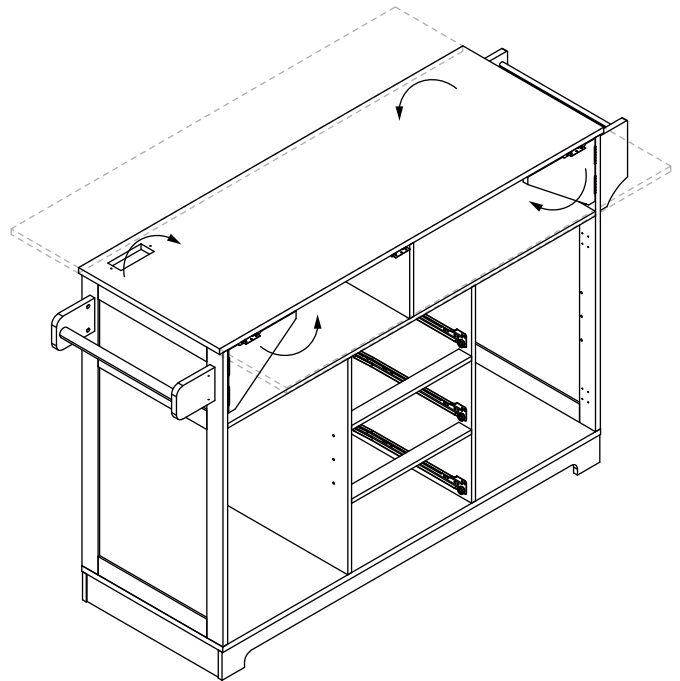
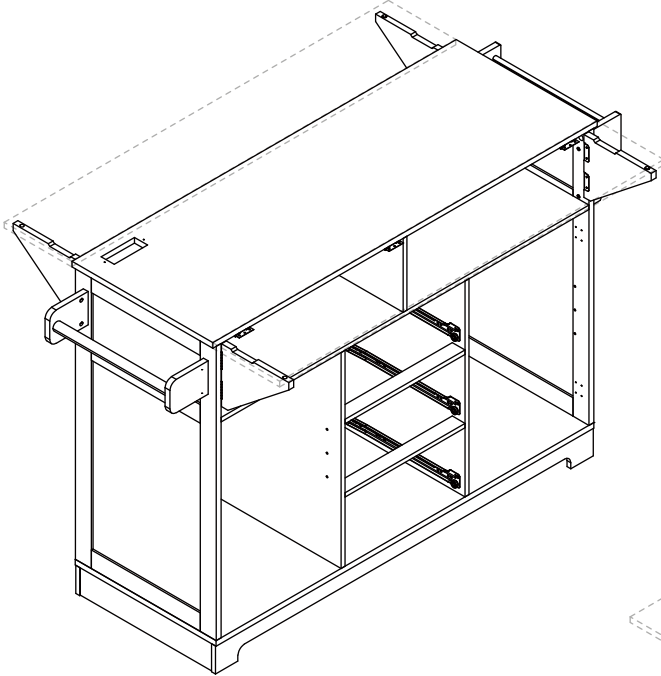
E



3.5*12mm Screw x 8

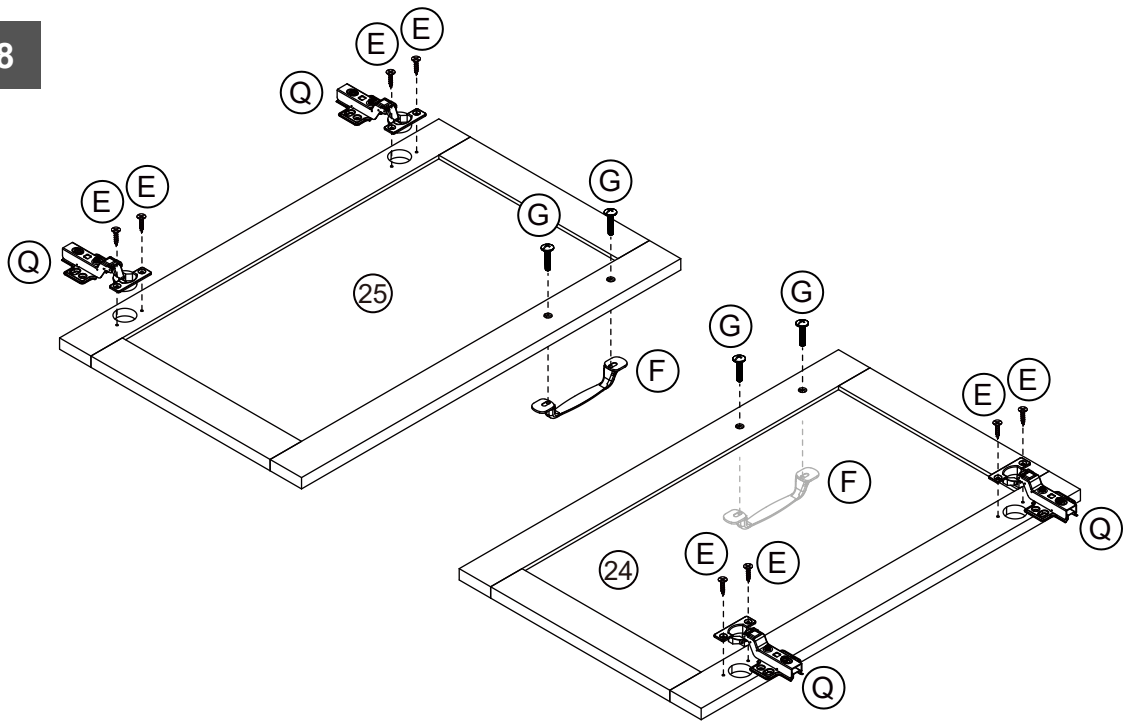
Assembly Instructions

Step 27



Assembly Instructions

Step 28

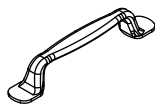


(E)



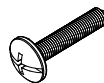
3.5*12mm Screw x 8

(F)



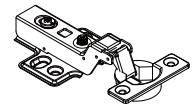
Hold hands x 2

(G)



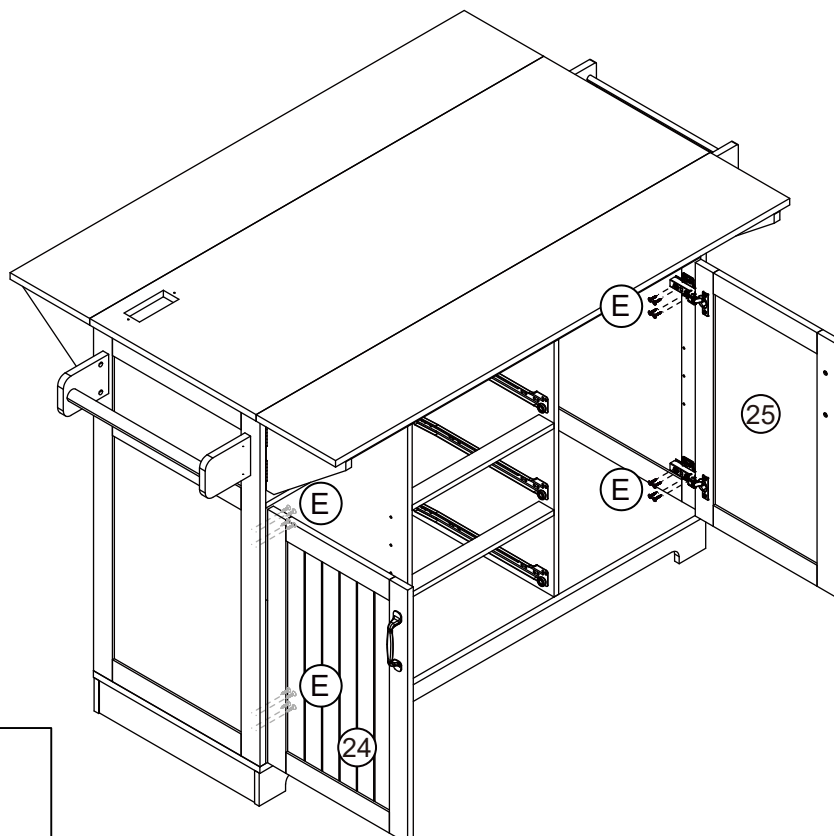
4*16mm Screw x 4

(Q)



26mm x 4

Step 29



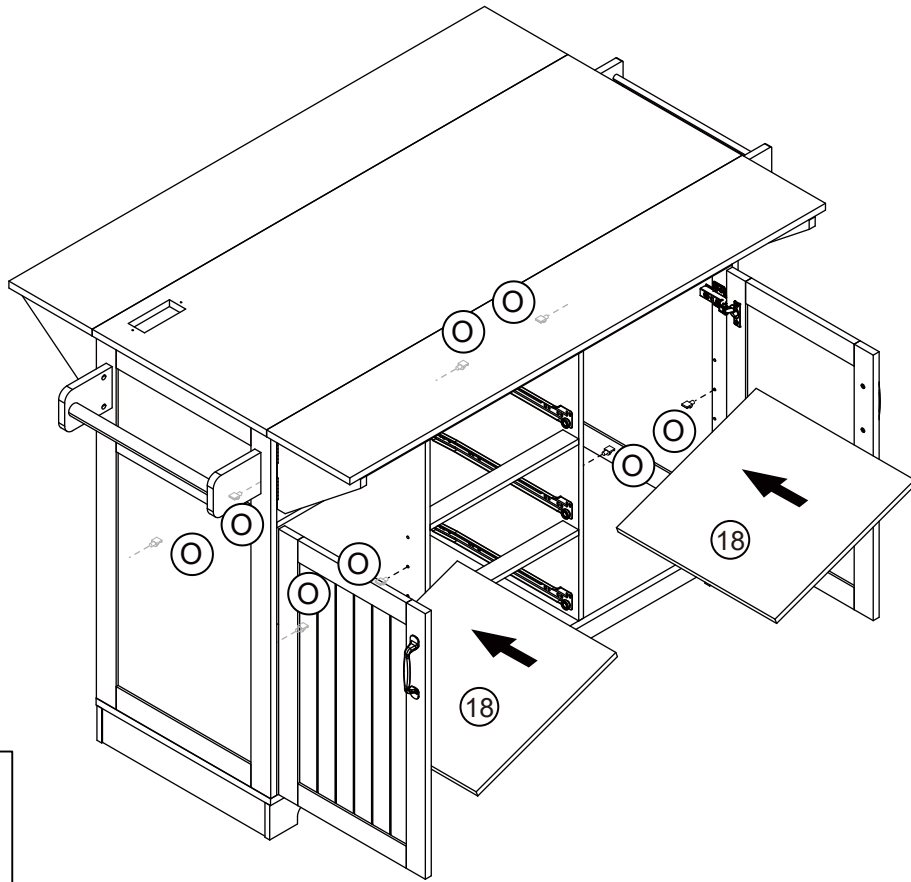
(E)



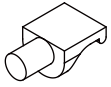
3.5*12mm Screw x 16

Assembly Instructions

Step 30

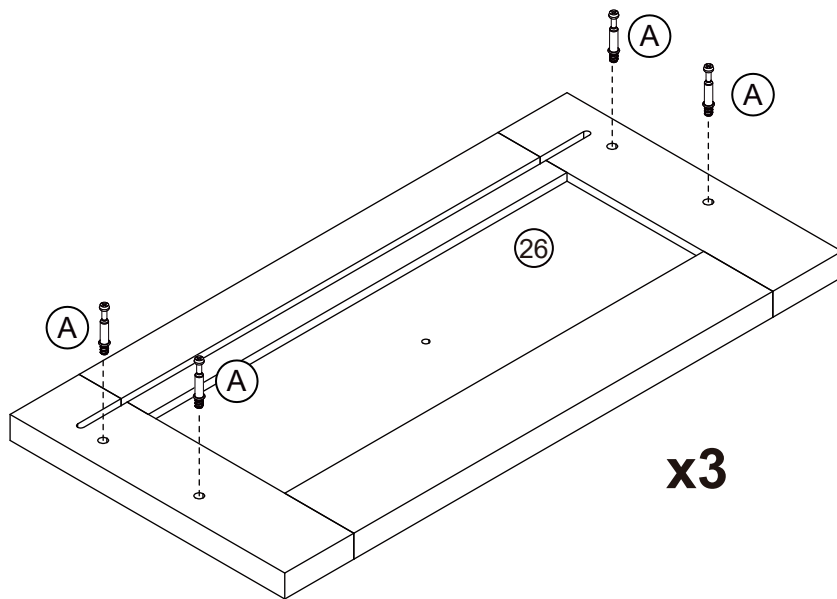


O

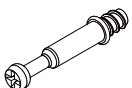


Pivot x 8

Step 31



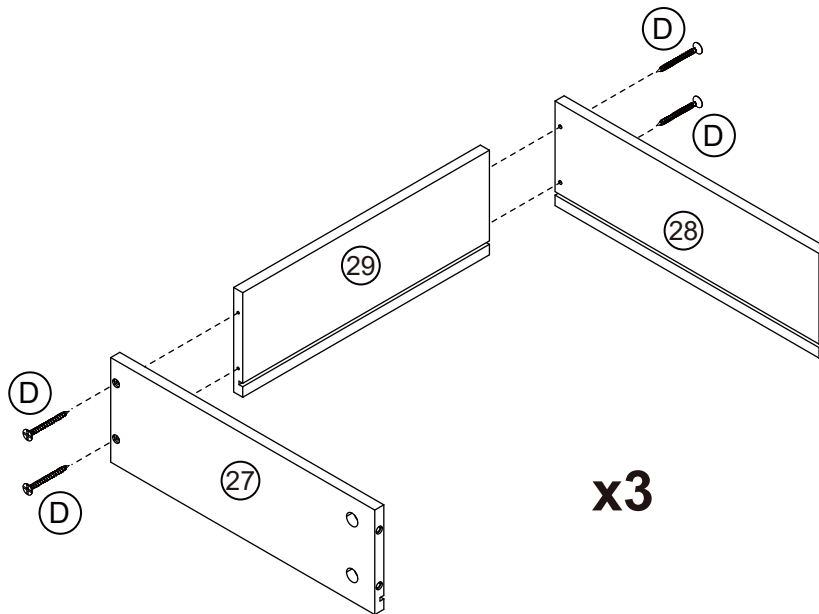
A



Cam Bolt x 12

Assembly Instructions

Step 32

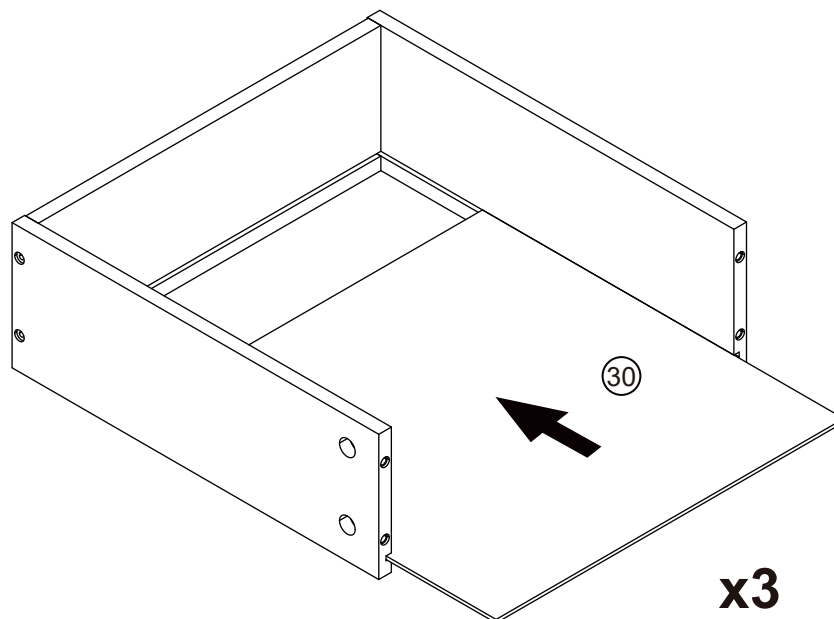


(D)



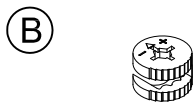
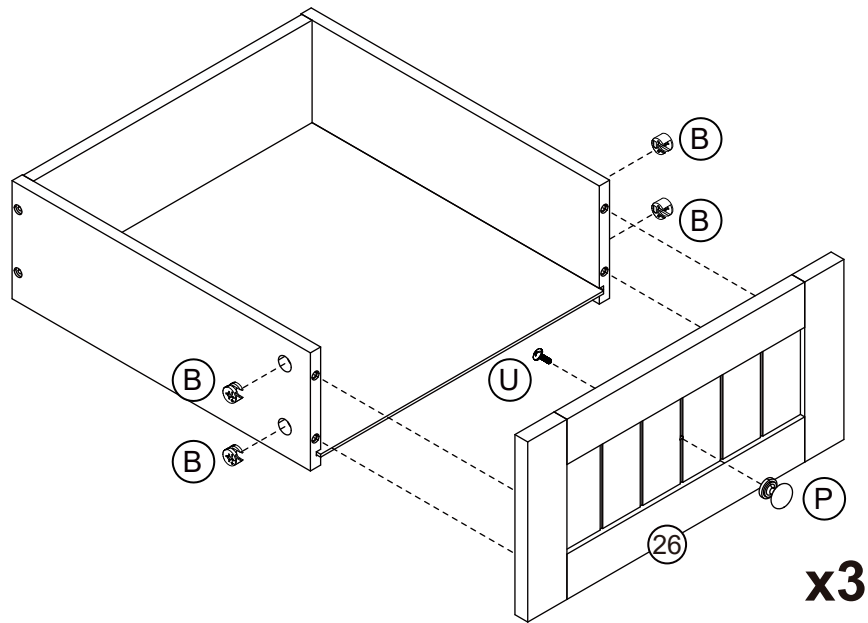
4*35mm Screw x 12

Step 33



Assembly Instructions

Step 34



Cam lock x 12

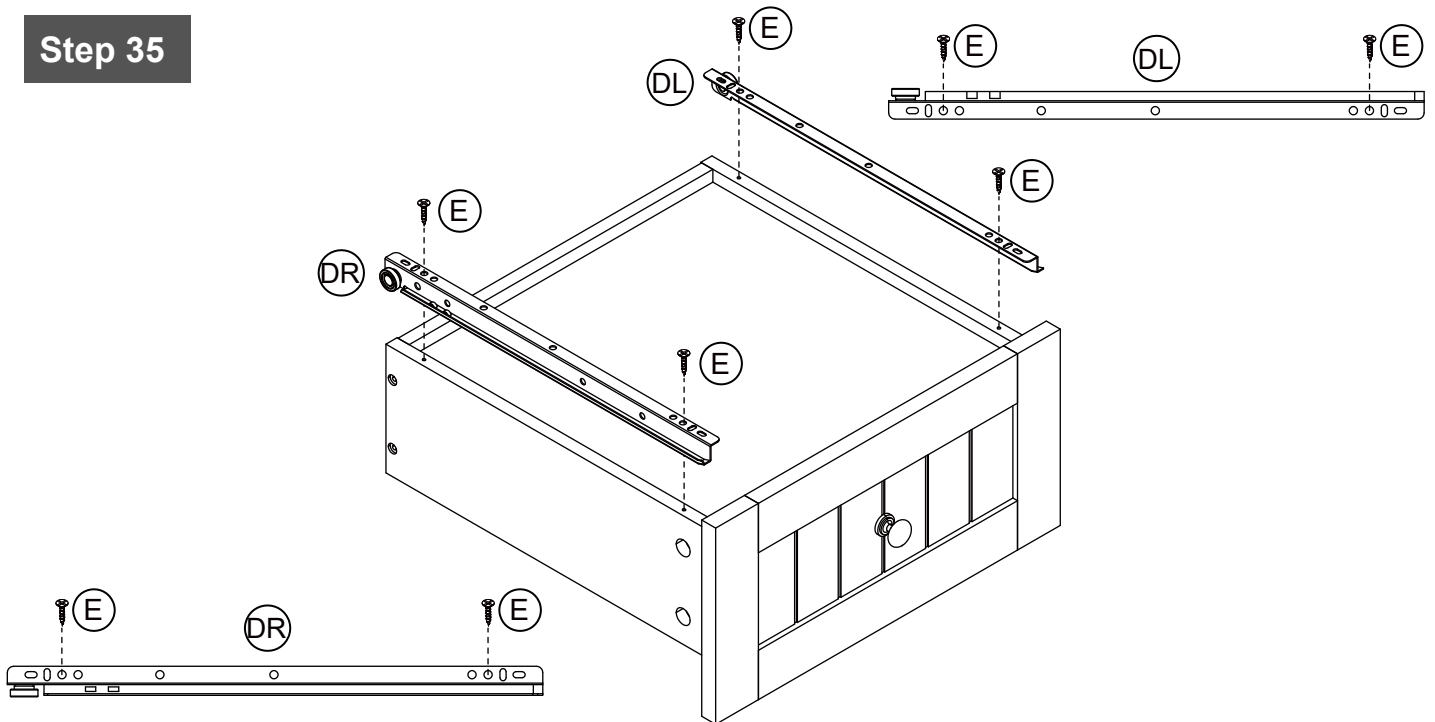


Hold hands x 3

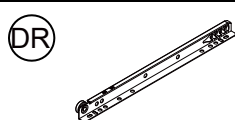


4*10mm Screw x 3

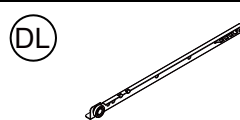
Step 35



3.5*12mm Screw x 12



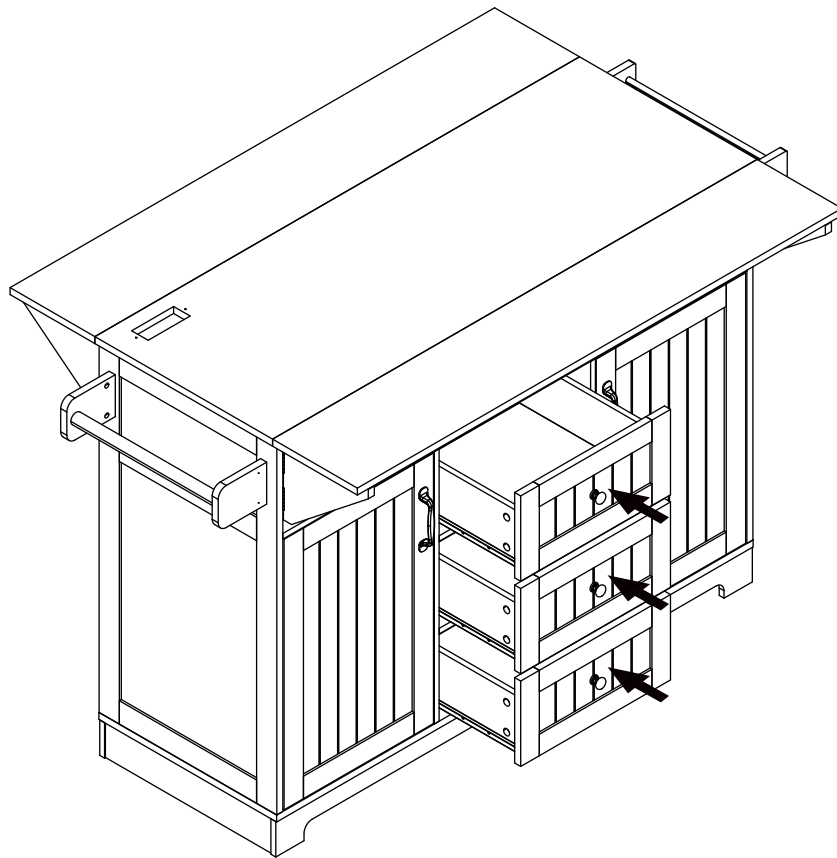
Runner 350mm x 3



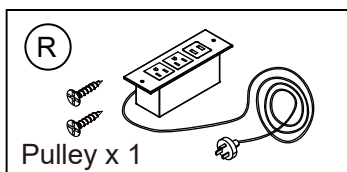
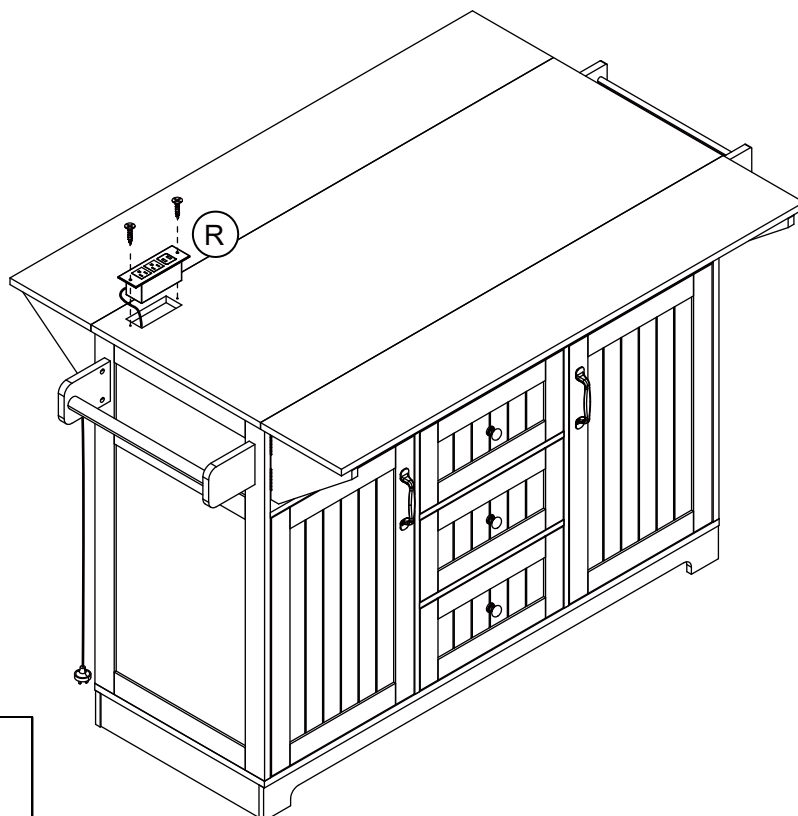
Runner 350mm x 3

Assembly Instructions

Step 36

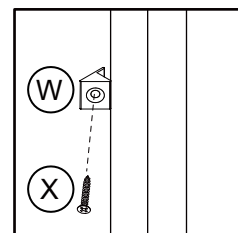
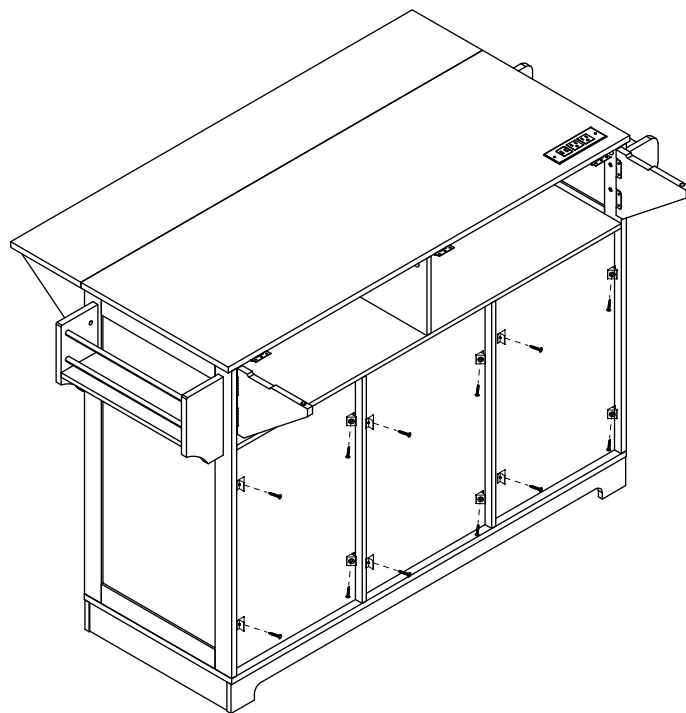


Step 37



Assembly Instructions

Step 38

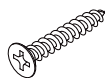


(W)



Back plate buckle x 12

(X)



3*14mm Screw x 12

Step 39

