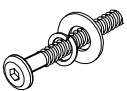


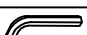
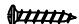
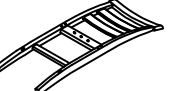
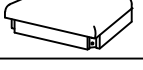
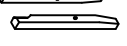




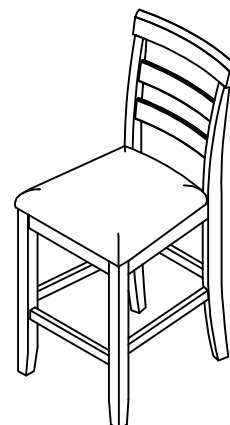
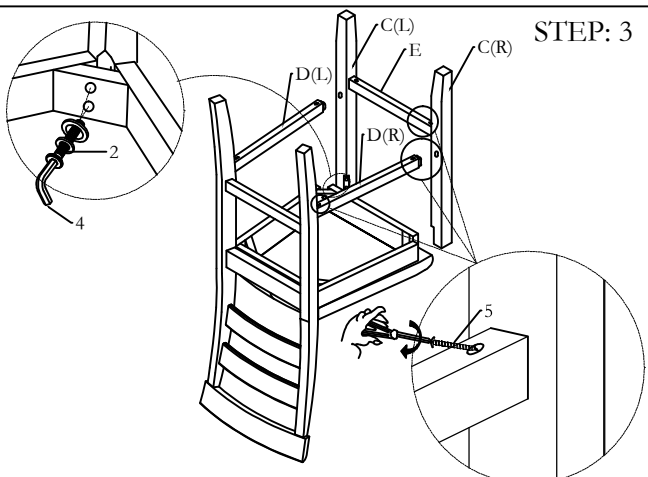
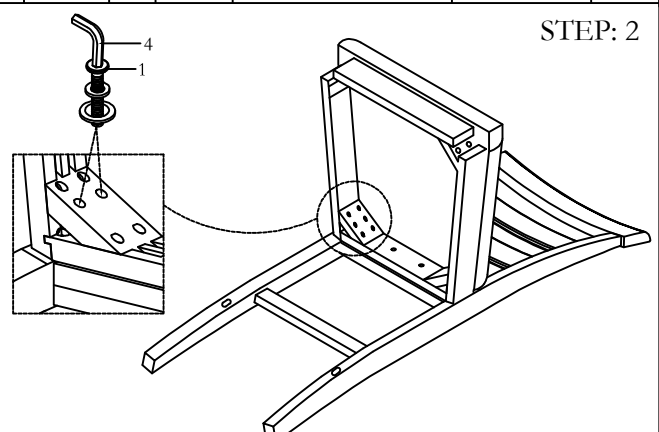
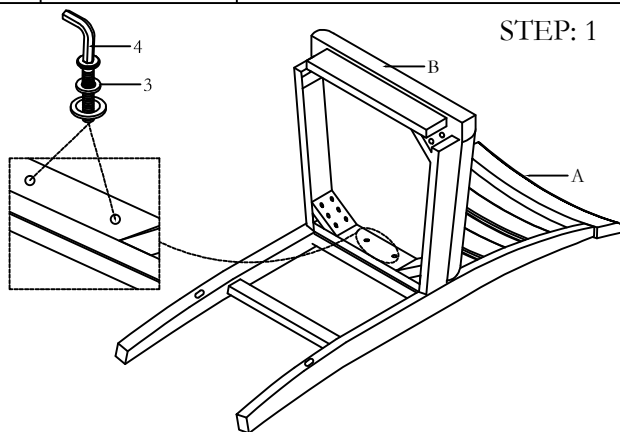
ASSEMBLY INSTRUCTIONS COUNTER HEIGHT CHAIR

Caution:Please read instructions thoroughly before unpacking assembly parts. Sharp,exposed staple tips can cause injury,therefore,for your protection,please remove any exposed staples used in packing. Please keep all hardware parts out of the reach of children.

- 1.We recommend that you should assemble this product with the assistance of another person; this will make assembly easier, and will help to elimilate damage to the product of injury to persons during assembly.
- 2.Be sure to check all packing materials carefully for small parts that may have come loose inside the carton during shipment.
- 3.Please do not over tighten screws of bolts.
- 4.Please put all parts on a non-abrasive floor before assembly, and follow the assembly steps to assemble your newly purchased product correctly and efficiently.

NO.	Hardware List		
1		Ø5/16"x 80 Allen bolt	4
		Ø5/16"xØ13mmx1.2mmT Spring washer	4
		Ø5/16"x19x1.8mmT Flat washer	4
2		Ø5/16"x 57 Allen bolt	4
		Ø5/16"xØ13mmx1.2mmT Spring washer	4
		Ø5/16"x19x1.8mmT Flat washer	4
3		Ø5/16"x 40 Allen bolt	2
		Ø5/16"xØ13mmx1.2mmT Spring washer	2
		Ø5/16"x19x1.8mmT Flat washer	2
4		Allen Key (4mm)	1
5		8x45 Screw	6

NO.	PARTS LIST		
A		Chair Back	1
B		CuShion Seat	1
C		L/R Front Leg	2
D		L/R Stretcher	2
E		Font Stretcher	1



COMPLETE