

## NOTICE

- \*Please make sure that you have all parts indicated and they are in good condition before you begin assembly of this item. Refer to part list and hardware list below for guidance.
- \*This item should be assembled on a soft surface to prevent scratching the finish during assembly.
- \*This item may require periodic tightening.
- \*If you are having difficulty, our friendly Customer Care team is always here to help.

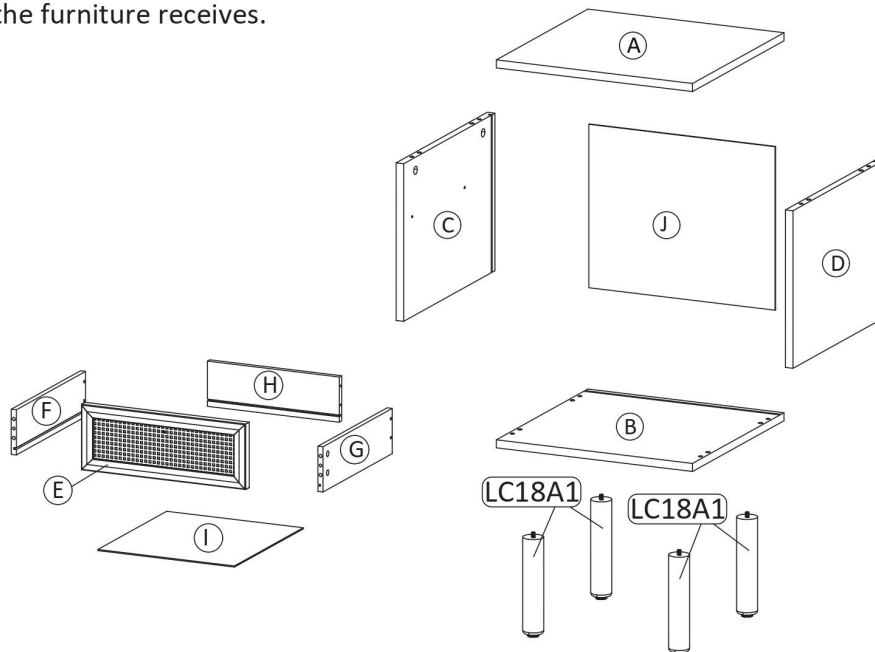
## PREPARATION

- \*Before beginning assembly of product, make sure all parts are present. Compare parts with part contents list and hardware contents list.
- \*If any part is missing or damaged, do not attempt to assemble the product.
- \*Estimated Assembly Time: 45 minutes.
- \*Tools Required for Assembly (included): Allen Key

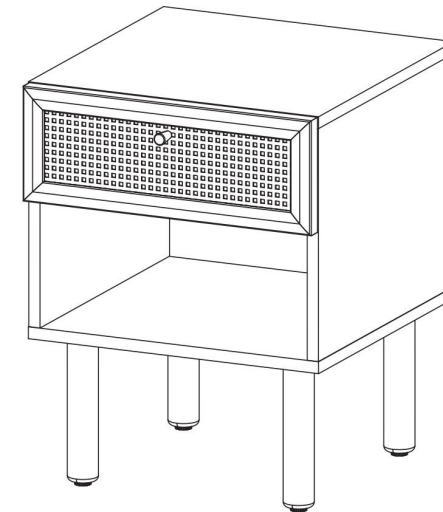
## CARE AND MAINTENANCE

Always use felt pads under all articles to prevent discoloration or softening of the lacquer. Plastic and rubber bases on items can discolor wood. Wipe up spills immediately and avoid common hazards such as hot dishes, harsh solvents and abrasives. Cleaning should be done with a soft lint free cotton cloth dampened with water or furniture polish. On highly used surfaces we recommend applying a quality paste wax which should be used on a regular basis to provide additional protection from scratches and spills. How often you apply the wax depends on how much wear the furniture receives.

### Part List






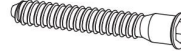




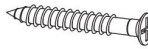




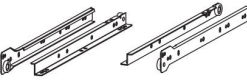
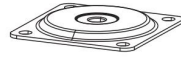


Product Dimensions: 15"Wx16"Dx20"H



**WARNING :**  
WEIGHT CAPACITY: 22 LBS.  
DRAWER LOAD CAPACITY : 15.5 LBS.

## Hardware List

<p>HW1x8</p>  <p>∅ 6 x 35 mm</p>	<p>HW2x4</p>  <p>∅ 15 mm</p>	<p>HW3x4</p>  <p>∅ 12 mm</p>	<p>HW4x8</p>  <p>∅ 8 x 30 mm</p>	<p>HW5x2</p>  <p>∅ 6 x 30 mm</p>	<p>HW6x4</p>  <p>M 7 x 50 mm</p>
<p>HW7x1</p>  <p>L 4</p>	<p>HW8x1</p> 	<p>HW9x1</p>  <p>M 4 x 22 mm</p>	<p>HW10x8</p>  <p>M 3.5 x 15.5 mm</p>	<p>HW11x4</p>  <p>M 8 x 39 mm</p>	<p>HW12x6</p>  <p>M 3.5 x 13 mm</p>
<p>HW13x4</p>  <p>M 6 x 10.5 mm</p>	<p>HW14x8</p> 	<p>HW15x16</p>  <p>M 4.5 x 12.5 mm</p>	<p>HW RM35Ax1</p> 	<p>HW PM2x4</p> 	

### Part List & HW For Multi-Box Items

Piece	Description	Qty	Carton Call
A	Top Board	1	1 of 1
B	Bottom Board	1	1 of 1
C	Side Board Left	1	1 of 1
D	Side Board Right	1	1 of 1
E	Front Drawer	1	1 of 1
F	Side Drawer Left	1	1 of 1
G	Side Drawer Right	1	1 of 1
H	Back Drawer	1	1 of 1
I	Bottom Drawer	1	1 of 1
J	Back Board	1	1 of 1
LC18A1	Leg	4	1 of 1

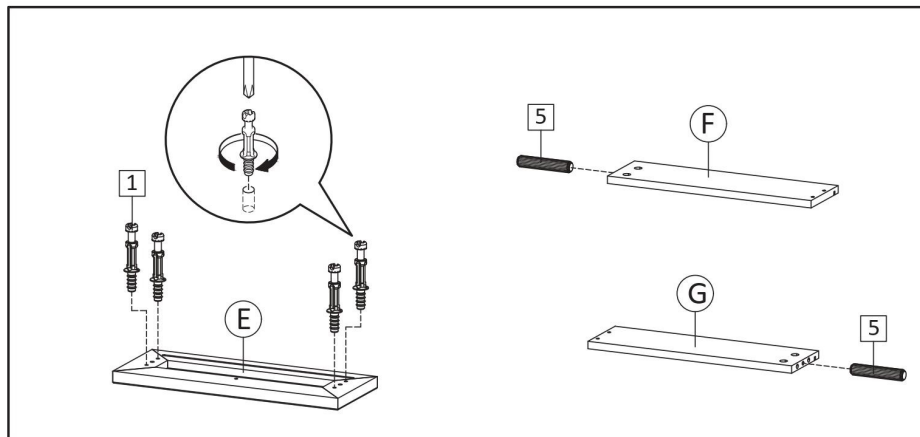
Piece	Description	Qty	Carton Call
HW1	Cambolt	8	1 of 1
HW2	CamLock Big	4	1 of 1
HW3	CamLock Small	4	1 of 1
HW4	Dowel Big	8	1 of 1
HW5	Dowel Small	2	1 of 1
HW6	Screw M 7 x 50 mm	4	1 of 1
HW7	Allen Key	1	1 of 1
HW8	Handle	1	1 of 1
HW9	Screw M 4 x 22 mm	1	1 of 1
HW10	Screw M 3.5 x 15.5 mm	8	1 of 1
HW11	Screw M 8 x 39 mm	4	1 of 1
HW12	Screw M 3.5 x 13 mm	6	1 of 1
HW13	Screw M 6 x 10.5 mm	4	1 of 1
HW14	Wedge	8	1 of 1
HW15	Screw M 4.5 x 12.5 mm	16	1 of 1
HW RM35A	Rail	1	1 of 1
HW PM2	Mounting Plate	4	1 of 1

## PREPARATION

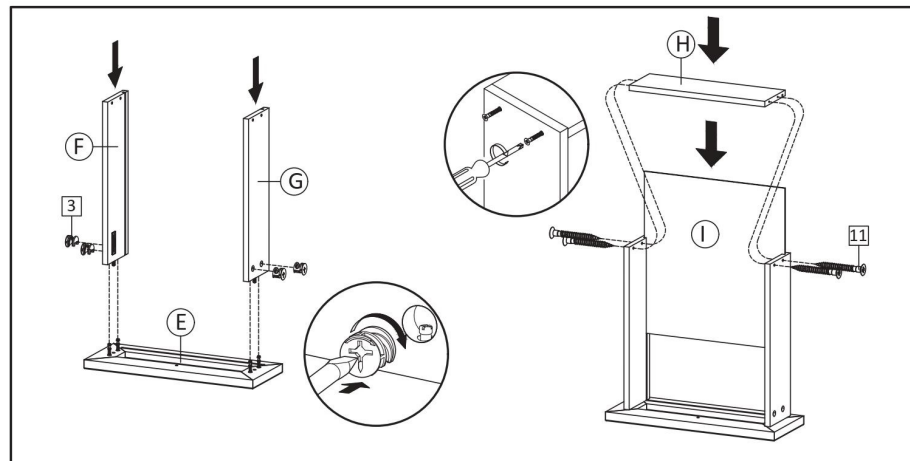
Before beginning assembly of product, make sure all parts are present. Compare parts with part contents list and hardware contents list.

If any part is missing or damaged, do not attempt to assemble the product.

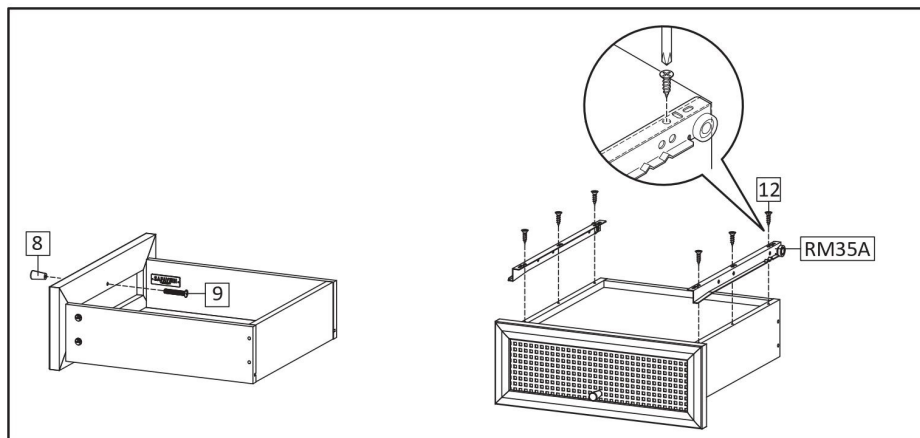
Estimated Assembly Time: 60 minutes.



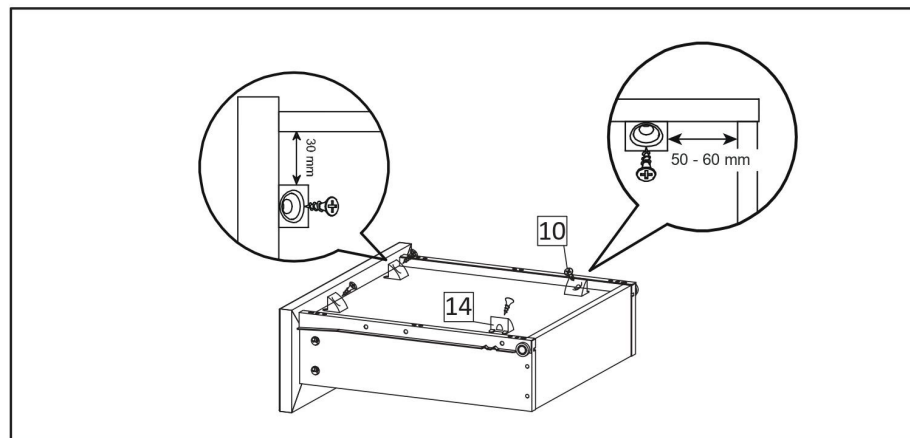
**STEP1:** Insert Cambolt (HW1) into Front Drawer (E).  
Insert Dowel Small (HW5) into Side Drawers ( F & G )



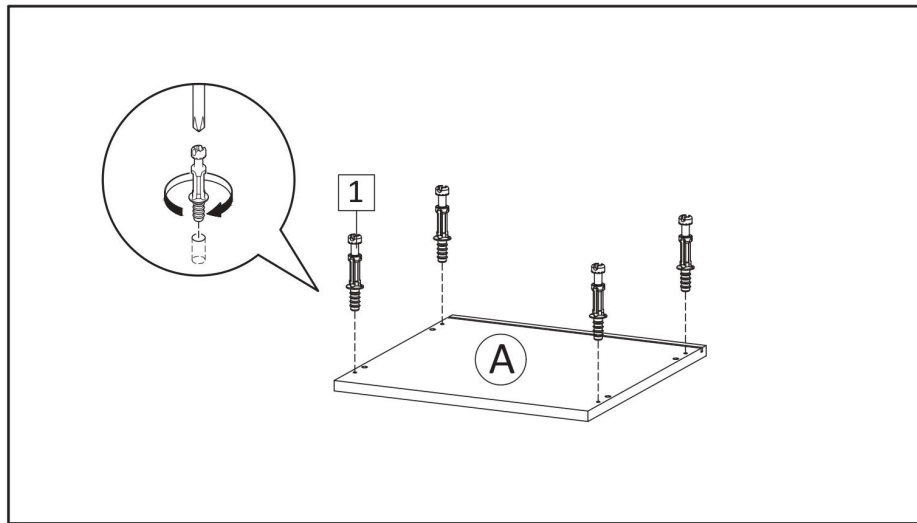
**STEP2:** Combine Side Drawers (F & G) into Front Drawer (E)  
then tighten camlock small (HW3) using screwdriver.  
Insert Bottom Drawer (I) with laminated face facing upward  
then put Back Drawer (H) and secure with Screw M8x39mm (HW11).



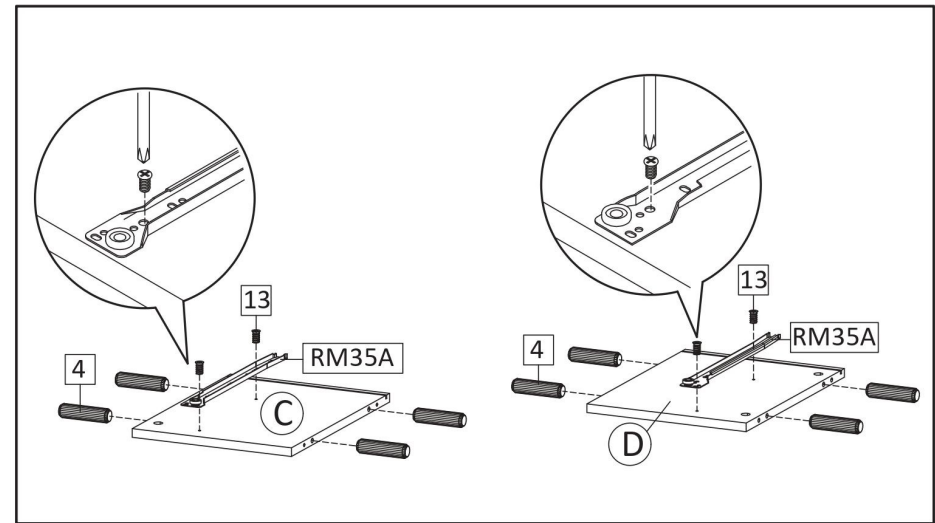
**STEP3:** Use Screw M4x22mm (HW9) to attach Handle (HW8)  
to the Front Drawer.  
Install the metal runner (HW RM35A) into position as shown in picture.  
Secure with screws M3.5x13mm (HW12).



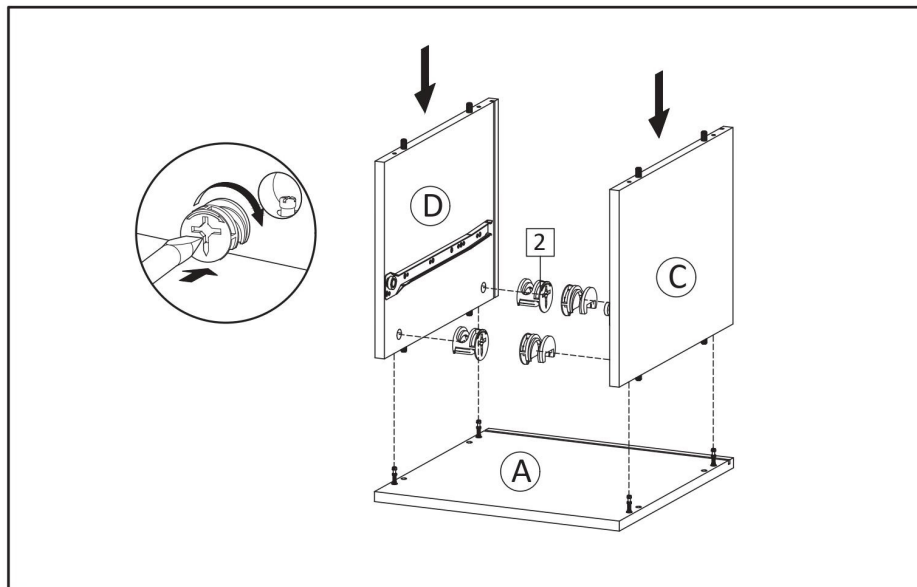
**STEP4:** Insert the Screw M3.5x15.5mm (HW10) and wedge (HW14)  
into the bottom of the drawer according to the picture.



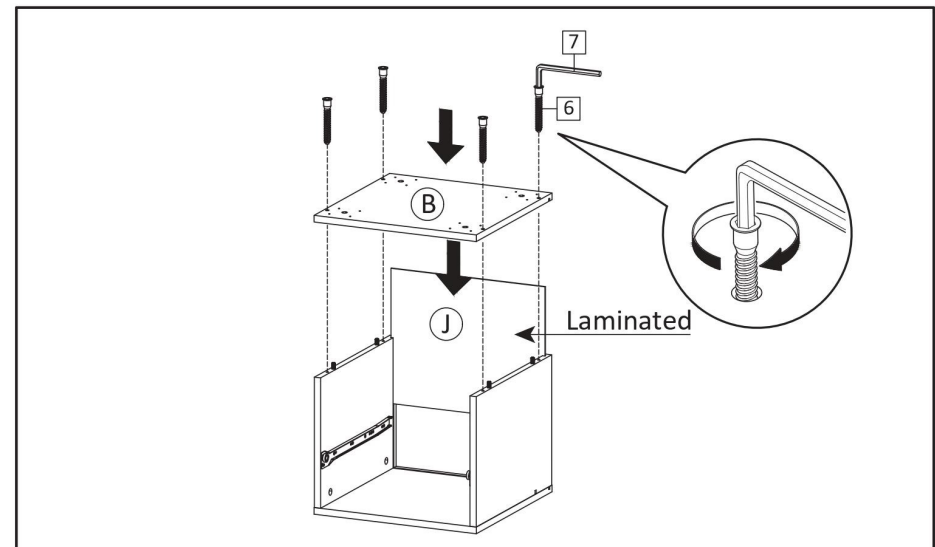
**STEP5:** Insert Cambolt (HW1) into Top Board (A).



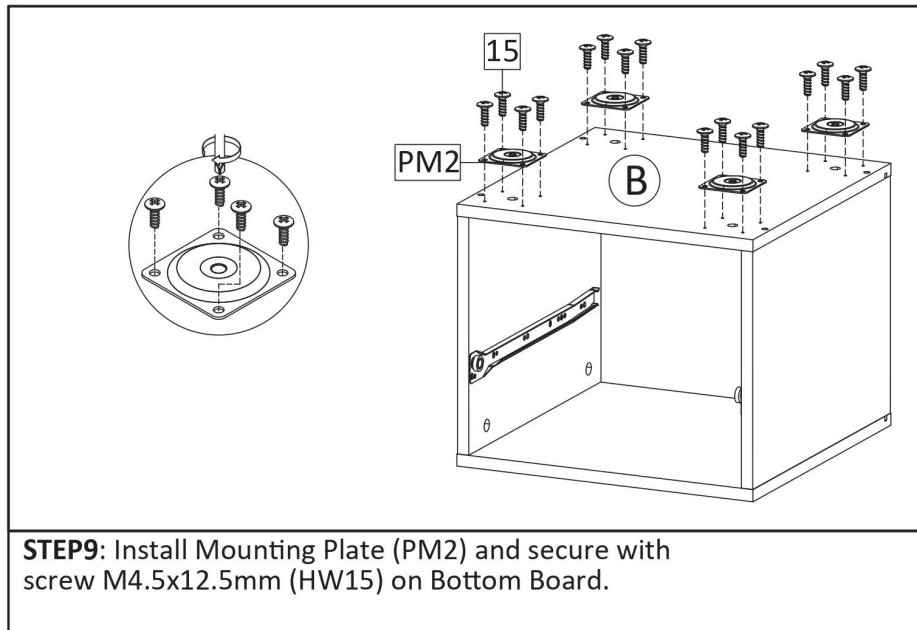
**STEP6:** Insert Dowel Big (HW4) into Side Board Left (C) and Side Board Right (D). Continue with securing part of the metal runner (HW RM35A ) into position as the above image, using screw M6x10.5mm (HW13).



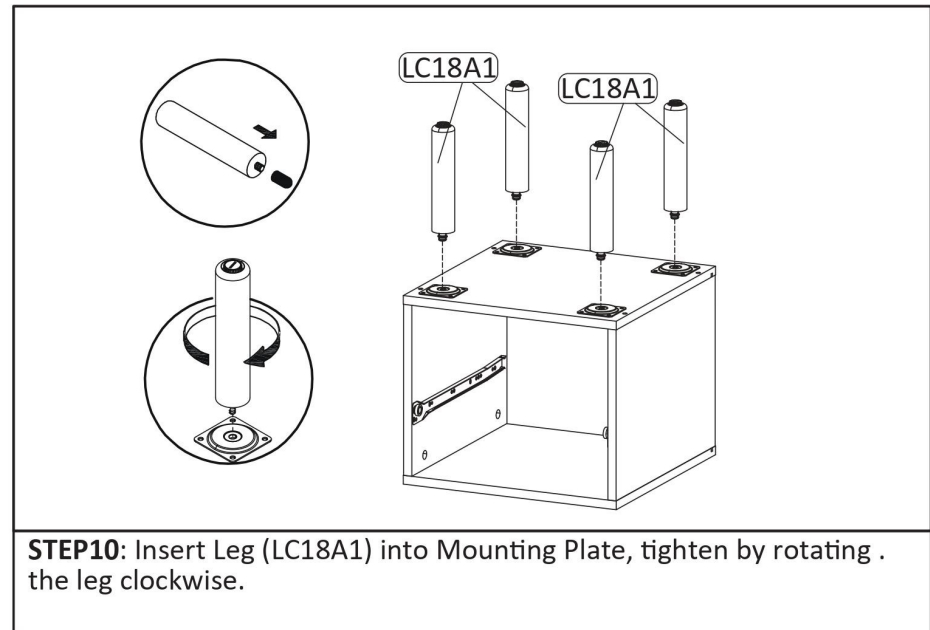
**STEP7:** Attach Side Board Left (C) and Side Board Right (D) into Top Board (A). Secure with Camlock Big (HW2) and tighten it using screwdriver.



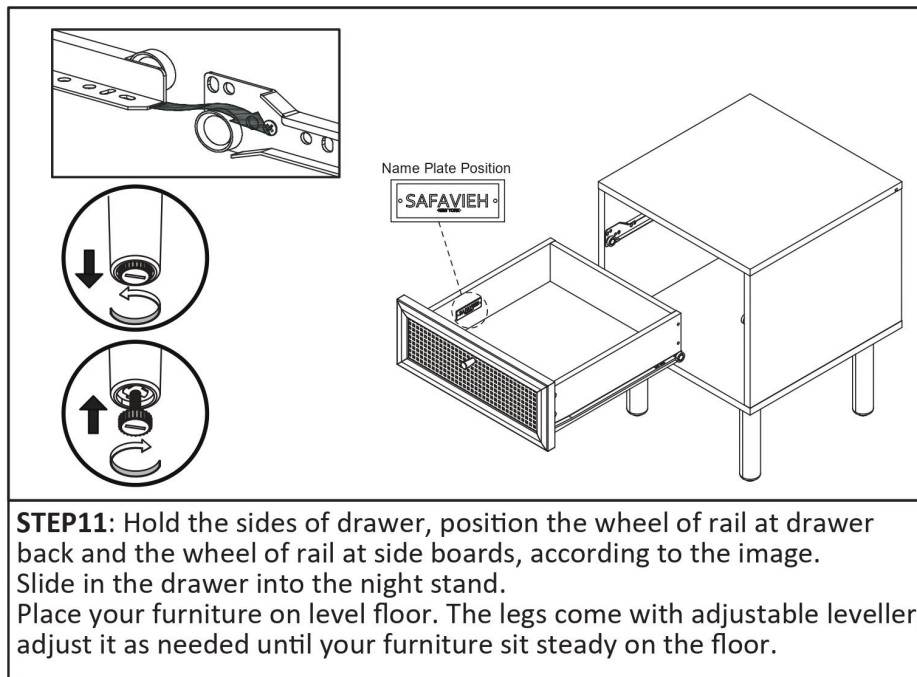
**STEP8:** Insert Back Board (J) with laminated facing front side followed by Bottom Board (B), secure with Screw M7x50mm (HW6), tighten screws using Allen Key (HW7).



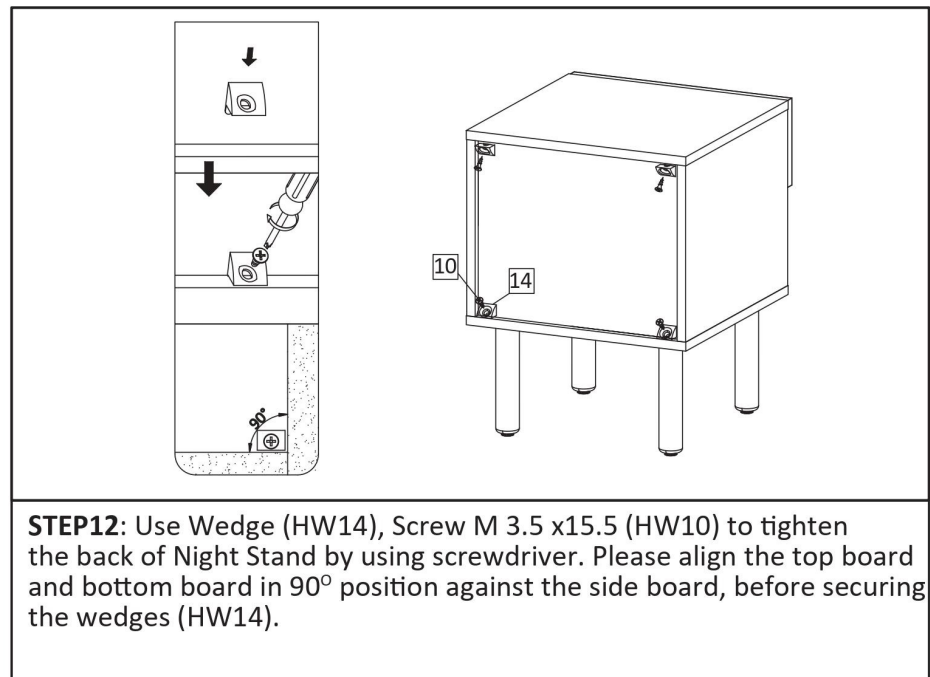
**STEP9:** Install Mounting Plate (PM2) and secure with screw M4.5x12.5mm (HW15) on Bottom Board.



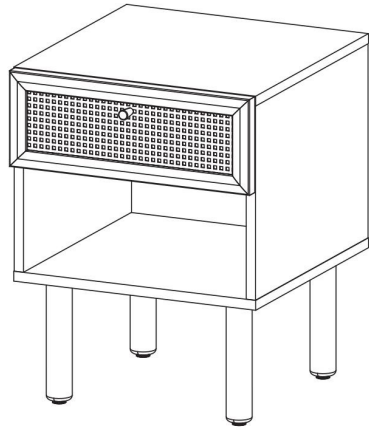
**STEP10:** Insert Leg (LC18A1) into Mounting Plate, tighten by rotating the leg clockwise.



**STEP11:** Hold the sides of drawer, position the wheel of rail at drawer back and the wheel of rail at side boards, according to the image. Slide in the drawer into the night stand. Place your furniture on level floor. The legs come with adjustable leveller, adjust it as needed until your furniture sit steady on the floor.



**STEP12:** Use Wedge (HW14), Screw M 3.5 x15.5 (HW10) to tighten the back of Night Stand by using screwdriver. Please align the top board and bottom board in 90° position against the side board, before securing the wedges (HW14).



**STEP13:** Assembly is complete.

# TIPPING RESTRAINTS KIT INSTALLATION GUIDANCE

Different wall materials require unique wall fasteners.

The wall plugs (AA2) and screws (AA3) are designed for fixing to concrete walls only.

Please consult your local hardware store to ensure you are using the correct hardware for your wall type.

