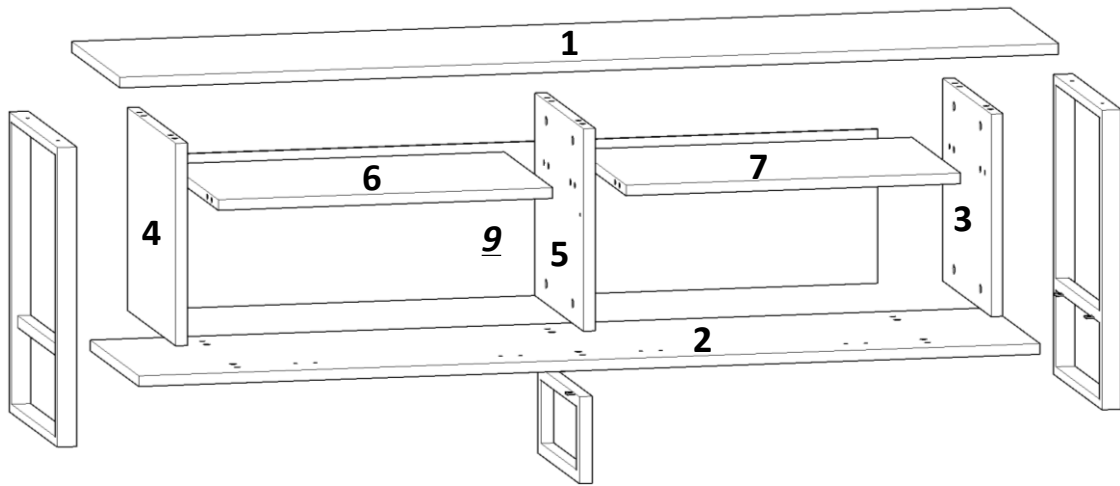
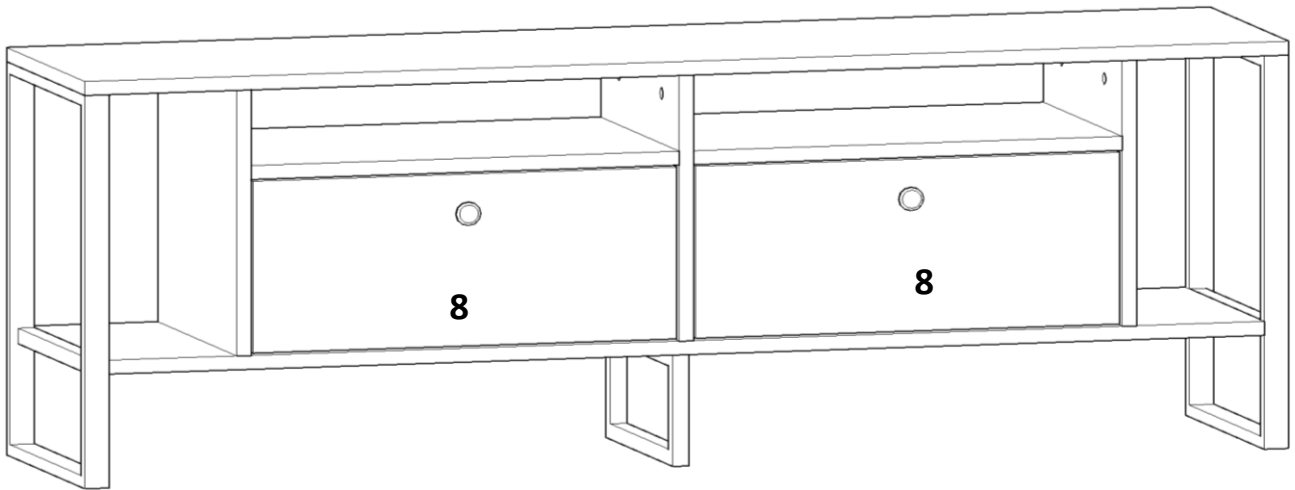



Tv Unit




PIECE NO	PIECE NAME	PIECE QUANTITY
1	TOP TABLE (1500 mm X 350 mm)	1
2	BOTTOM TABLE (1440 mm X 350 mm)	1
3	RIGHT SIDE (350 mm X 350 mm)	1
4	LEFT SIDE (350 mm X 350 mm)	1
5	MIDDLE STRUT (350 mm X 350 mm)	1
6	LEFT SHELF (534 mm X 350 mm)	1
7	RIGHT SHELF (534 mm X 350 mm)	1
8	COVER (528 mm X 226 mm)	2
9	<i>BACKREST(3 mm) (1120 mm X 266 mm)</i>	1

ACCESSORY : A
MINIFIX BODY




QTY	DIM
20	∅:15

ACCESSORY : B
MINIFIX SHAFT




QTY	DIM
20	∅:8

ACCESSORY : C
DOWEL




QTY	DIM
20	∅:8

ACCESSORY : D
STAR SCREW




QTY	DIM
22	3,5x18

ACCESSORY : E
HANDLE SCREW



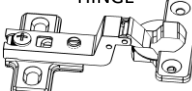
QTY	DIM
2	4x35

ACCESSORY : F
COVER STOP




QTY	DIM
2	

ACCESSORY : G
HINGE



QTY	DIM
4	

ACCESSORY : H
HANDLE




QTY	DIM
2	

ACCESSORY : J
NAIL



QTY	DIM
13	

ACCESSORY : K
BLACK STAR SCREW

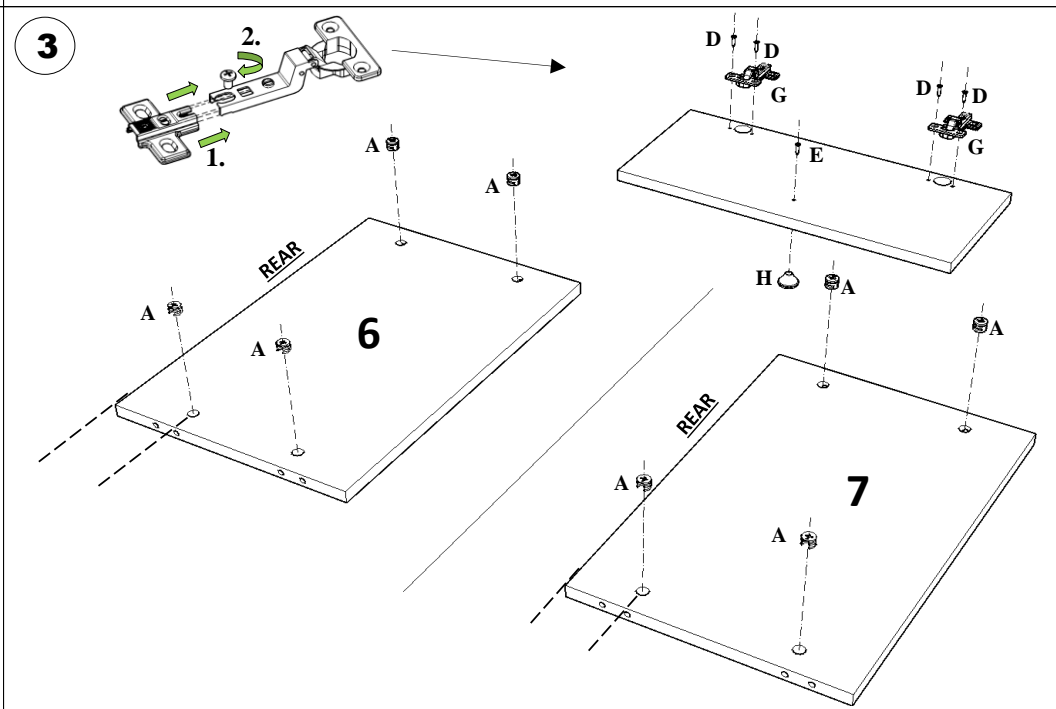
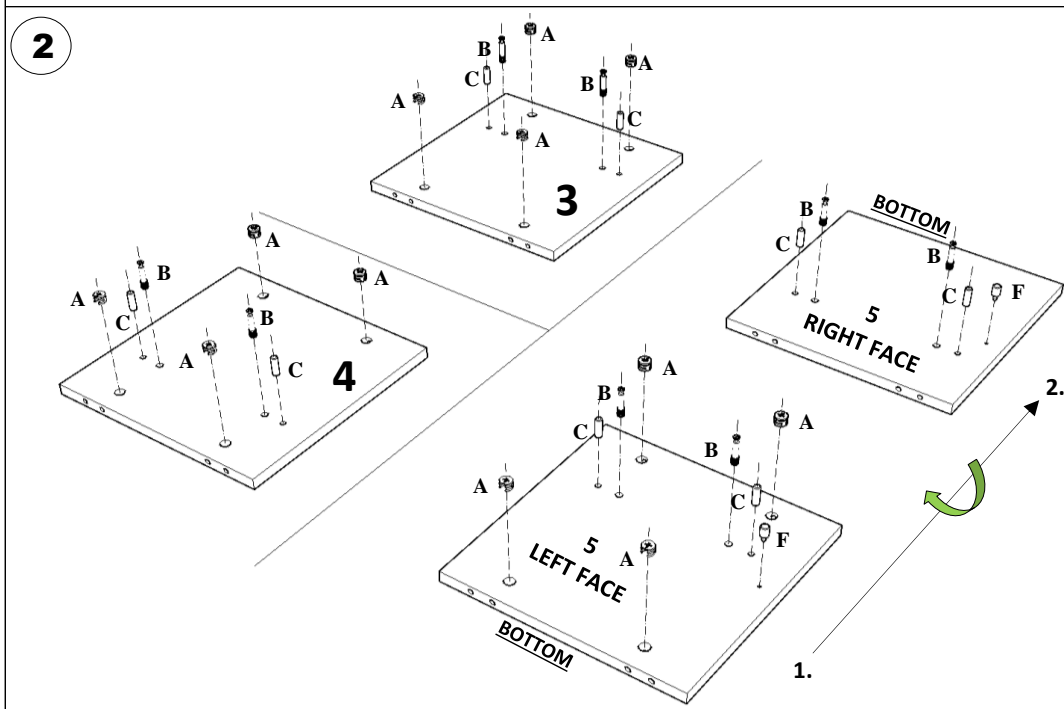
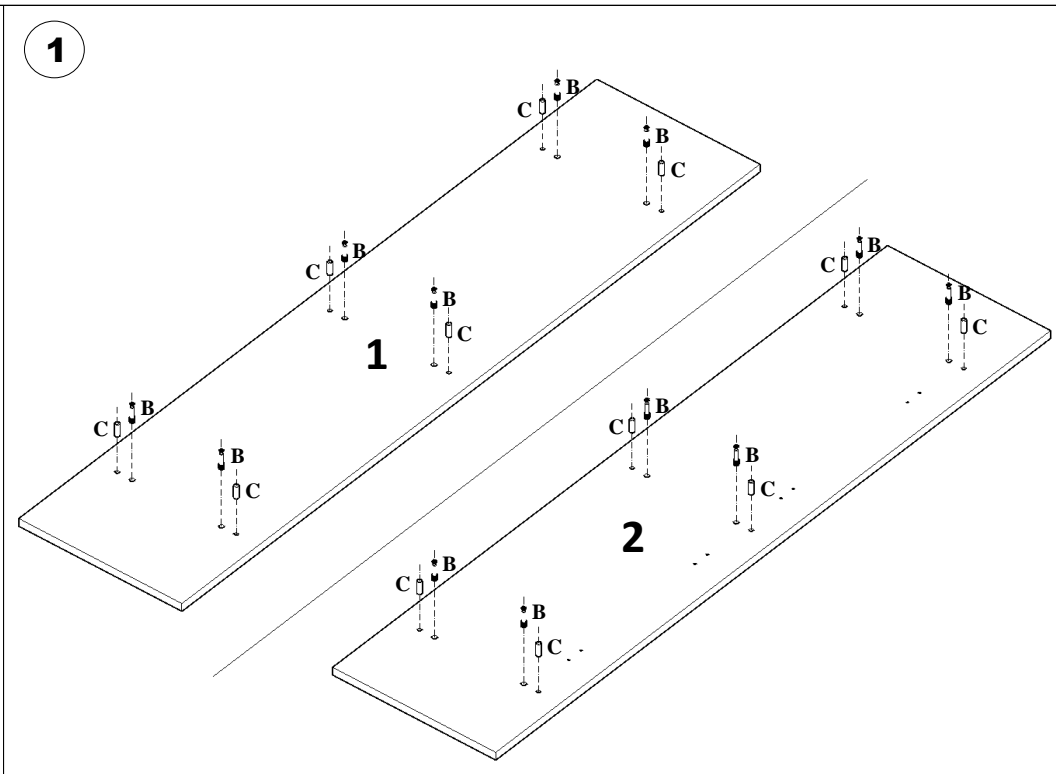
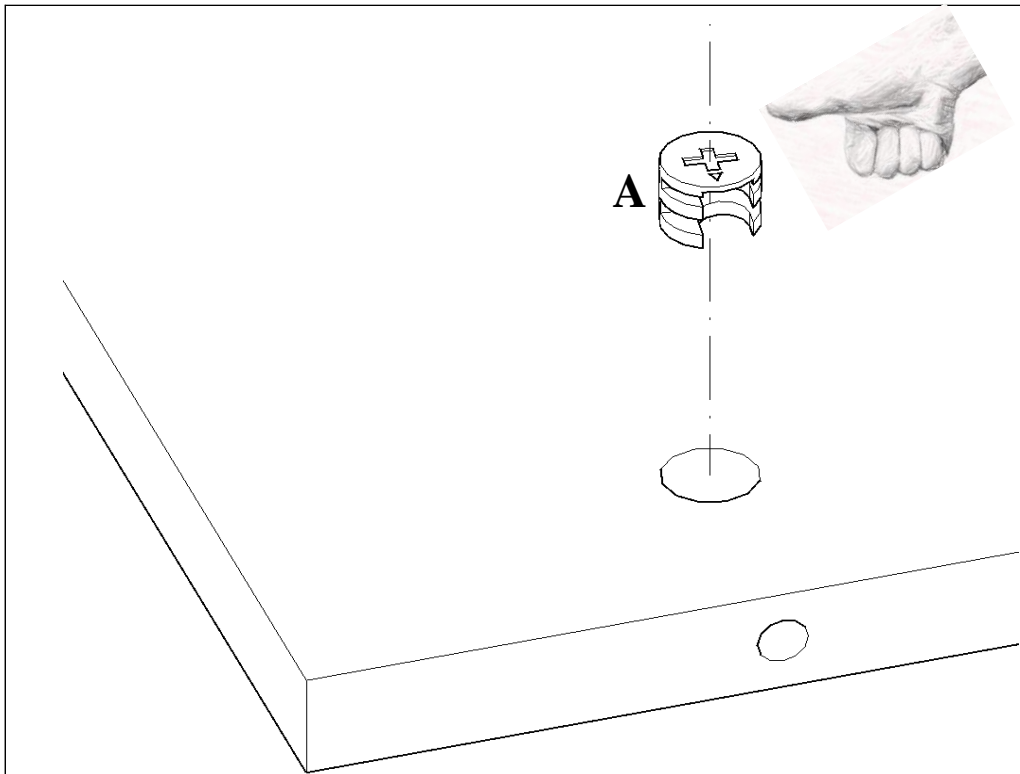


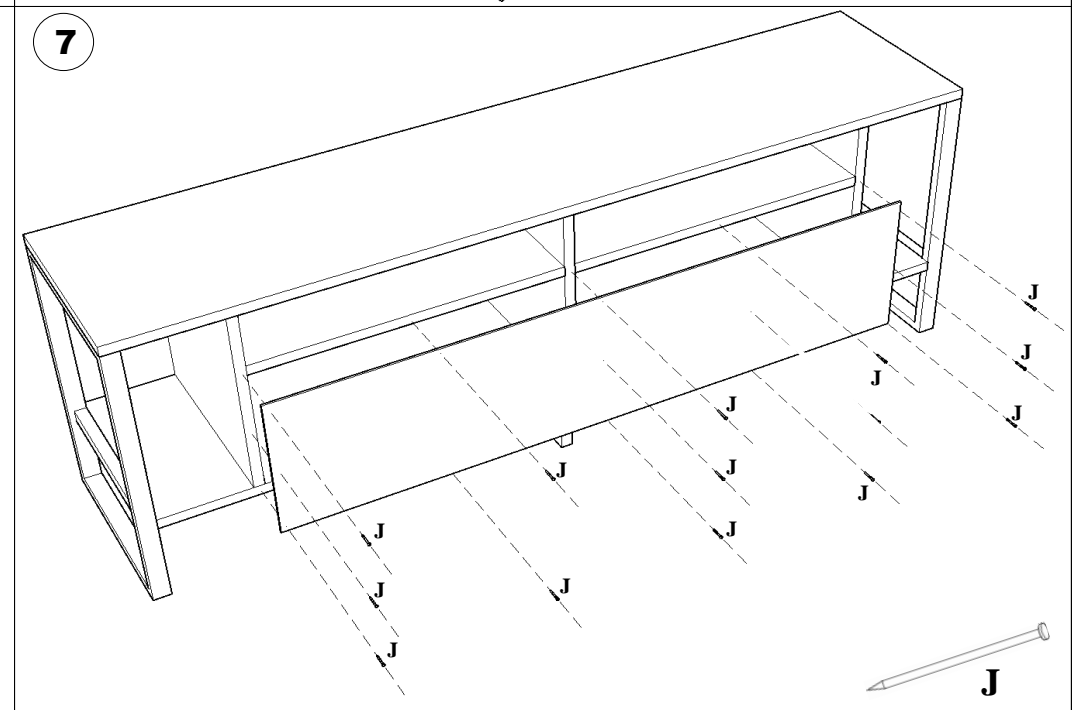
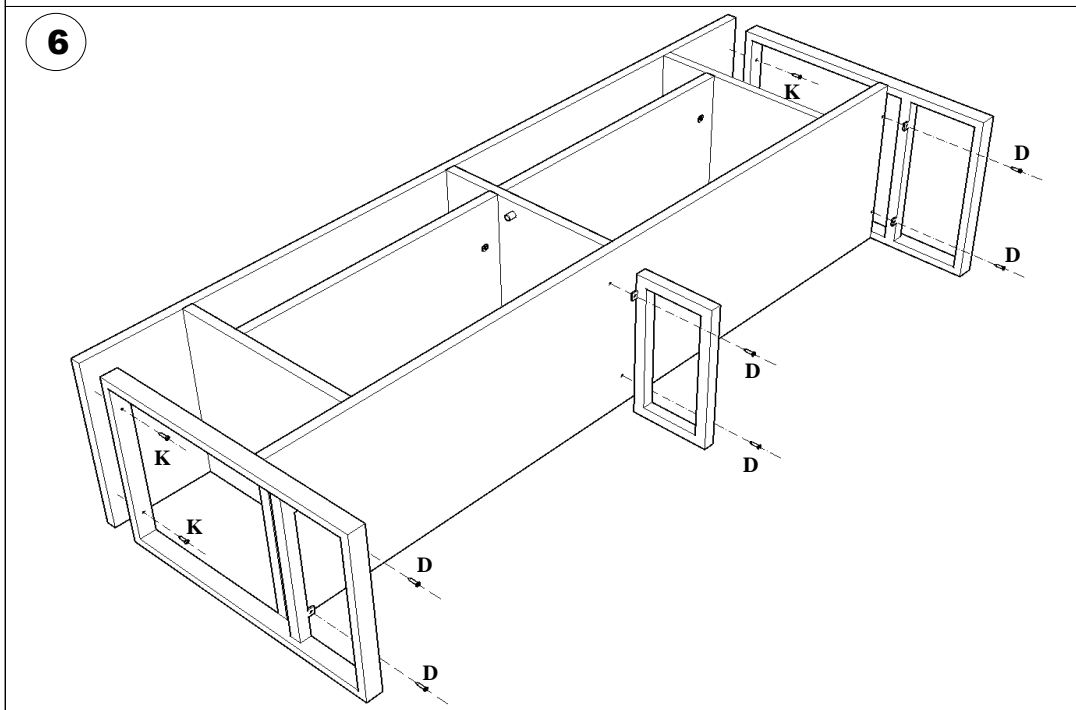
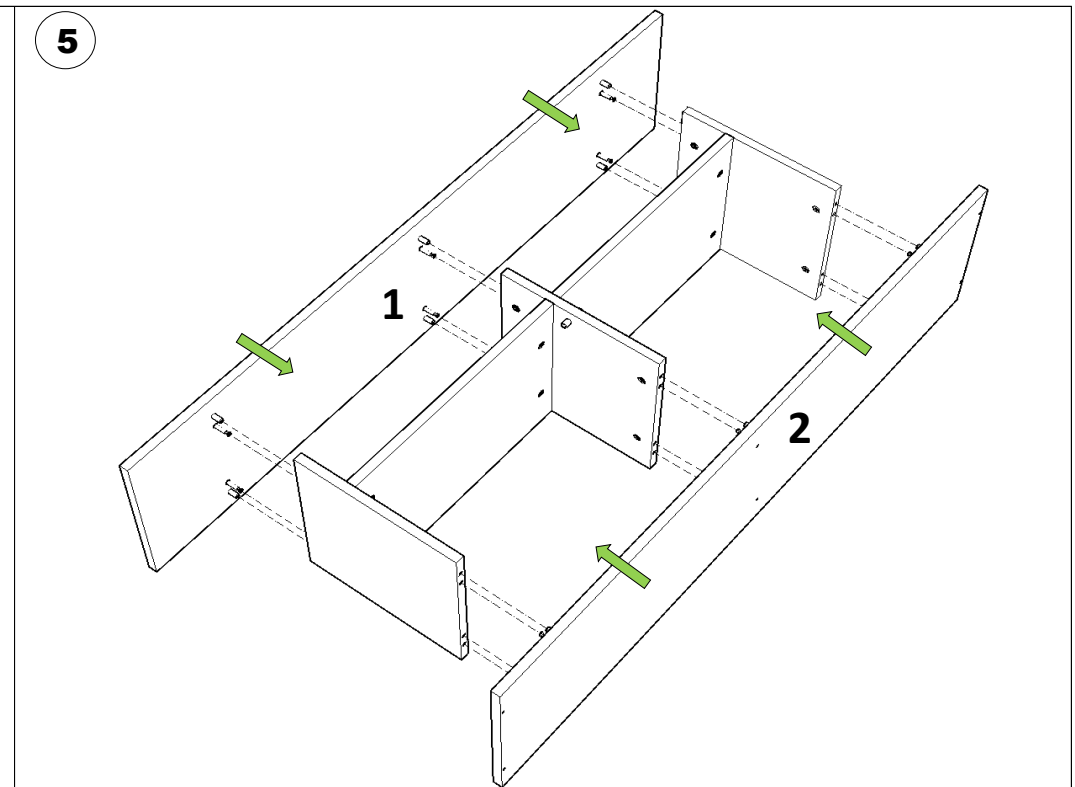
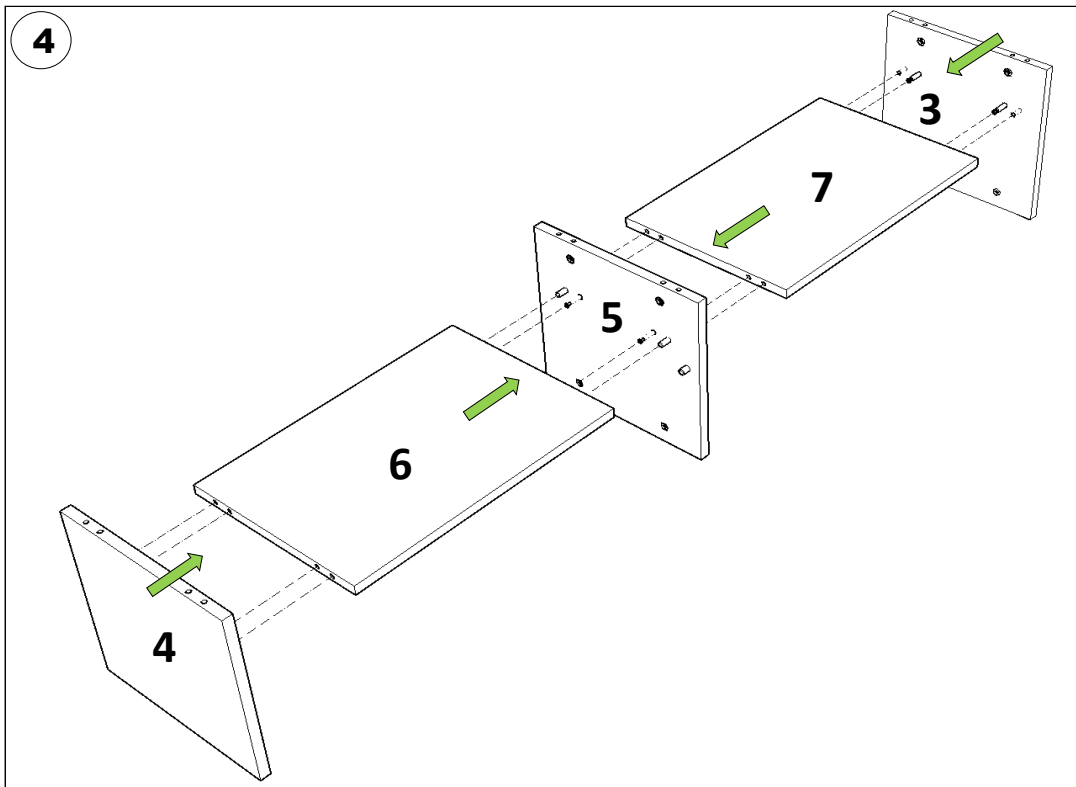
QTY	DIM
4	4x35

ACCESSORY : L
MINIFIX COVER

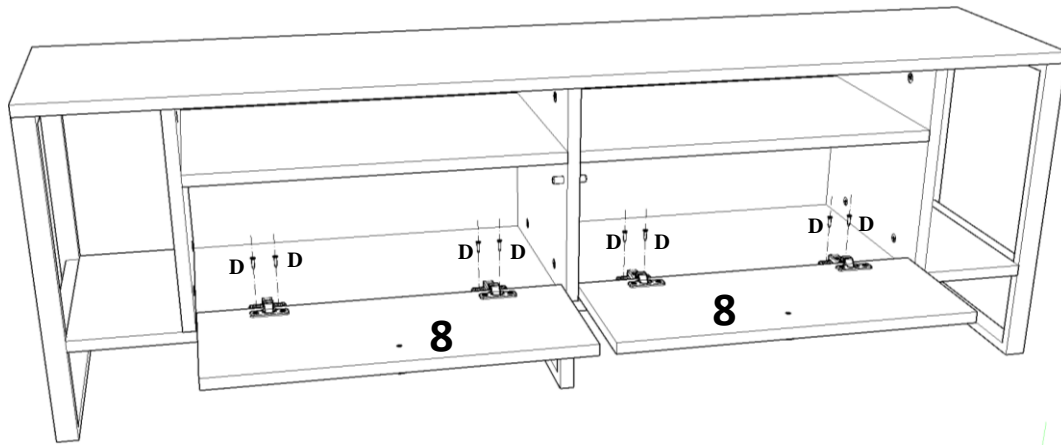


QTY	DIM
20	

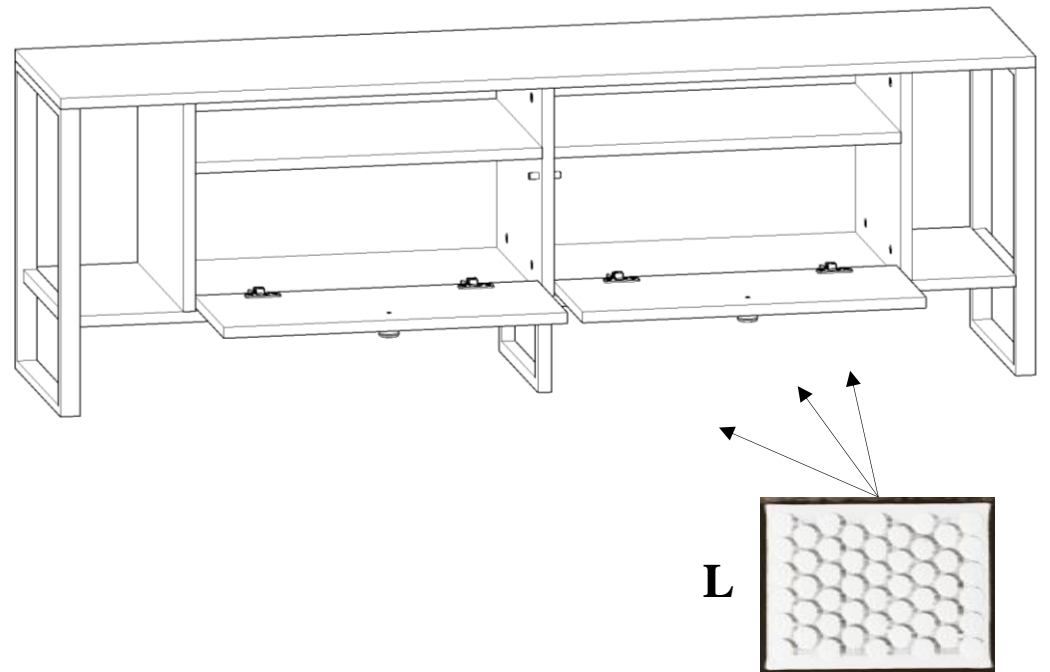




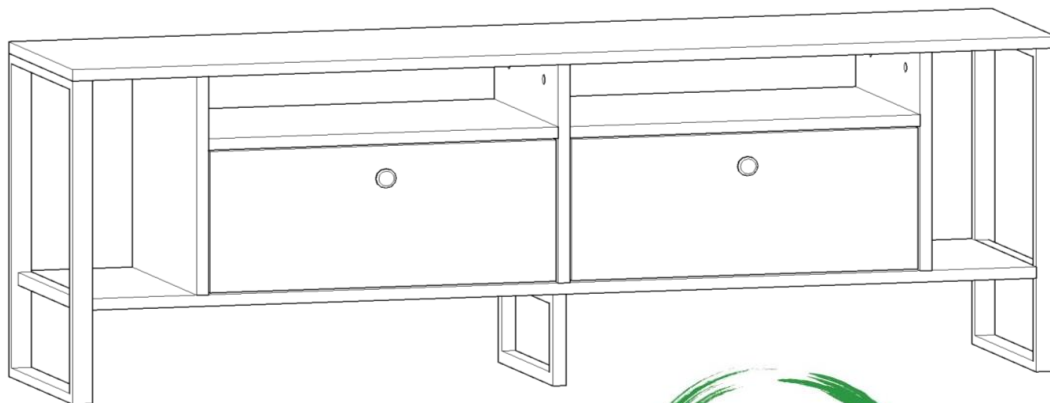
8



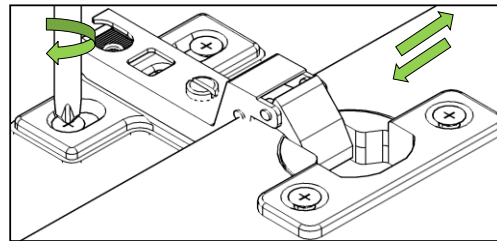
9



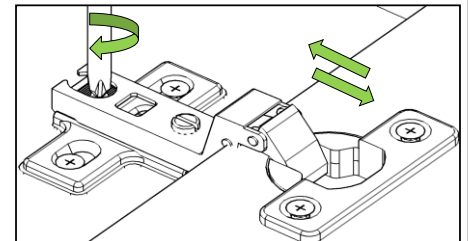
10



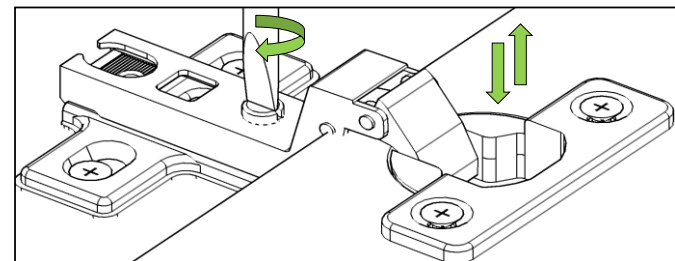
COVER ADJUSTMENT



RIGHT - LEFT ADJUSTMENT



FORWARD-BACK ADJUSTMENT



UP - DOWN ADJUSTMENT