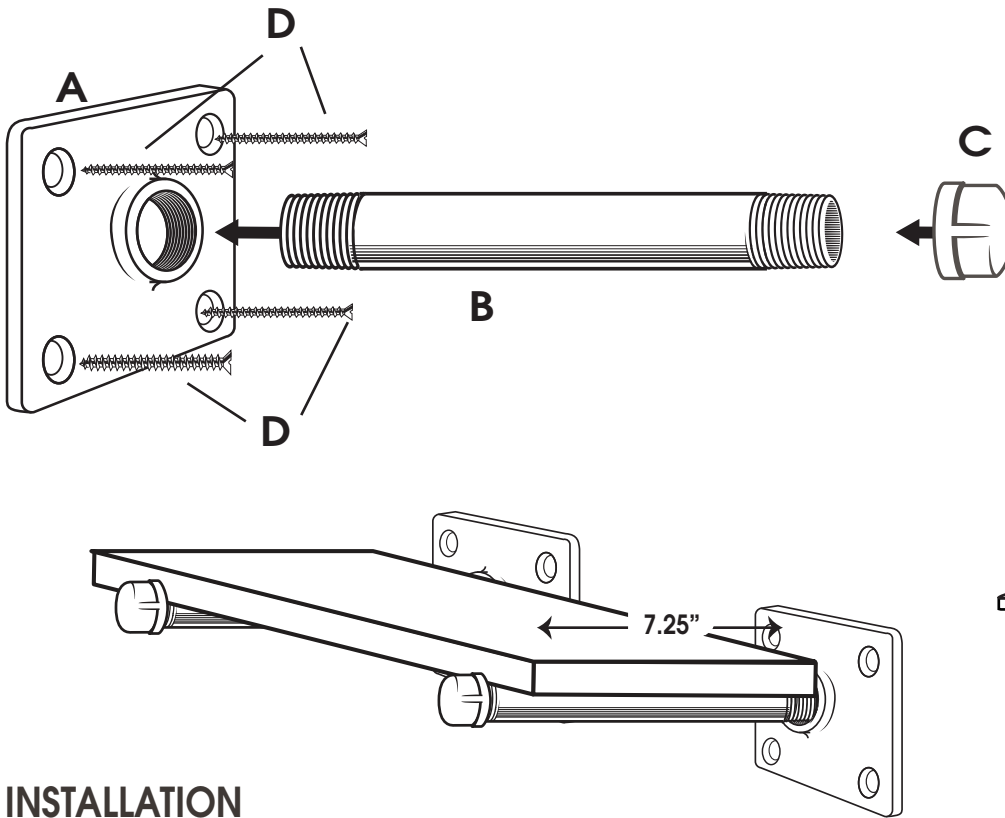


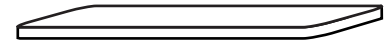
8" Pipe Shelf Bracket

We take pride in our customer service and your satisfaction is very important to us. If you have any questions or problems please contact us right away. Thank you for your business!



375 12X8LGBRKT Parts List:

- A** - 1/2" SQUARE FLANGE (4 PCS)
- B** - 1/2" X 8" CONNECTOR (4 PCS)
- C** - 1/2" CAP (4 PCS)
- D** - #10 X 1-3/4" SCREWS (16 PCS)
- E** - PLASTIC WALL ANCHORS (16 PCS) NOTE: Use wall anchors for hollow wall application only. Wall anchors are not necessary if flanges are attached directly into studs.



*WOOD SHELF NOT INCLUDED

INSTALLATION

If installing into a wood stud:

1. Mark holes on wall with flange.
2. Use anchors for the holes that are not hitting the stud, see anchor info in below instructions.
3. Using #10 1-3/4" screws provided, drill flange into wall.
4. Put shelf brackets together as shown above.

If installing into hollow wall:

NOTE: It is recommended that you install into stud for sturdier hold.

1. Mark holes on wall with flange.
2. Drill 1/4" holes into wall.
3. Install anchors - push anchors into the predrilled holes. Make sure the anchors are pushed fully into the wall, this may require light hammering.
4. Using #10 1-3/4" screws provided, drill flange into the wall.
5. Put shelf brackets together as shown above.