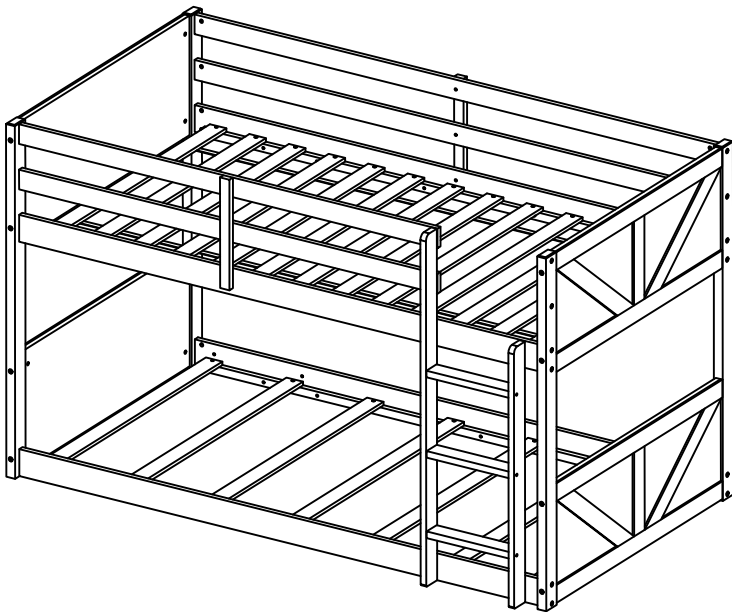
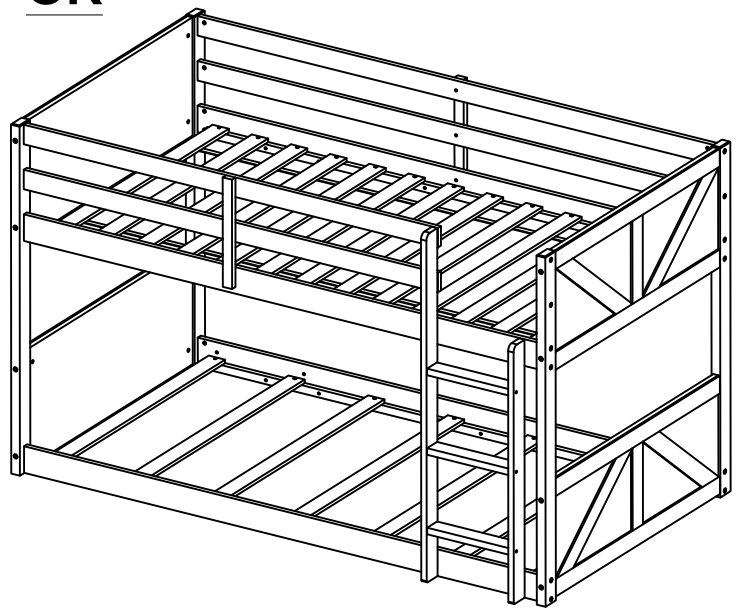


ASSEMBLY INSTRUCTIONS

TWIN OVER TWIN FLOOR BUNK BED



OR





SAFETY WARNING



1. This bed is designed for use only mattress (es) meeting the following specifications on the upper bunk, and lower bunk:

Down bed

Bed type	Length	With	Thickness
Twin Standard	74"-75"	38 1/2"	8" max

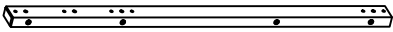
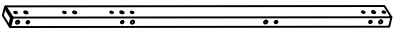




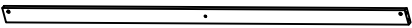
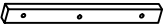
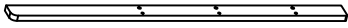
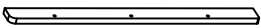
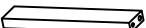
Up bed (Bunk bed and tribed included)

Bed type	Length	With	Thickness
Twin Standard	74"-75"	38 1/2"	6" max

2. Replacement parts, including additional guardrails, maybe obtained from any of our dealers.
3. Follow the information on the warnings appearing on the upper bunk bed end structure and on the carton. Do not remove warning label from bed.
4. Always use the recommended size mattresses or mattress supports, or both, to help prevent the likelihood of entrapment or falls.
5. Surface of mattress must be at least 5" (127mm) below the upper edge of guardrails.
6. Do not allow children under 6 years of age to use the upper bunk.
7. Periodically check and ensure that the guardrail, ladder, and other components are in their proper position, free from damage, and that all connectors are tight.
8. Do not allow horseplay on or under the bed and prohibit jumping on the bed.
9. Always use the ladder for entering and leaving the upper bunk.
10. Do not use substitute part. Contact the manufacture or dealer for replacement part.
11. Use of a night light may provide added safety precaution for a child using the upper bunk.
12. Always use guardrails on both long sides of the upper bunk. If the bunk bed will be placed next to the wall, the guardrail that runs the full length of the bed should be placed against the wall to prevent entrapment between the bed and wall.
13. The use of water or sleep flotation mattresses is prohibited.
14. **STRANGULATION HAZARD** - Never attach or hang items to any part of the bunk bed that are not designed for use with the bed; for example, but not limited to, hook, belts and jump ropes.
15. Keep these instruction for future reference.
16. Prohibit more than one person on upper bunk.
17. We recommend assembling your bunk bed on the shipping carton to protect your floor or carpet.
18. Be certain all staples are out of the box before beginning assembly on the shipping carton.

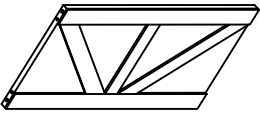
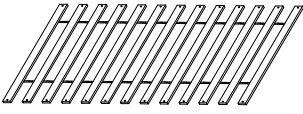


Part List

Box (1/2)

A  Leg - 2pcs	A1  Leg - 2pcs	G  Side Rail Lower (Front & Back) - 2pcs
G1  Side Rail Upper (Front) - 1pc	G2  Side Rail Upper (Back) - 1pc	H  Guardrail Upper (Front) - 2pcs
I  Guardrail Upper (Back) - 2pcs	J  Guardrail Spindle - 2pcs	L  Ladder Rail Left (Long) - 1pc
L1  Ladder Rail Right (Short) - 1pc	M  Ladder Step - 3pcs	


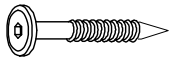

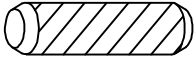
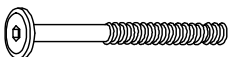
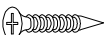
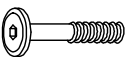
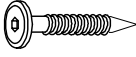
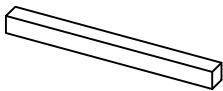

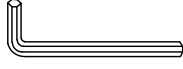
Part List

Box (2/2)

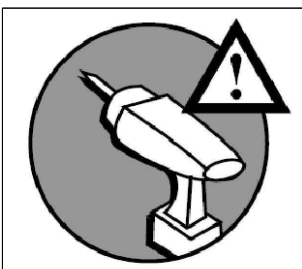
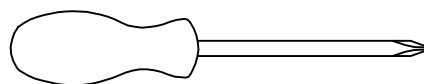
E  Hb. Fb. Panel - 4pcs	N  Bed Slats (Upper) - 1Set	N1  Bed Slats End (Lower) - 2pcs
N2  Bed Slats Mid. (Lower) - 5pcs		

Hardware List

Box (1/2)




<p>1</p>  <p>M6 x 100mm JCBC (16pcs)</p>	<p>2</p>  <p>M6 x 50mm JCBC-W (12pcs)</p>	<p>3</p>  <p>M6 x 15mm Barrel Nut (38pcs)</p>
<p>4</p>  <p>M10 x 30mm Wood Dowel (36pcs)</p>	<p>5</p>  <p>M6 x 70mm JCBC (22pcs)</p>	<p>6</p>  <p>M4 x 25mm CSK Screw (32pcs)</p>
<p>7</p>  <p>M6 x 30mm JCBC (6pcs)</p>	<p>8</p>  <p>M6 x 30mm JCBC-W (8pcs)</p>	<p>9</p>  <p>20 x 20 x 233mm Wood Block (1pc)</p>
<p>10</p>  <p>Sticker Cap (6pcs)</p>	<p>11</p>  <p>M4 Allen Key (1pc)</p>	

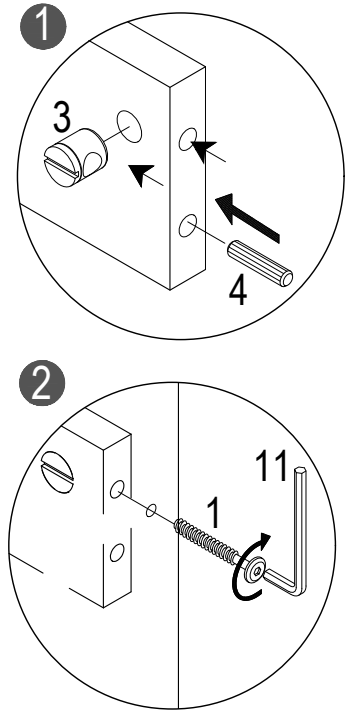
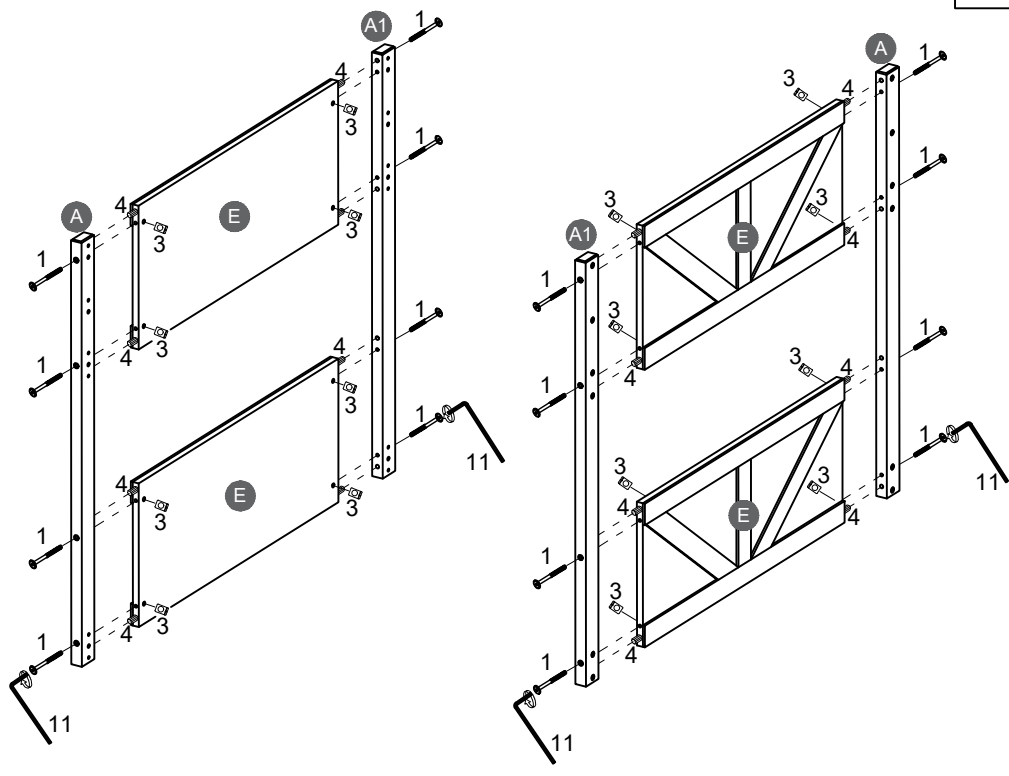
ASSEMBLY TOOLS REQUIRED (NOT INCLUDED)




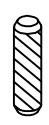


PLEASE BE CAREFUL DO NOT DAMAGE THE HOLE POSITION WHEN YOU USE POWER TOOLS !

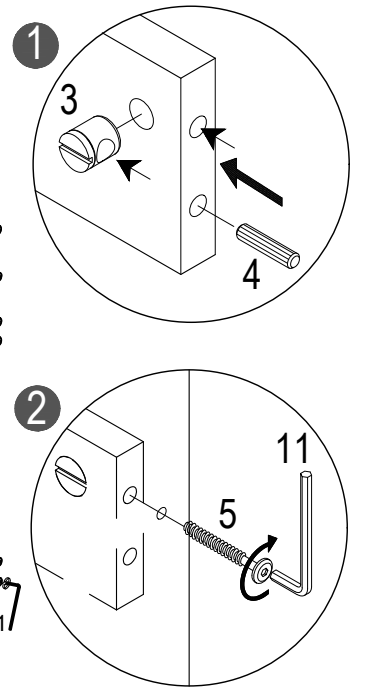
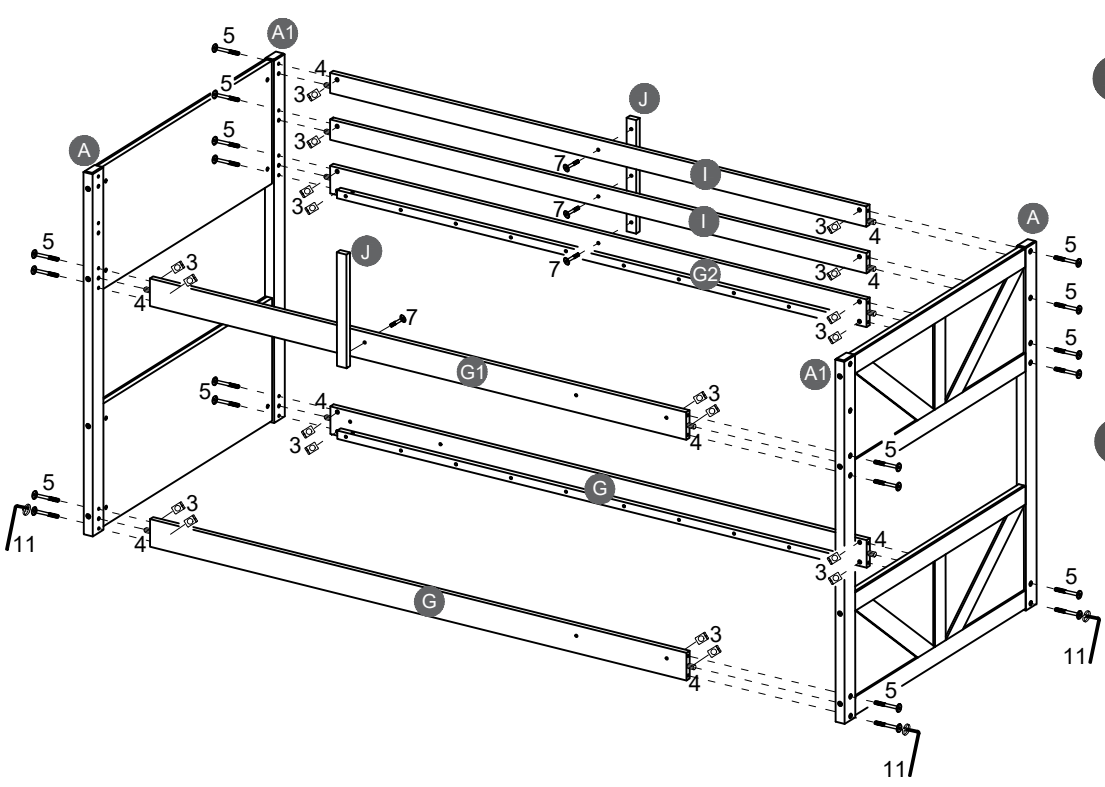
STEP 1:

1		3		4	
16PCS		16PCS		16PCS	







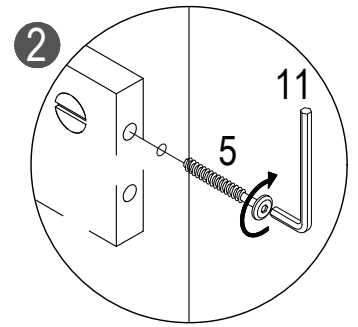
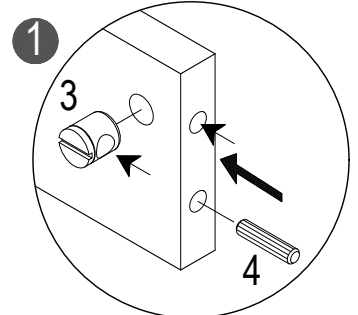
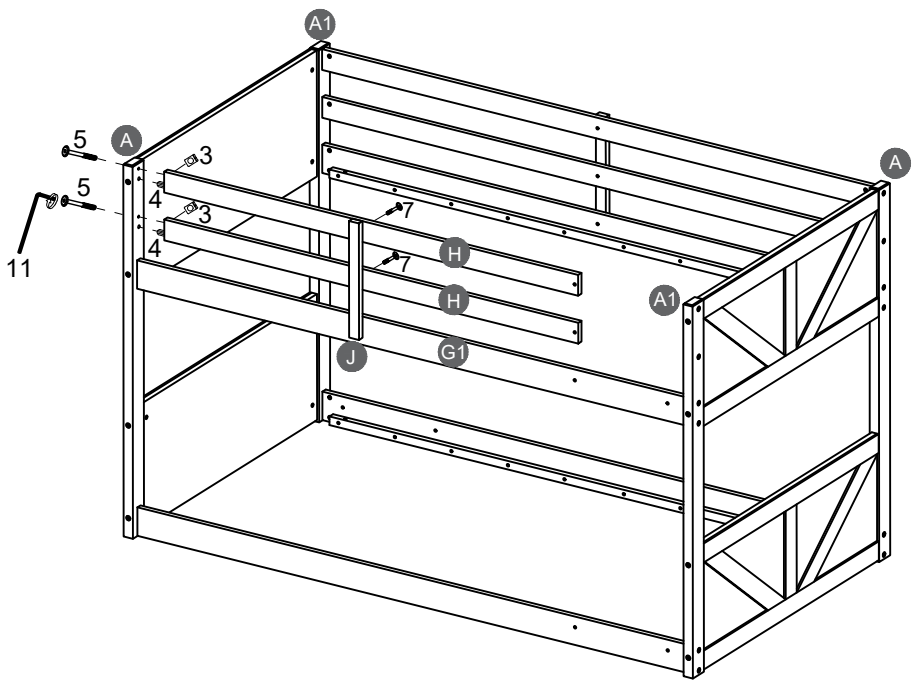
STEP 2:

3		4		5		7	
20PCS		12PCS		20PCS		4PCS	





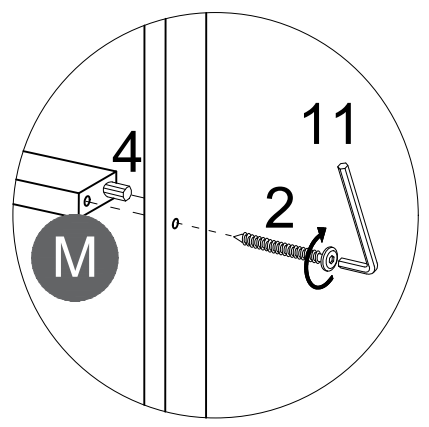
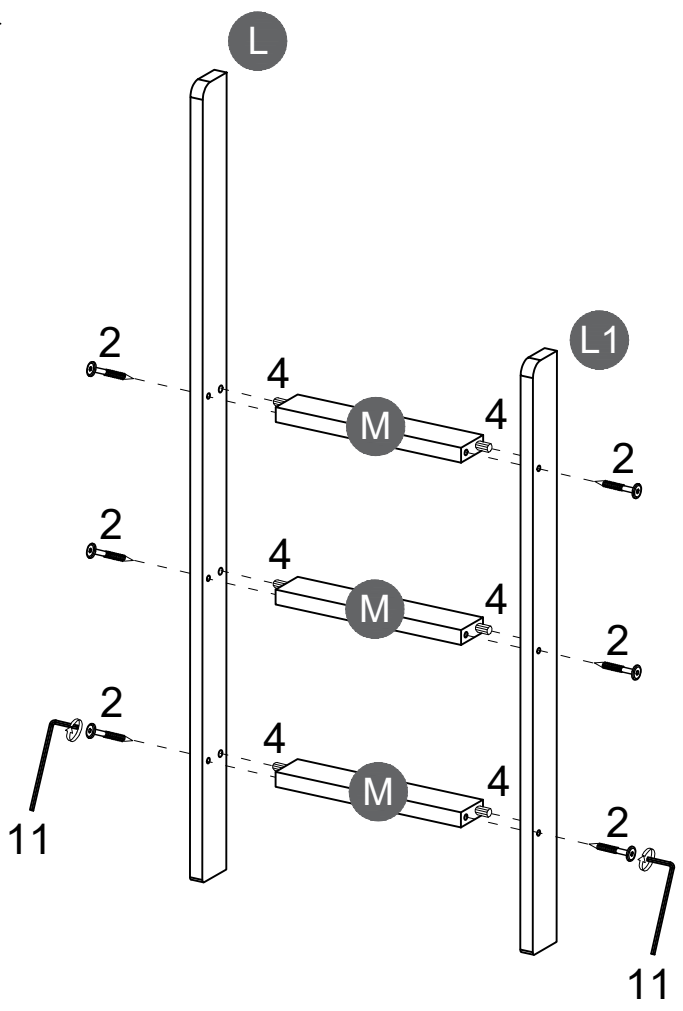
STEP 3:

3	4	5	7
			
2PCS	2PCS	2PCS	2PCS




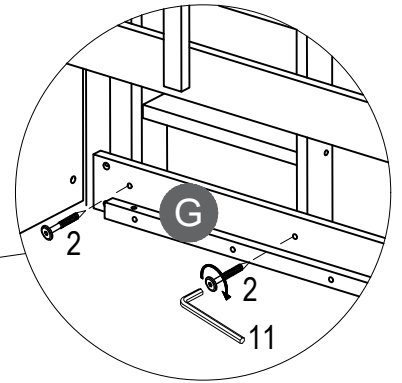
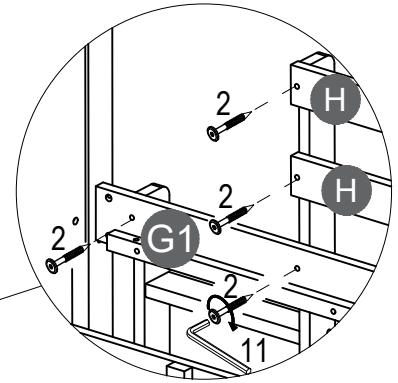
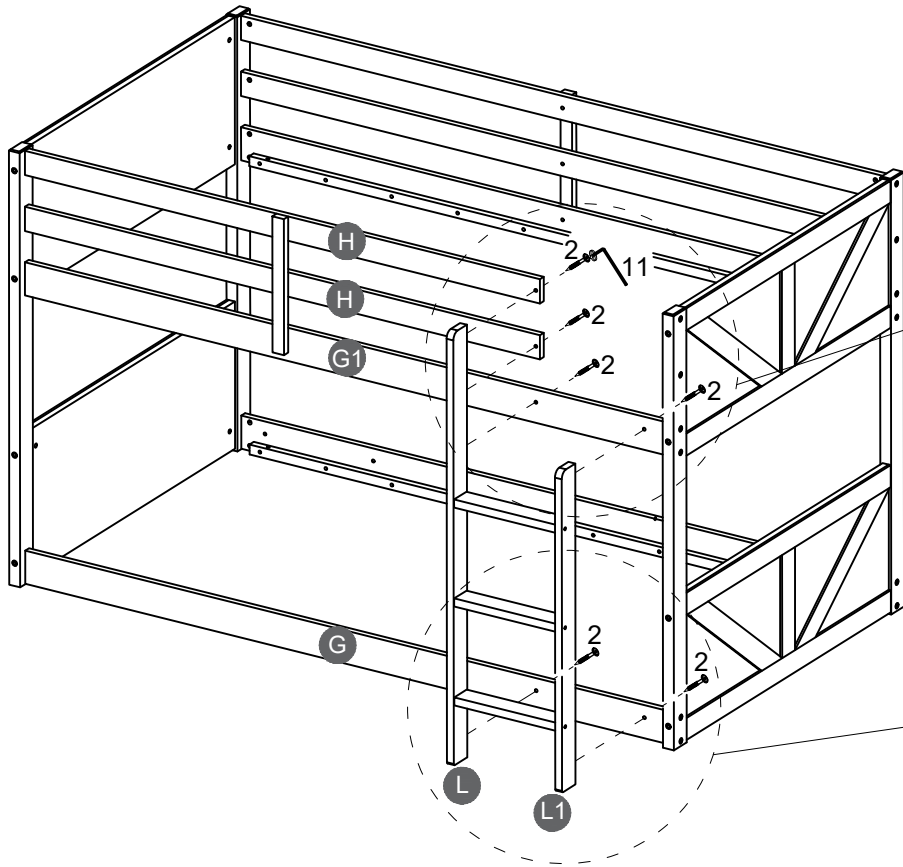
STEP 4:

2	4
	
6PCS	6PCS





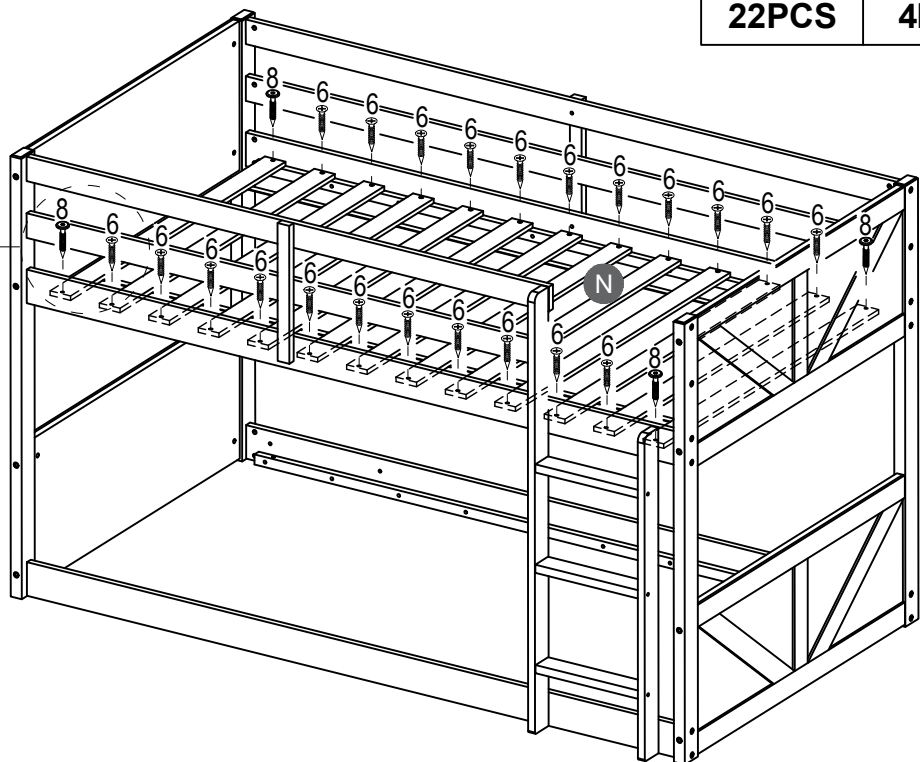
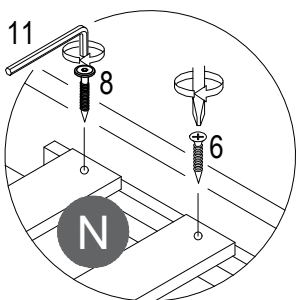
STEP 5:

2	
6PCS	



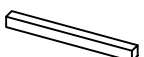



STEP 6:

6		8	
22PCS		4PCS	



STEP 7:

6		8		9		10	
10PCS		4PCS		1PC		6PCS	

