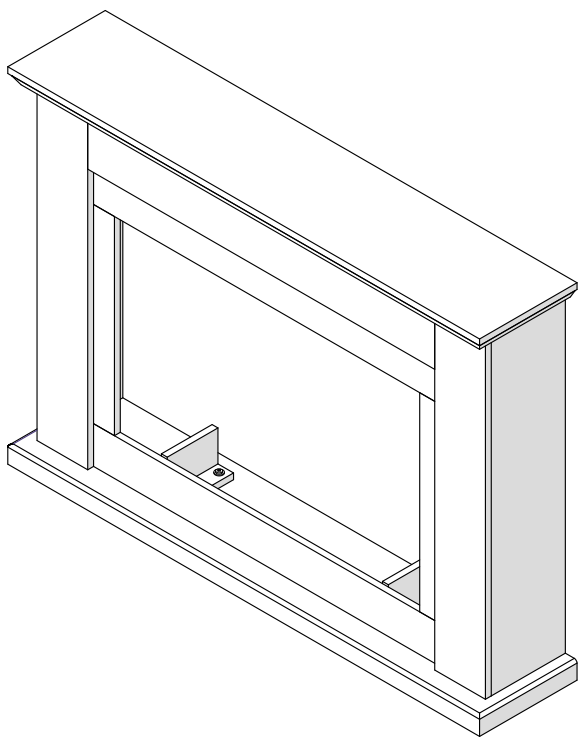


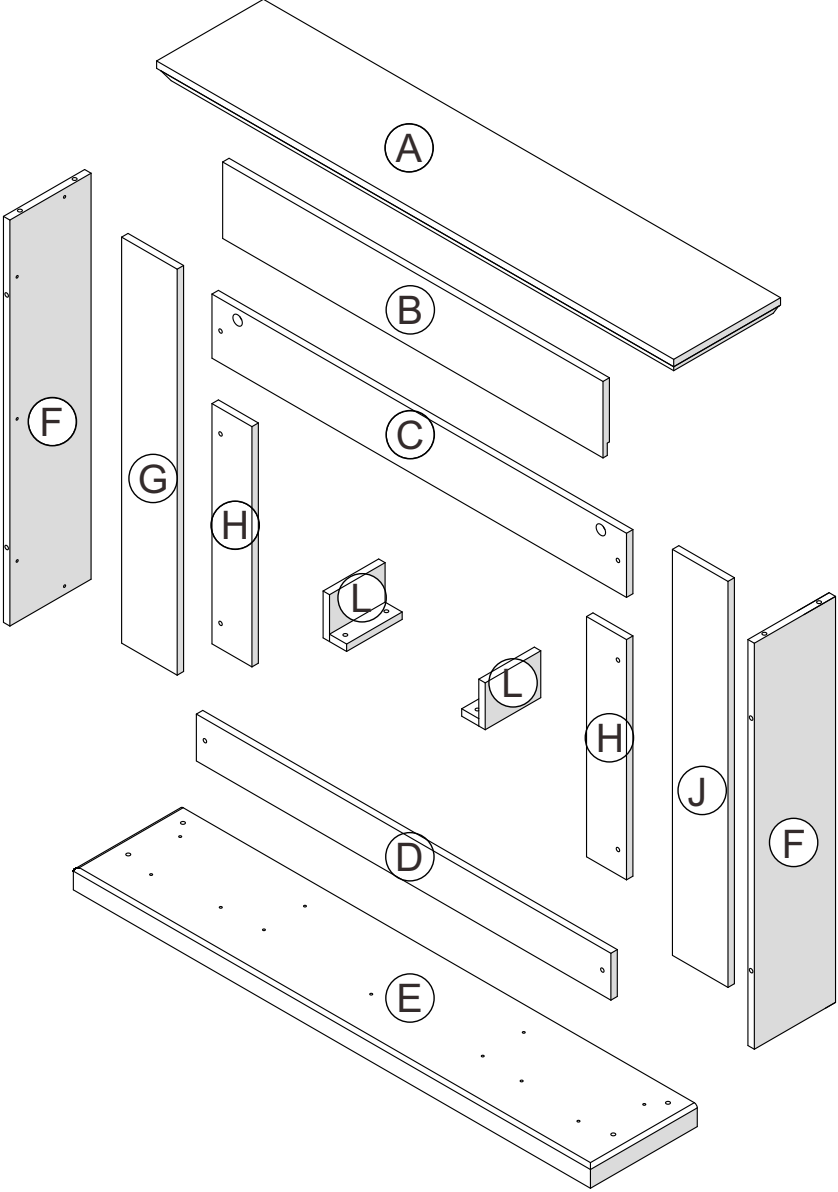
# FIREPLACE MANTEL

## ASSEMBLY INSTRUCTIONS





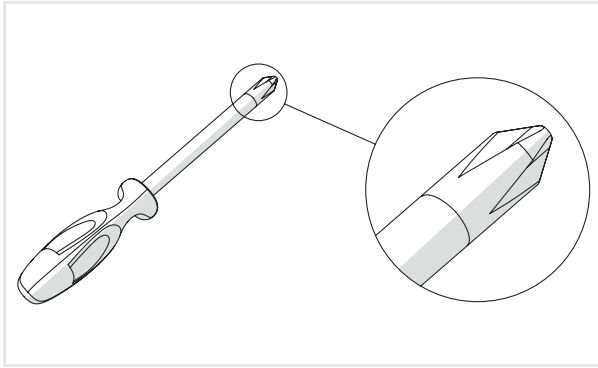
# PARTS LIST


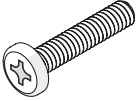
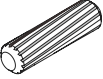
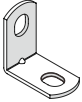
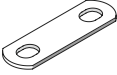




# PARTS AND ACCESSORIES

## Tools required:

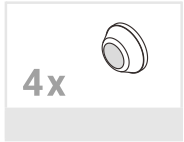
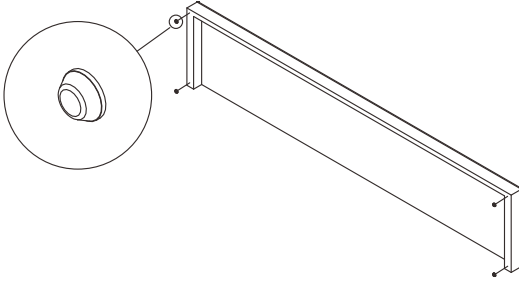
A screwdriver will be needed.



<b>MT376B</b>	 <b>45 x</b> M6x12mm	 <b>13 x</b> M6x28mm	 <b>13 x</b> ø 8x30mm
 <b>21 x</b>	 <b>3 x</b>	 <b>6 x</b>	 <b>13 x</b>

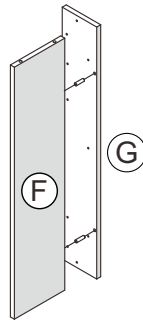
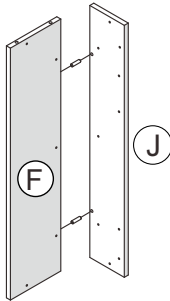
# ASSEMBLY INSTRUCTIONS

## 01



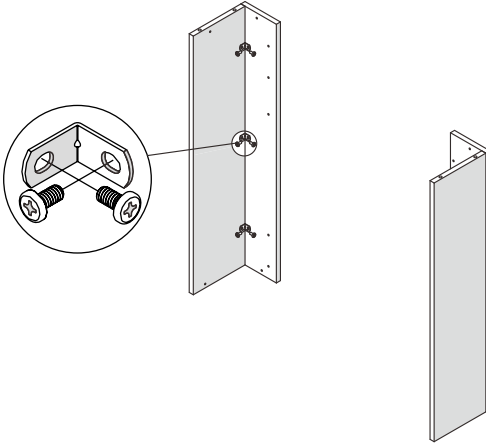
Carry out this assembly step on both sides

## 02



Carry out this assembly step on both sides

# 03



12x

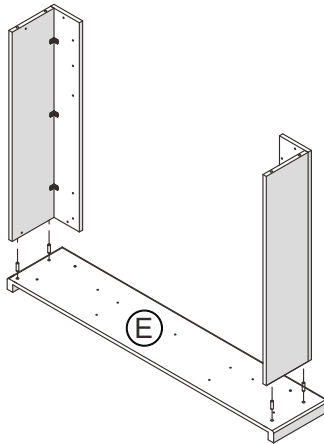
M6x12mm



6x

Carry out this assembly step on both sides

# 04

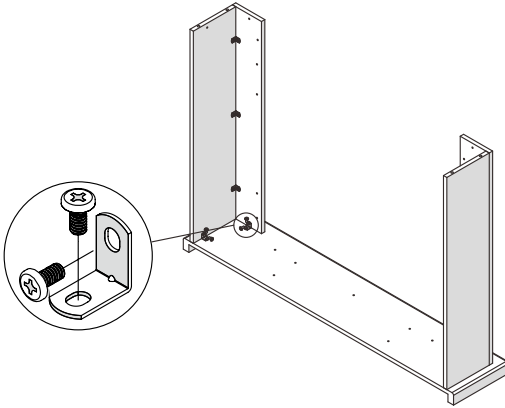


4x

ø 8x30mm

Carry out this assembly step on both sides

# 05



8x



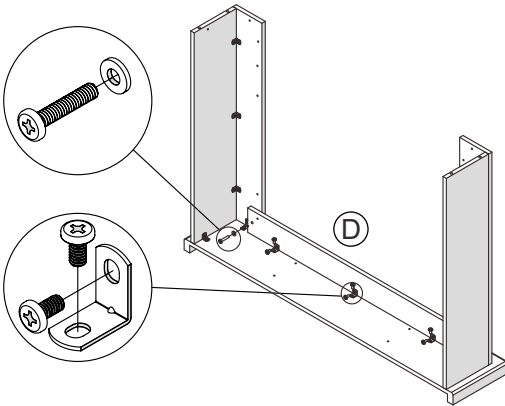
M6x12mm

4x



Carry out this assembly step on both sides

# 06



6x



M6x12mm

2x



M6x28mm

3x

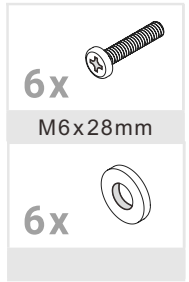
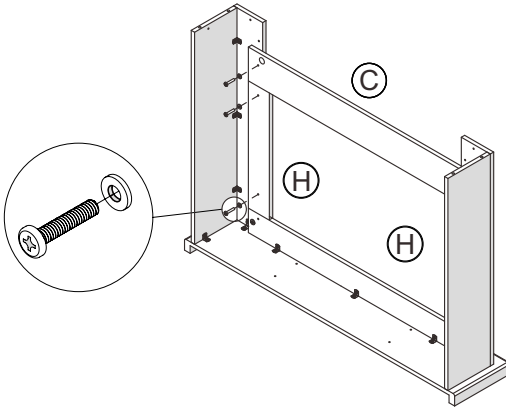


2x



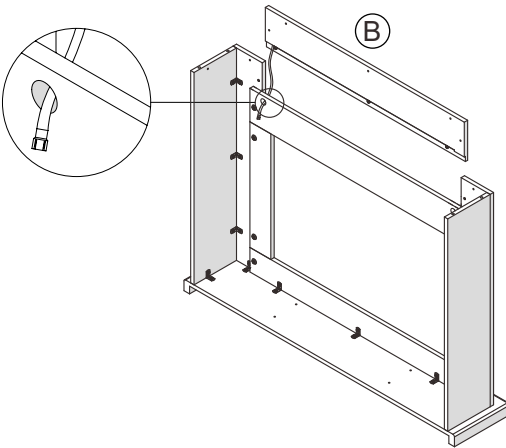
Carry out this assembly step on both sides

# 07

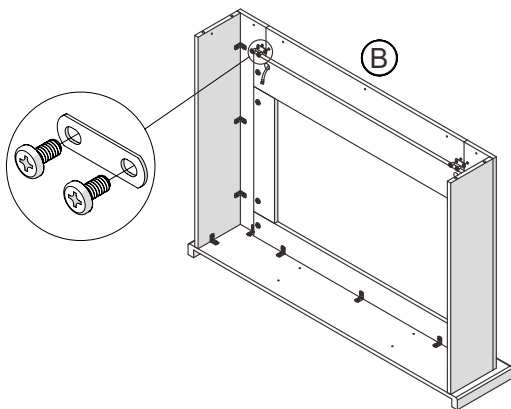


Carry out this assembly step on both sides

# 08



# 09



4x



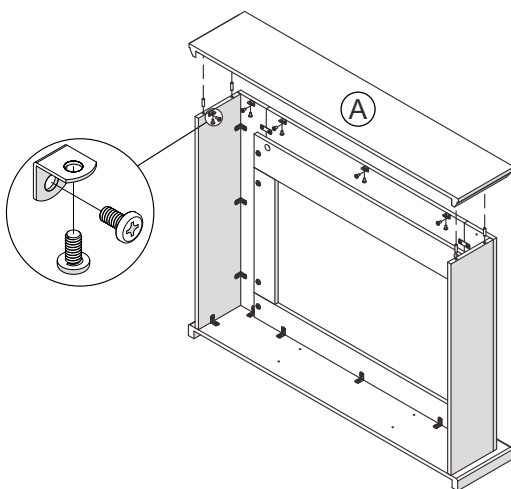
M6x12mm

2x



Carry out this assembly step on both sides

# 10



14x



M6x12mm

7x



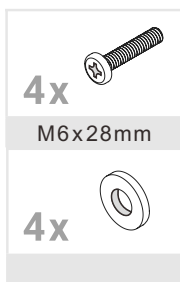
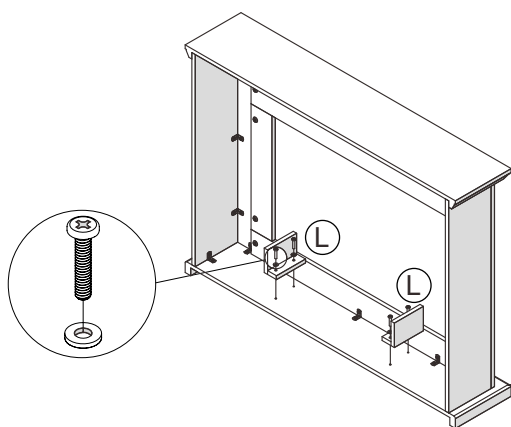
4x



ø 8x30mm

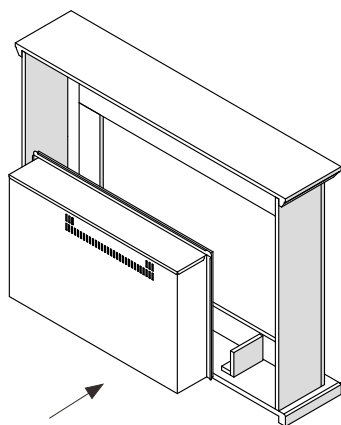
Carry out this assembly step on both sides

# 11



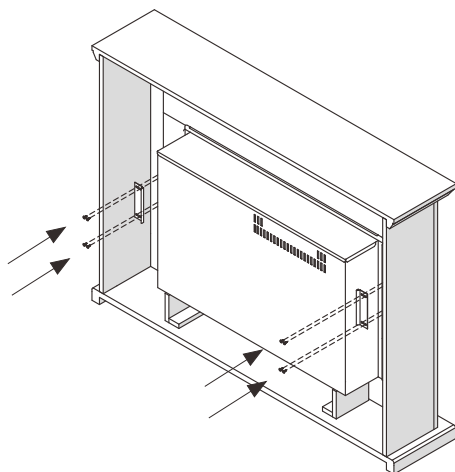
Carry out this assembly step on both sides

# 12



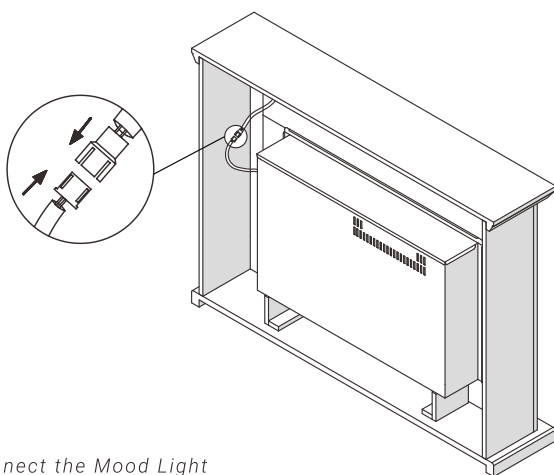
*Rear side of the mantel*

# 13



Use 8 pcs ST3.5x12 screws

# 14



Connect the Mood Light

