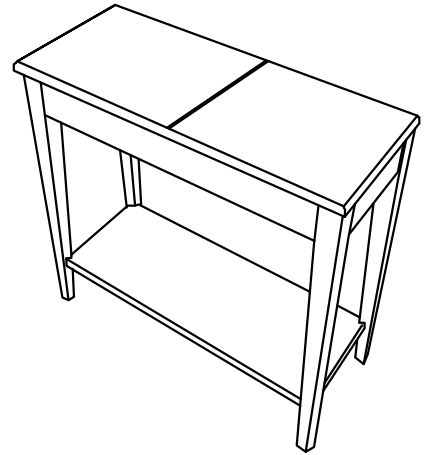


Assembly Instructions

PACKAGED

- | | |
|--|-------------------|
| (A) 4-Bolt $\square 1/4'' \times 1-1/2''$ L | (E) 4-Wood Screws |
| (B) 4-Lock Washer $\square 1/4''$ | (F) 1-Table Top |
| (C) 4-Flat Washer $\square 1/4'' \times 16$ mm | (G) 4- Legs |
| (D) 4- Buttons | (H) 1- Shelf |



Read all instructions before starting assembly.

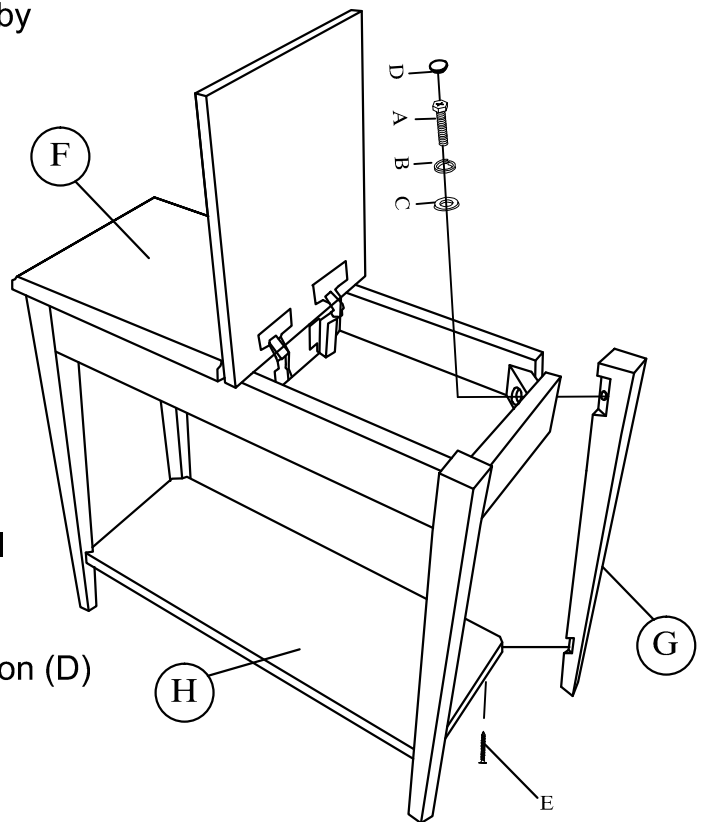
Step #1 Checked all the components listed in "packaged" are included. Carefully lay the Table Top assembly side (F) on a flat and protected work surface, being careful not to scratch the finish.

Step #2 Open both lids of the Table Top (F) and attach one Leg (G) against the corner block on top apron and attach by using Bolt (A), Lock Washer (B), Flat Washer (C) and loosely tightened. Repeat the procedure for the rest of the Leg (G). Then close the lids.

Step #3 Carefully turn the assembled Table Top (F) with Legs (G) over and attach the Shelf (H) to each Leg (G) by using Wood Screw (E).

Step #4 Turn the assembly unit into upright position. Open the top lids and securely tighten all Bolts (A) and Wood Screws (E).

Step # 5 Cover each screw hole by using the button (D) and close the top lids.



(*Caution:DO NOT OVERTIGHTEN

We hope this Storage table will be a useful and decorative addition to your home for years to come.