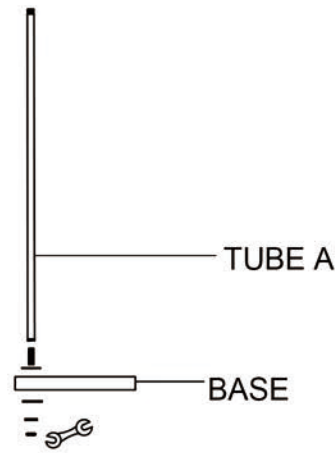
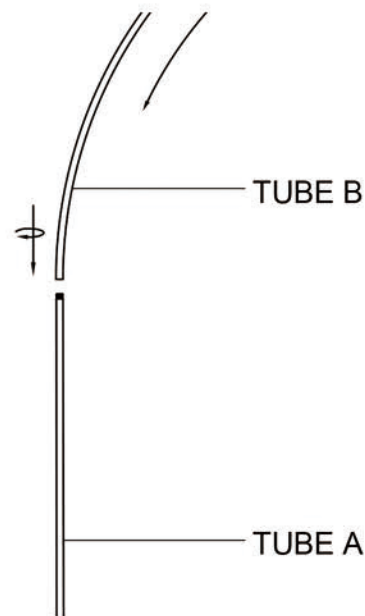


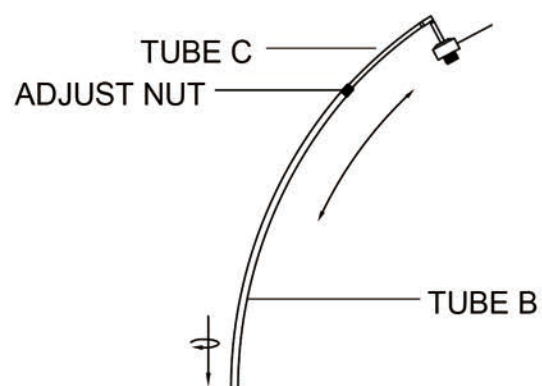
Assembly Instruction



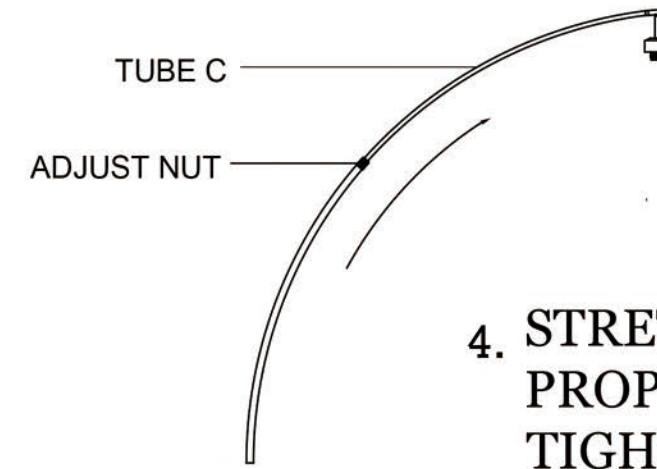
1. INSERT THE POLE(A) INTO LAMP BASE(B) AND TIGHTEN IT WITH WASHER&NUTS BY WRENCH



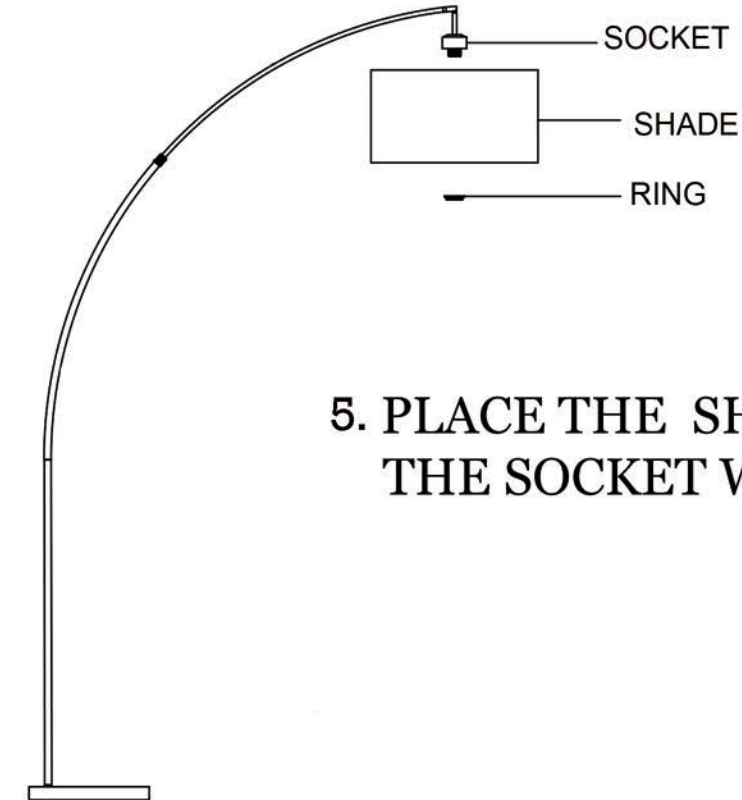
2. INSERT THE TUBE B INTO TUBE A AND TIGHTEN WITH THE SCREW.



3. Tube C is hidden inside Tube B and loosen the Adjust Nut to extend Tube C



4. STRETCH THE TUBE C TO PROPER LENGTH THEN TIGHTEN WITH THE ADJUST NUT.



5. PLACE THE SHADE A ONTO THE SOCKET WITH THE RING.