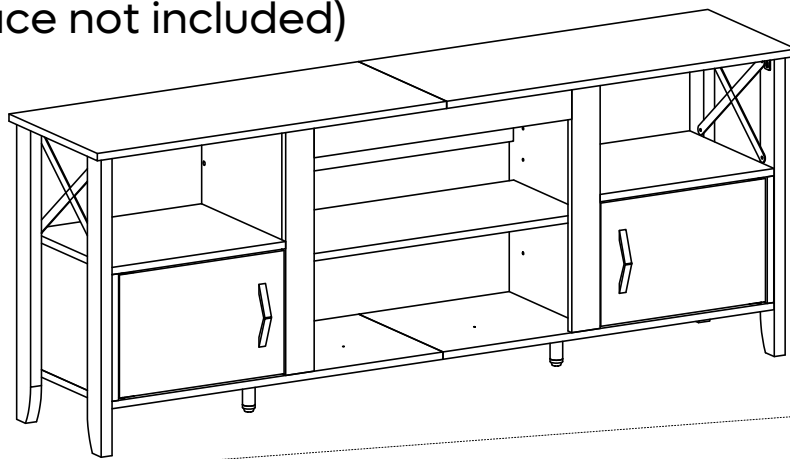


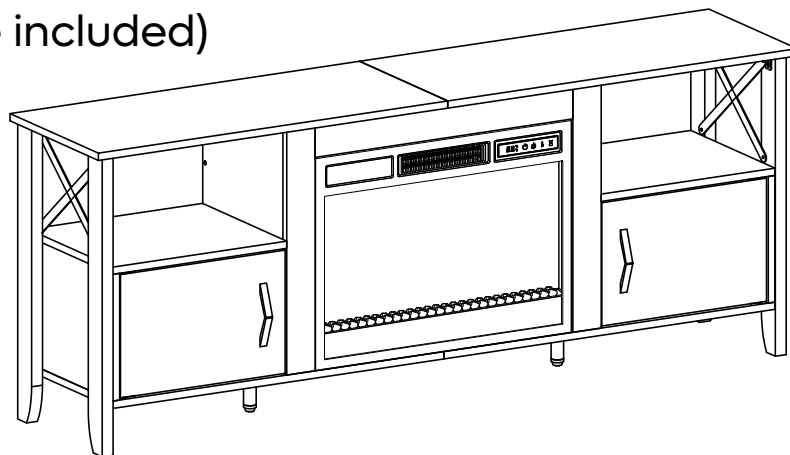
**ASSEMBLY
INSTRUCTION**

63" TV Stand/Fireplace TV stand

(Fireplace not included)



(Fireplace included)



HELPFUL HINTS

⚠️ BEFORE YOU START

- Inspect product packaging to ensure the appearance is good.
- Read the assembly instruction carefully and follow it step by step.
- To avoid any scratching, putting a soft blanket on the floor is suggested.
- Identify, sort and count all the parts with tags.
- Find out installation position according to the drawing and install it in correct steps.



OTHER

- People needed for assembly: 1-2.
- Estimated assembly time: 0.5-1h.

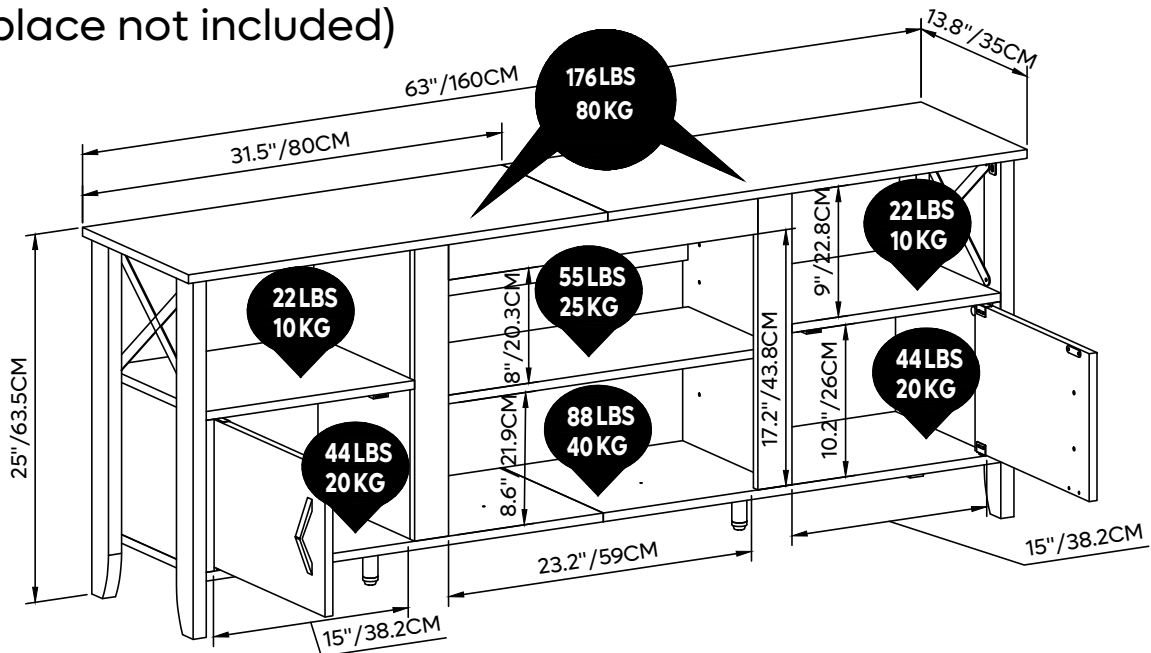
⚠️ CAUTION

- Be cautious when using a power drill or power screwdriver.
- Please be aware to slow down and stop when screw is nearly tight.
- Do Not use any harsh chemicals or abrasive cleaners for this item.
- Push, pull or drag this item carefully.

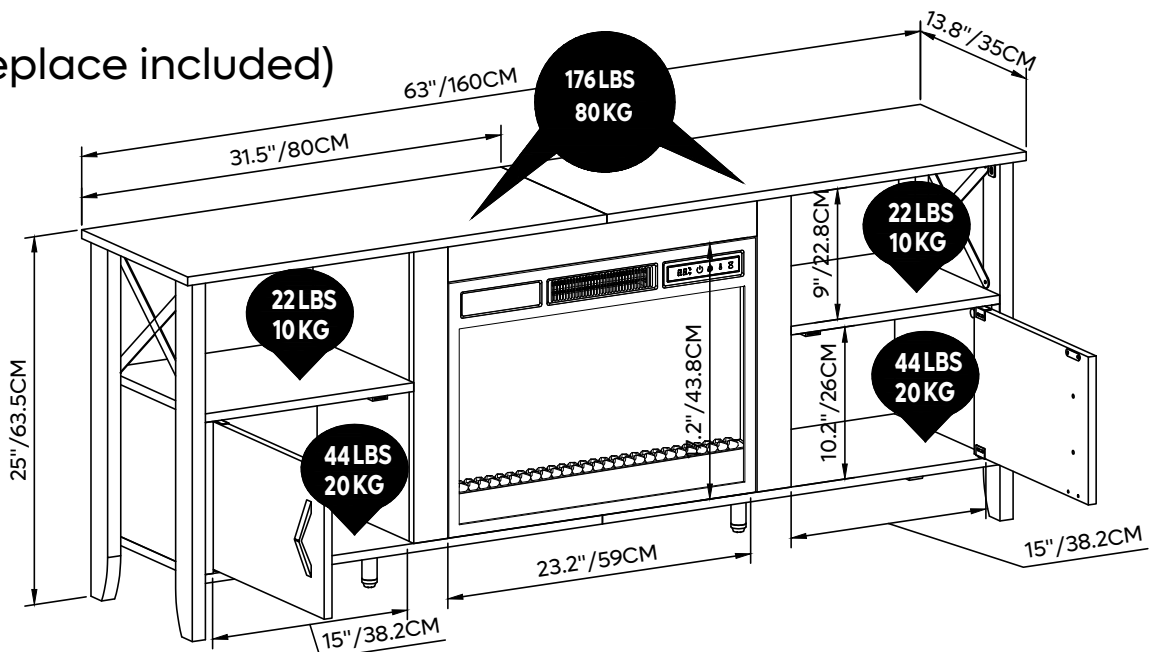
DETAILS

UNIT: INCH/CM

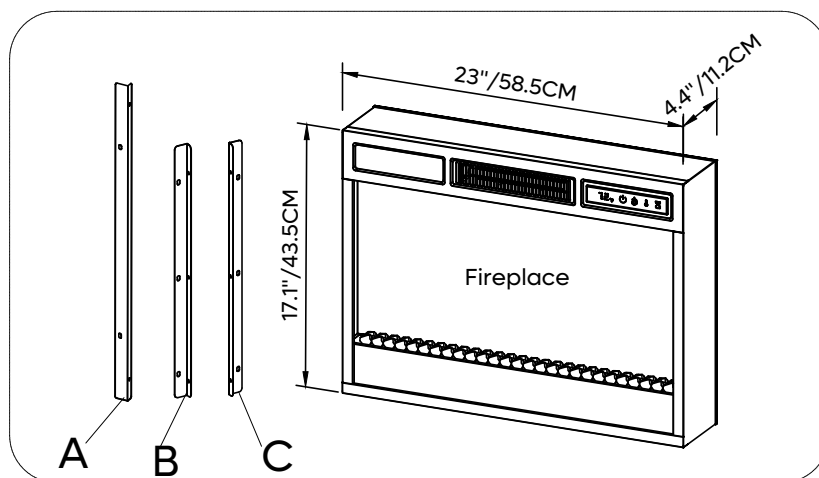
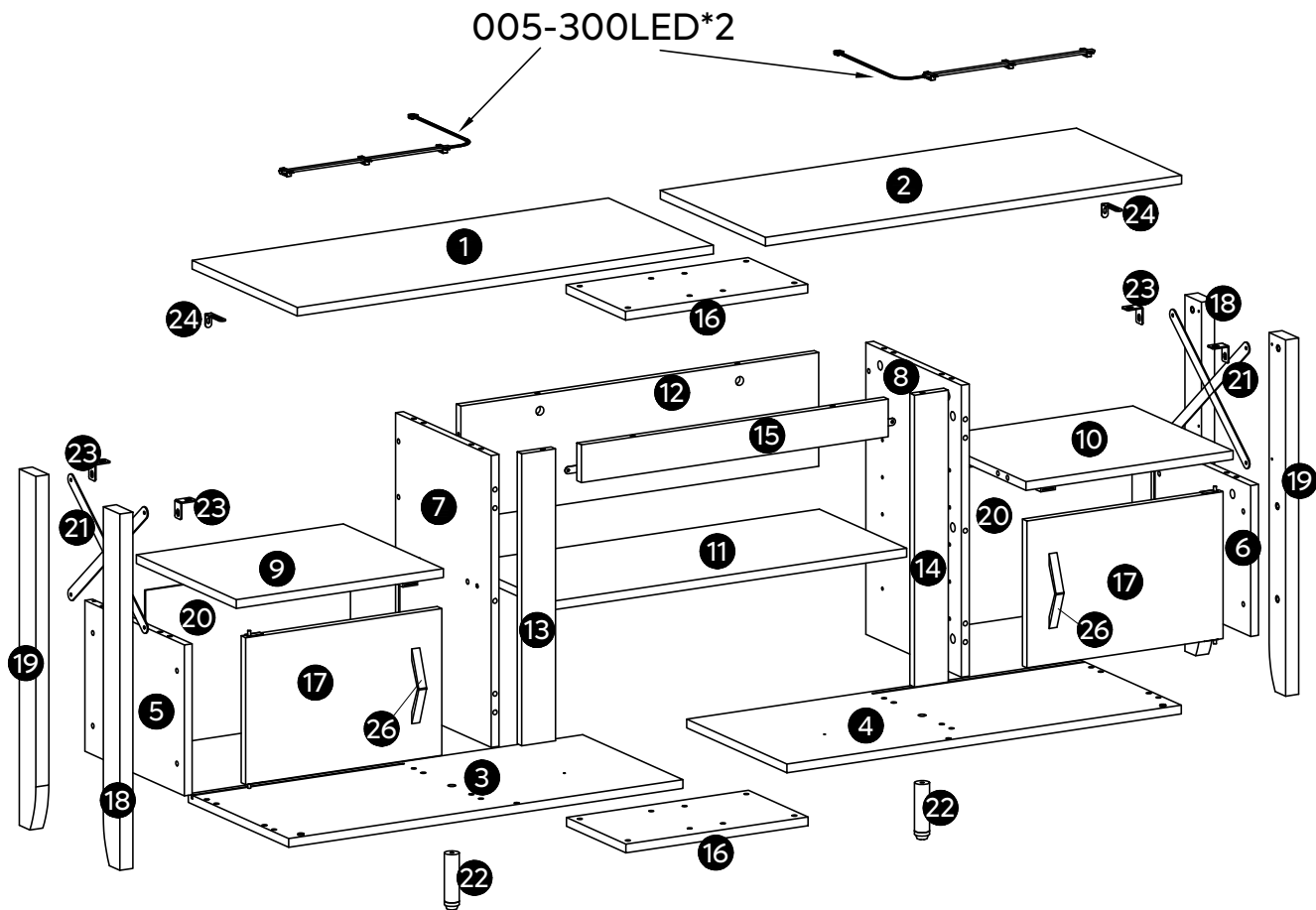
(Fireplace not included)



(Fireplace included)

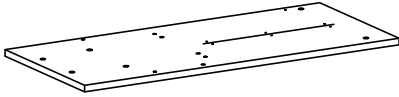


DETAILS



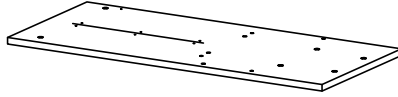
PART LIST

1



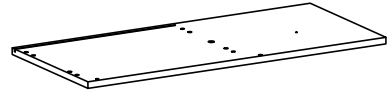
X1

2



X1

3



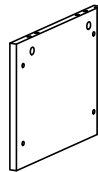
X1

4



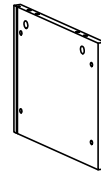
X1

5



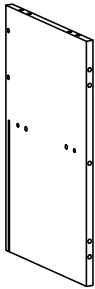
X1

6



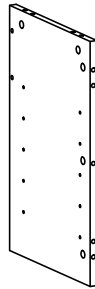
X1

7



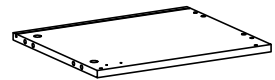
X1

8



X1

9



X1

10



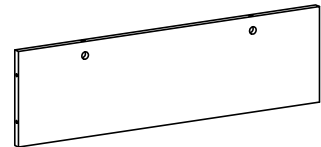
X1

11



X1

12



X1

13



X1

14



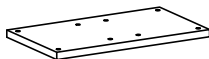
X1

15



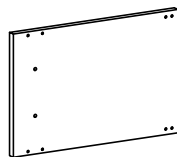
X1

16



X2

17


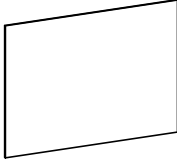




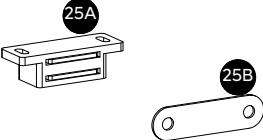

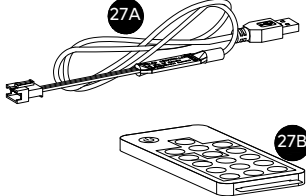
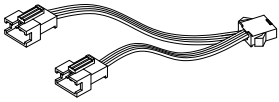
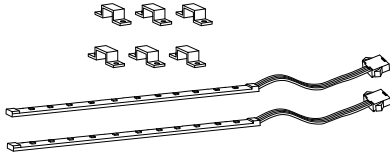


X2

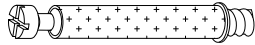
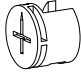
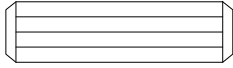

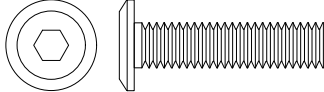
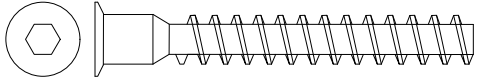

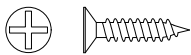
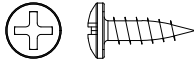
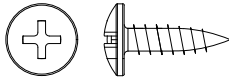
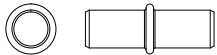

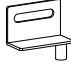


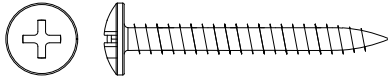
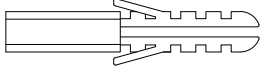
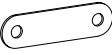
18

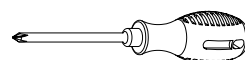


PART LIST

<p>19</p>  <p>X2</p>	<p>20</p>  <p>X2</p>	<p>21</p>  <p>X4</p>
<p>22</p>  <p>X2</p>	<p>23</p>  <p>X4</p>	<p>24</p>  <p>X4</p>
<p>25</p>  <p>X2</p>	<p>26</p>  <p>X2</p>	<p>27</p>  <p>X1</p>
<p>28</p>  <p>X1</p>	<p>005-300LED*2</p>  <p>X1</p>	

ACCESSORY LIST

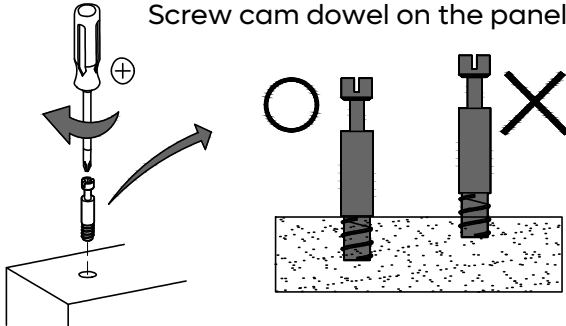
A	ST6x35mm	22+1	
B	Ø15mm	22+1	
C	Ø8x30mm	28+2	
D	M6x12mm	8+1	
E	M6x25mm	26+1	
F	ST7x50mm	12+1	
G	M4x20mm	4+1	
H	ST3x14mm	16+1	
I	ST3.5x12mm	24+1	
J	ST4x14mm	12+1	
K	Ø5x17mm	4+1	
L		2	
M		2	
N		2	
O		8+1	
P	ST4x35mm	2	
Q	Ø8mm	2	
R		2	



Detailed Installation for Accessory AB

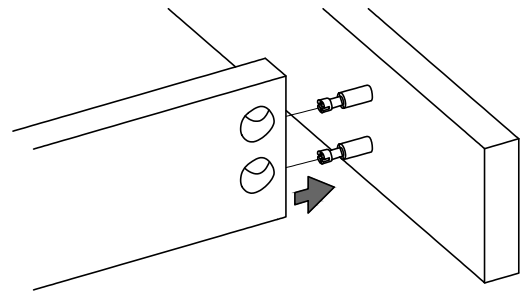
1

Screw cam dowel on the panel.



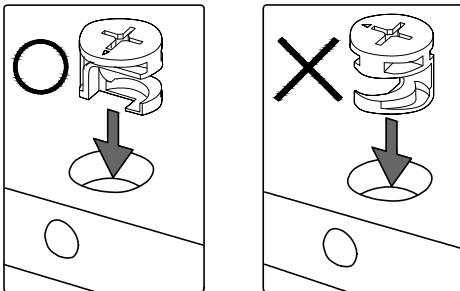
2

Place another panel via the dowel.



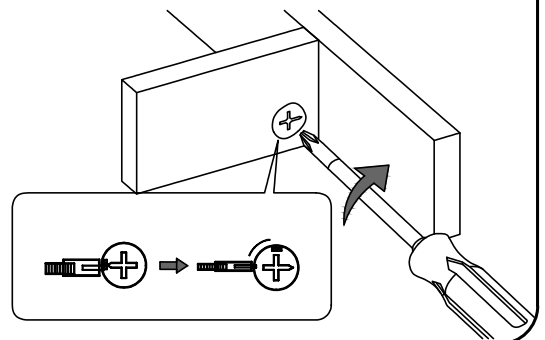
3

Pay attention to the direction of cam lock when putting it into hole.



4

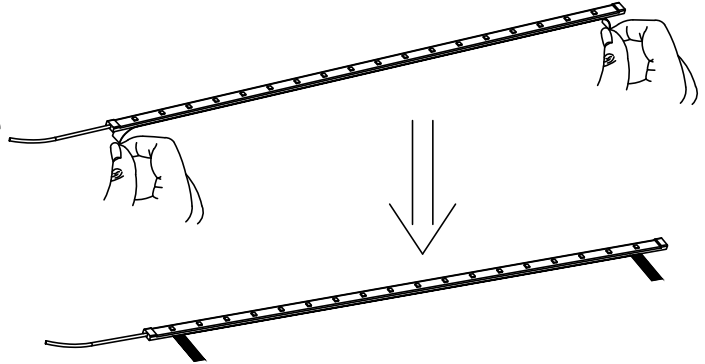
Tighten up cam lock clockwise until it stops.



Detailed Installation for LED Strip

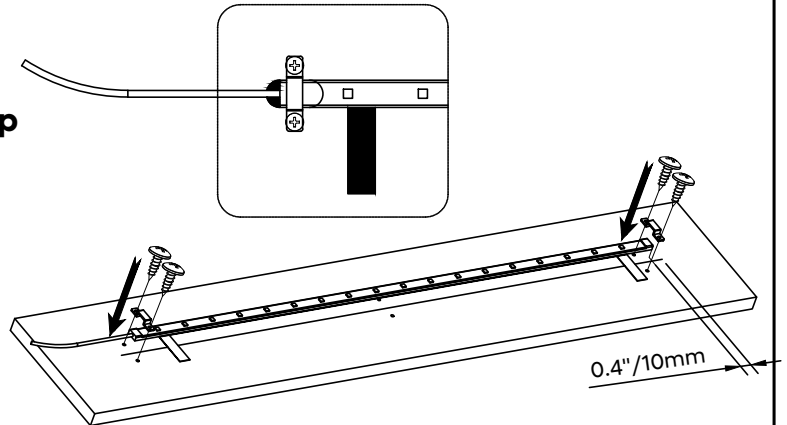
1

- Remove about 25mm (1") of adhesive tape at both ends of LED light strip.



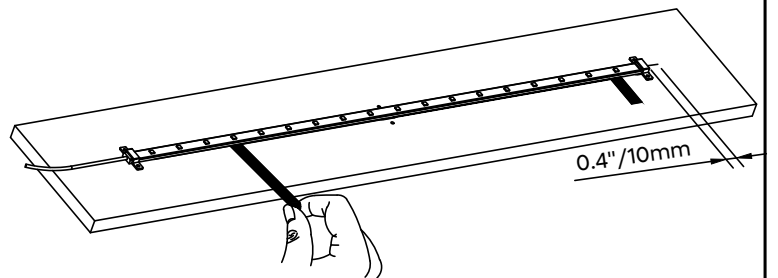
2

- The head and tail of the LED light strip are pasted in a straight line, and the fixing parts at both ends are locked with screws.



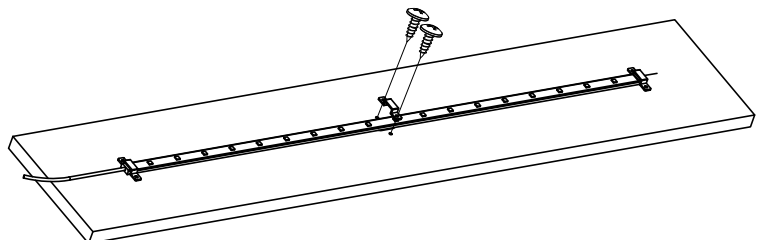
3

- Tear off the whole protective paper, and flatten the strip light so that the LED light strip is completely adhered to the wood.

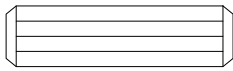
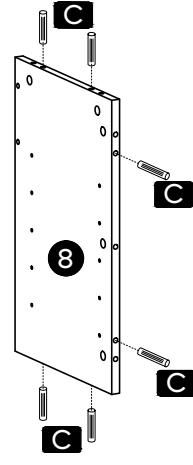
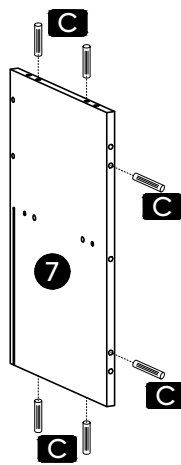
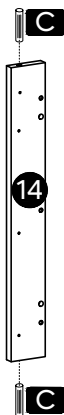
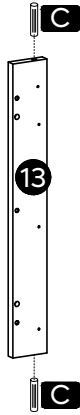


4

- Lock the remaining fixings.



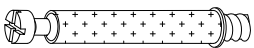
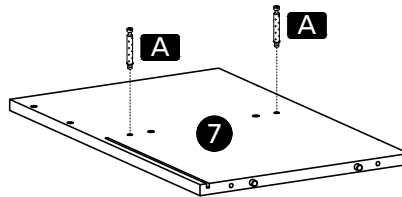
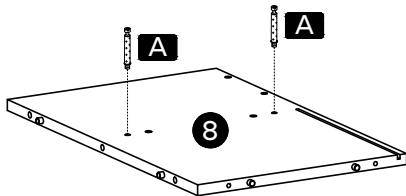
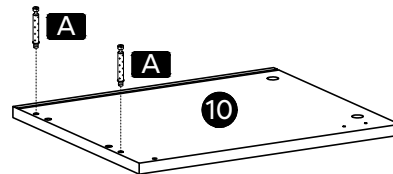
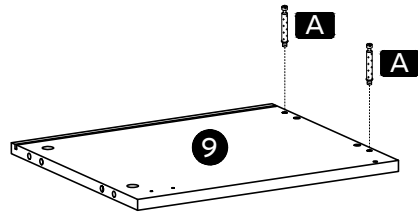
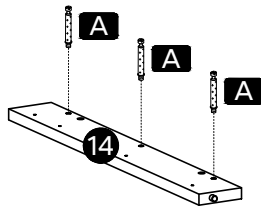
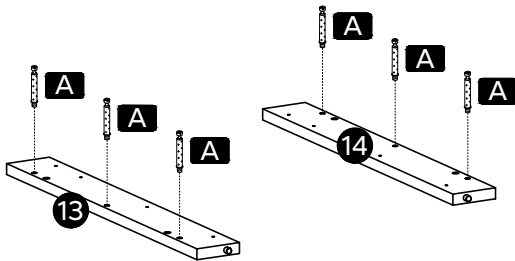
1



x 16

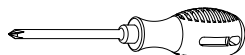
C Ø8x30mm

2

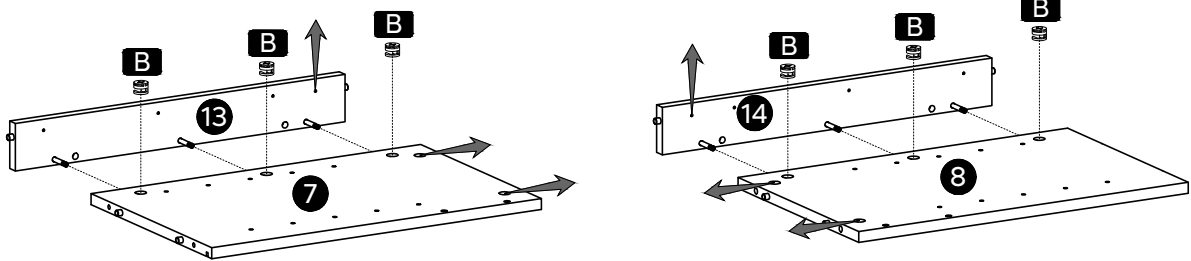


x 14

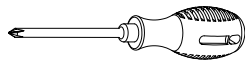
A ST6x35mm



3

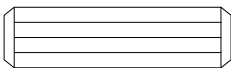
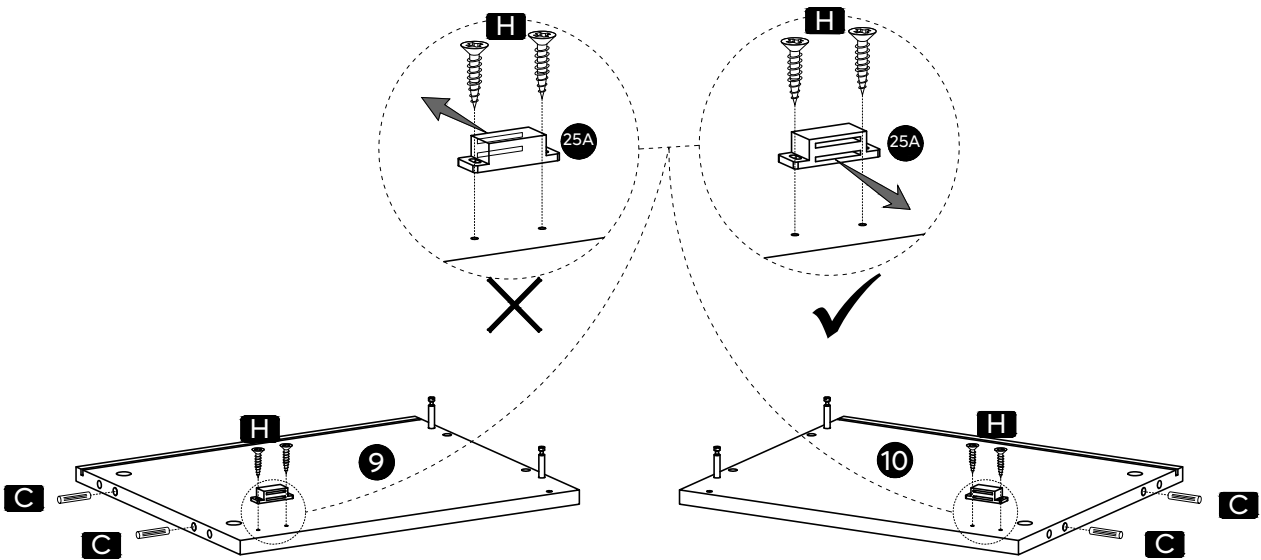


x 6



B Ø15mm

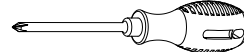
4



x 4



x 4

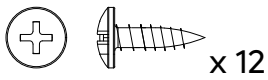
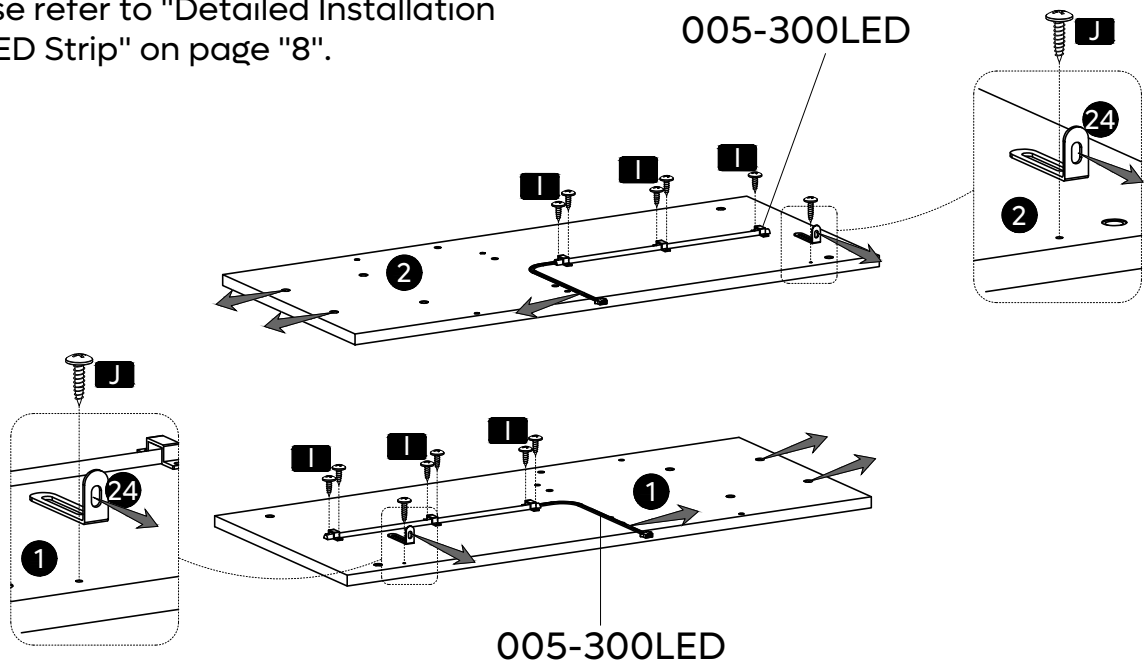


C Ø8x30mm

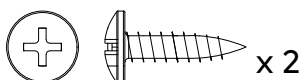
H ST3x14mm

5

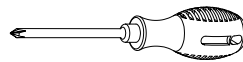
• Please refer to "Detailed Installation for LED Strip" on page "8".



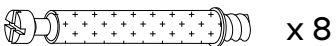
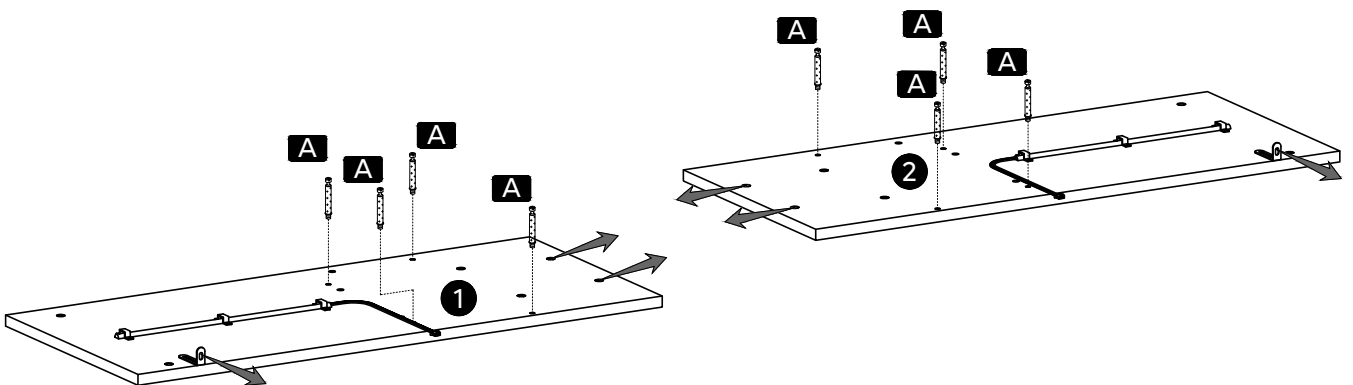
I ST3.5x12mm



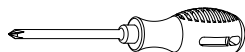
J ST4x14mm



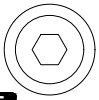
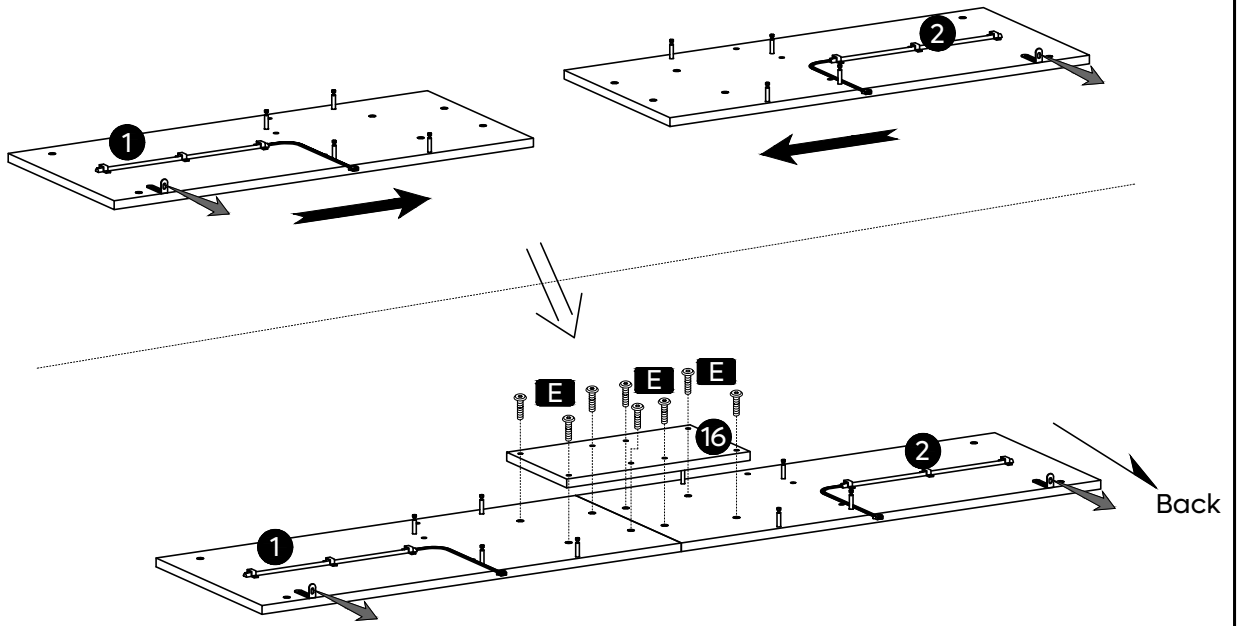
6



A ST6x35mm



7



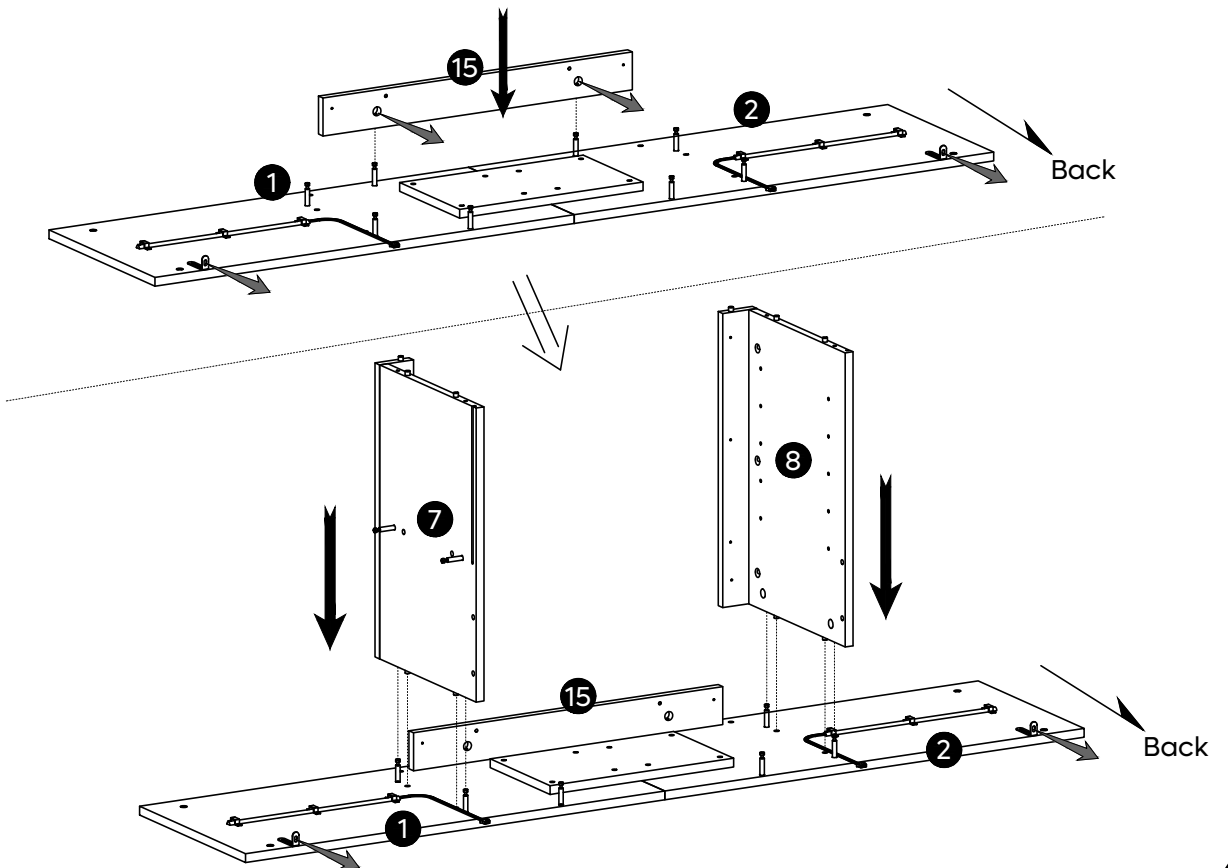
x 8



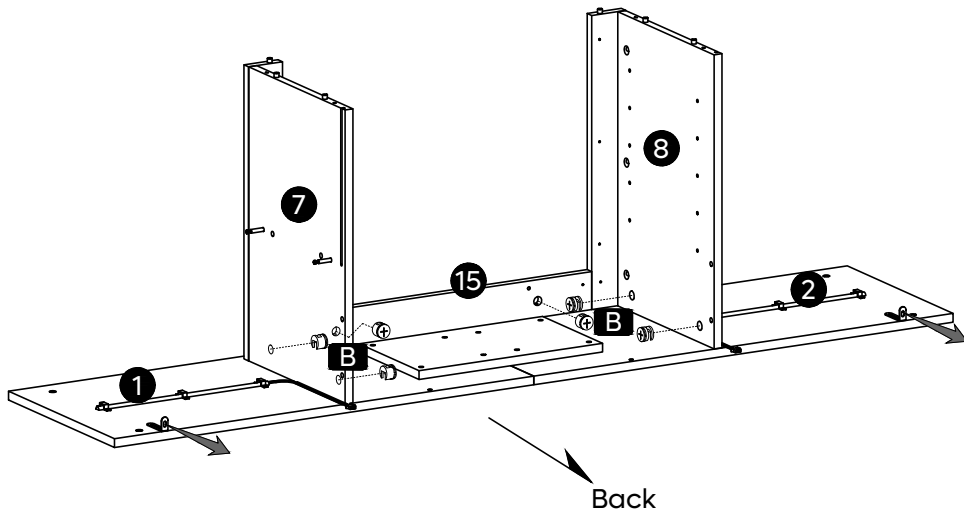
E

M6x25mm

8

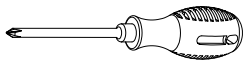


9

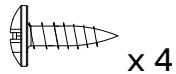
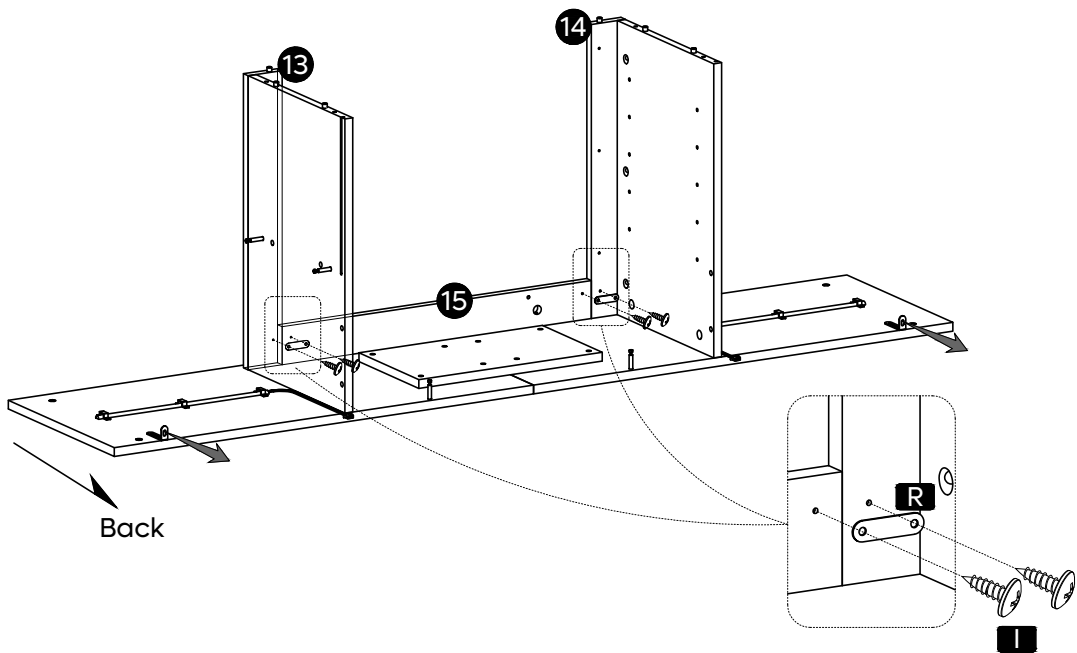


x 6

B Ø15mm



10



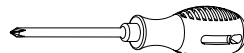
x 4

I ST3.5x12mm

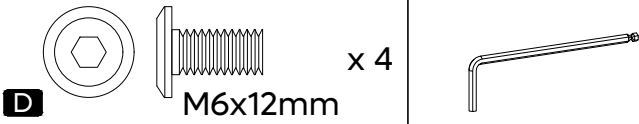
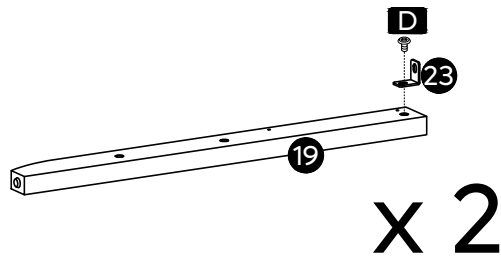
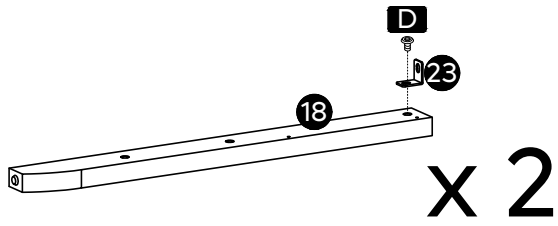


x 2

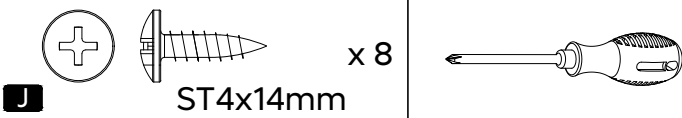
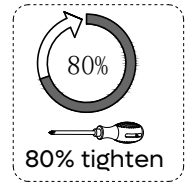
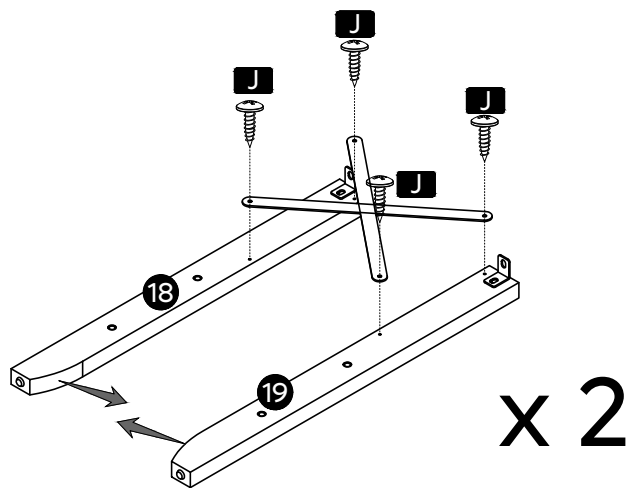
R



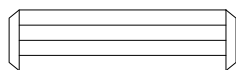
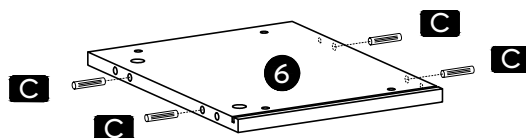
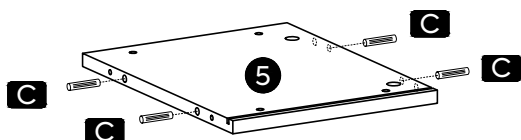
11



12



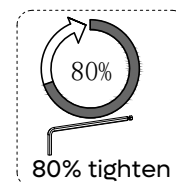
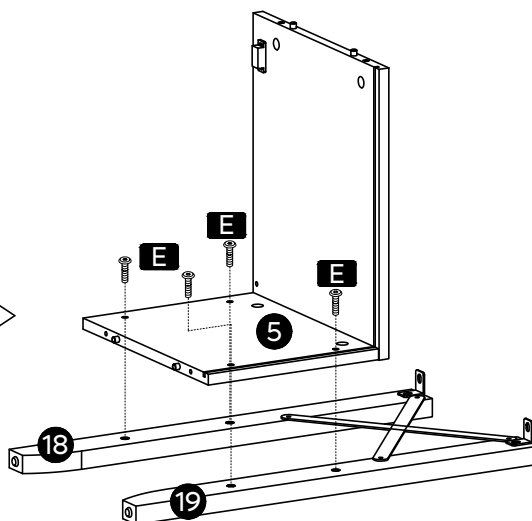
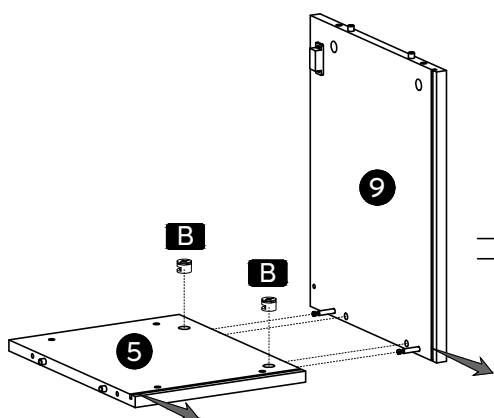
13



x 8

C Ø8x30mm

14



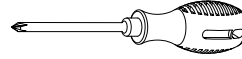
x 2

B Ø15mm

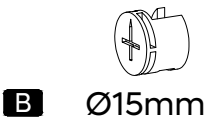
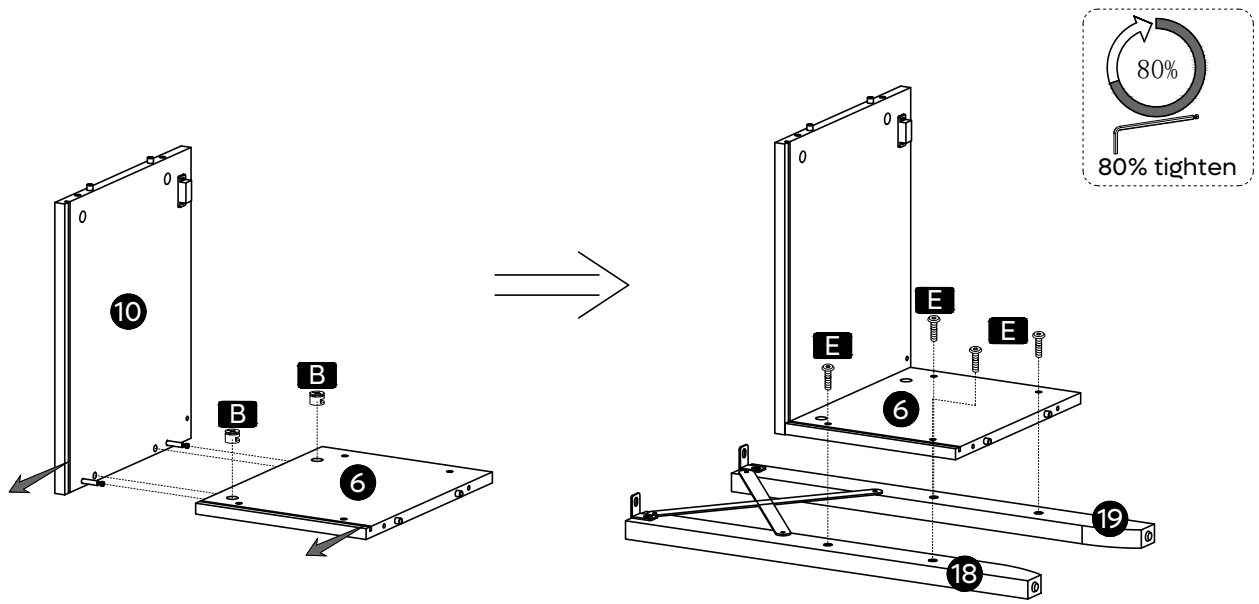


x 4

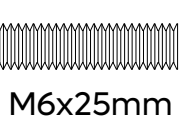
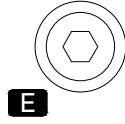
E M6x25mm



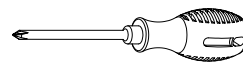
15



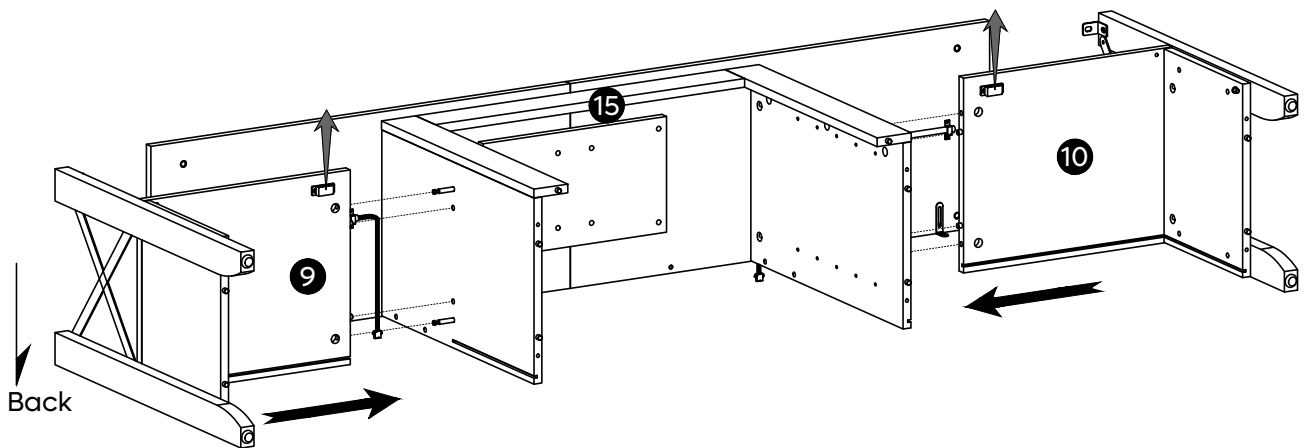
x 2



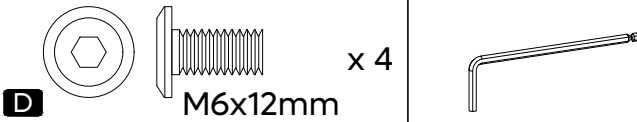
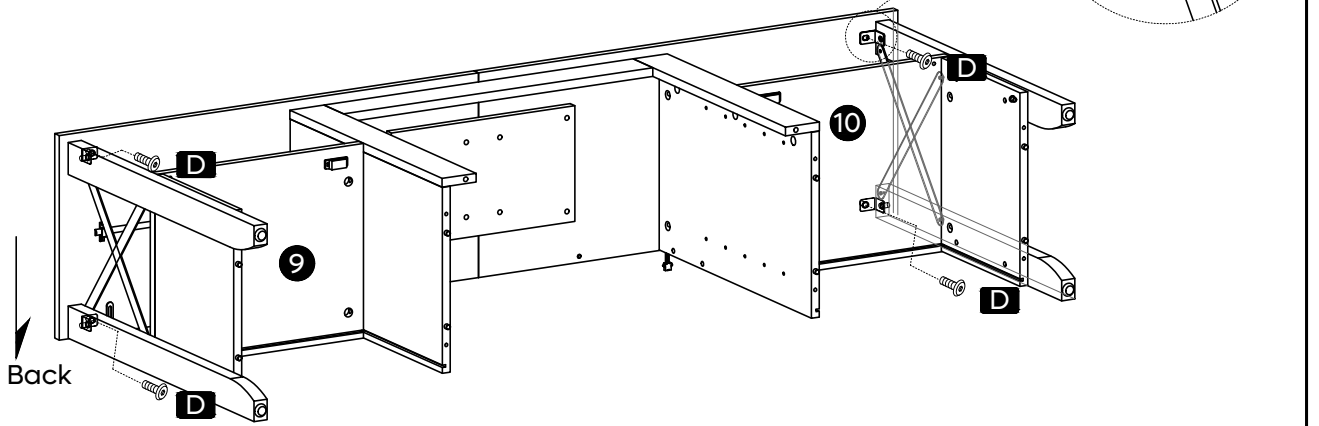
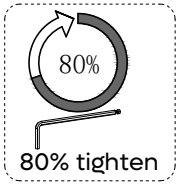
x 4



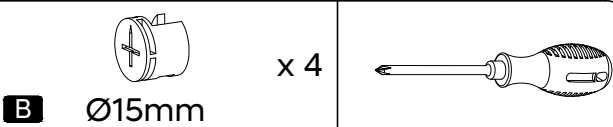
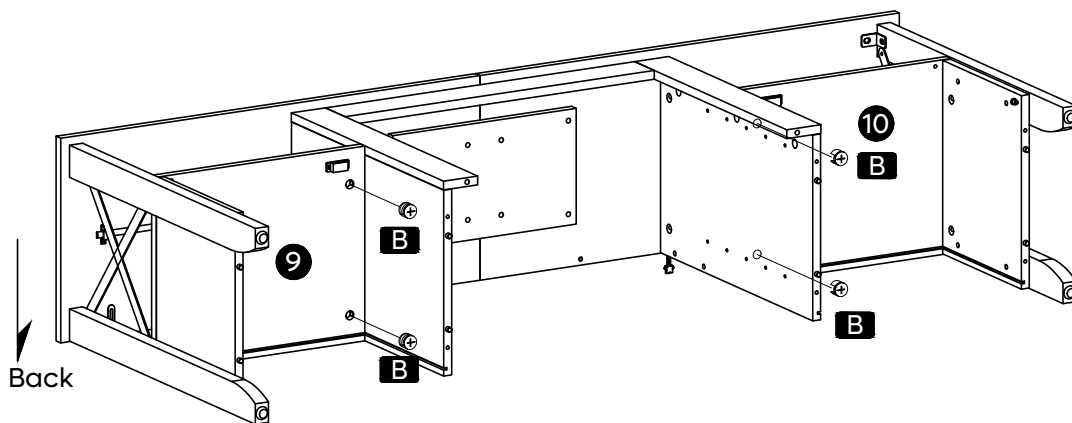
16



17

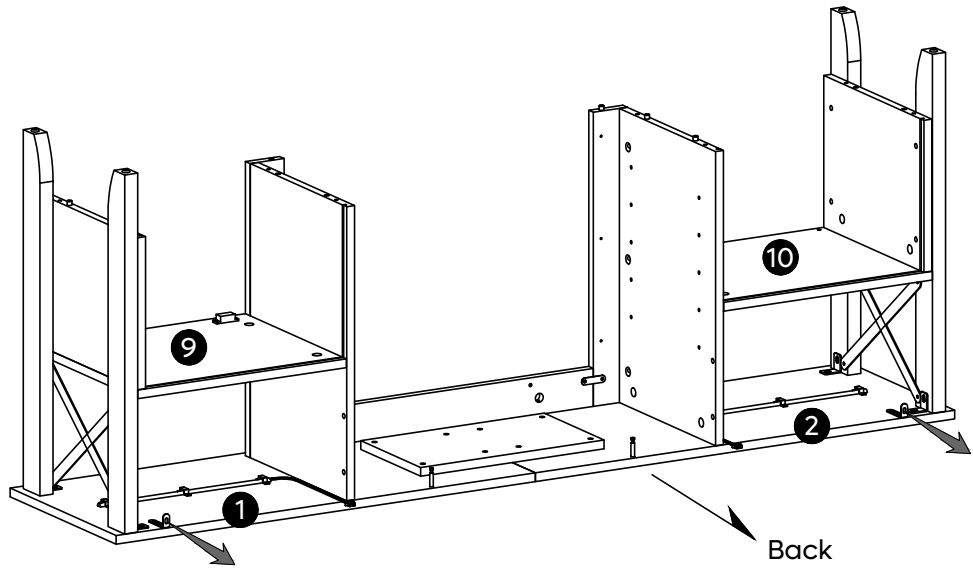


18

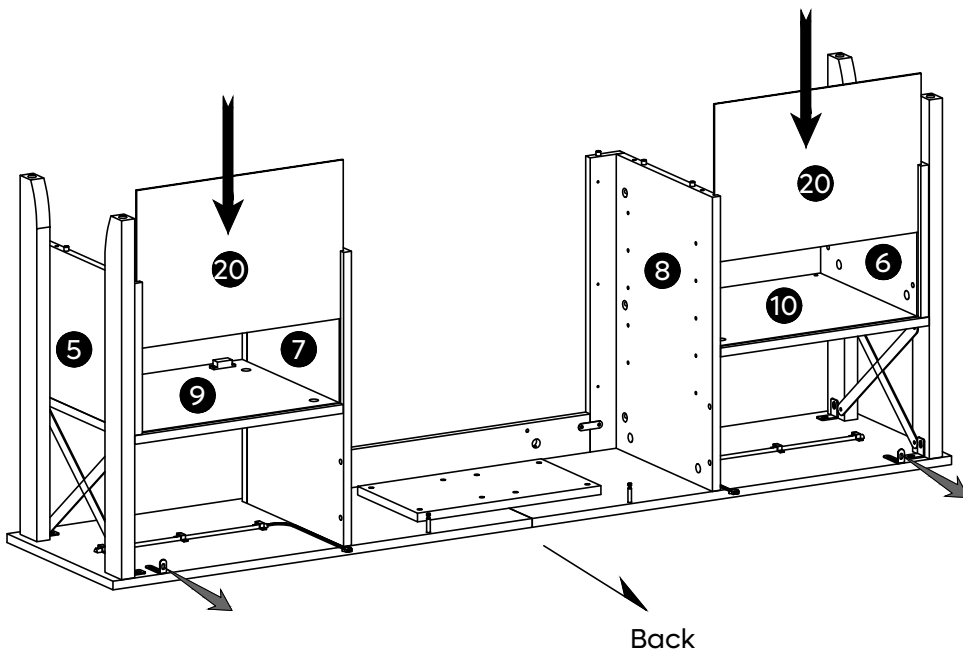


19

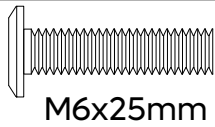
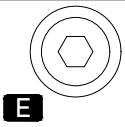
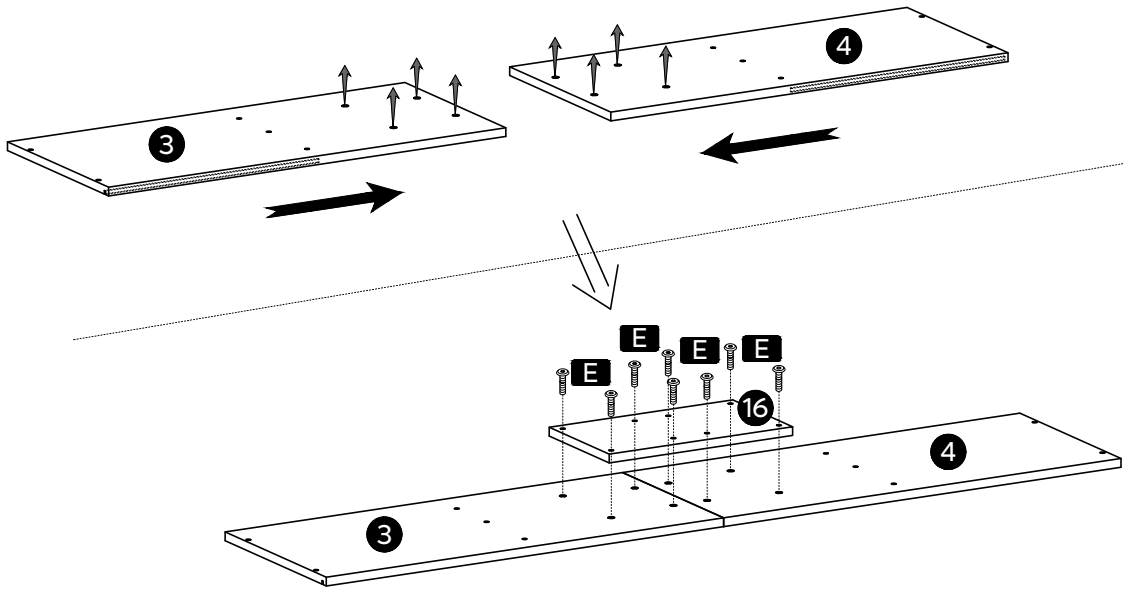
※ Turn over.



20



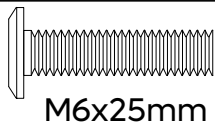
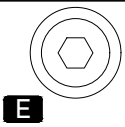
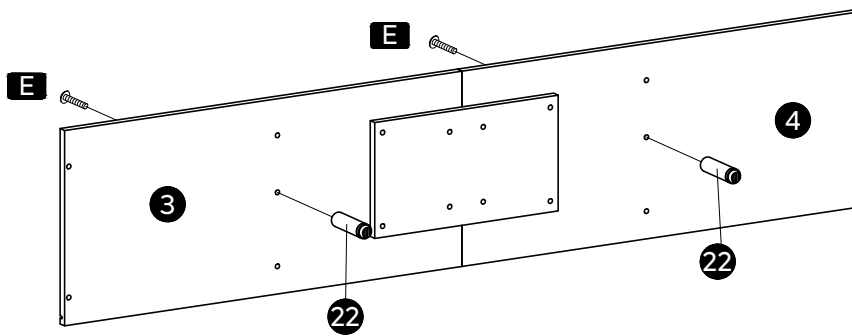
21



x 8



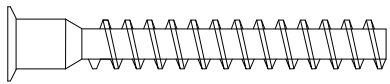
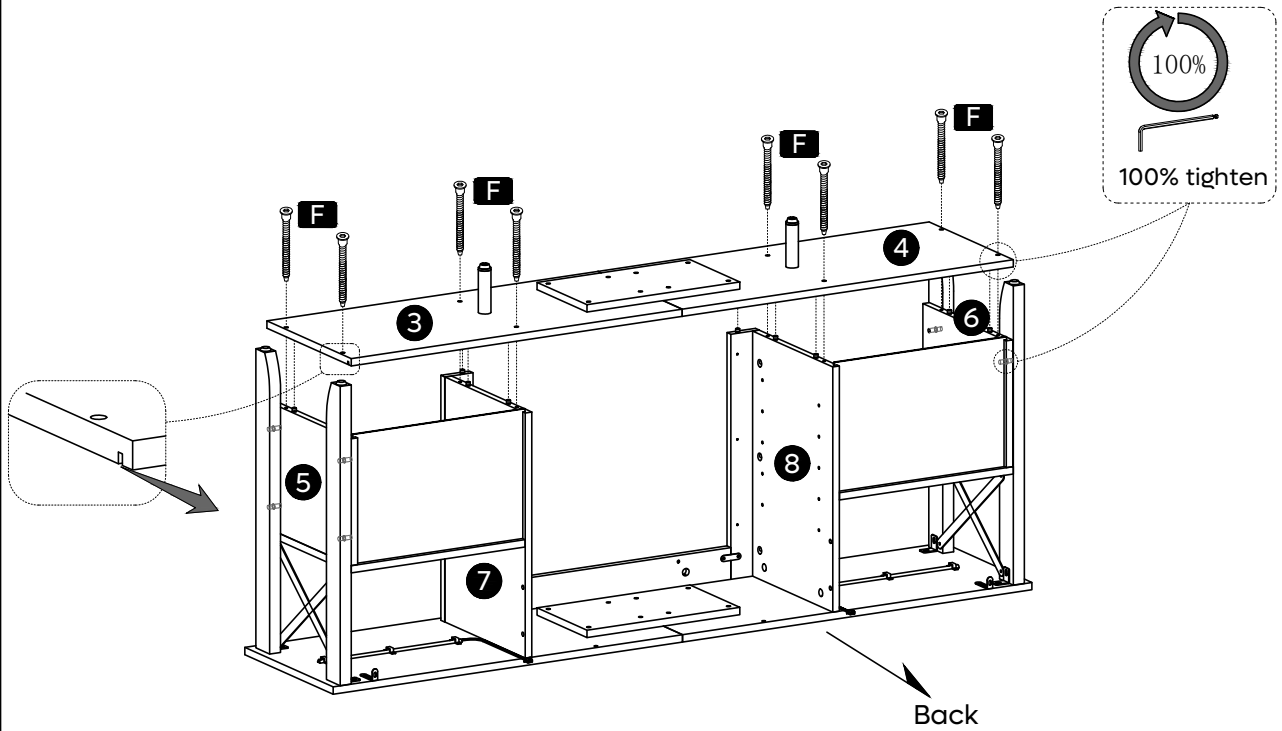
22



x 2



23

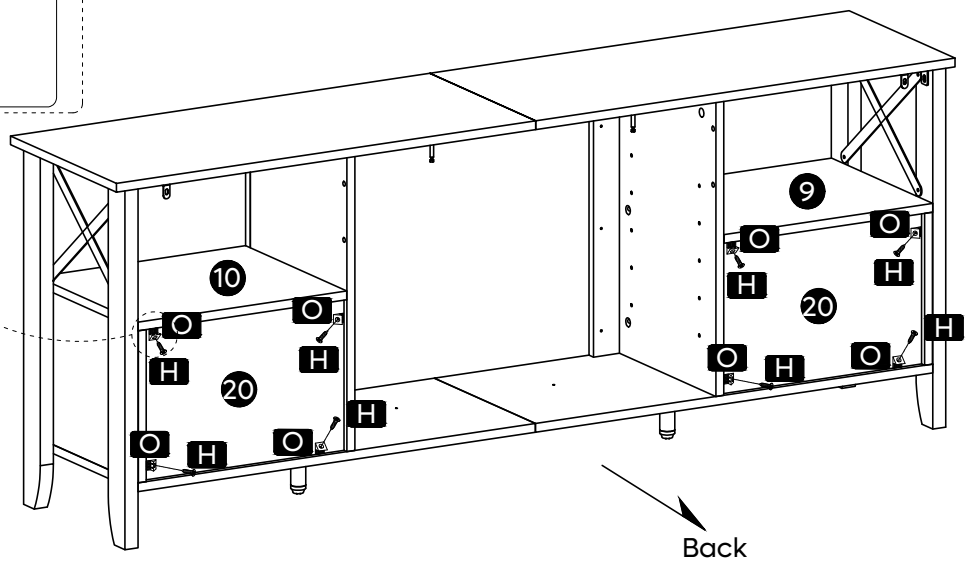
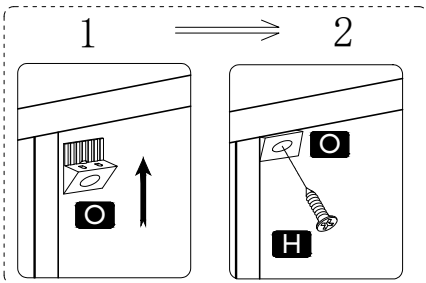


x 8

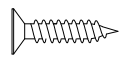
ST7x50mm



24

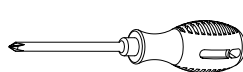


x 8

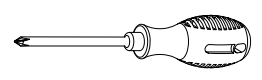
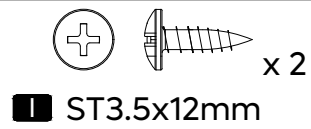
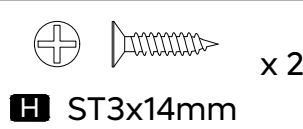
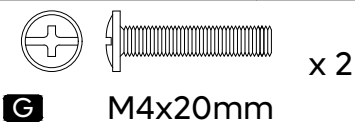
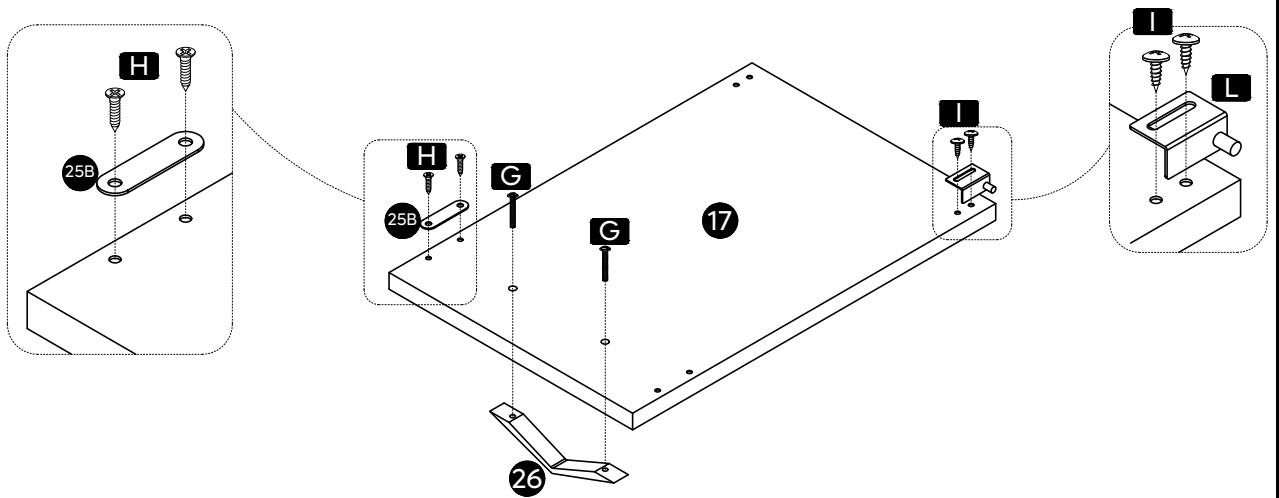


x 8

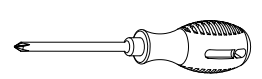
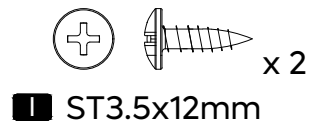
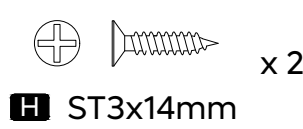
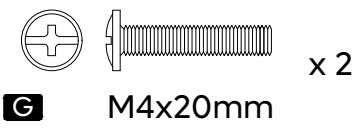
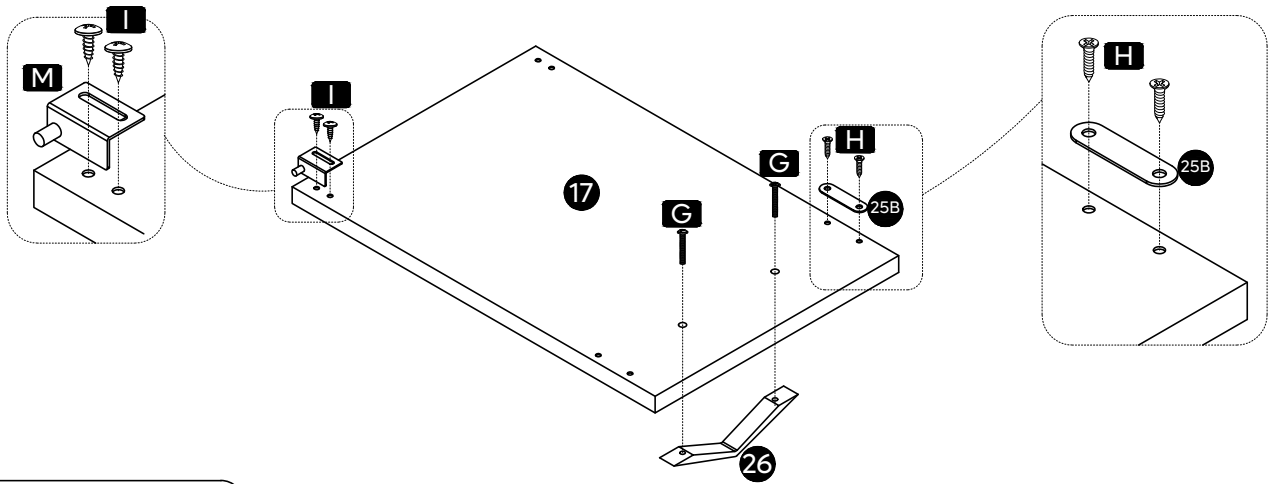
ST3x14mm



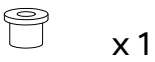
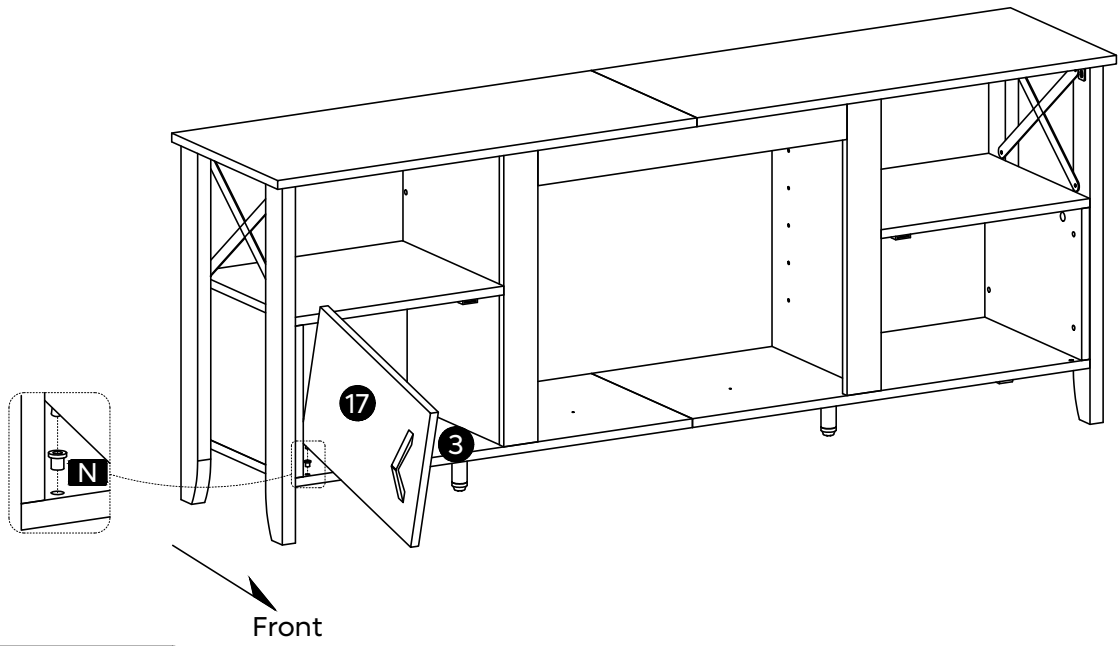
25



26

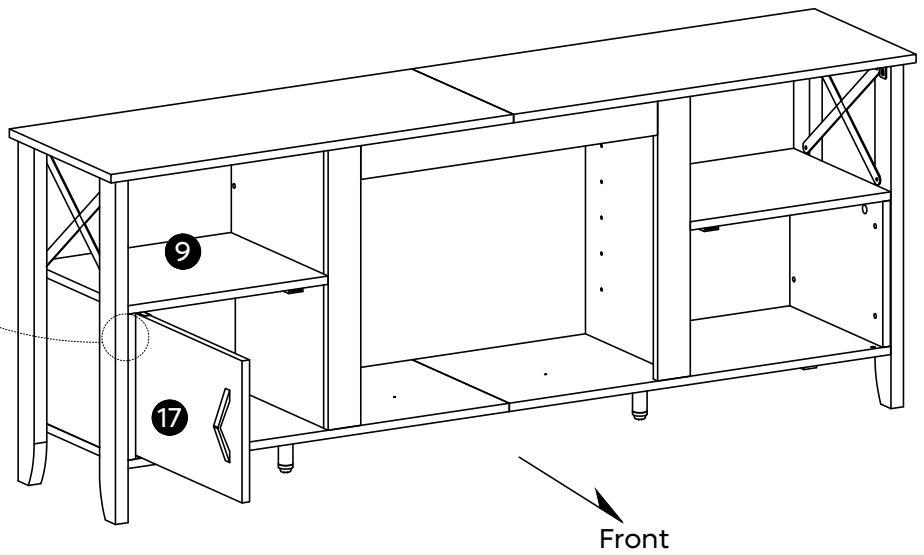
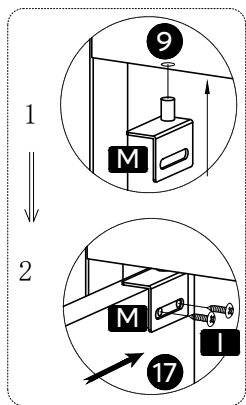


27

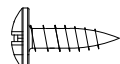


N

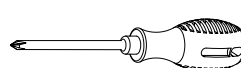
28



x1

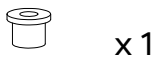
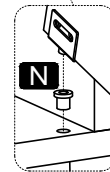
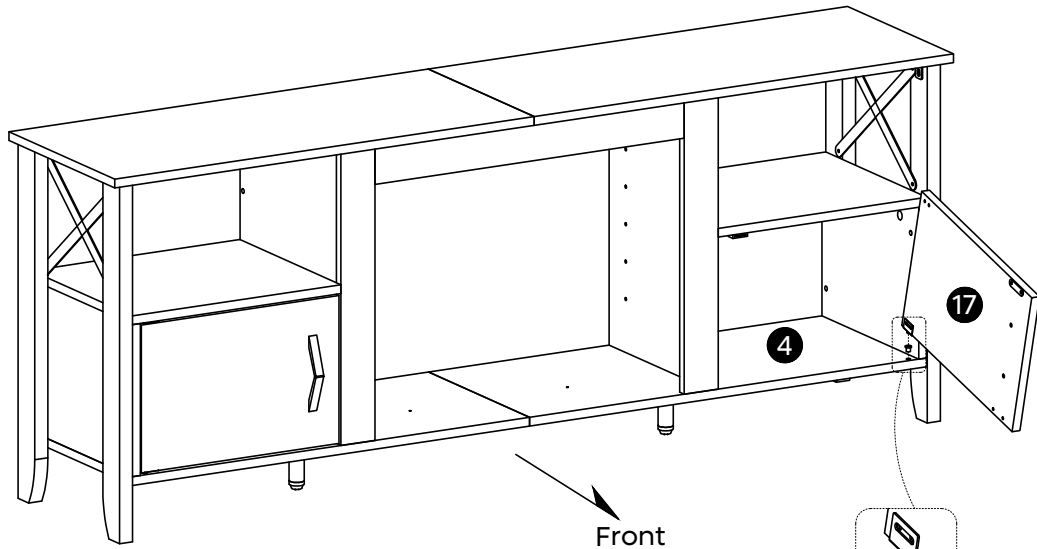


x2



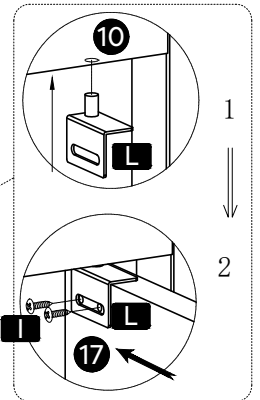
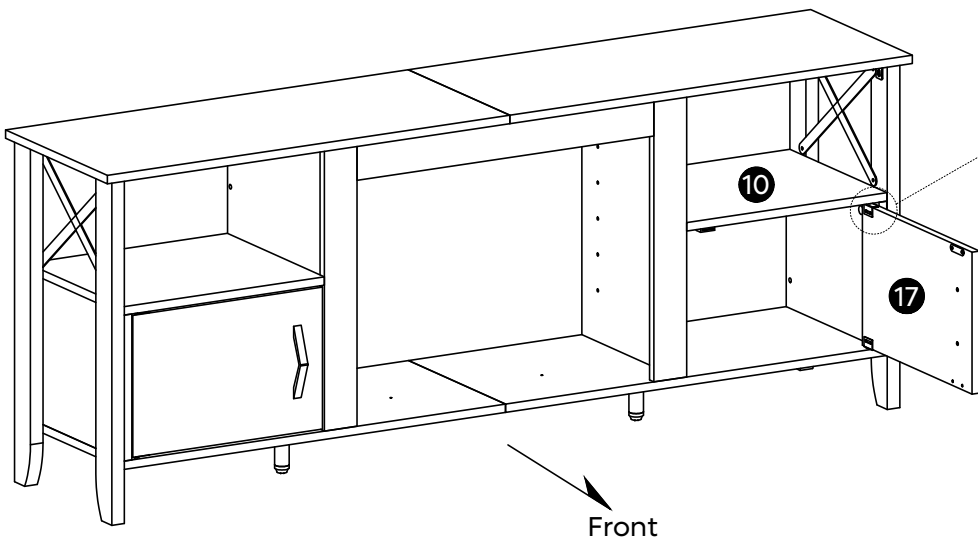
L ST3.5x12mm

29

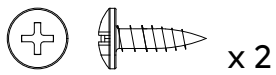


N

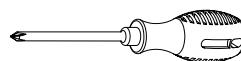
30

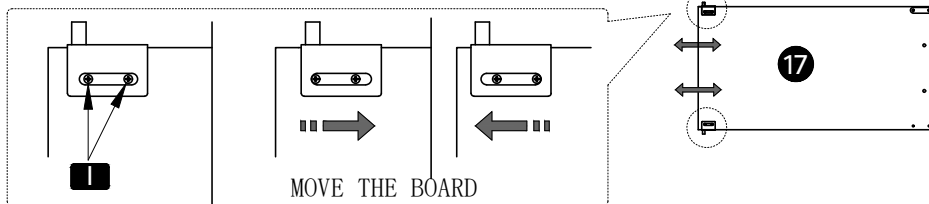
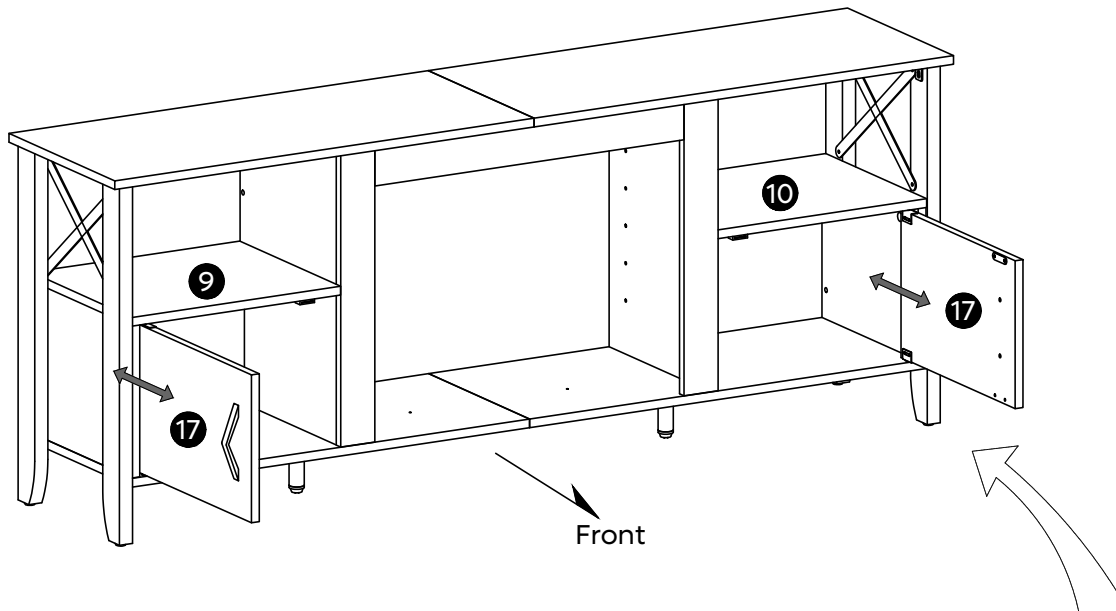


L



I ST3.5x12mm

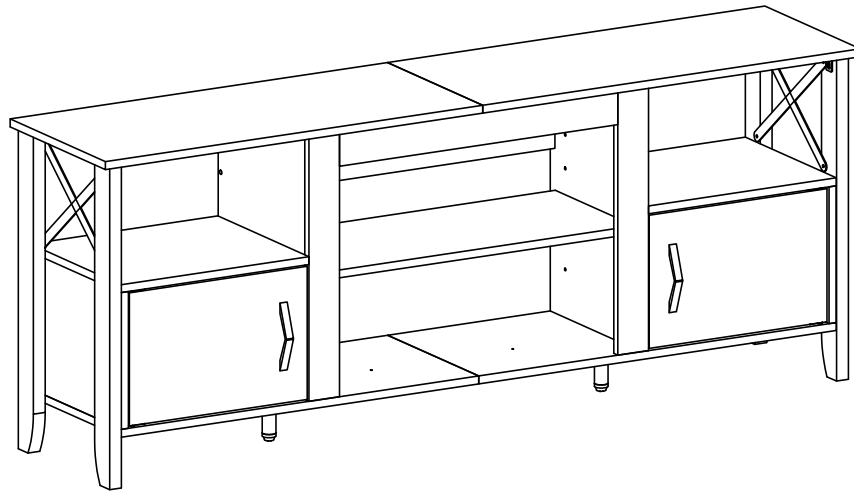




※Please adjust the pivot position slightly to make sure the gap between both doors are aligned

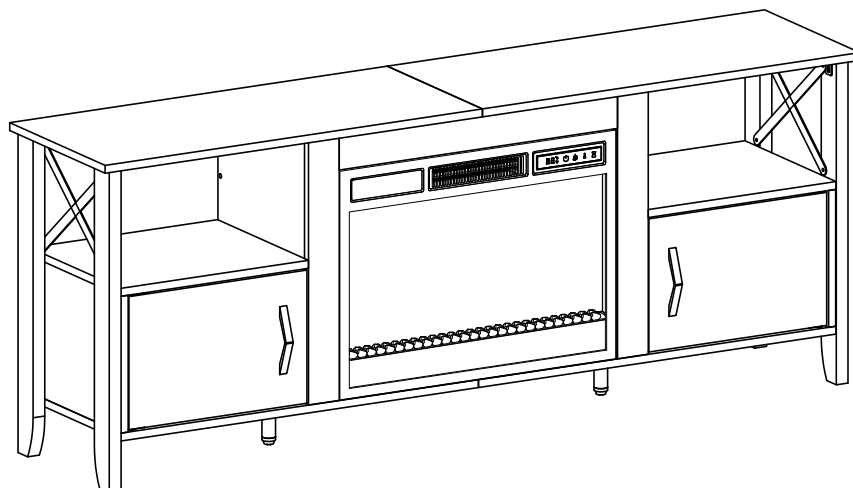
(Fireplace not included)

If the product you purchased does not include the fireplace, please install the product according to the step 32 to 38.

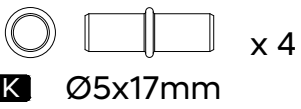
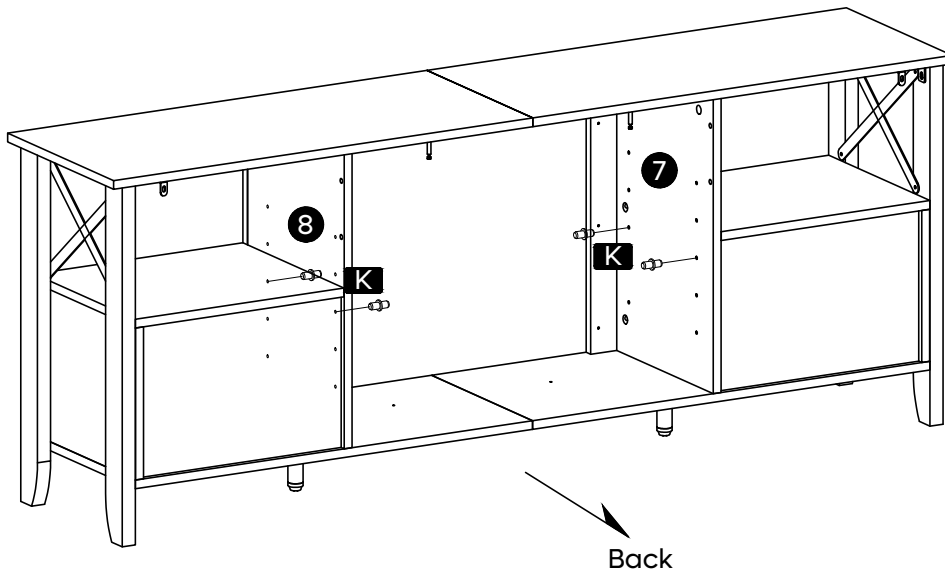


(Fireplace included)

If the product you purchased includes the fireplace, please install the product according to the step 39 to 46.

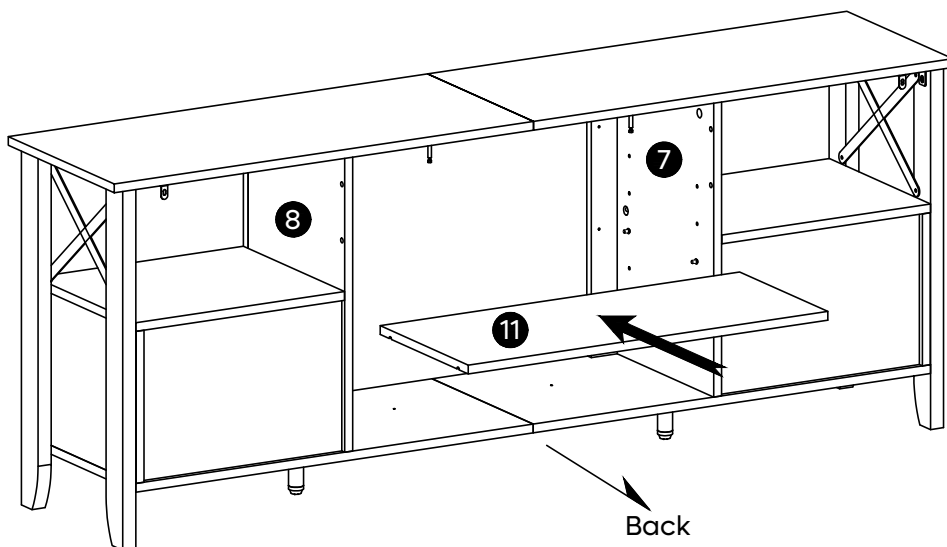


32

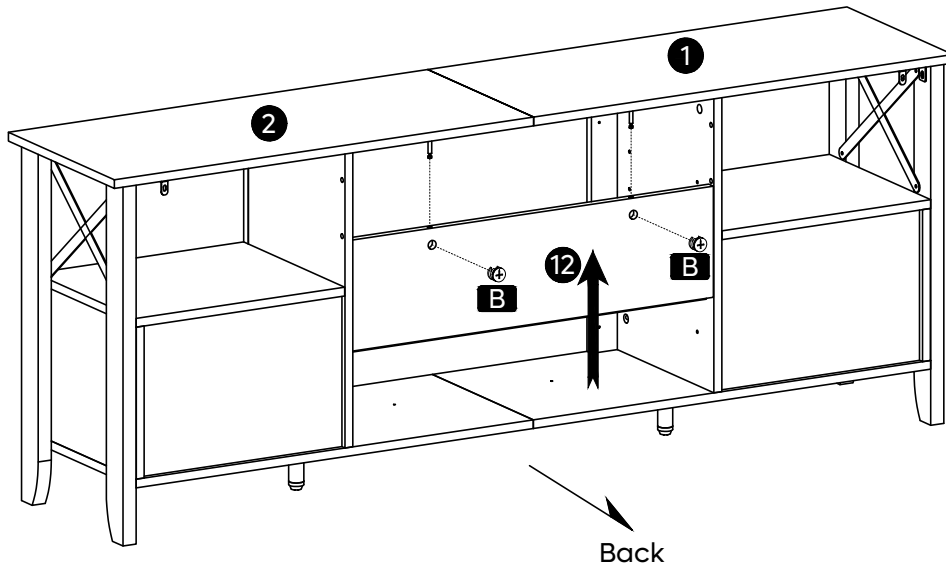


33

L103216P



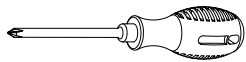
34



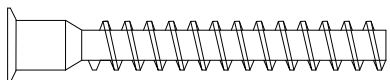
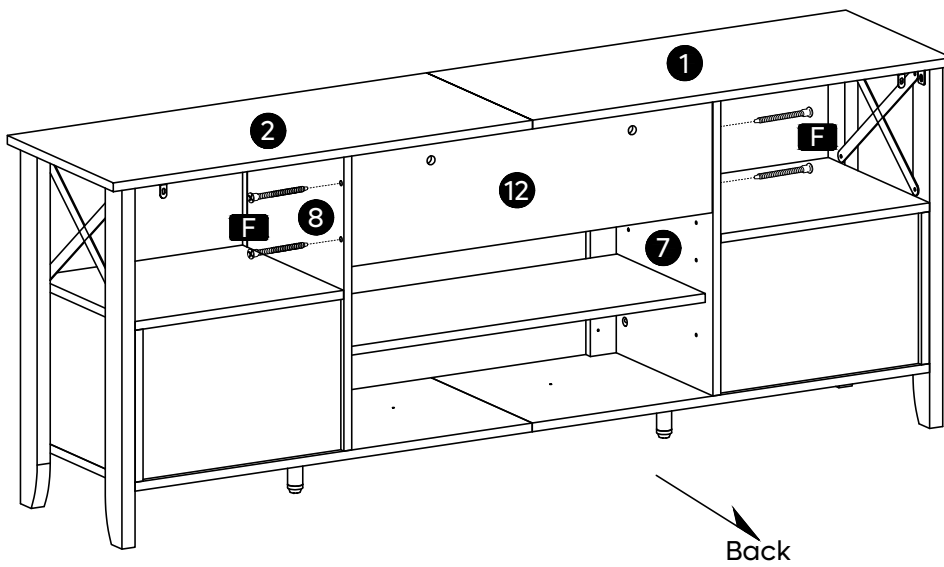
x 2

B

Ø15mm



35



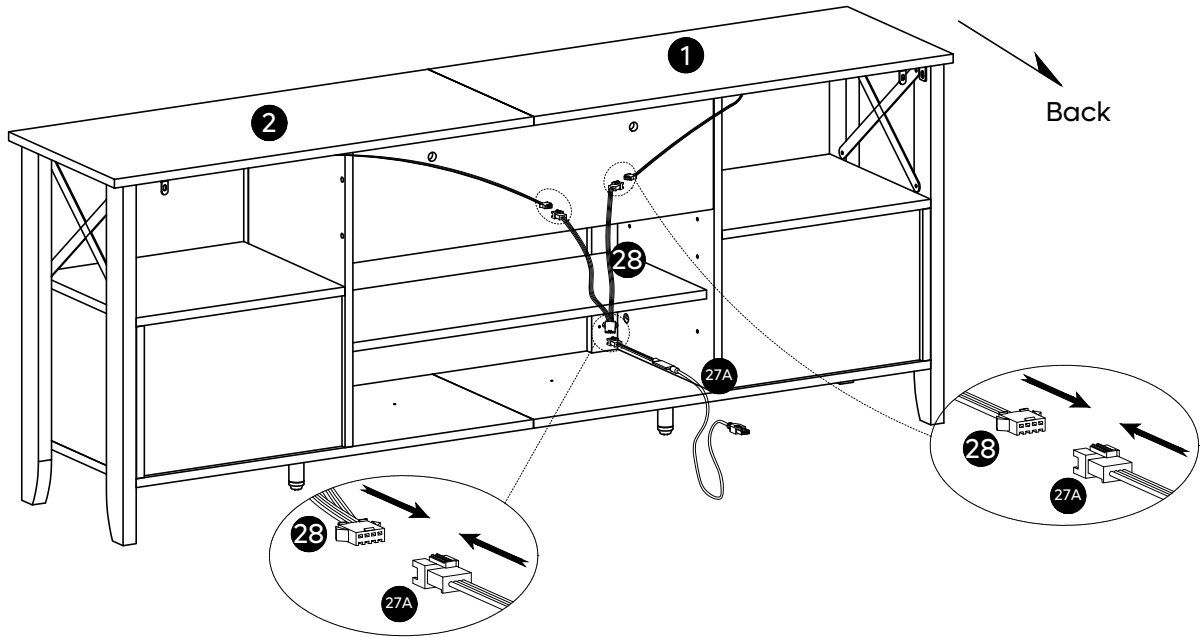
x 4

F

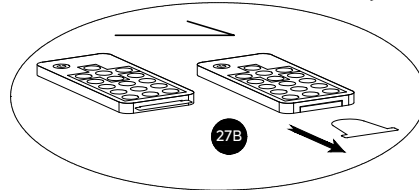
ST7x50mm



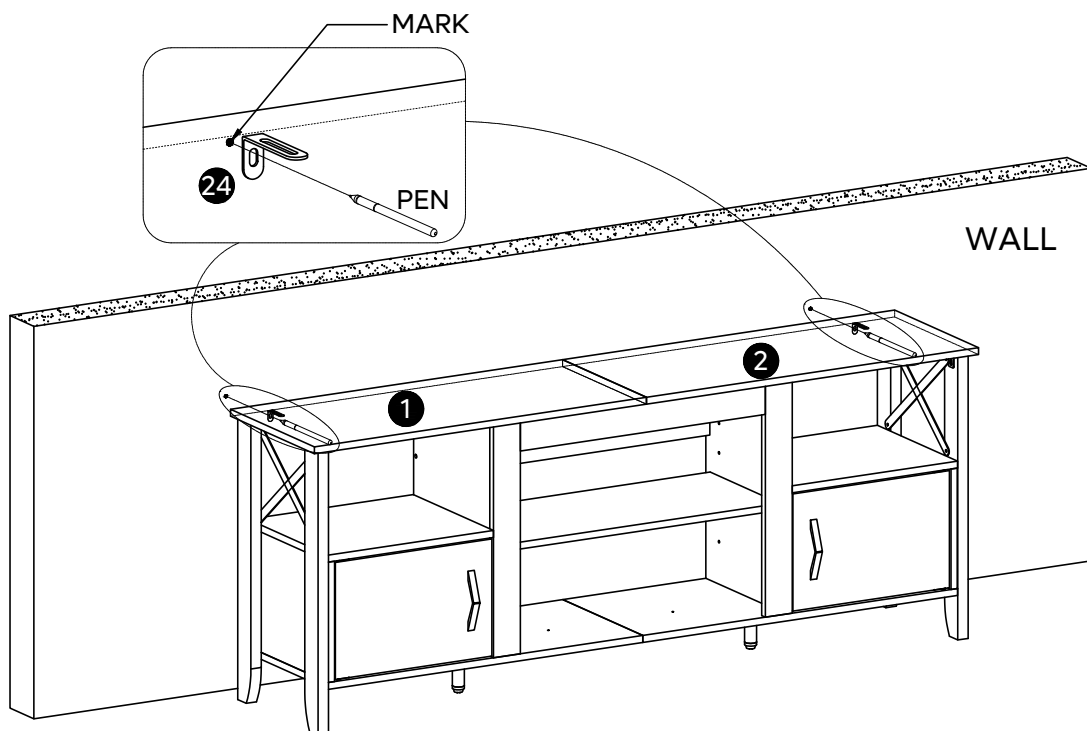
36

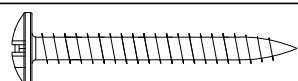
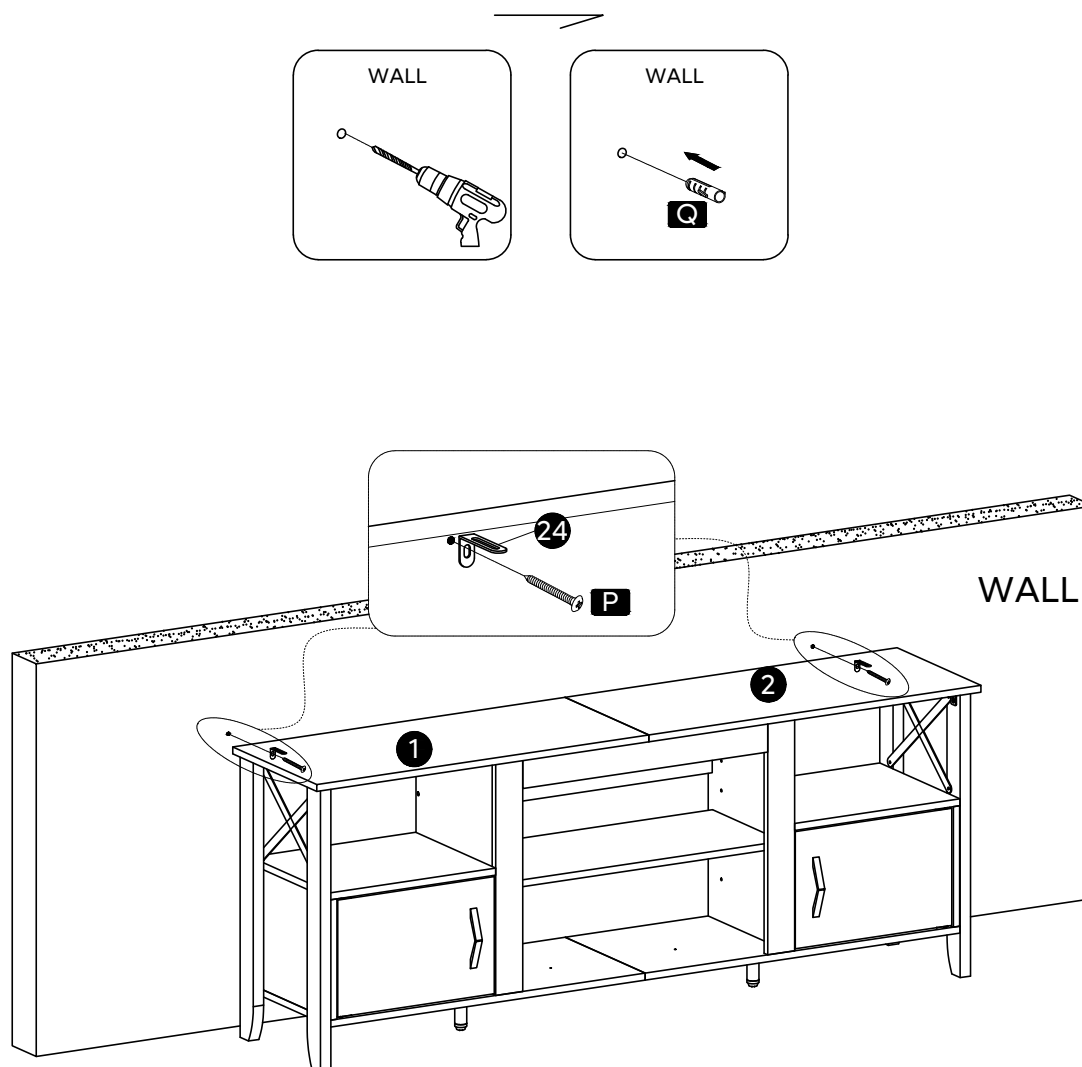


※Take out the insulator before using the remote control.



37

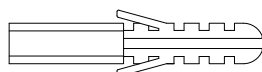




x 2

P

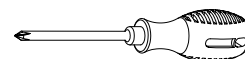
ST4x35mm



x 2

Q

Ø8mm



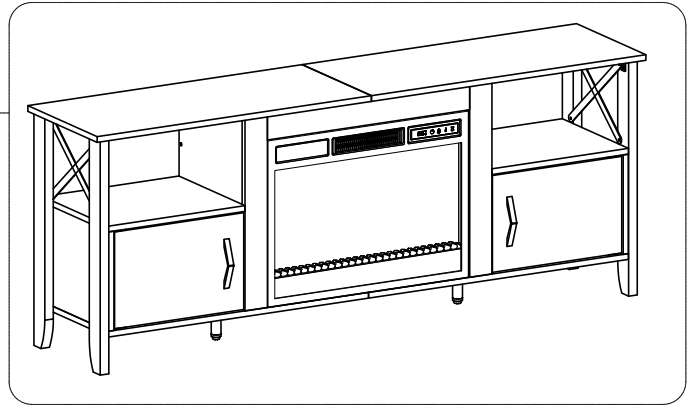
※ **Please fasten this item to wall for protection and safety.**

1. Drill 2 holes in the wall and insert "Q" into holes.

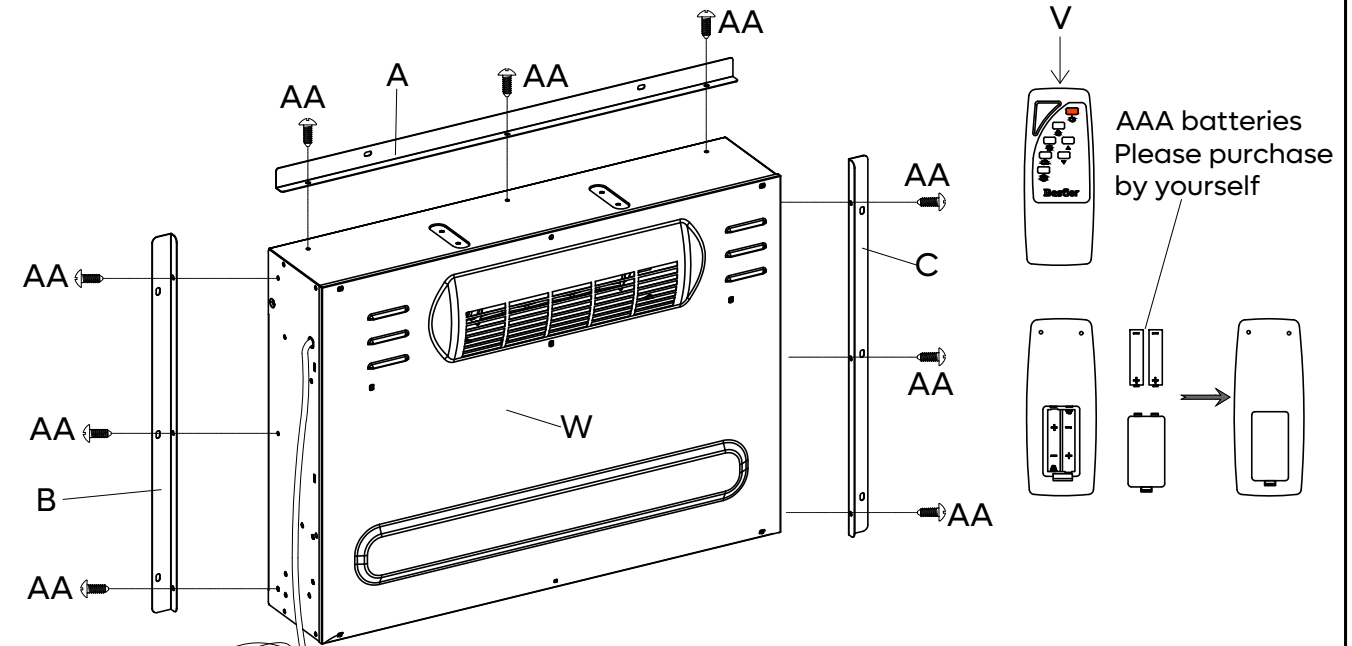
※ You may need to use rubber mallet for tapping "Q".

2. Use "P" to attach "Q" with 24.

※ If you chose fireplace TV stand , Please continue with the following steps.



※please refer to the fireplace assembly installation

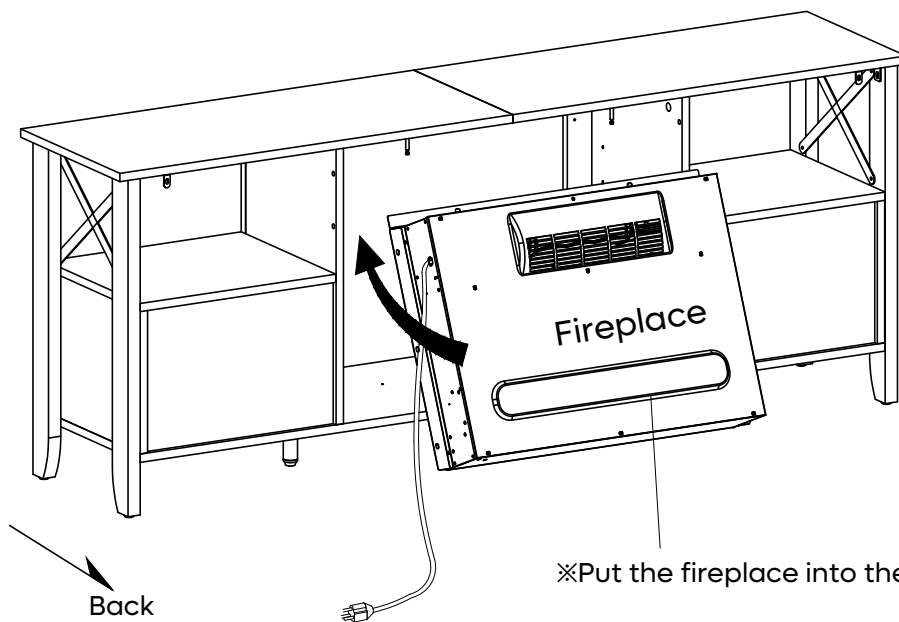


AAA batteries
Please purchase
by yourself

package include:

Part	Description	Quantity
V	Remote Control	1
W	Fireplace Insert	1
A	Top Side Trim	1
B	Left Side Trim	1
C	Right Side Trim	1
AA	TM4x6mm	9+1

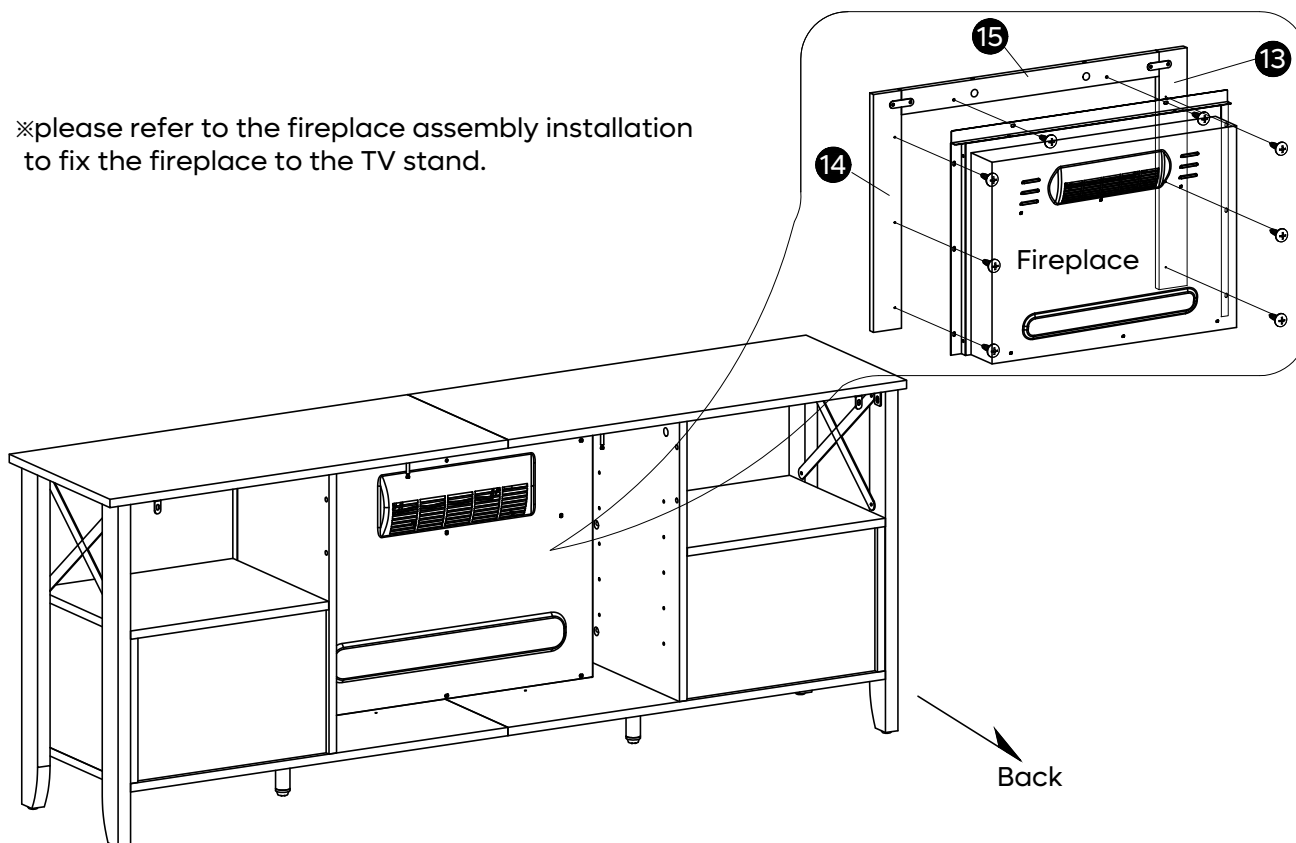
40



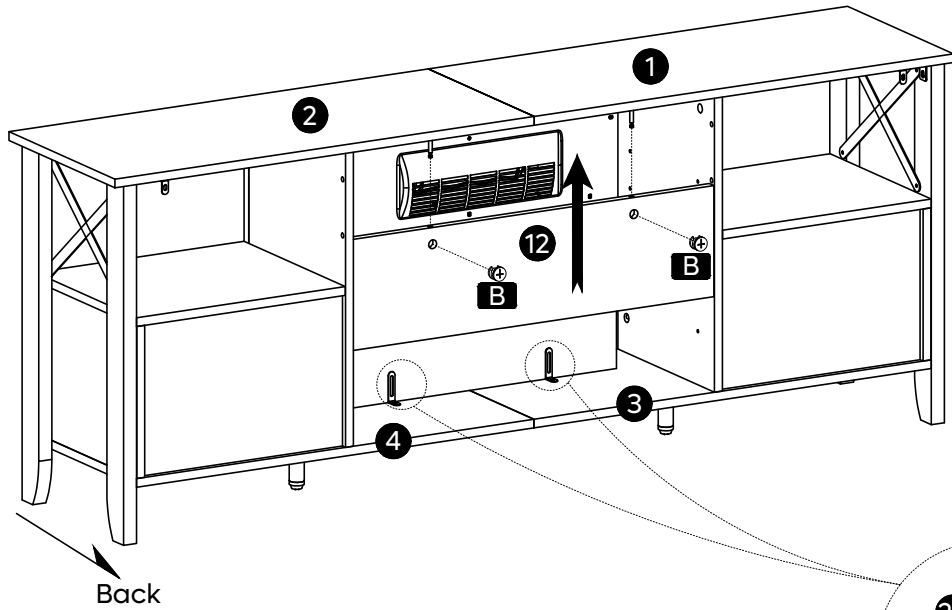
※Put the fireplace into the TV stand

41

※please refer to the fireplace assembly installation to fix the fireplace to the TV stand.



42



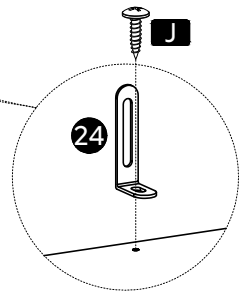
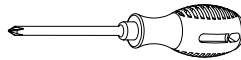
x 2

B Ø15mm

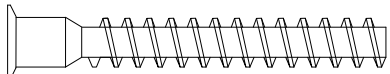
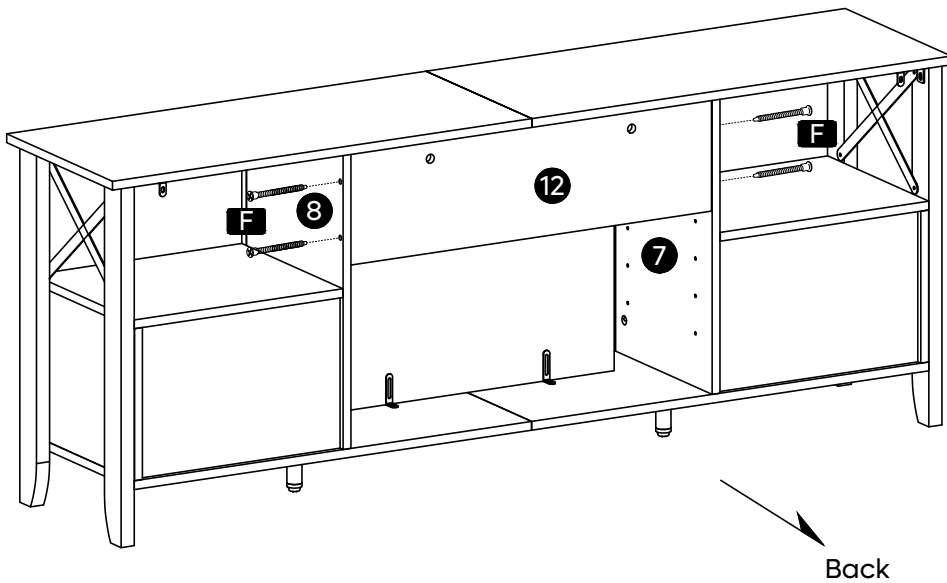


x 2

J ST4x14mm



43



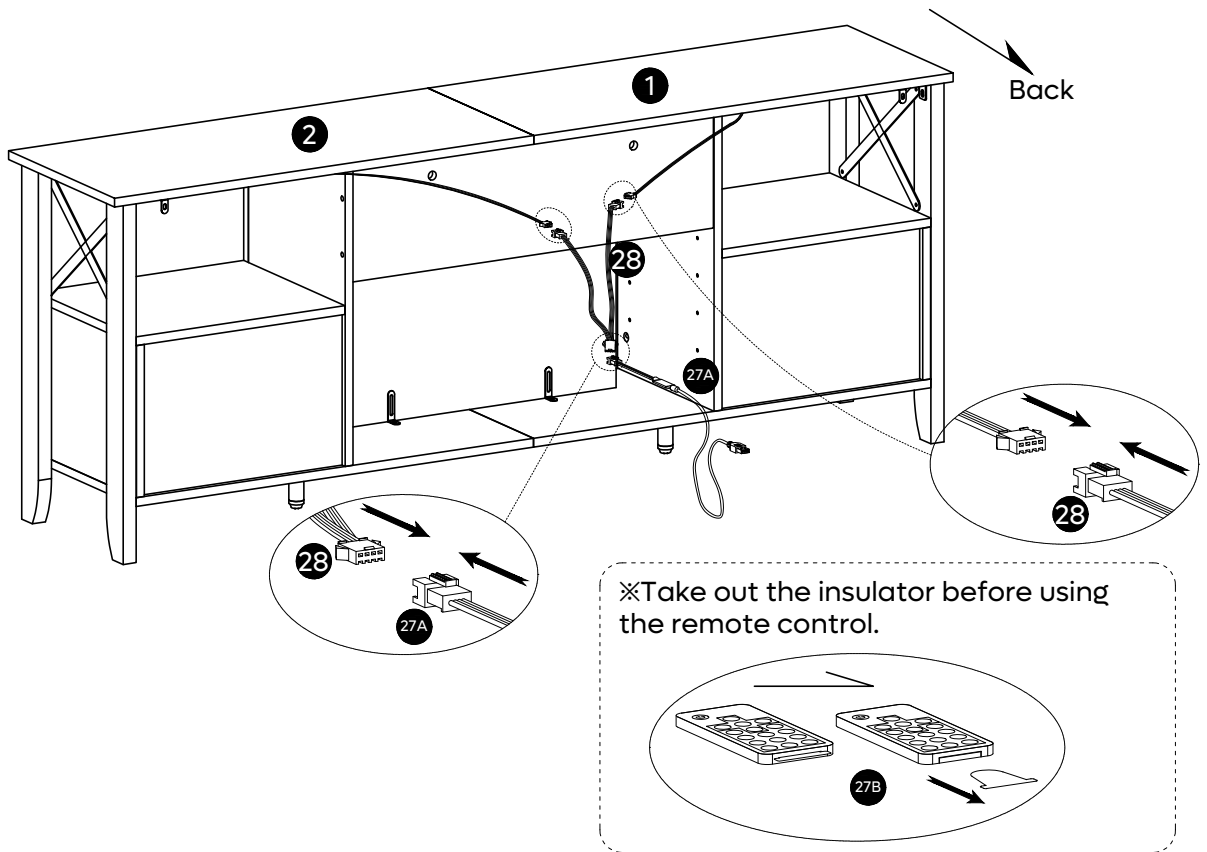
x 4

F

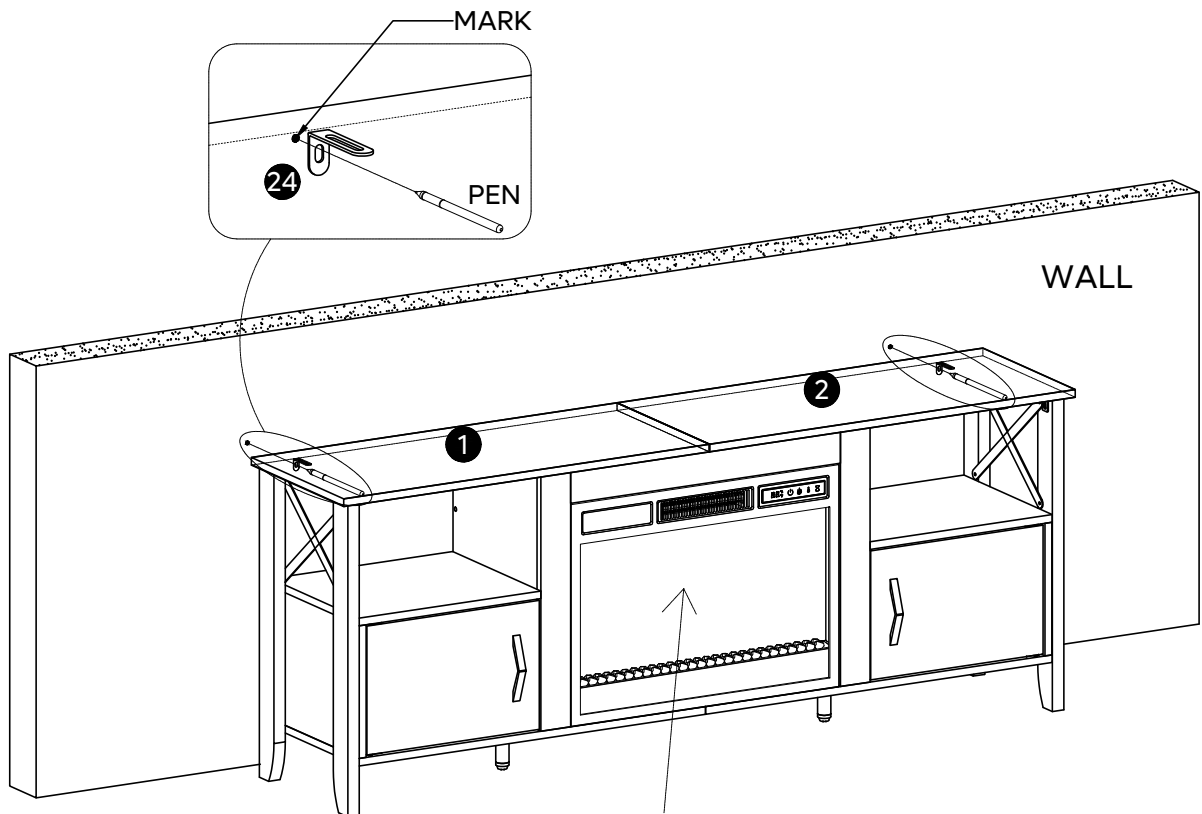
ST7x50mm



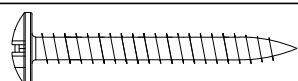
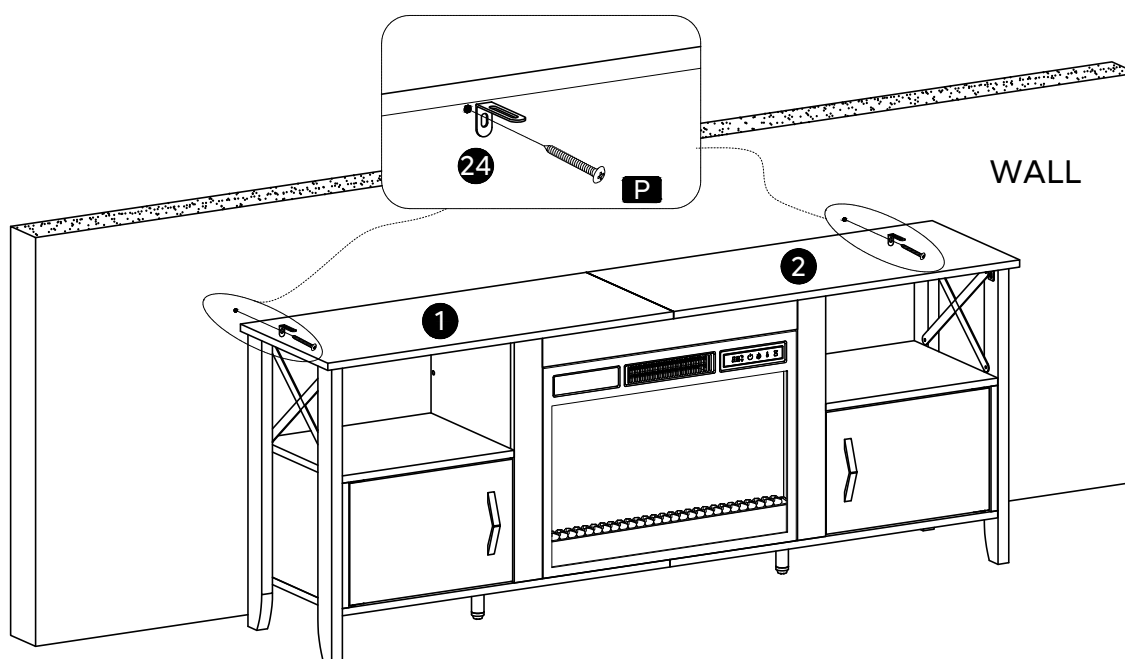
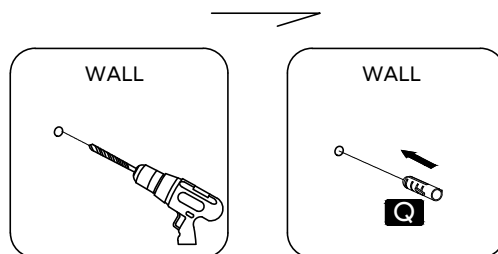
44



45



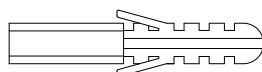
※please refer to the fireplace assembly installation to operate the fireplace .



x 2

P

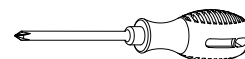
ST4x35mm



x 2

Q

Ø8mm



※ **Please fasten this item to wall for protection and safety.**

1. Drill 2 holes in the wall and insert "Q" into holes.

※ You may need to use rubber mallet for tapping "Q".

2. Use "P" to attach "Q" with 24.