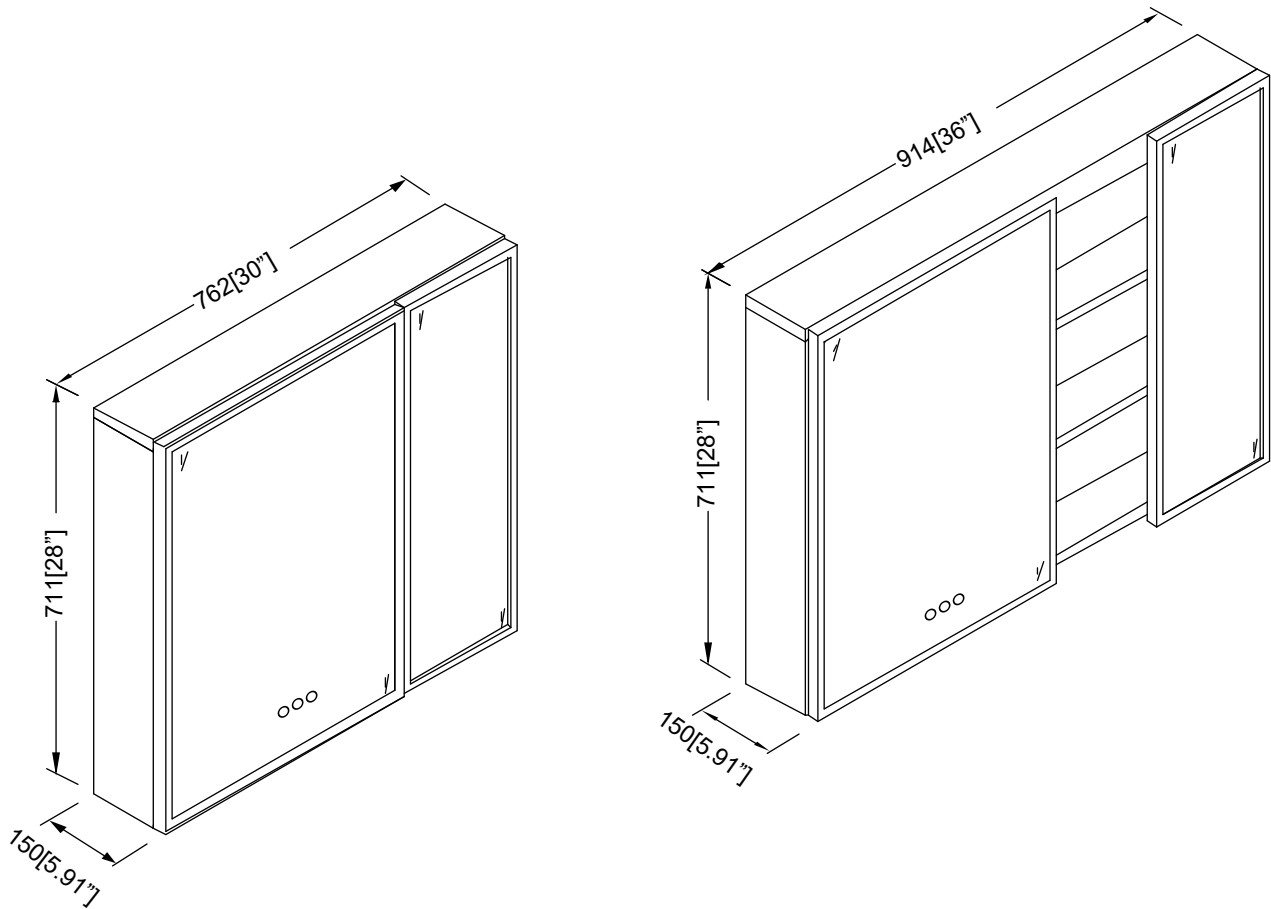


LED MIRROR CABINET

Colors: WHITE, GREY, LAVENDER

ASSEMBLY INSTRUCTIONS

LED MEDICINE CABINET



Grounding Instructions

- This product must be connected to a grounded metal, permanent wiring system, or an equipment-grounding conductor must be run with the circuit conductors and connected to the equipment-grounding terminal or lead on the product.
- An Electrical option cabinet must be wired to a 20 Amp GFI (Ground Fault Interrupter) protected circuit when used in bathrooms and all other locations required by the National Electric Code.

NOTE: To ensure the normal use of product, it is required to set out wires as per the regulations of IEE. The product is only applicable to the indoor installation. The installation must be executed by a professional electrician, wrong installation may lead to product damage and personal injury.

Safety Information

DANGER

- Keep small parts away from children during Installation.
- Failure to follow warnings and cautions could result in serious injury.
- DO NOT use harsh bathroom cleaners or grout cleaners on any natural stone.

WARNING

- Read these instructions carefully and keep in a safe place.
- Adult Installation required.
- Do not over tighten connectors (screws, bolts, etc.) Overtightening can lead to product damage.
- Small parts may present choking hazard prior to Installation.
- Do not stand, step or climb on unit.

Caution

- USE preventative cleaning measures to keep your stone pristine.
- USE sealers according to the product specific directions.
- Blot spills quickly, and wash with mild soap and warm water.
- Be sure to check all packing materials carefully for small parts that may have come loose inside the carton during shipment. If parts are missing, contact us to obtain any missing parts.
- Using abrasive cleansers will damage the surface.



NOTE: Please read and understand this entire manual before attempting to assemble, operate or install the product.

- Handle the glass with caution! Improperly handling the glass can cause it to break.
- You will need at least two people to install this unit properly.
- The distributor is not responsible for any damage to the unit or personal property caused by improper installation.
- Carefully remove product from packaging and keep packaging until installation is complete.
- Inspect all parts for damage; if there is damage to the unit prior to installation, please contact customer service at the number provided in this guide.
- Install the product on a leveled surface.

Storage instructions

- The product should be stored safely in a box of adequate size and a piece of Styrofoam covering the entirety of the product should be placed on top and underneath the product.
- Store the unit in a dry and cool place, as humidity may damage the integrity of the electronics and other moisture sensitive components.

Pre-assembly

PLANNING ASSEMBLY

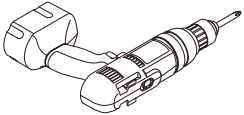
Check the cabinet for damage before installation. If any part of the cabinet is missing or damaged, contact the Customer Service Team at 206.809.0093.

Ensure that the cabinet location is accessible to water supply and drain lines. It is suggested that you rough-in the water lines and drain before installing the cabinet.



NOTE: A drain pipe and trap are not included with this cabinet.

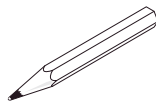
PRE-INSTALLATION - TOOLS REQUIRED



Electrical Drill



5/16" Drill Bit



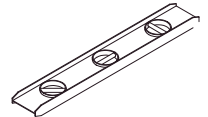
Pencil



Phillips
Screwdriver

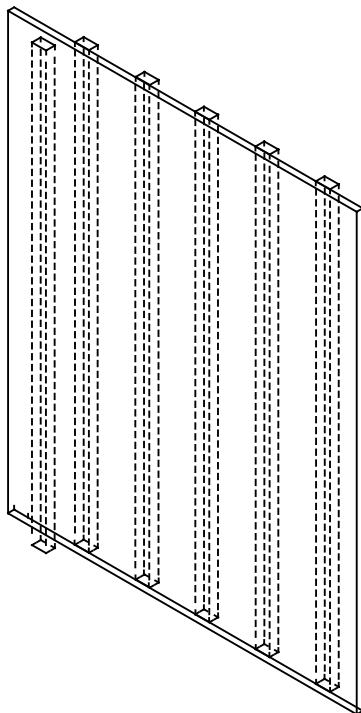


Tape Measure



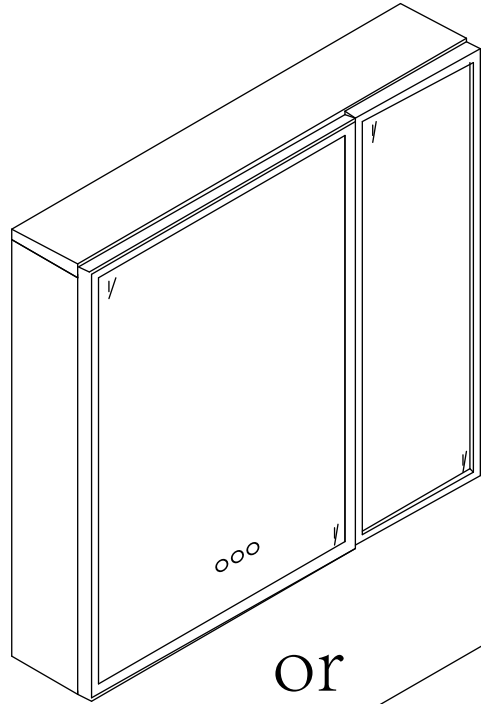
Level

INSTALLATION GUIDELINES

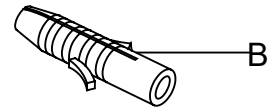
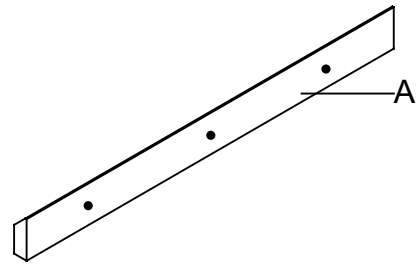
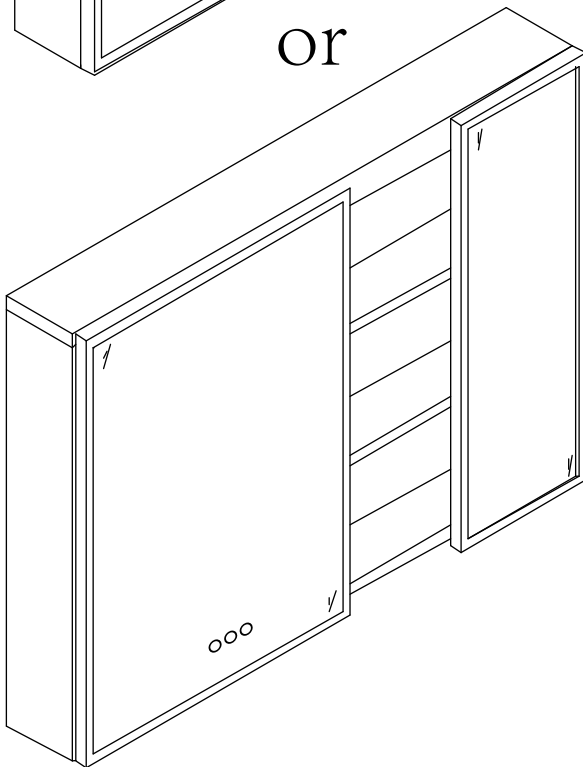


When installing this product, the screws should reach the wood studs behind the plasterboard wall. It is not recommended to install on a plasterboard wall if the screws and anchors are not secured in the wood studs.

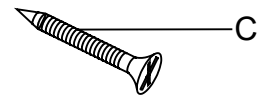
PACKAGE CONTENTS



or



M8

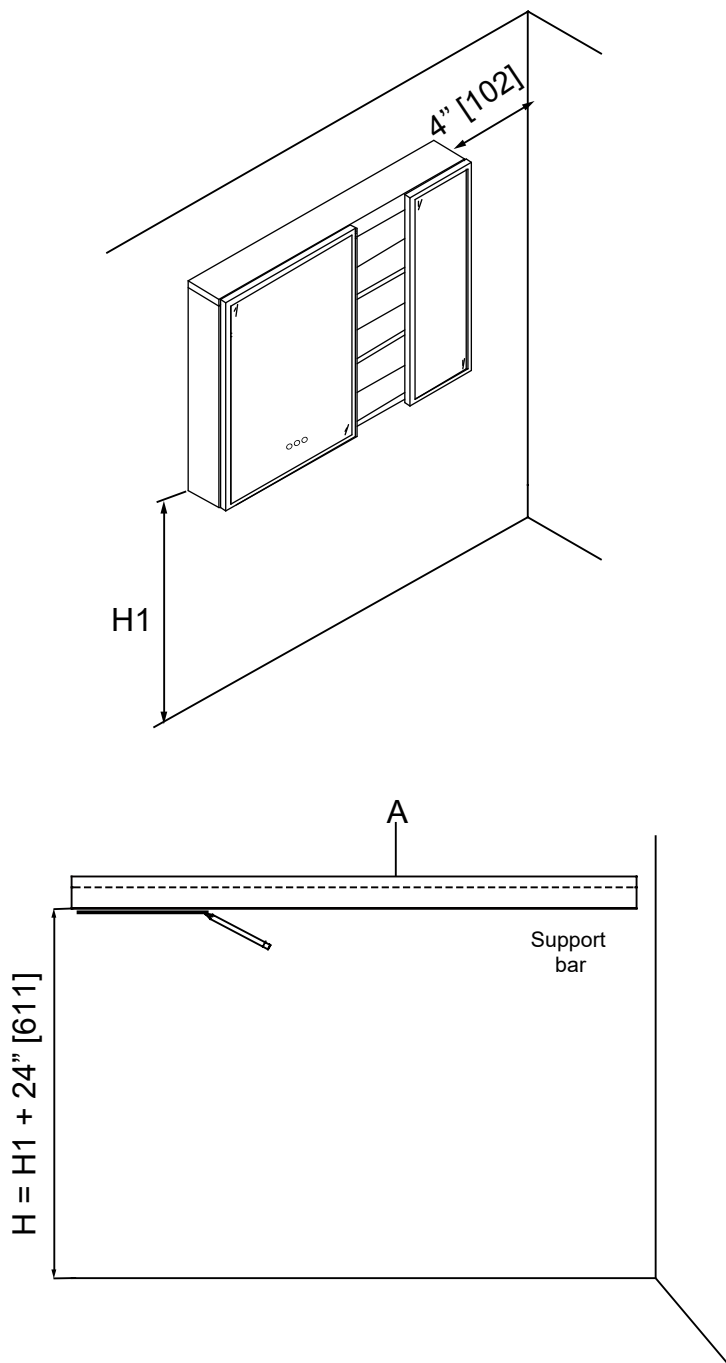


M6*50

Part	Description	Quantity
A	Support bar	1
B	Drywall Anchors (M8)	3
C	Screws (M6*50)	3

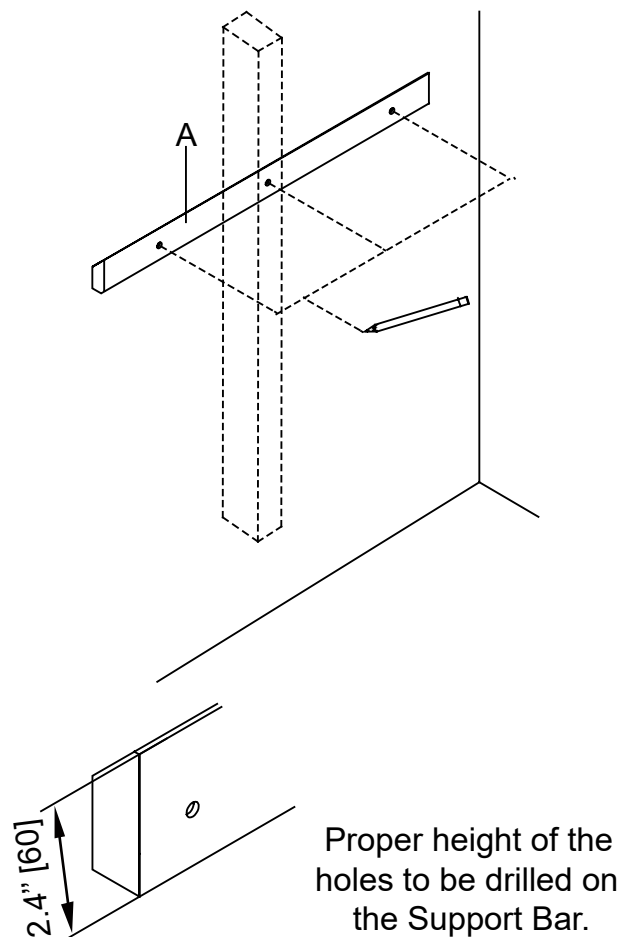
1 Installing support bars

- Measure the height (H1) at where the cabinet will be located, as illustrated. It is recommended to leave at least 4" [102] clearance between the wall and the cabinet to ensure the full opening of the door.
- Plus 24" [611] to the height (H1), this calculated measure is the distance of the bottom of the support bar (A) to the floor as illustrated below. Mark the bottom position of the support bar (A) on the wall.



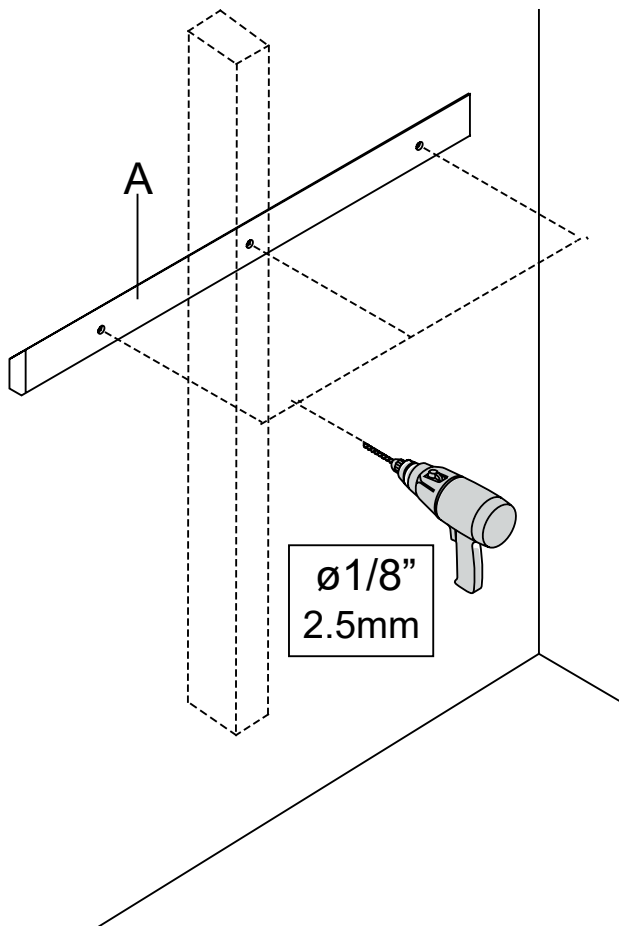
2 Installing support bars

- Using a stud finder or equivalent tool, locate at least 1 wall stud and mark its positions on the wall for each support bar (A). While holding the support bar (A) in its position against the wall, check that it is level, then mark 3 positions for 3 holes as indicated. One of the hole must be right over the wall stud.



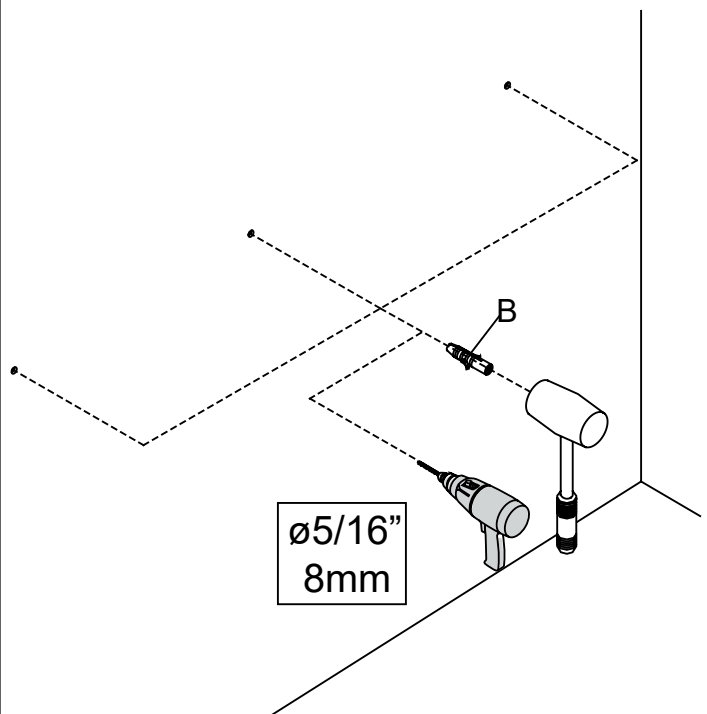
3 Installing support bars

- Keep the support bars in the position, then drill pilot holes on the wall through the support bar (A) at the marked positions using $\varnothing 1/8''$ (2.5mm) drill bit.



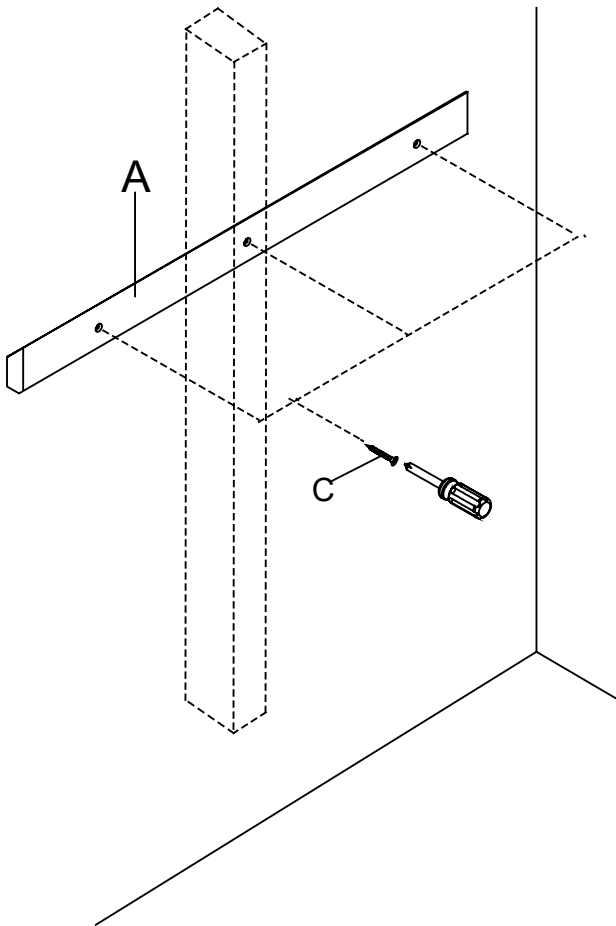
4 Installing support bars

- Except for the holes that are over the stud, drill in the existing holes on the wall using $\varnothing 5/16''$ (8mm) drill bit and insert the wall anchors (B) into the holes using a rubber mallet until the wall anchors are flush with the wall.



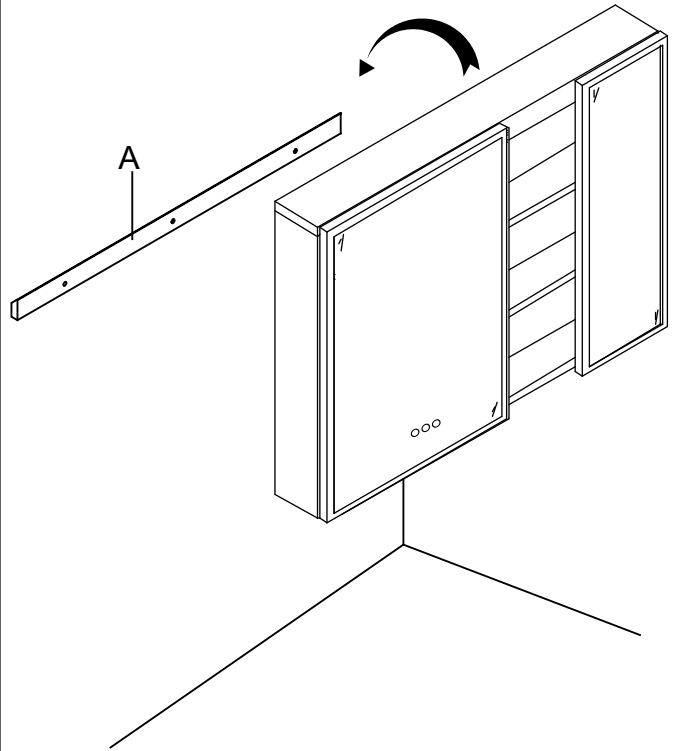
5 Installing support bars

- Replace and secure the support bar (A) with screws (C).

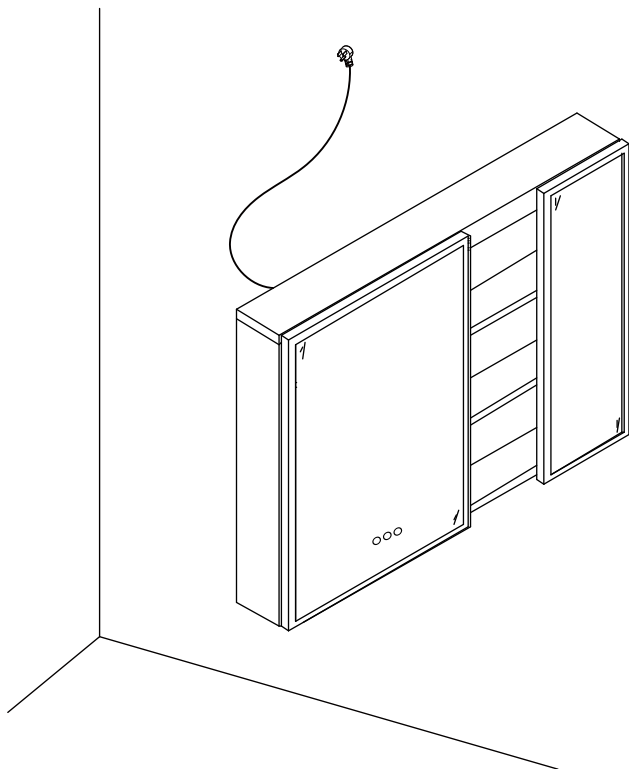
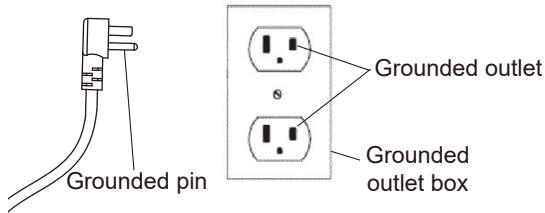


6 Hang on the cabinet

- Gently hang the cabinet on the support bar (A).

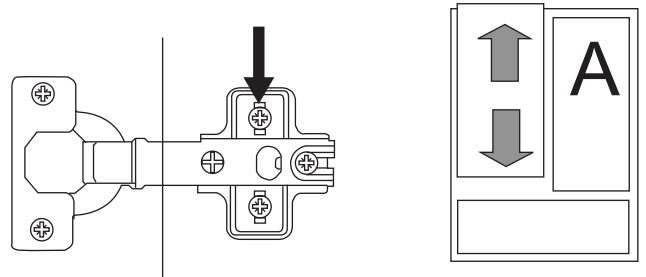


7 Put the plug into the socket



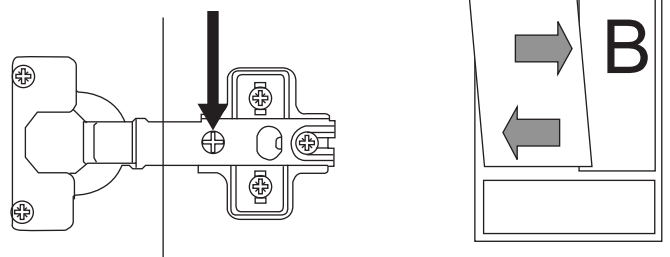
8 Hinge/door adjustment (If applicable)

A Used to adjust door height



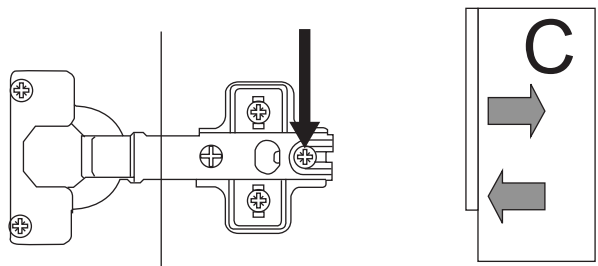
CABINET FRONT VIEW

B Used to adjust gaps between doors



CABINET FRONT VIEW

C Used to adjust between door and cabinet



CABINET SIDE VIEW

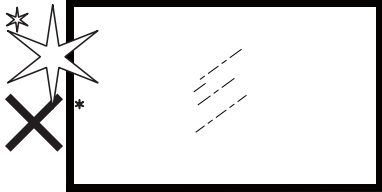
WARNINGS:

1. Please do not use if you found the mirror cabinet has been broken.
2. Never put any sharp or heavy material on the mirror surface, otherwise the glass mirror will be broken and body injury accidents may occur.
3. Turn off the power switch in storm lightning weather to avoid electric parts damage.

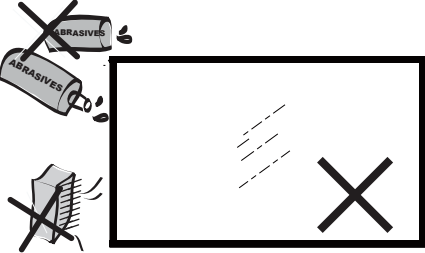
Use and Maintenance:

CAUTION:

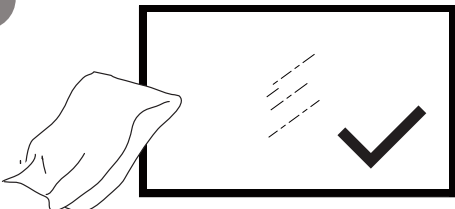
● USE

	<p>1. To avoid damage, do NOT knock the mirror cabinet with any hard objects;</p>
--	---

● CLEANING

	<p>2. Do NOT clean the mirror cabinet with caustic cleaner. Do NOT wipe the mirror cabinet with Bristle brush;</p>
---	--

● MAINTENANCE

	<p>3. For daily maintenance, please use soft cloth and mild cleaner to clean the mirror cabinet.</p>
---	--