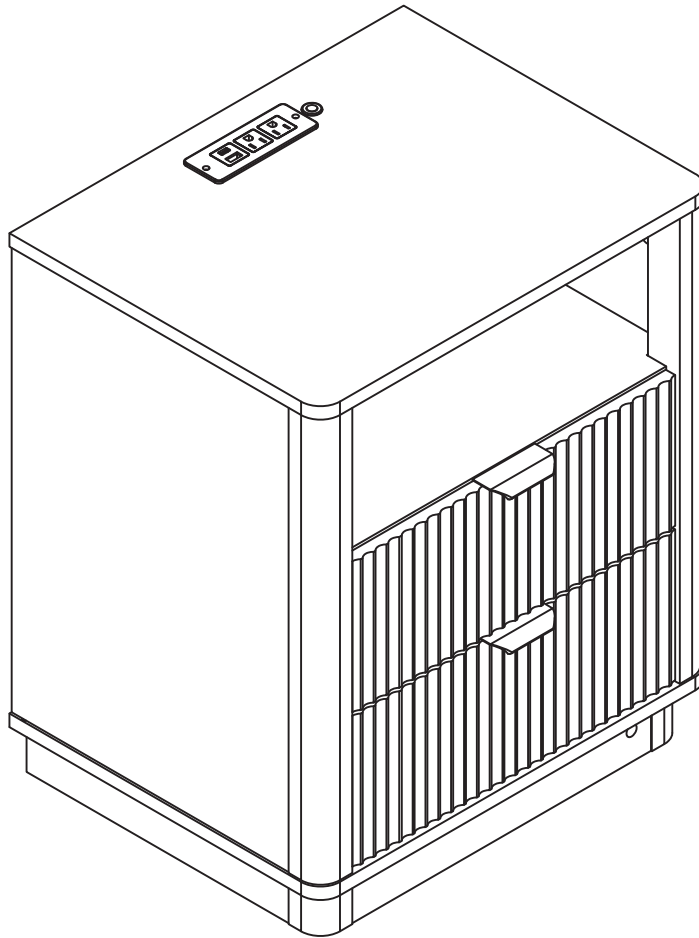


---

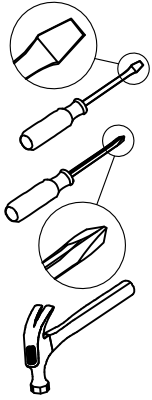
# AWF601-SY



Please thoroughly review the installation instructions prior to commencing the installation process. Ensure that all tools are utilized appropriately and with due care. Should you encounter any questions regarding the product or the installation procedure, do not hesitate to contact us. We will make every effort to assist you in resolving any issues.

We aim to provide you with a distinctive experience.

# Before You Start

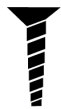
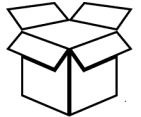


- ✓ Read through each step carefully and follow the proper order
- ✓ Separate and count all your parts and hardware
- ✓ Give yourself enough room for the assembly process
- ✓ Have the following tools: Flat Head Screwdriver, #2 Phillips Head Screwdriver and Hammer
- ✓ Caution: If using a power drill or power screwdriver for screwing, please be aware of to slow down and stop when screw is tight. Failure to do so may result in stripping the screw. (Assembly speed can be increased by using electric screwdriver)

# Helpful Hints

## PEOPLE NEEDED FOR ASSEMBLY: 1-2

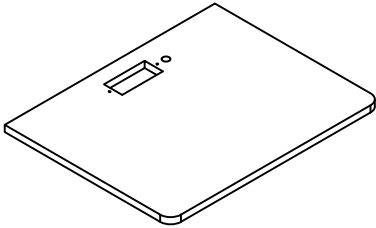
- Open your item in the area you plan to keep it to avoid excessive heavy lifting.
- Identify, sort and count the parts before attempting assembly.
- Compression dowels are lightly tapped in with a hammer.
- Slides are labeled with an **R** (right) and **L** (left) for proper placement.
- Make sure to always face the point on the top of the Cam Lock towards the outer edge.
- If there is a back panel in the package, please install it to make sure your unit is complete and sturdy.
- Please fix all the screws provided for the back panel which can enhance product stability. If it is difficult to fix it when tightening, it can be fixed with the help of a hammer and then tightened.
- Do NOT use harsh chemicals or abrasive cleaners on this item.
- Never push, pull, or drag your furniture.



---

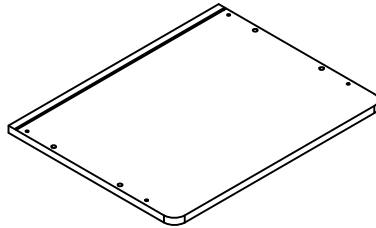
# Board Identification

Not actual size



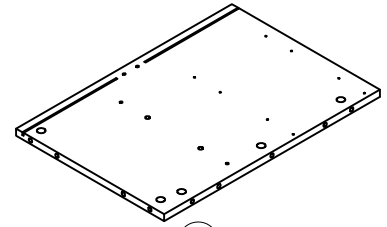
①

TOP  
Qty:1



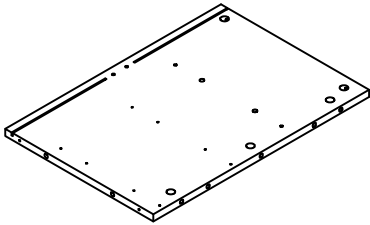
②

BOTTOM  
Qty:1



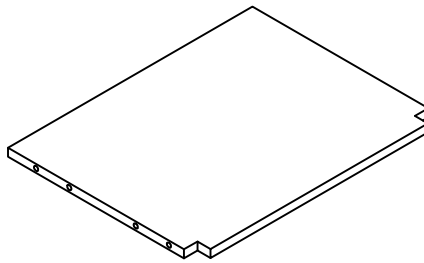
③

LEFT SIDE PANEL  
Qty:1



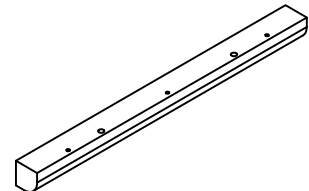
④

RIGHT SIDE PANEL  
Qty:1



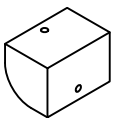
⑤

FIXED SHELF  
Qty:1



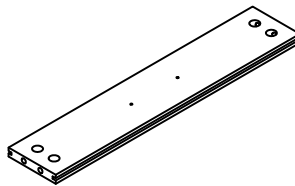
⑥

RAIL  
Qty:2



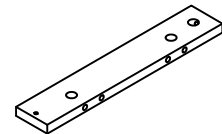
⑦

FOOT  
Qty:2



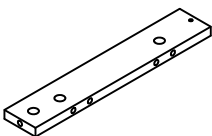
⑧

BACK RAIL  
Qty:1



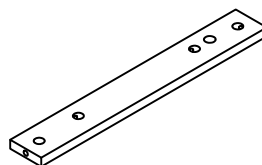
⑨

LEFT RAIL  
Qty:1



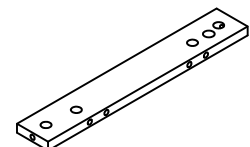
⑩

RIGHT RAIL  
Qty:1



⑪

BACK RAIL  
Qty:1



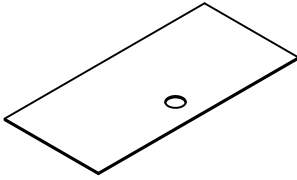
⑫

FRONT RAIL  
Qty:1

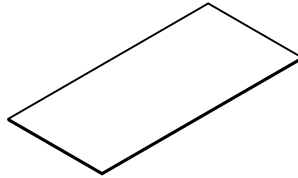
---

# Board Identification

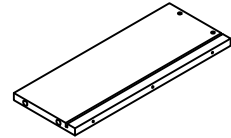
Not actual size



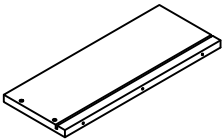
⑬  
UPPER BACK  
Qty:1



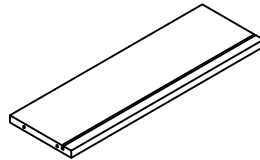
⑭  
BOTTOM BACK  
Qty:1



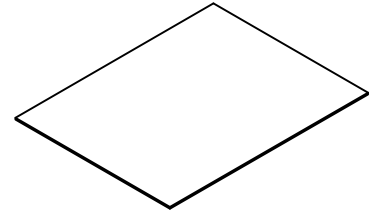
⑮  
DRAWER LEFT SIDE  
Qty:2



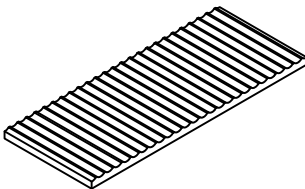
⑯  
DRAWER RIGHT SIDE  
Qty:2



⑰  
DRAWER BACK  
Qty:2

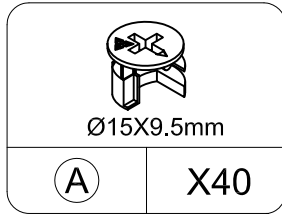


⑱  
DRAWER BOTTOM  
Qty:2

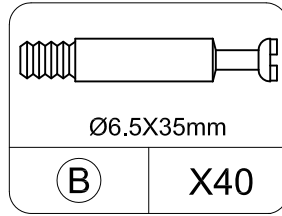


⑲  
DRAWER FRONT  
Qty:2

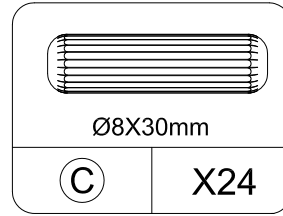
# Part List



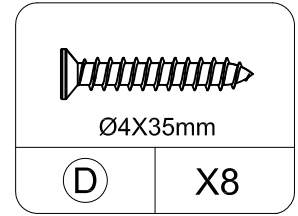
CAM LOCK  
spare:2



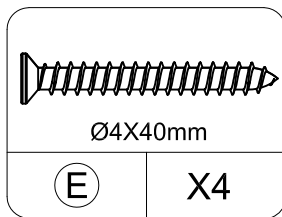
CAM BOLT  
spare:2



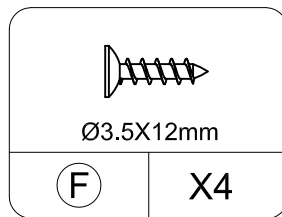
WOODEN DOWEL  
spare:2



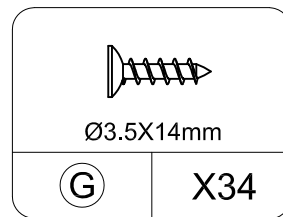
SCREW  
spare:1



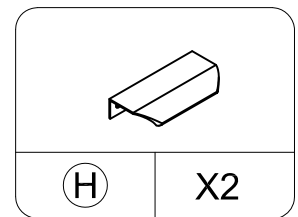
SCREW



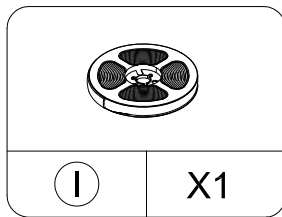
SCREW



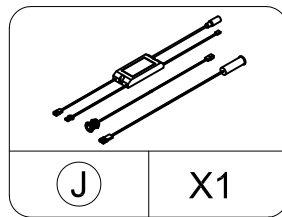
SCREW  
spare:2



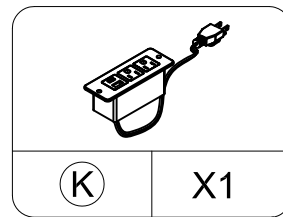
HANDLE



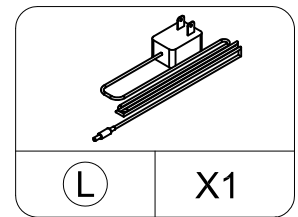
LIGHT STRIP



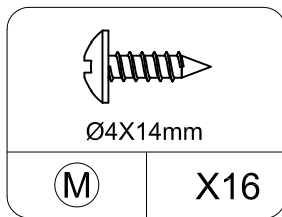
POWER BUTTON



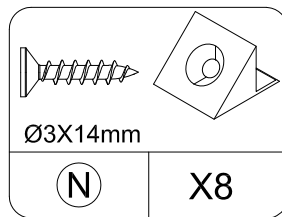
ELECTRICAL OUTLET



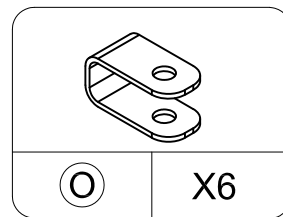
ADAPTER



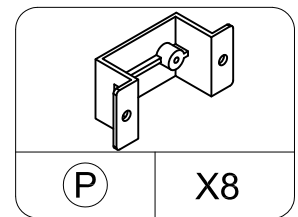
SCREW  
spare:2



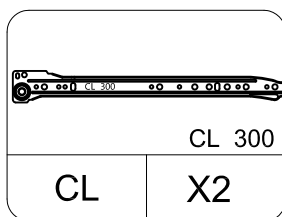
BACKBOARD BUCKLE  
spare:1



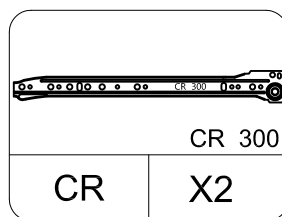
U-SHAPED PLASTIC CLIP



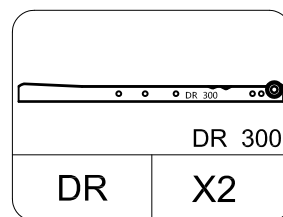
U-BRACKET



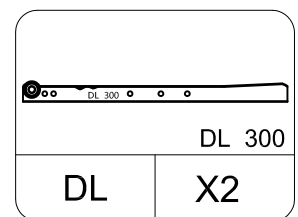
LEFT CABINET MEMBER



RIGHT CABINET MEMBER



RIGHT DRAWER RUNNER

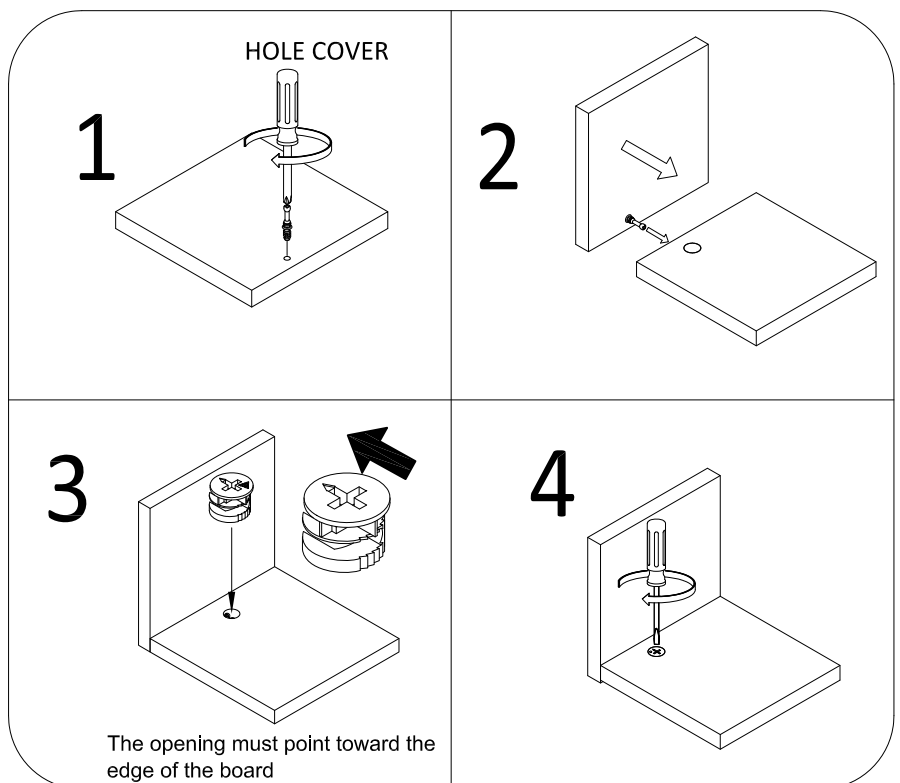


LEFT DRAWER RUNNER

# Part List

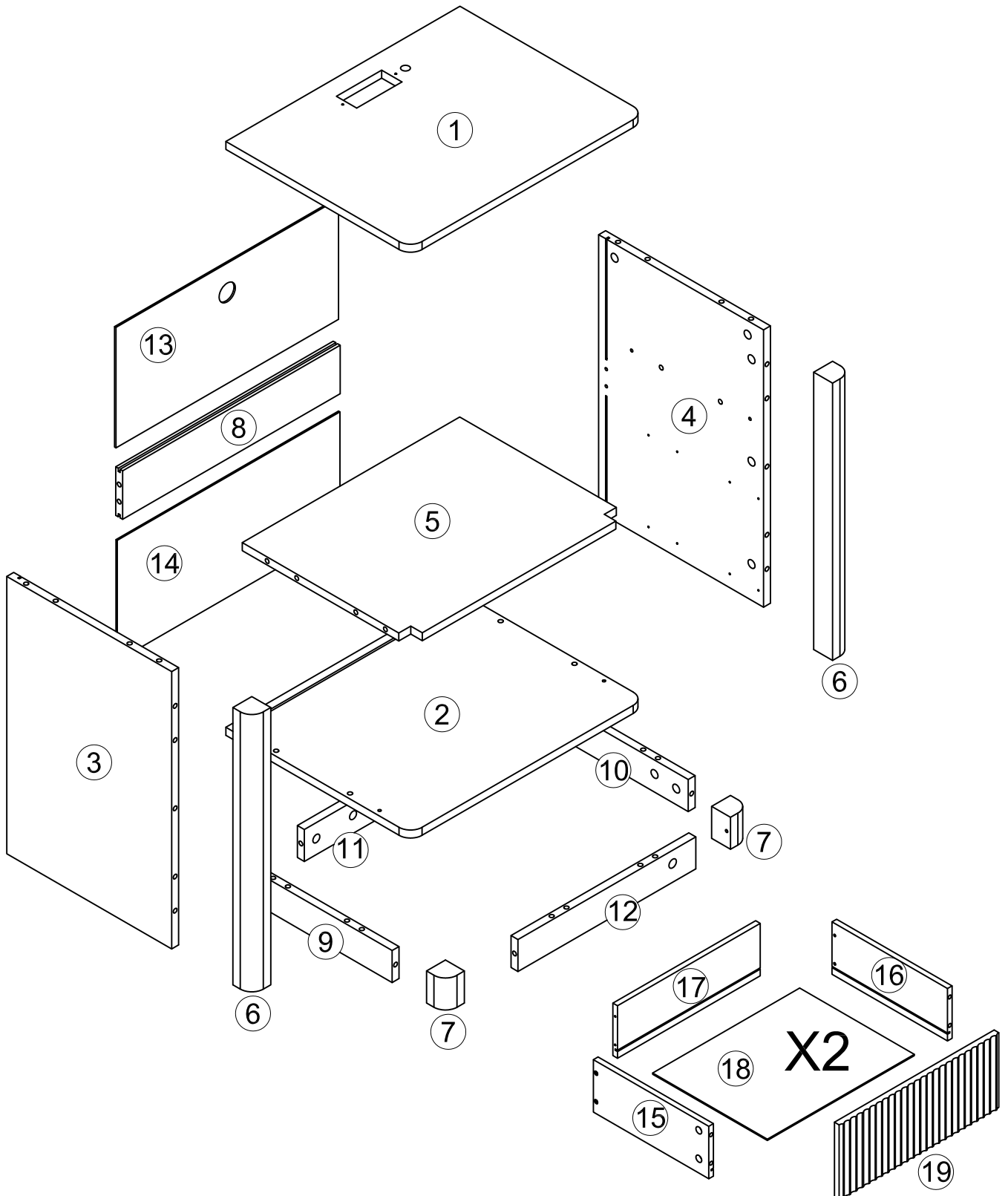
## Cam Lock Fastening System

Insert the cam bolt into the hole first, then insert the cam lock and lock it.

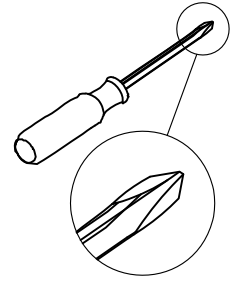
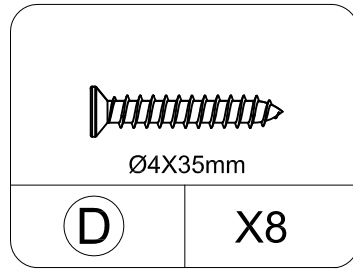
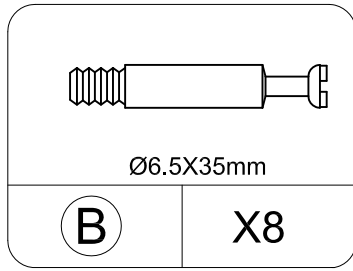
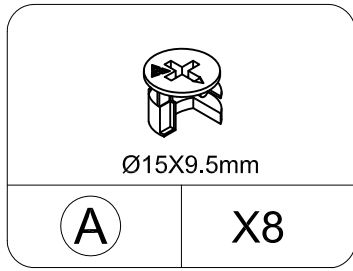


# Board Identification

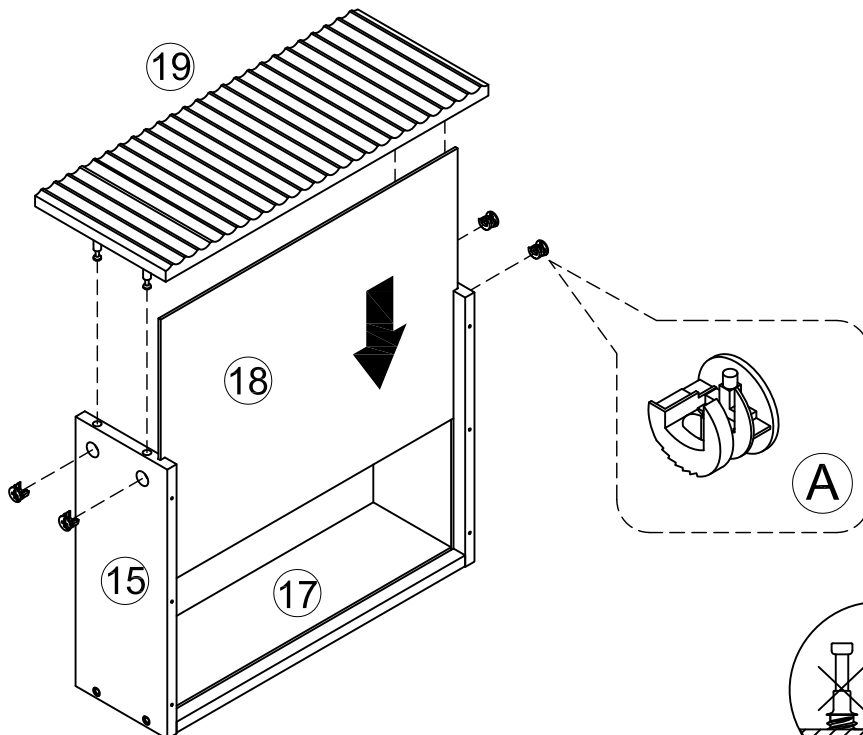
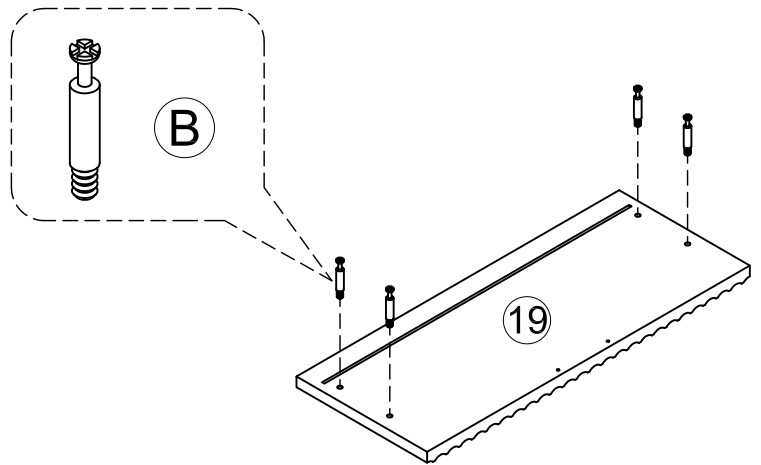
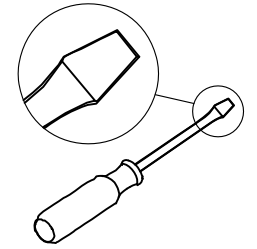
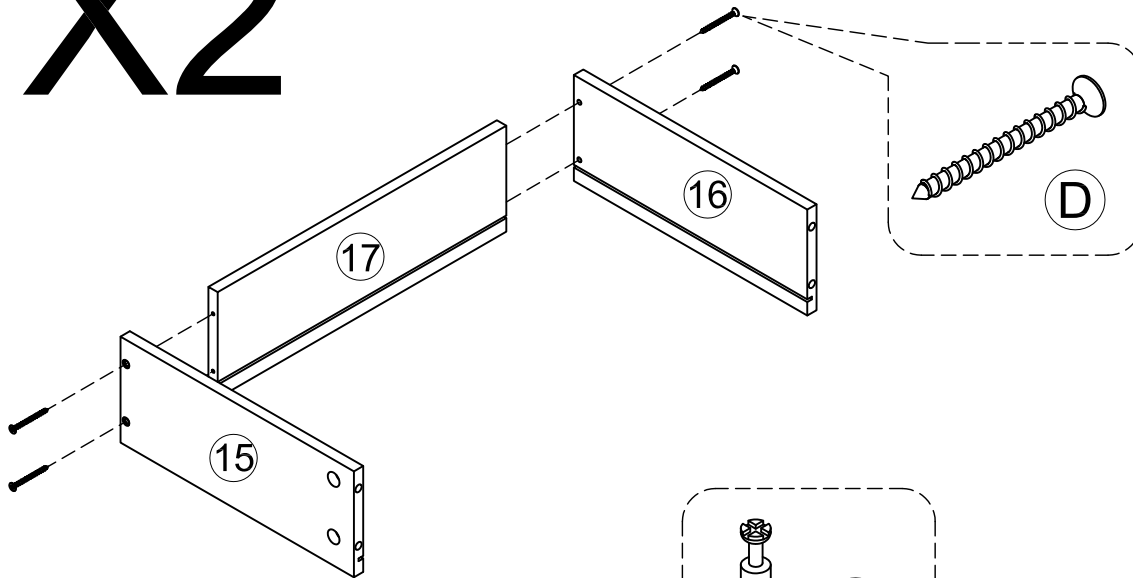
Not actual size



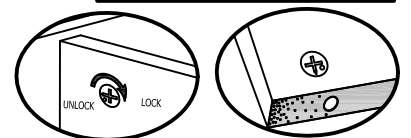
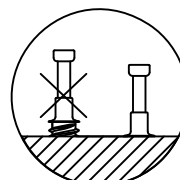
# STEP 1



# X2

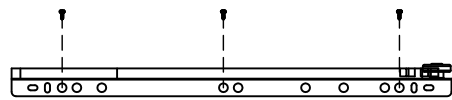
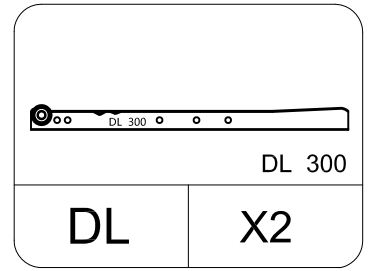
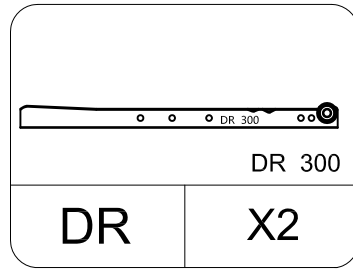
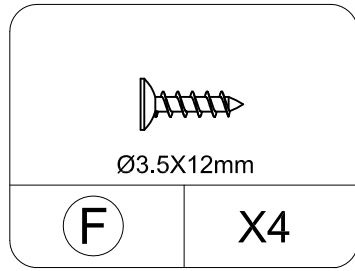
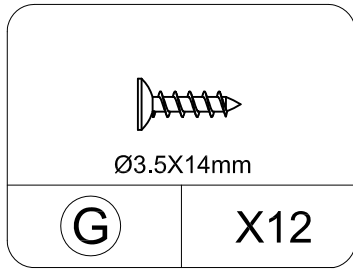


Insert the cam bolt into the hole first, then insert the cam lock and lock it.

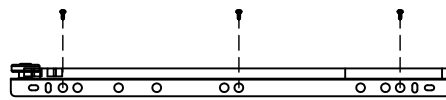


Proper orientation of CAM LOCK

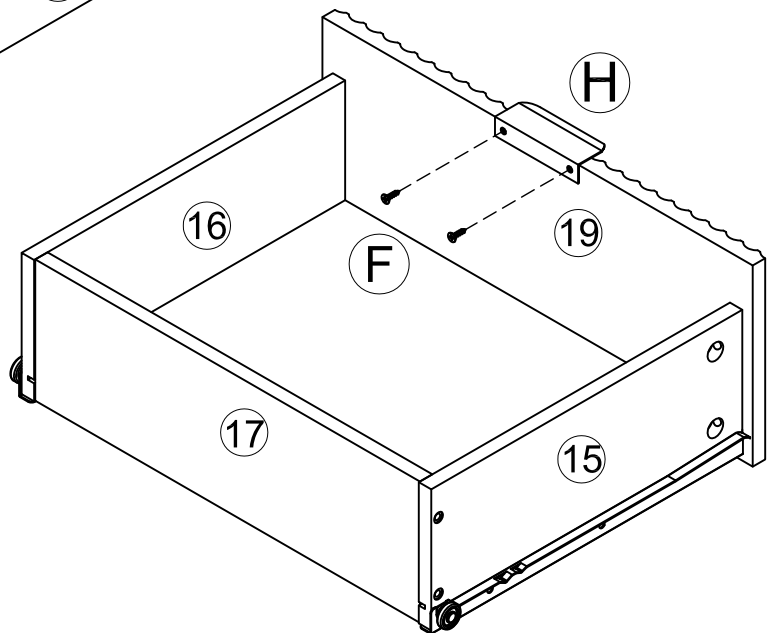
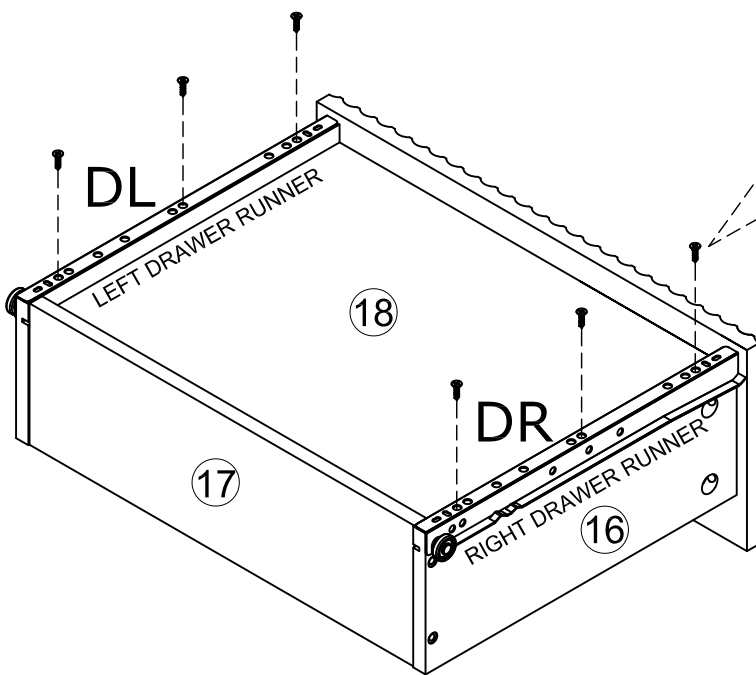
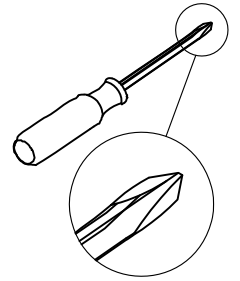
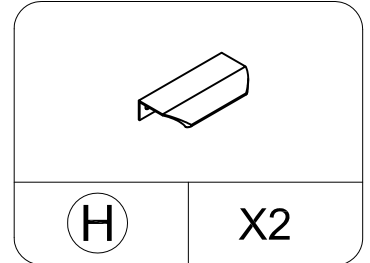
# STEP 2



DR

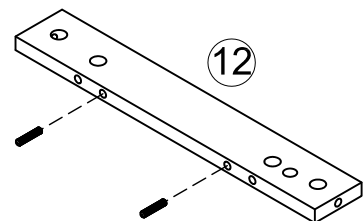
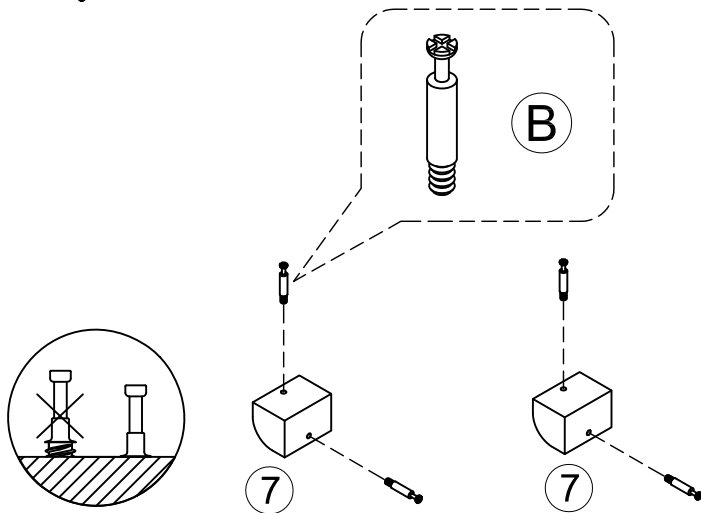
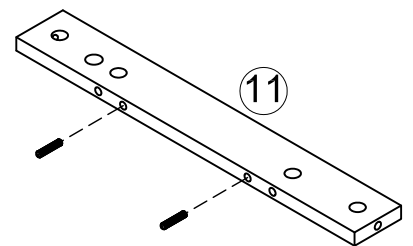
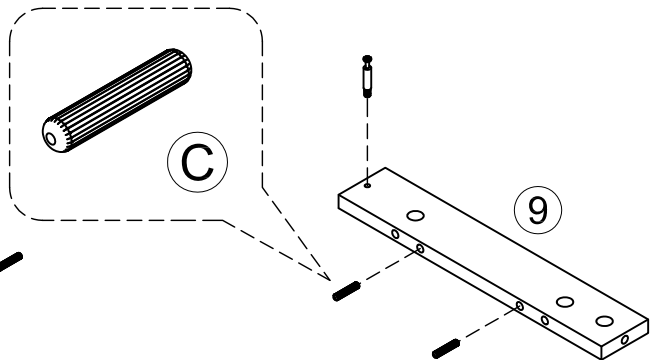
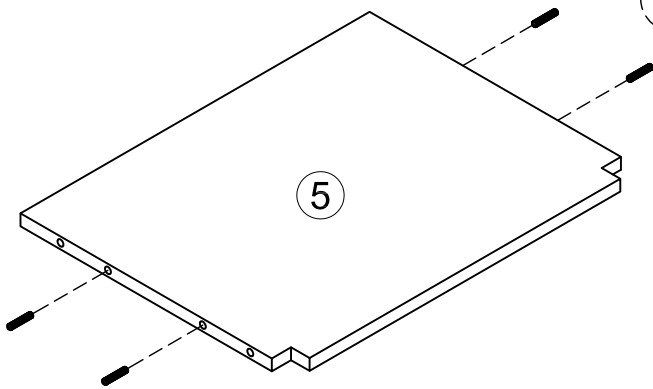
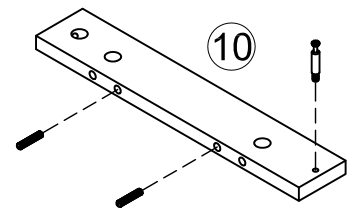
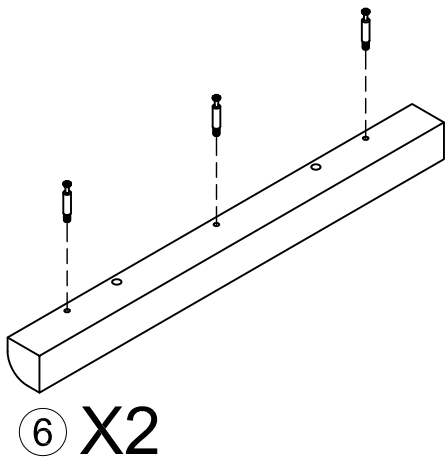
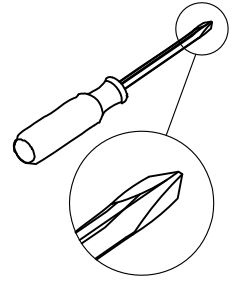
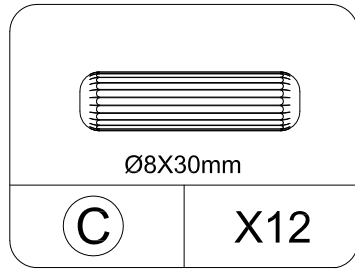
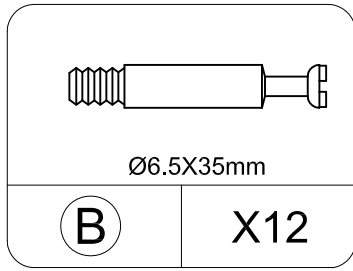


DL

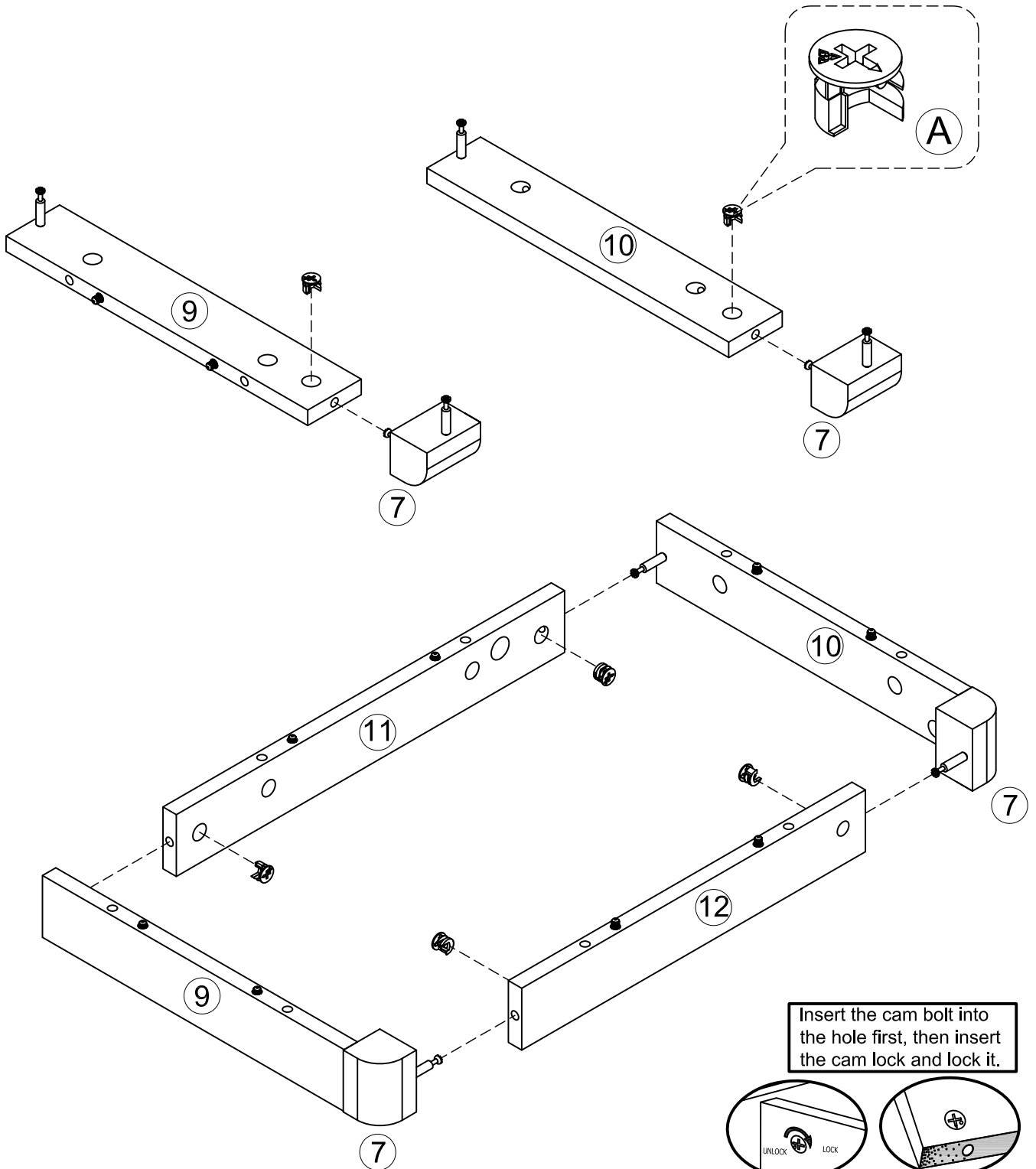
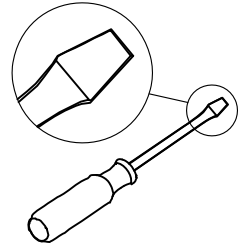
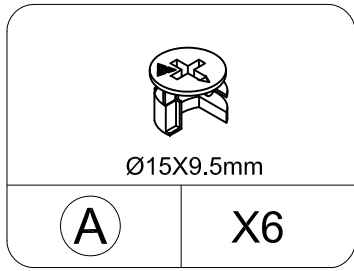


X2

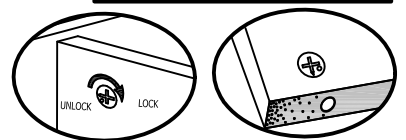
# STEP 3



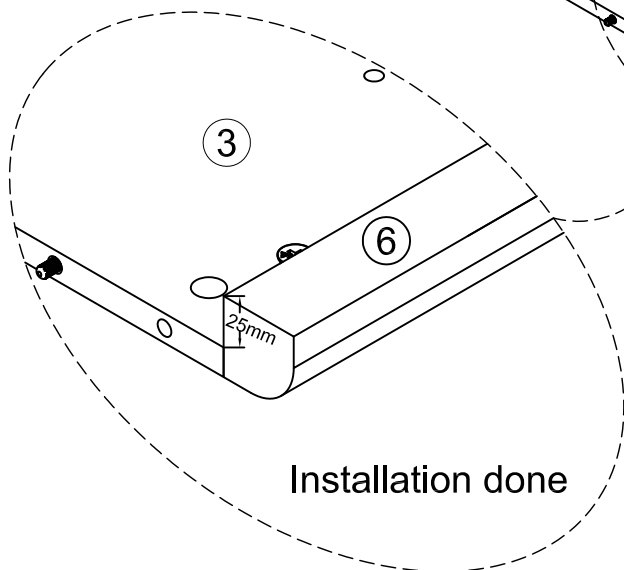
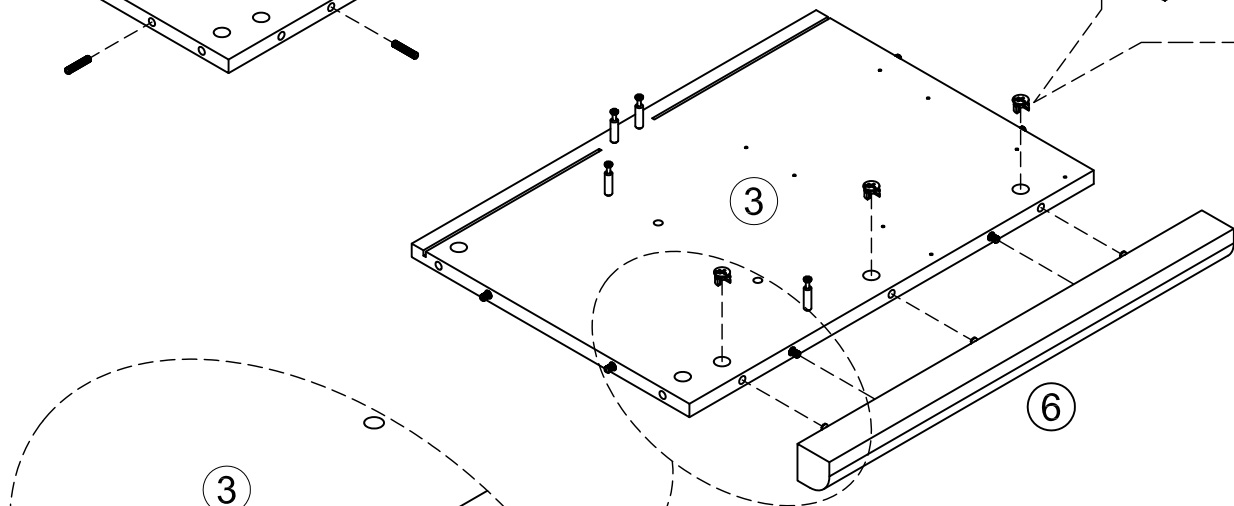
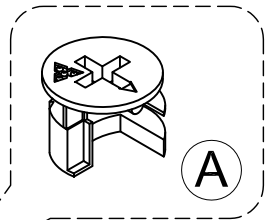
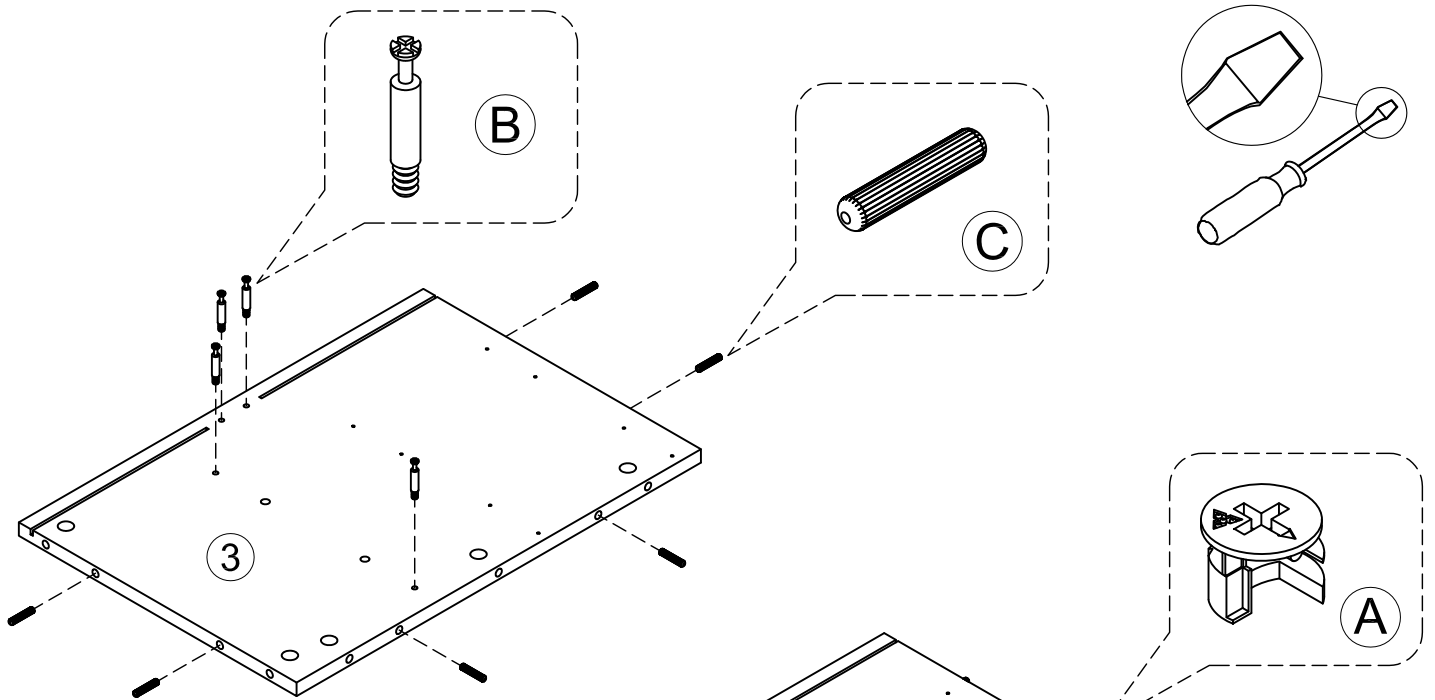
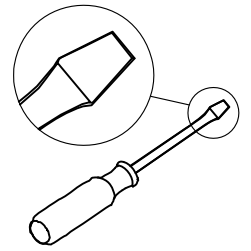
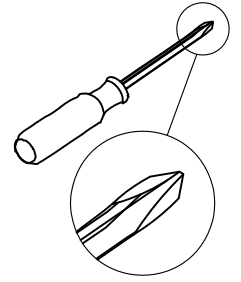
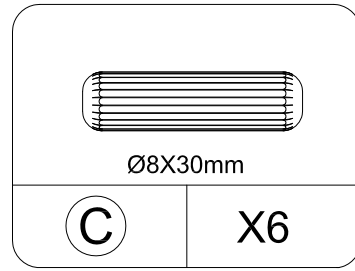
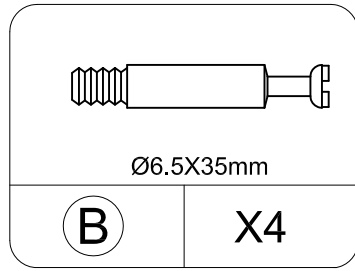
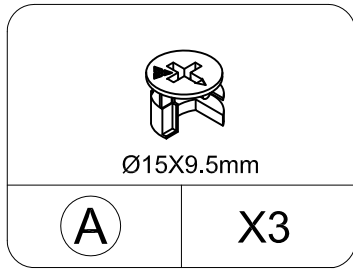
# STEP4



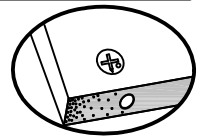
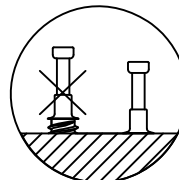
Insert the cam bolt into the hole first, then insert the cam lock and lock it.



# STEP 5

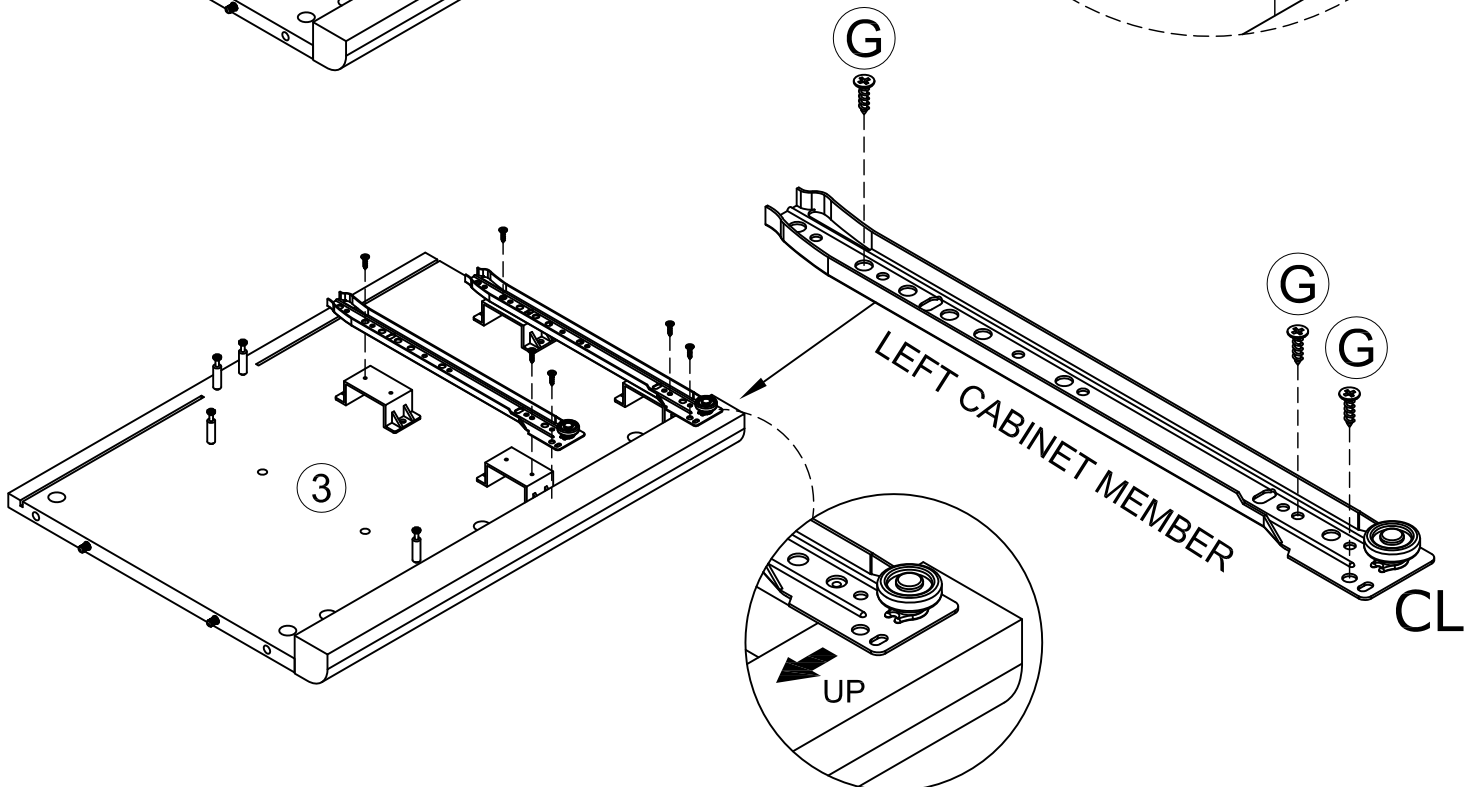
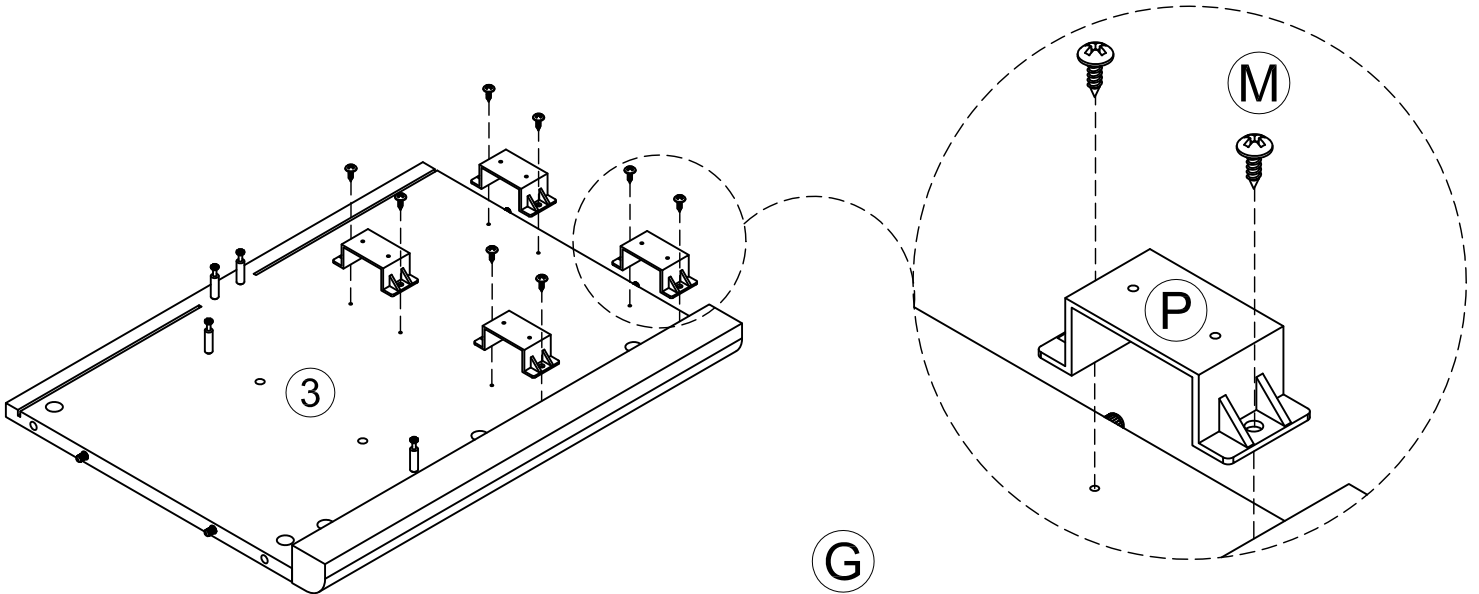
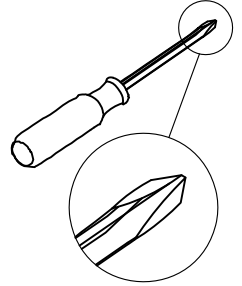
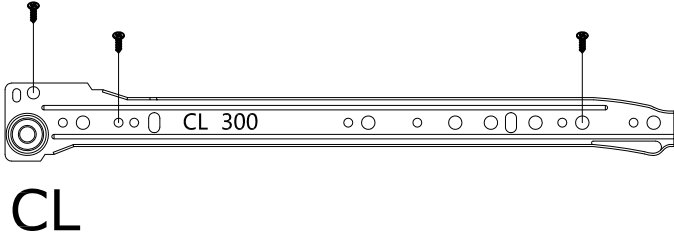
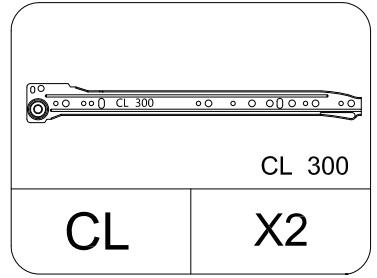
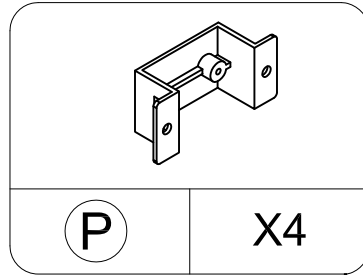
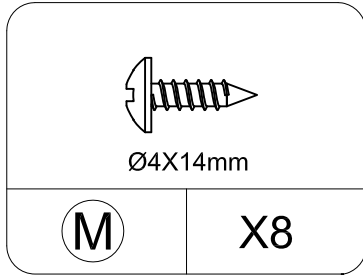
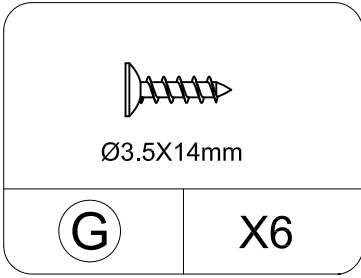


Insert the cam bolt into the hole first, then insert the cam lock and lock it.

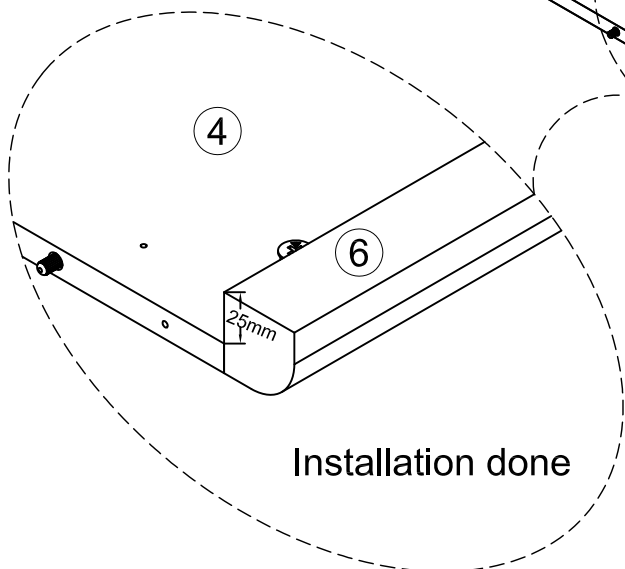
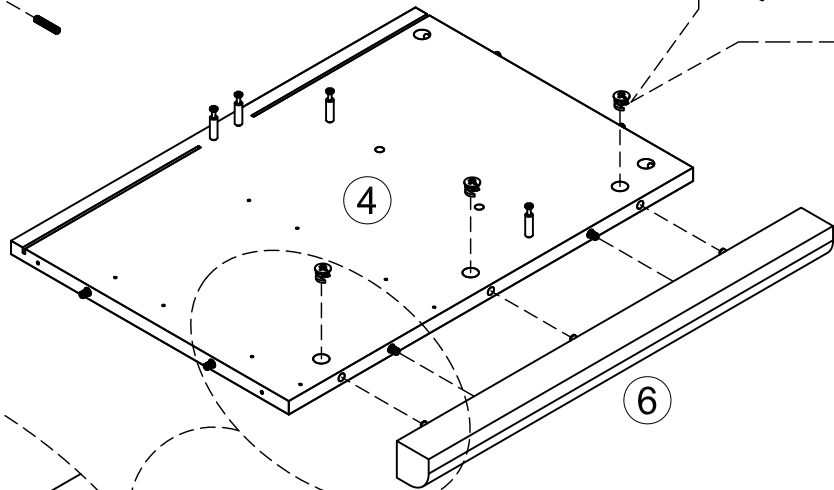
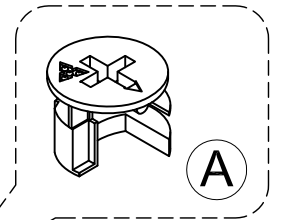
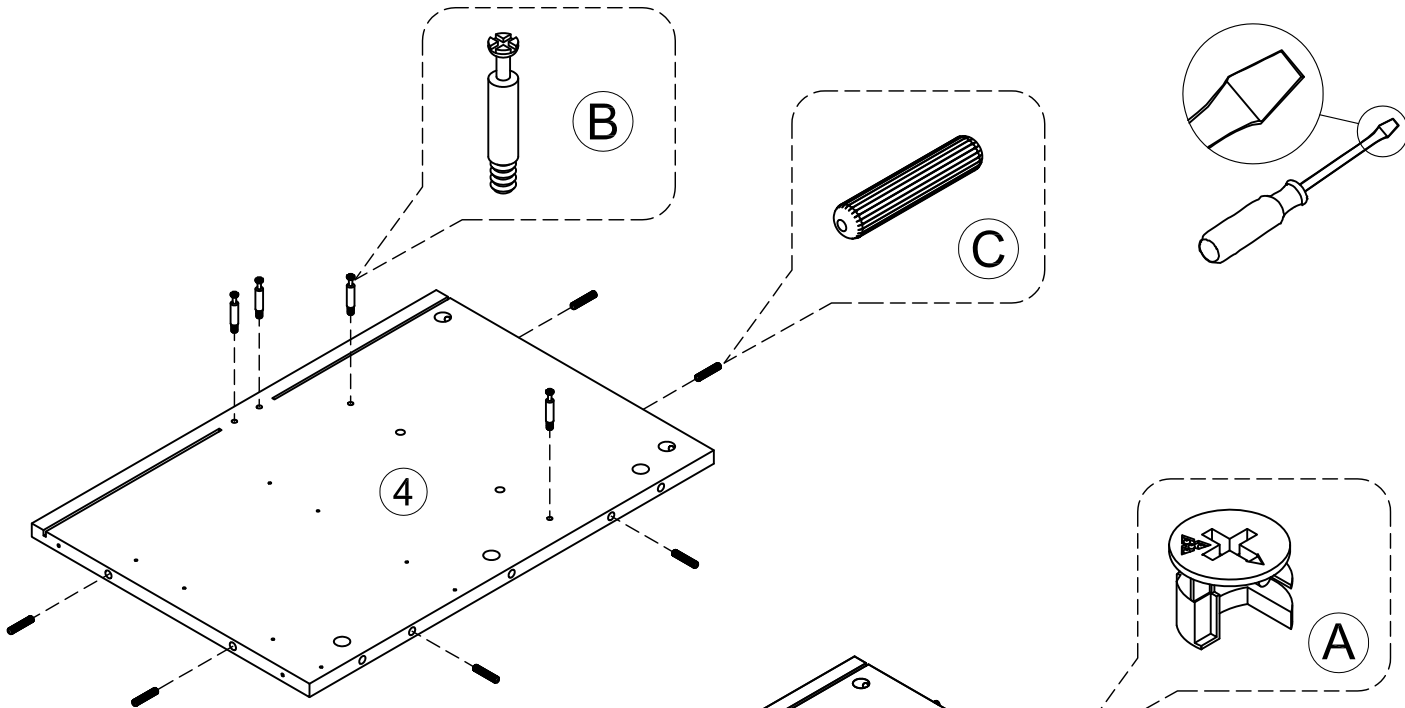
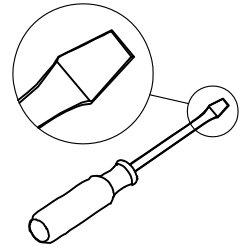
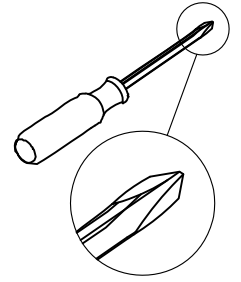
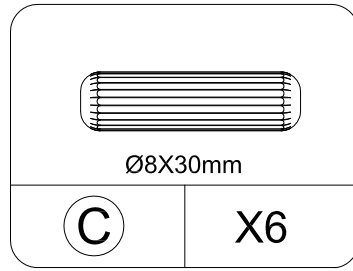
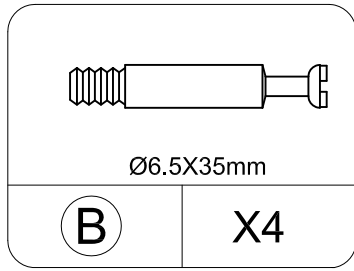
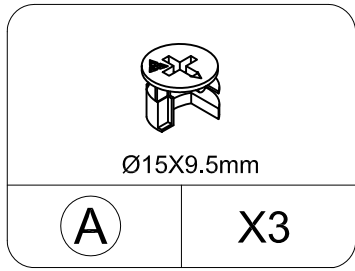


Proper orientation of CAM LOCK

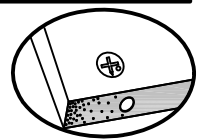
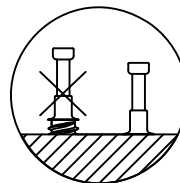
# STEP 6



# STEP 7

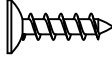


Insert the cam bolt into the hole first, then insert the cam lock and lock it.



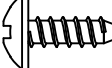
Proper orientation of CAM LOCK

# STEP 8



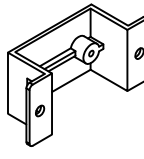
Ø3.5X14mm

<b>G</b>	<b>X6</b>
----------	-----------




Ø4X14mm

<b>M</b>	<b>X8</b>
----------	-----------

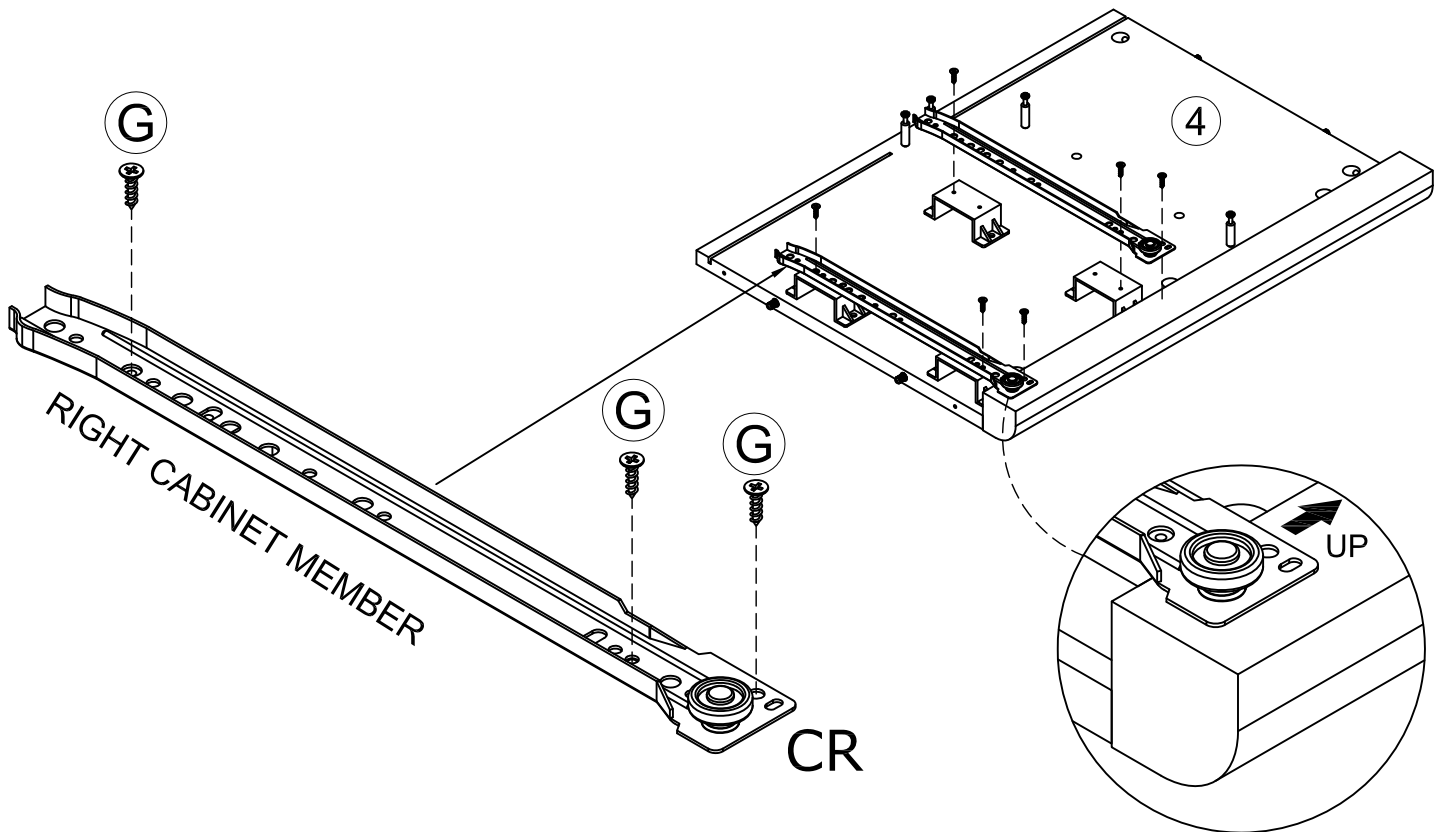
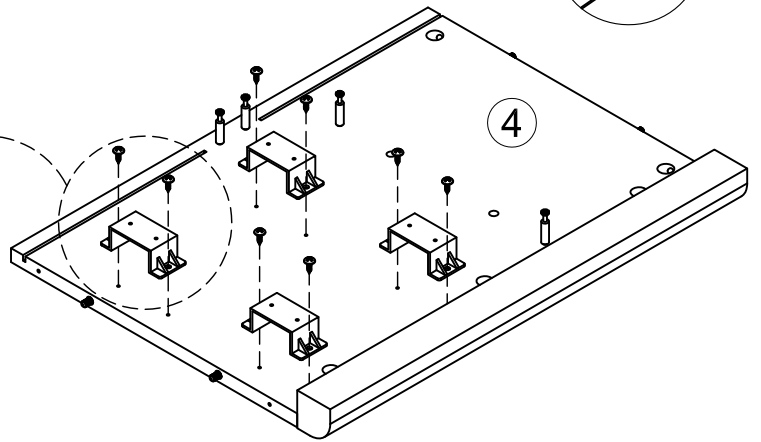
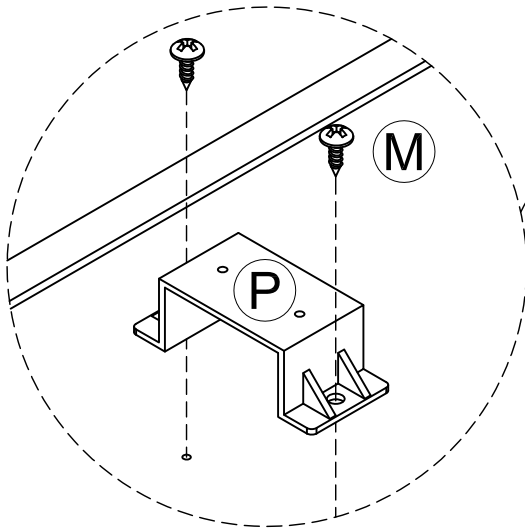
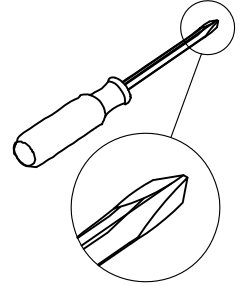
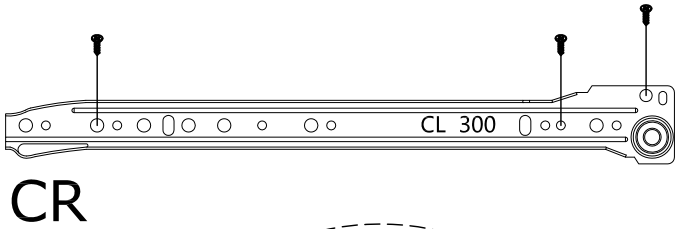


<b>P</b>	<b>X4</b>
----------	-----------

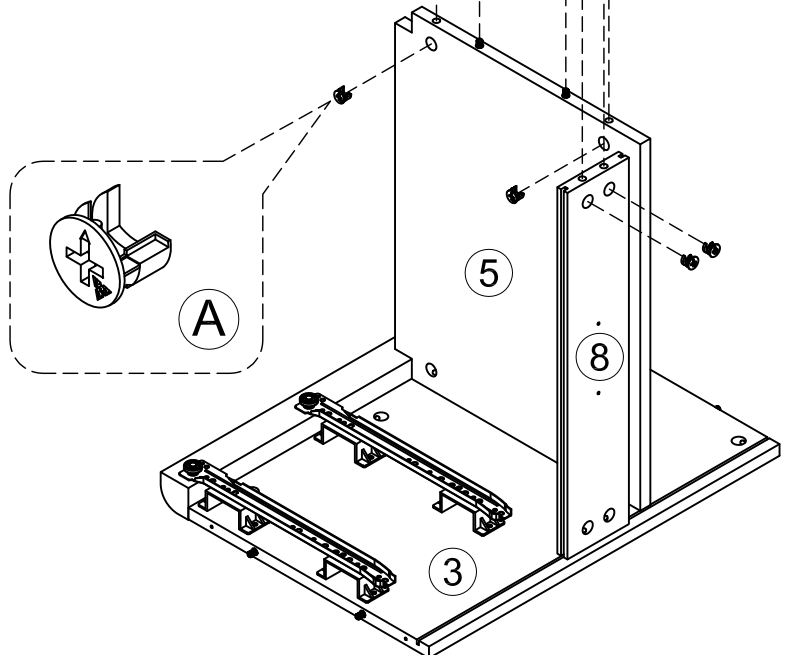
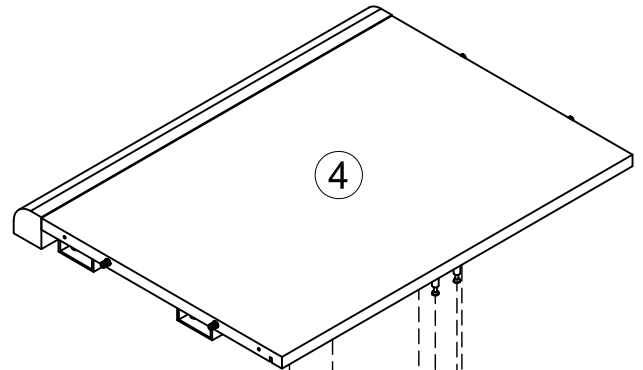
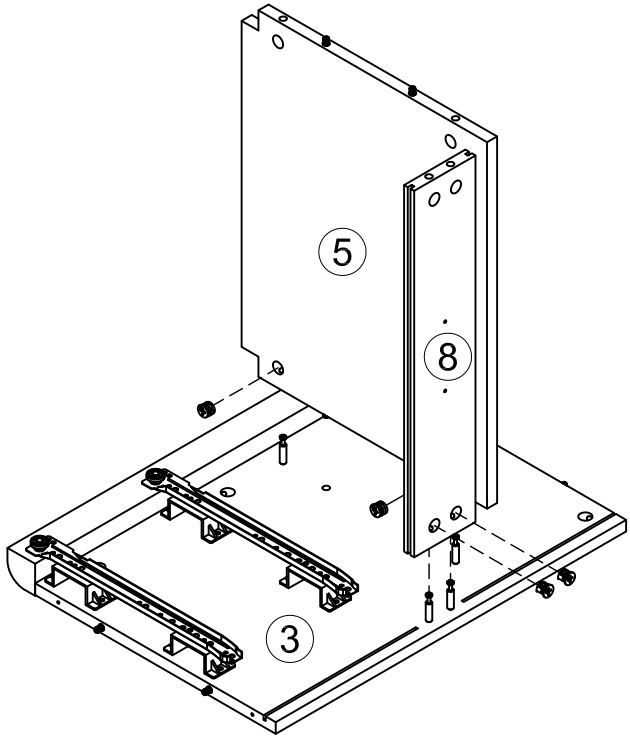
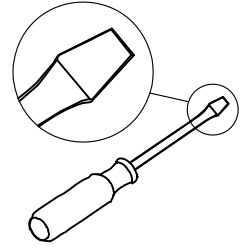
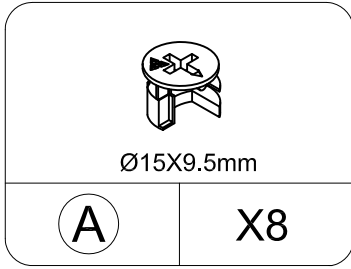


CR 300

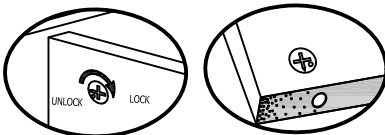
<b>CR</b>	<b>X2</b>
-----------	-----------



# STEP 9

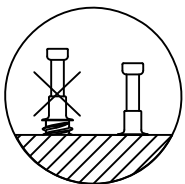
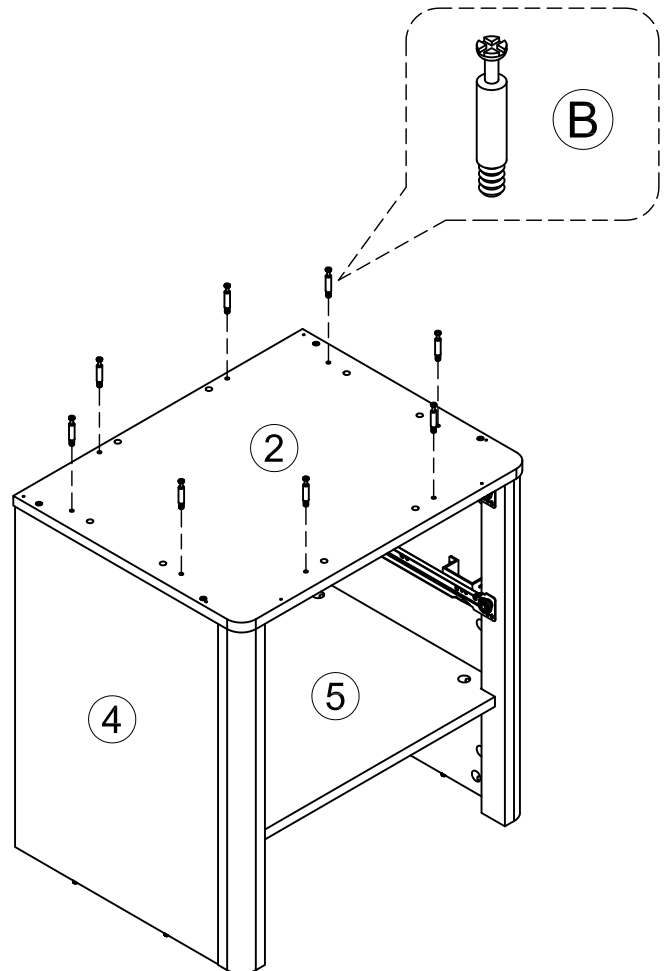
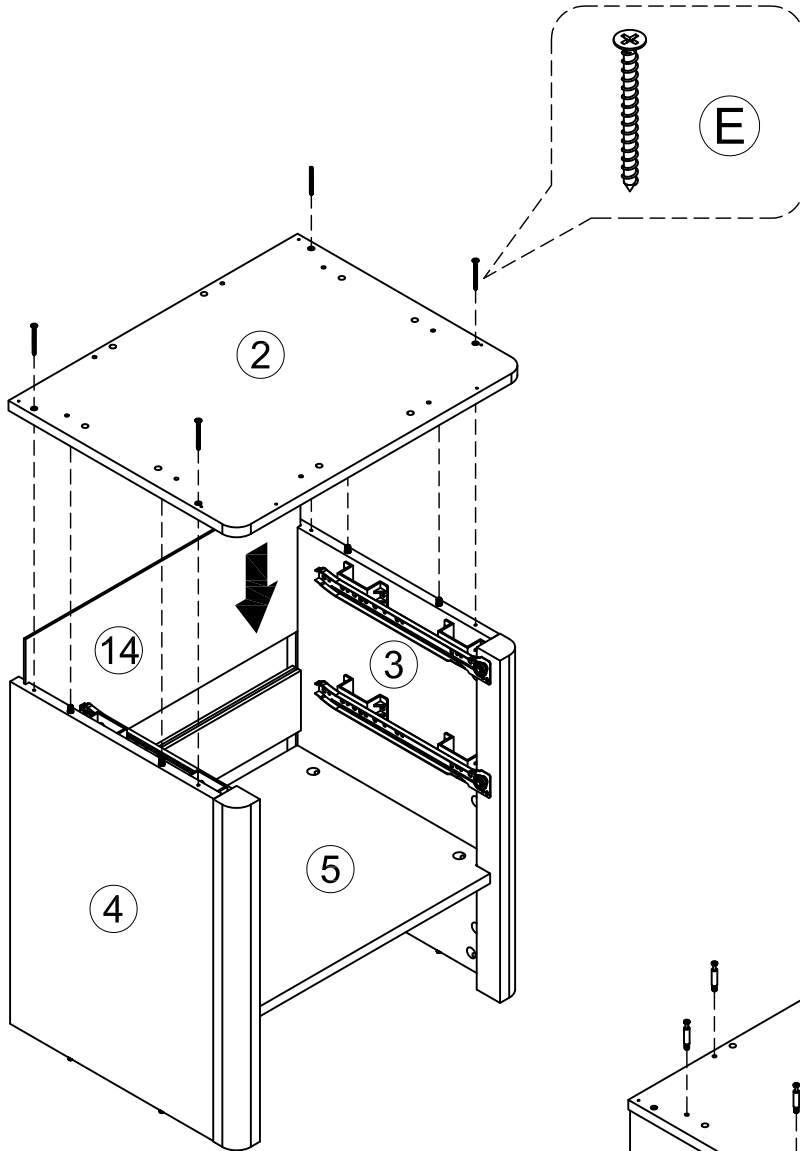
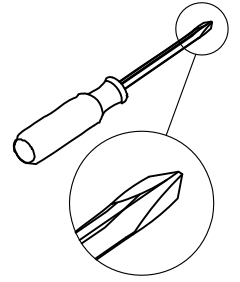
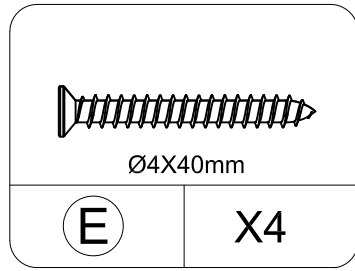
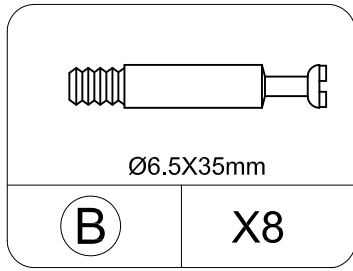


Insert the cam bolt into the hole first, then insert the cam lock and lock it.

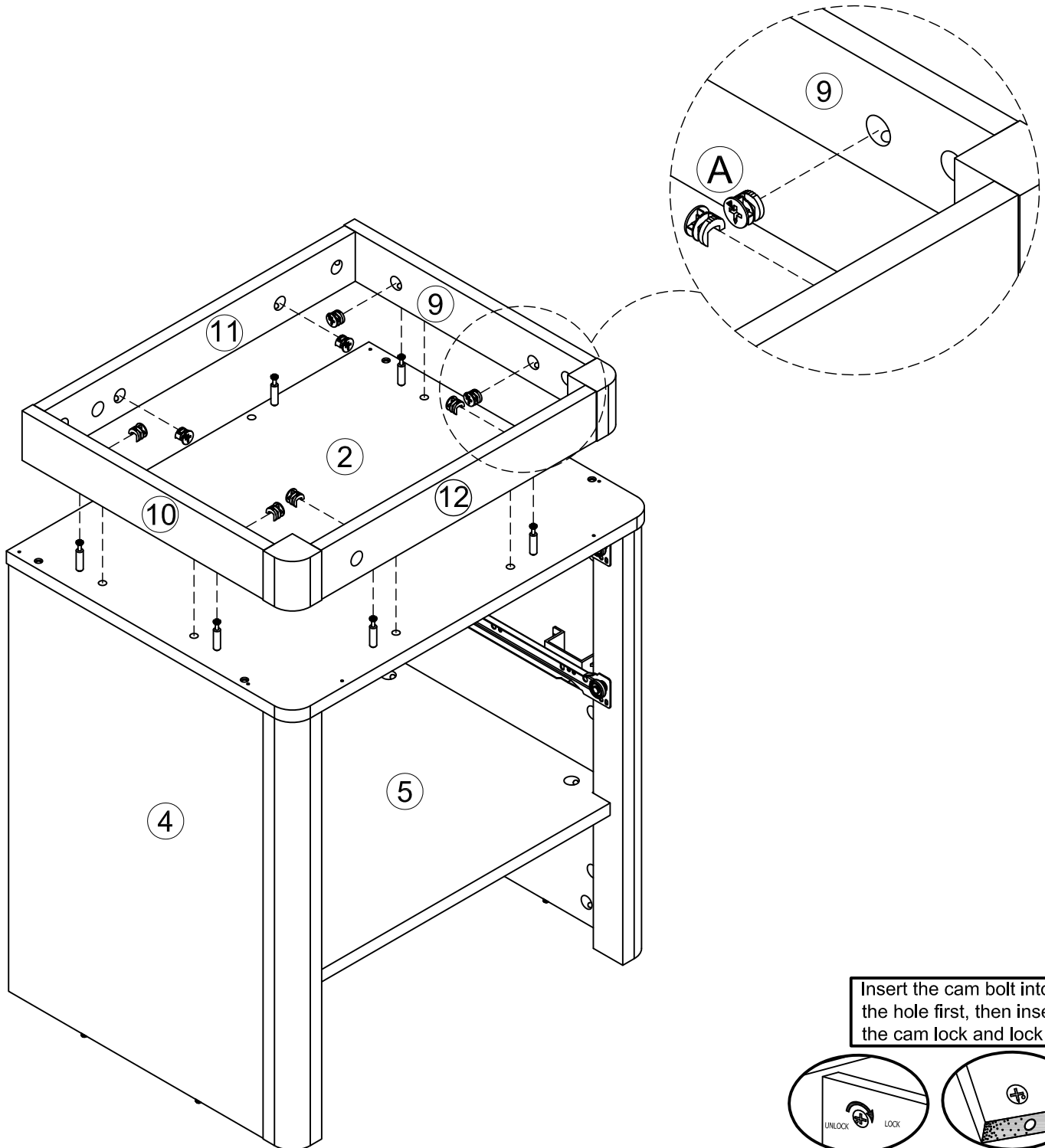
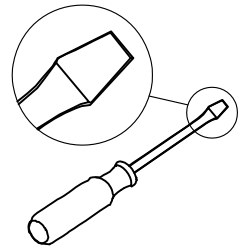
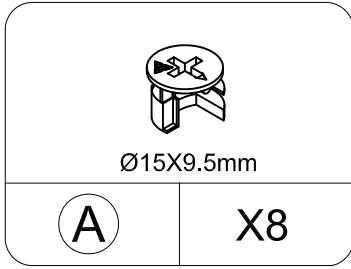


Proper orientation of CAM LOCK

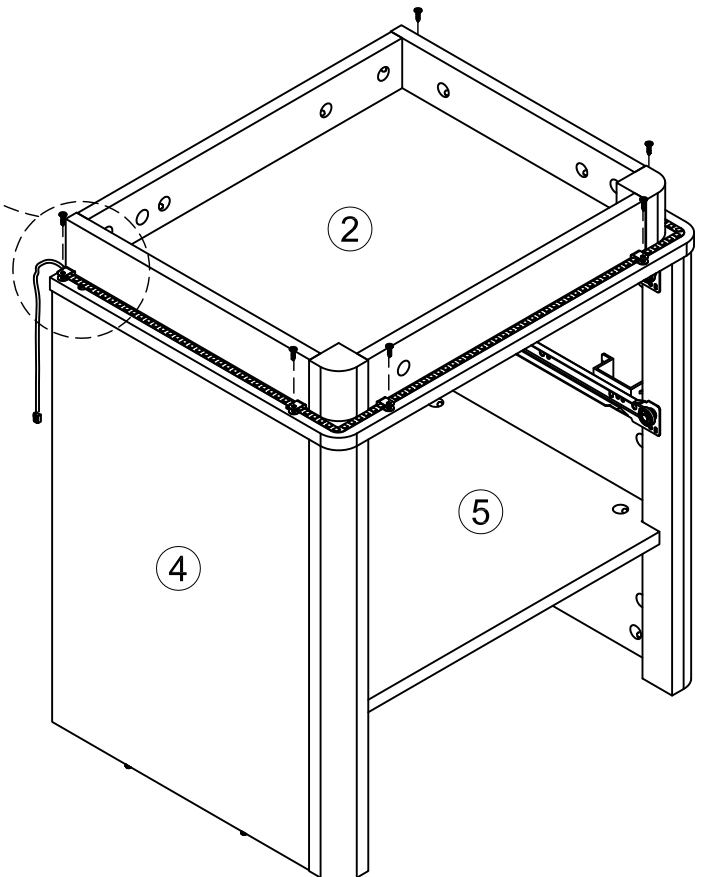
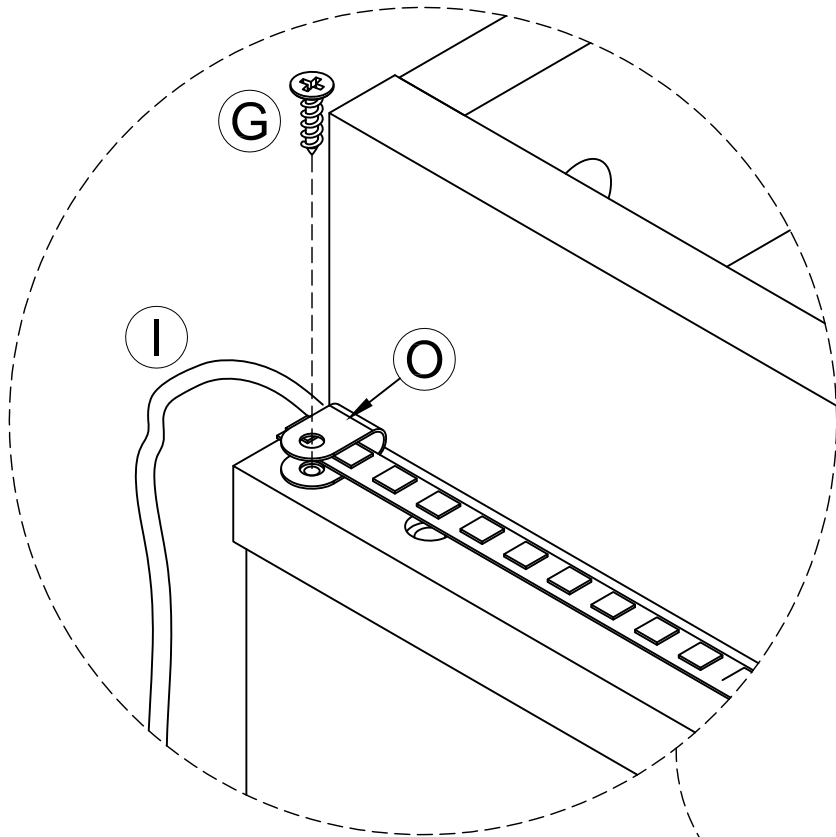
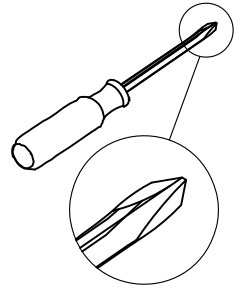
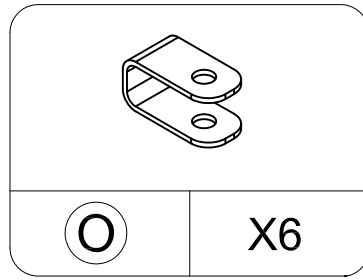
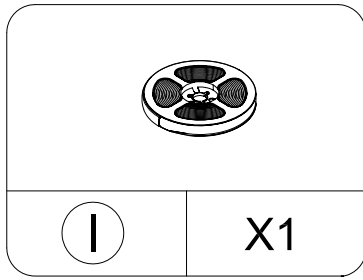
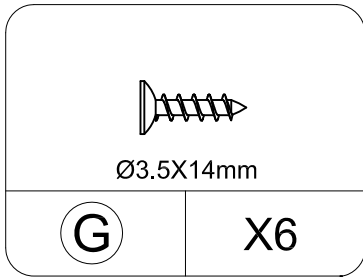
# STEP 10



# STEP 11

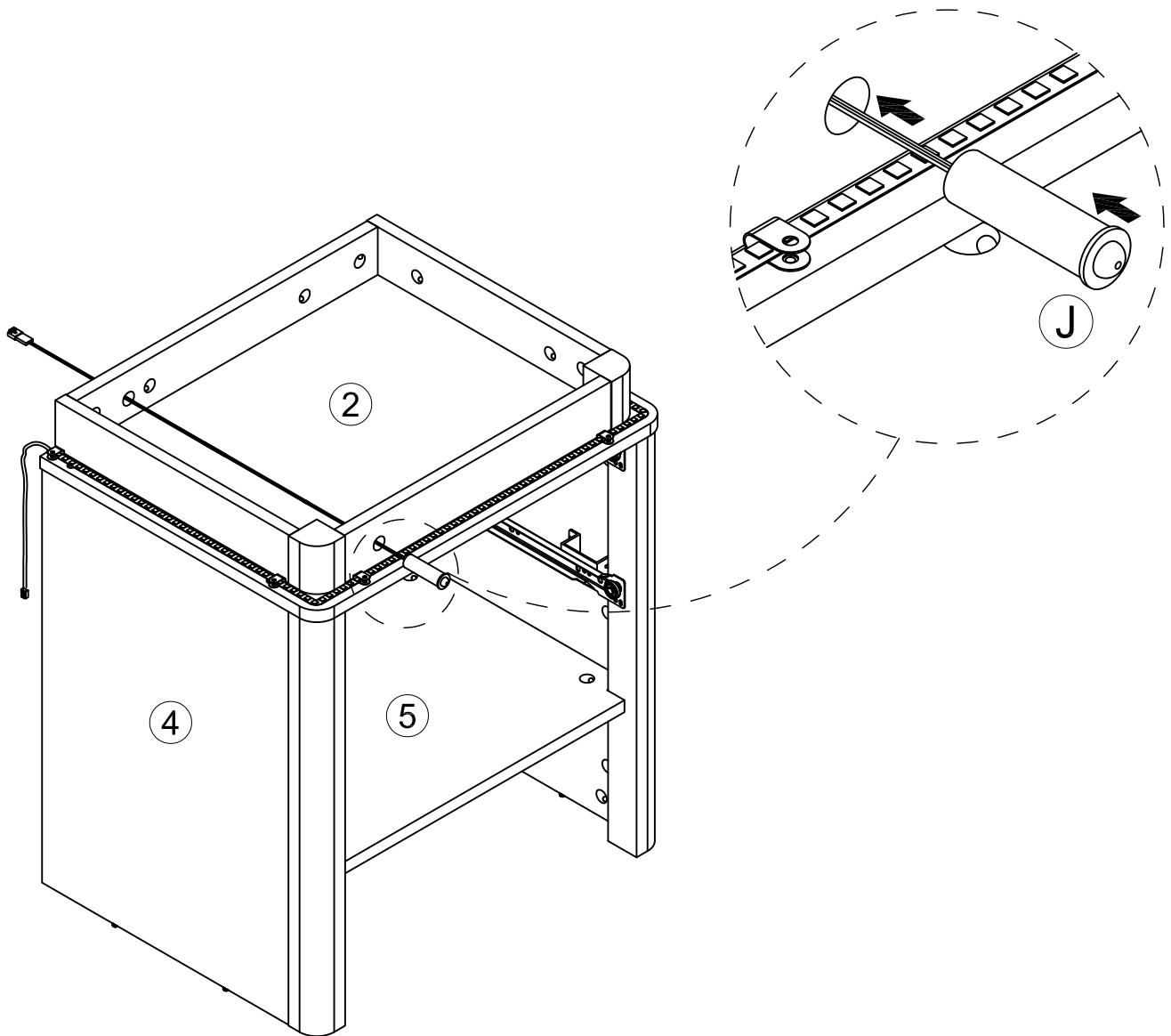
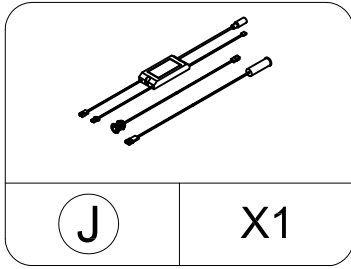


# STEP12

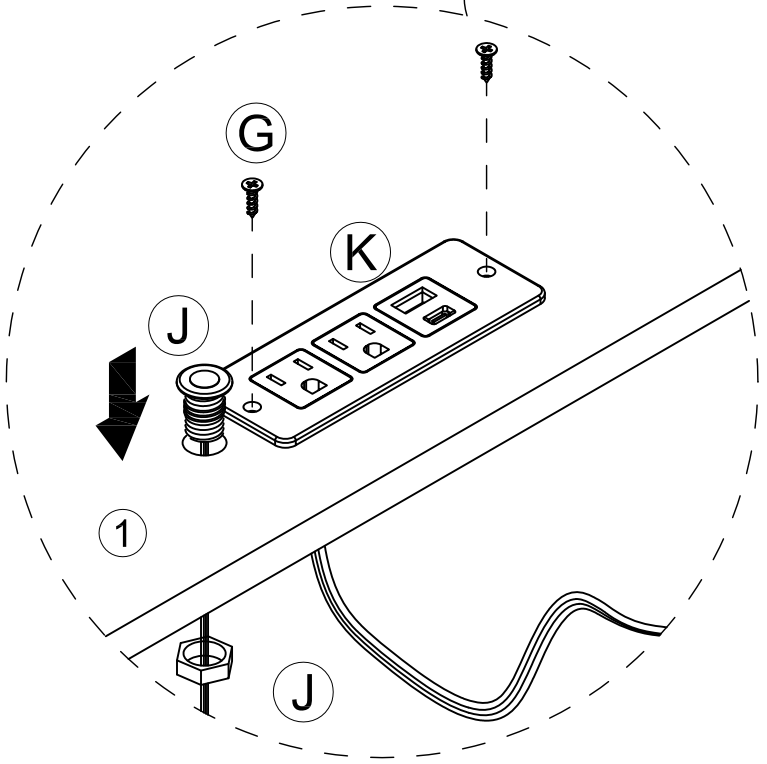
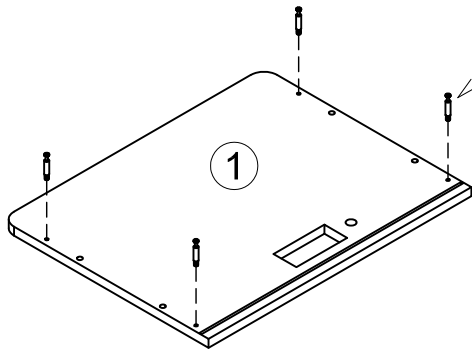
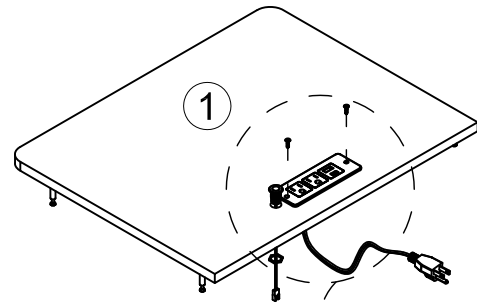
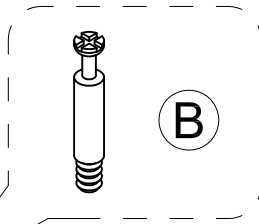
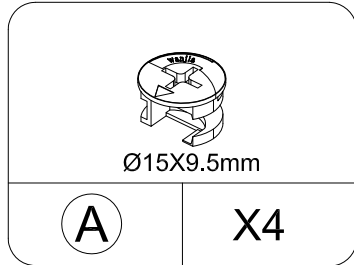
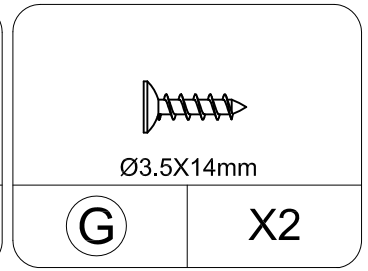
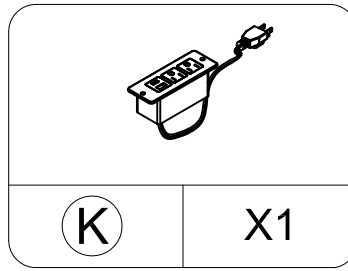
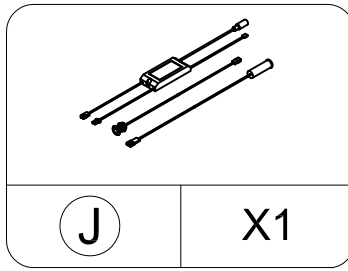
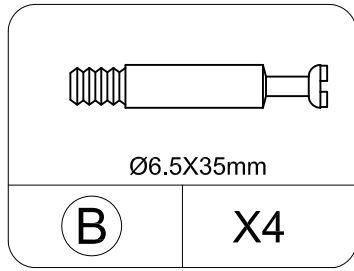


# STEP13

---

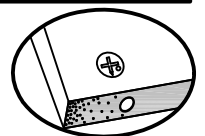
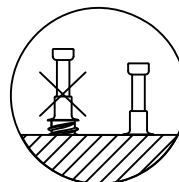


# STEP14

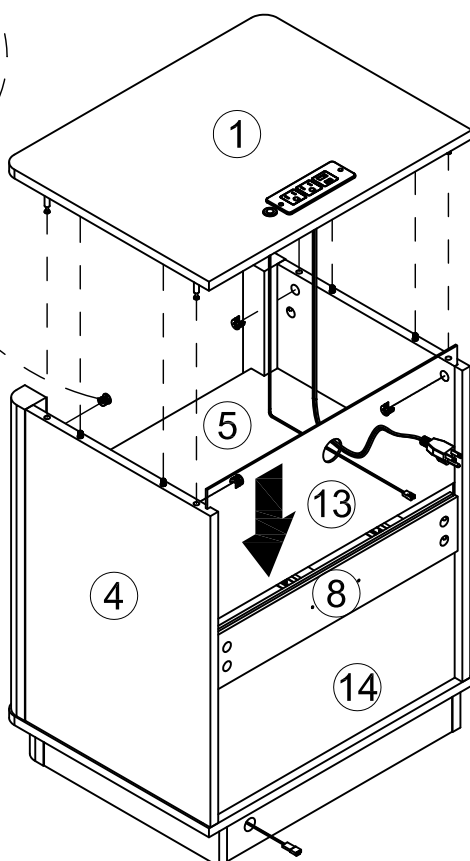


First, unscrew the nut counterclockwise. Then insert the switch into Panel No.1. Finally, tighten the nut."

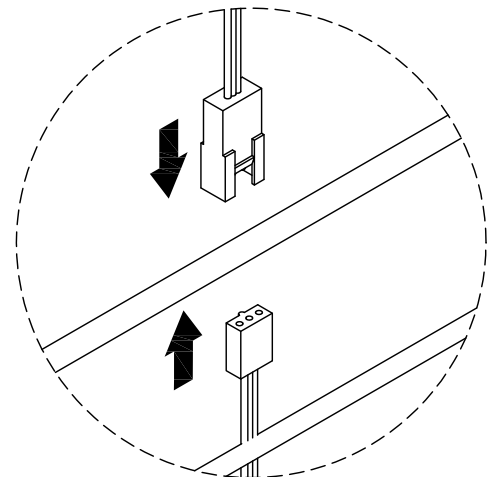
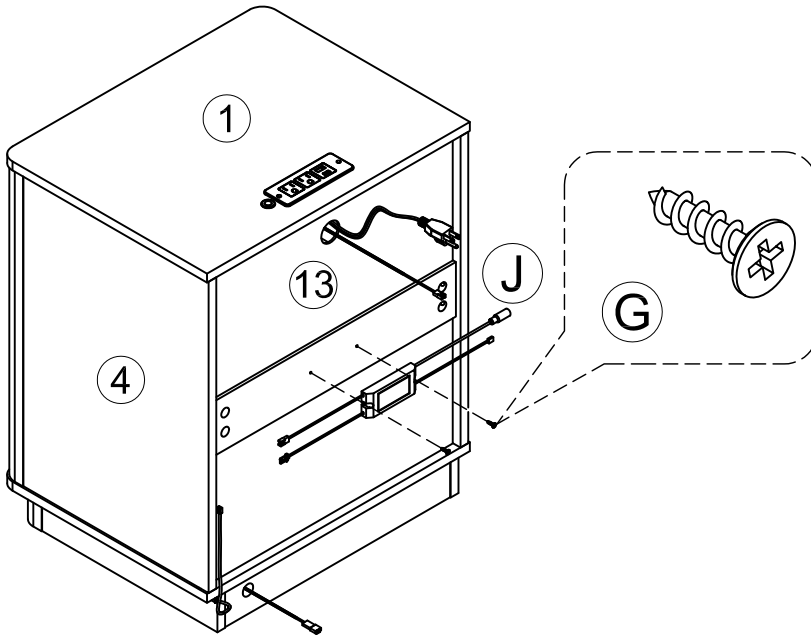
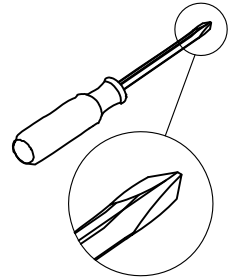
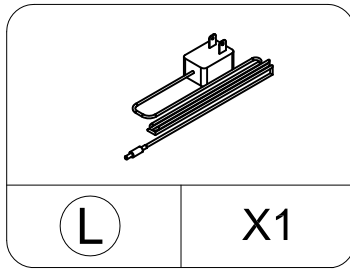
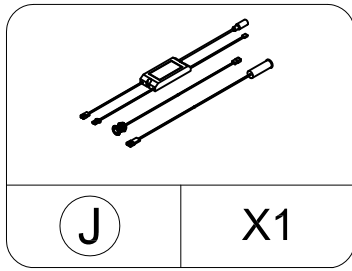
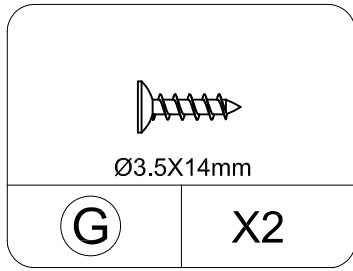
Insert the cam bolt into the hole first, then insert the cam lock and lock it.



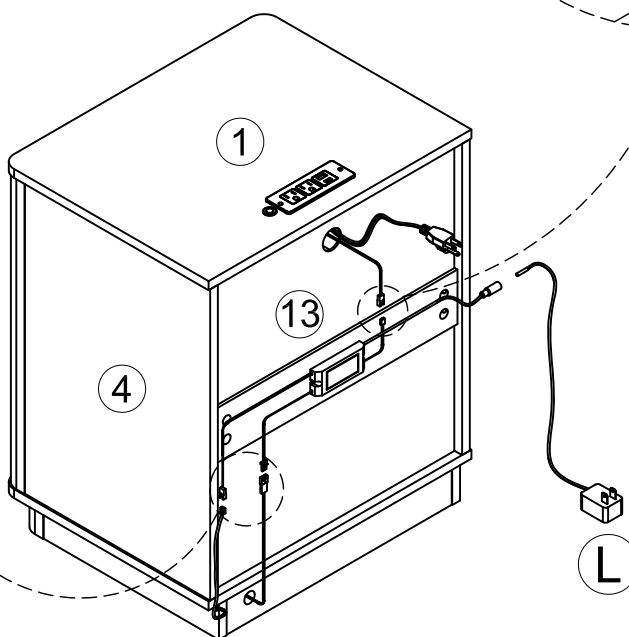
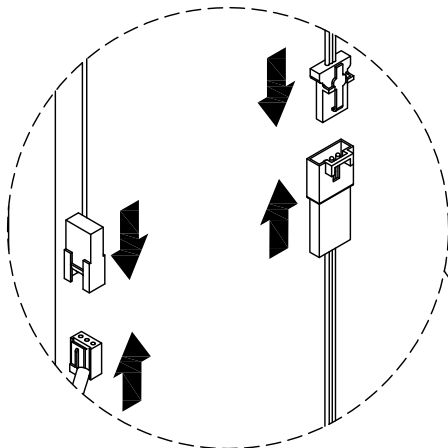
Proper orientation of CAM LOCK



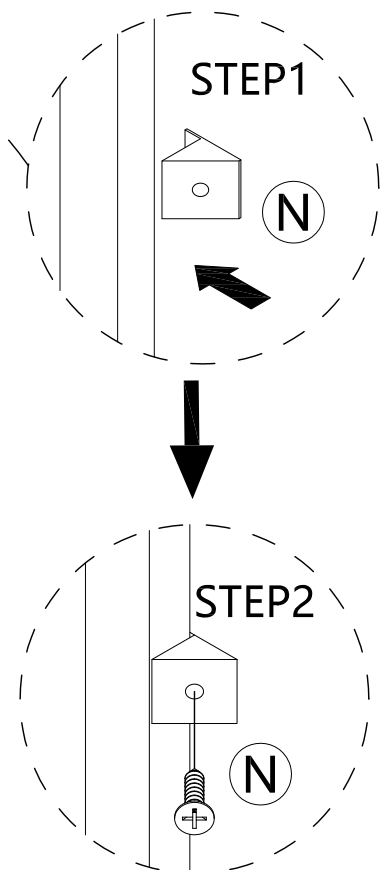
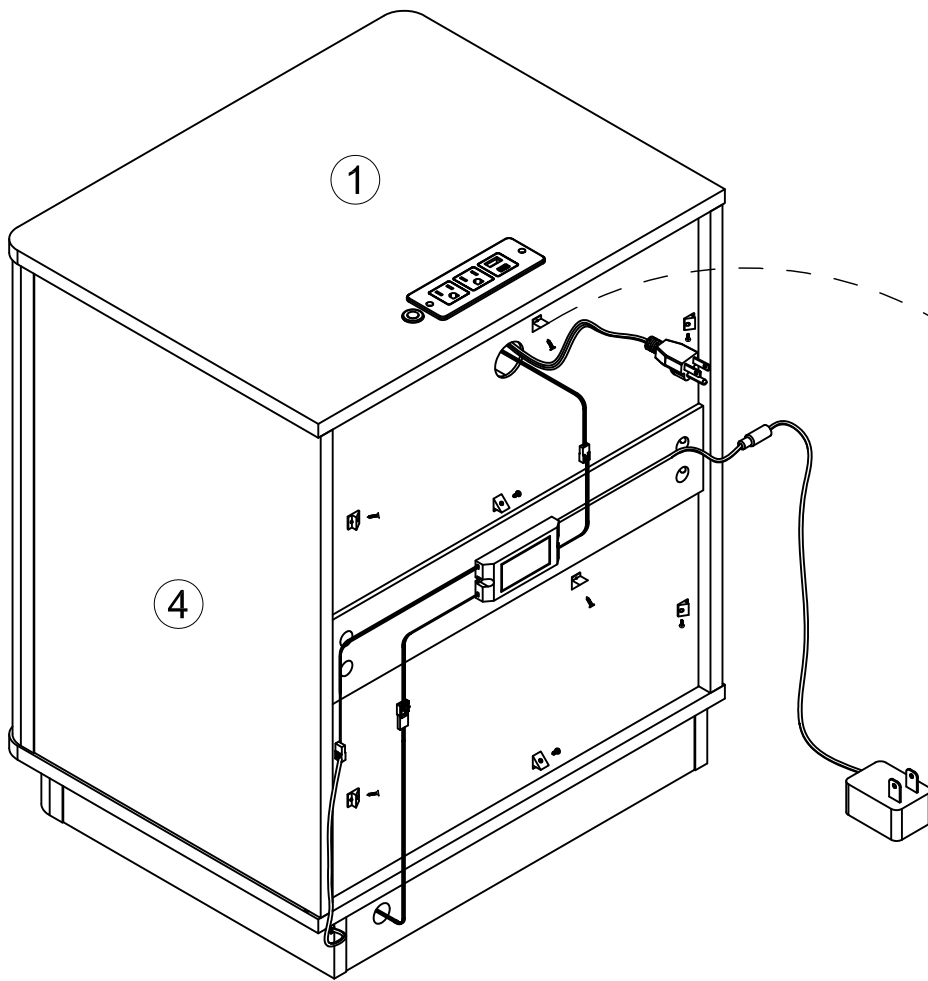
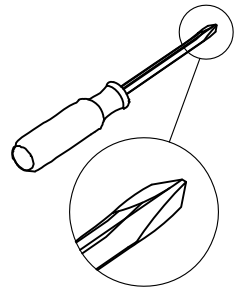
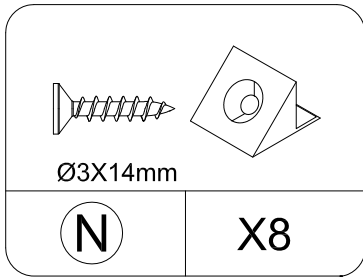
# STEP 15



During installation, note that each connector is uniquely paired

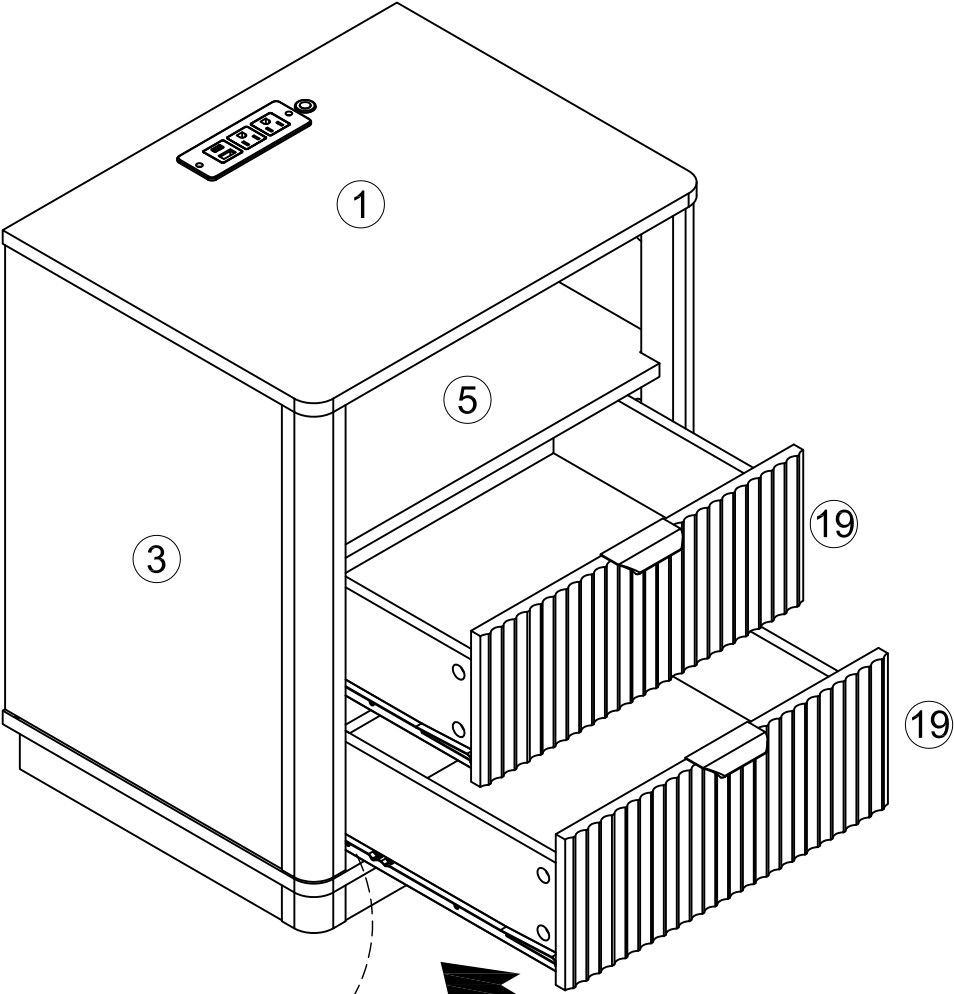


# STEP16

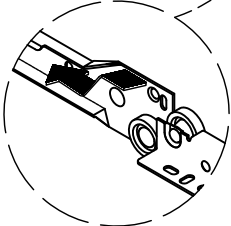


# STEP 17

---



Cabinet Slide



Drawer Slide