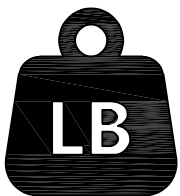


NOTE:

This brochure contains **IMPORTANT** safety info. Please read and keep for future reference.

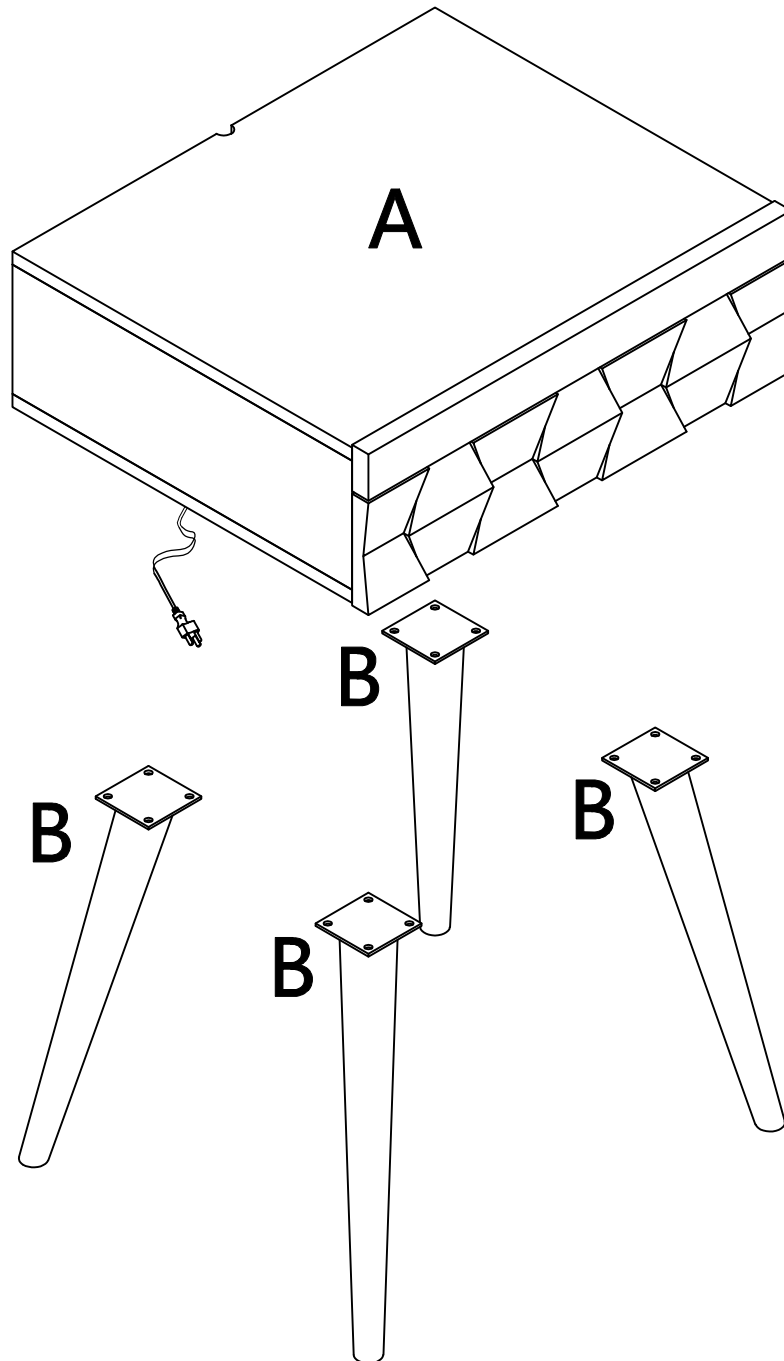
MAINTENANCE AND WARNING

- 1.Keep furniture away from heat sources.
- 2.Do not clean furniture with harsh cleaner or polishes.Do not use detergents,solvents,abrasives,spray packs or leather cleaner. Use non-color mild soa with warm water to clean spills(Mix 1:10 soap to water).
- 3.Do not place furniture under direct sunlight,material will possibly fade over time.
- 4.Do not use on site dry cleaning machine.Children should not climb or jump on the furniture.
- 5.Do not write on furniture that is not protectedby a padded barrier.
- 6.Not for commercial use,only for residential use.

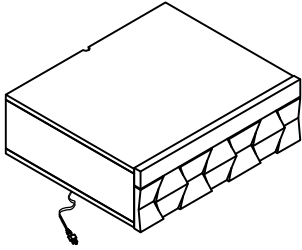
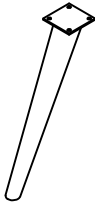


Weight Limitation
100 LBS

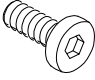



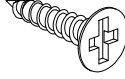



EXPLOSIVE VIEW




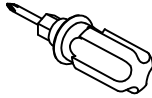
PARTS LIST

A	x 1	B	x 4
			

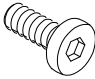


HARDWARE LIST

#1	x16	#2	x16	#3	x16	#5	x2	#6	x2
									
$\phi 1/4" * 4/3"$		1/4"		1/4"				$\phi 3.5 * 14mm * 6\#$	
#7	x2	#8	x2	#9	x1				
									
$\phi 3.5 * 35mm * 7\#$									

TOOL LIST

#4	x 1	#10	x1
			
M4			

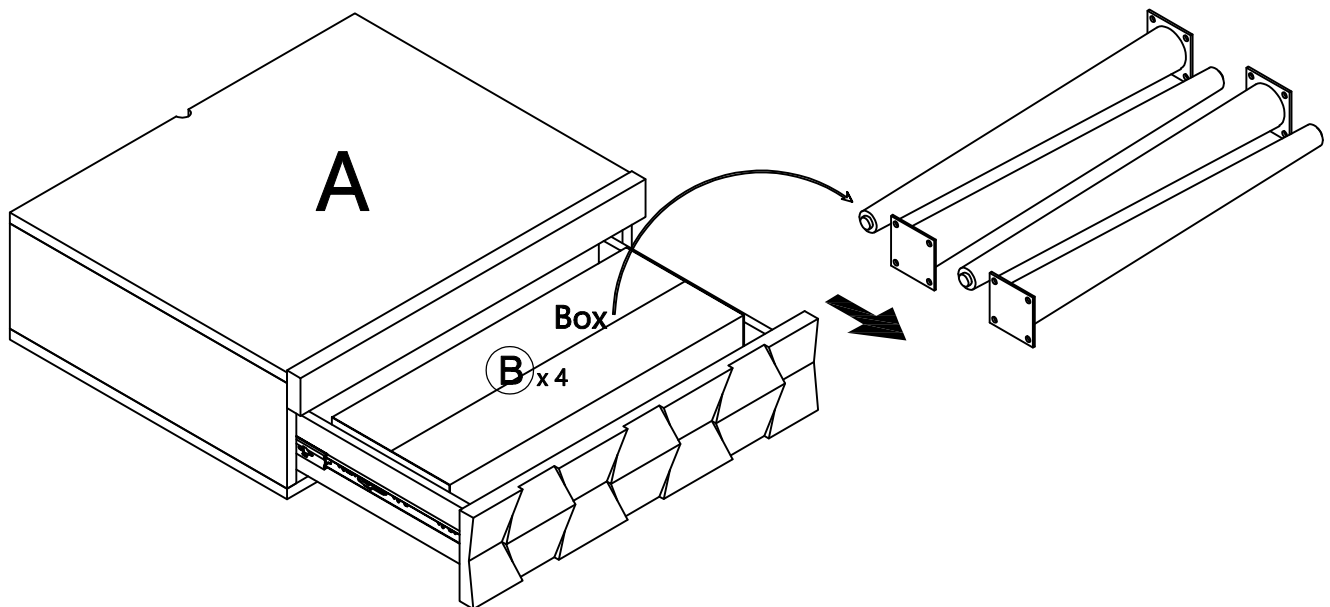
HARDWARE SPARE LIST

#1	x1	#2	x1	#3	x1
					
$\phi 1/4" * 4/3"$		1/4"		1/4"	

ASSEMBLY INSTRUCTIONS

STEP-1

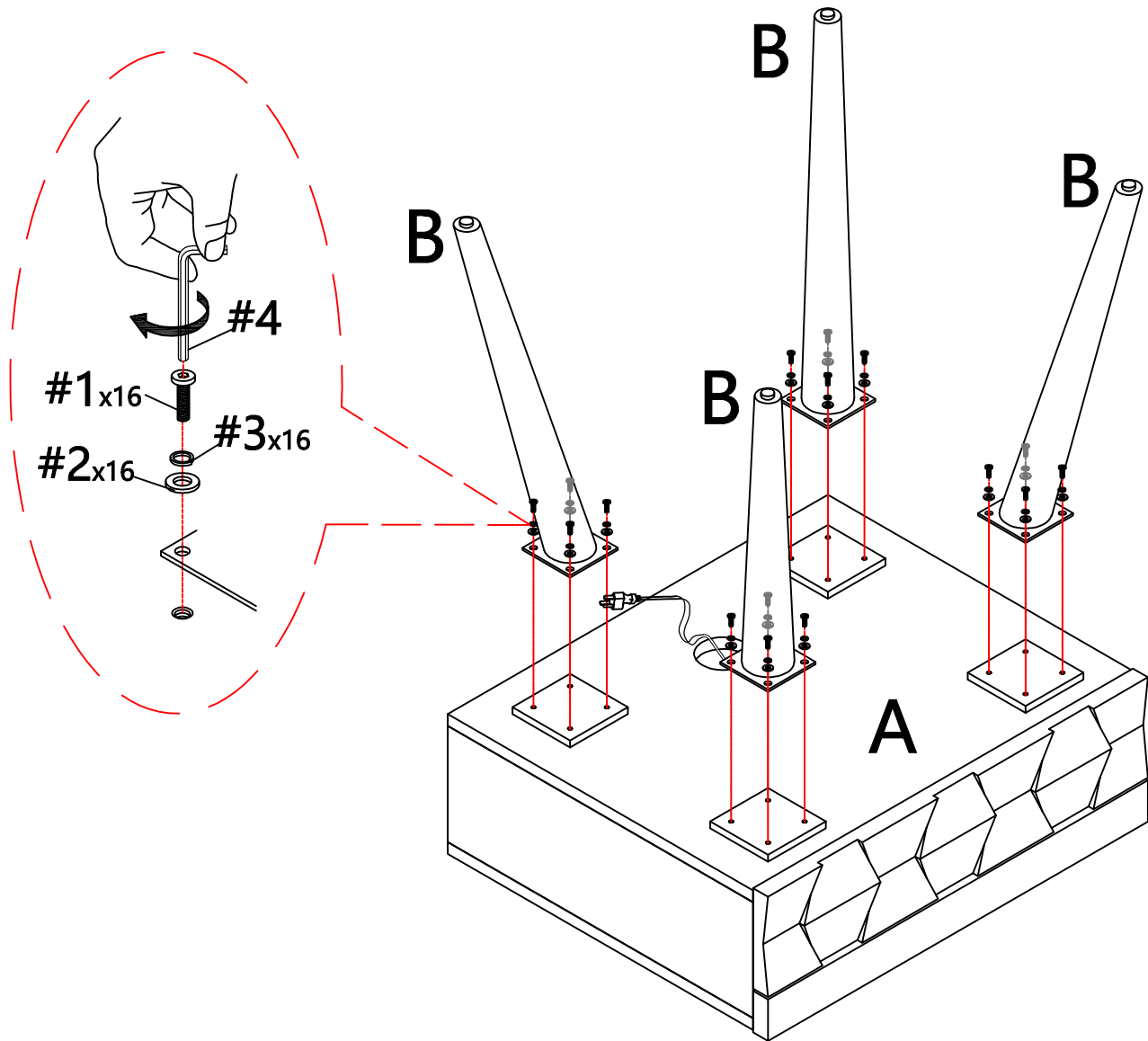
1. open the drawer, take out the legs from the drawer.

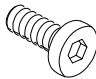


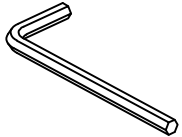


ASSEMBLY INSTRUCTIONS

STEP-2

1. connect part B to part A with bolt #1, flat washer #2 and spring washer #3, tight bolt with allen wrench #4.

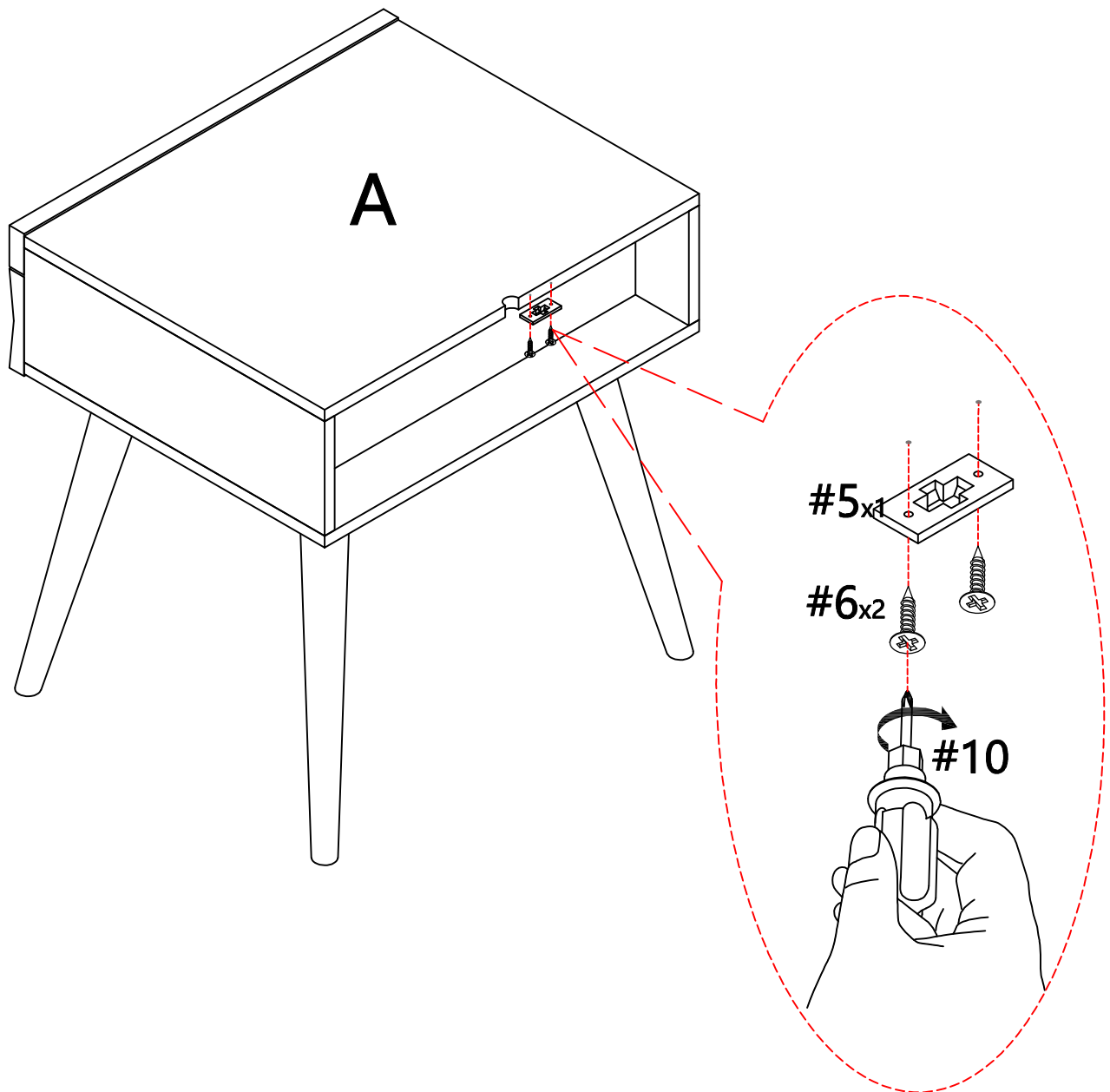


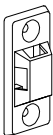

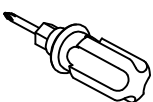
#1	x16	#2	x16	#3	x16	#4	x1
							
$\phi 1/4" * 4/3"$		1/4"		1/4"		M4	

ASSEMBLY INSTRUCTIONS

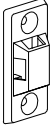

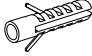
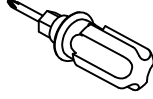
STEP-3

1. connect part #5 to part A with screw #6, tight screw with screwdriver #10.



#5	x1	#6	x2	#10	x1
					
		ø3.5*14mm*7#			

ASSEMBLY INSTRUCTIONS

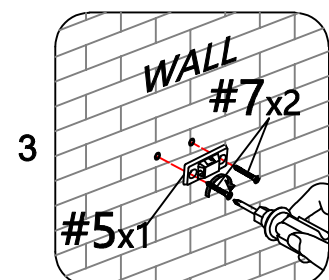
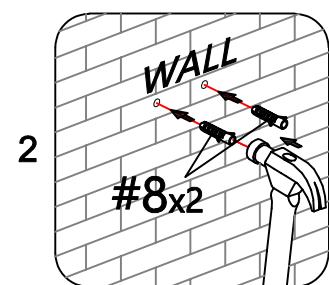
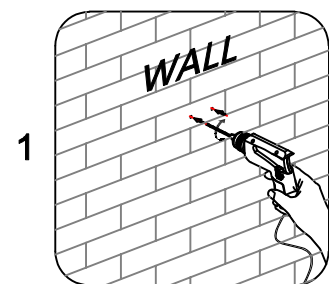
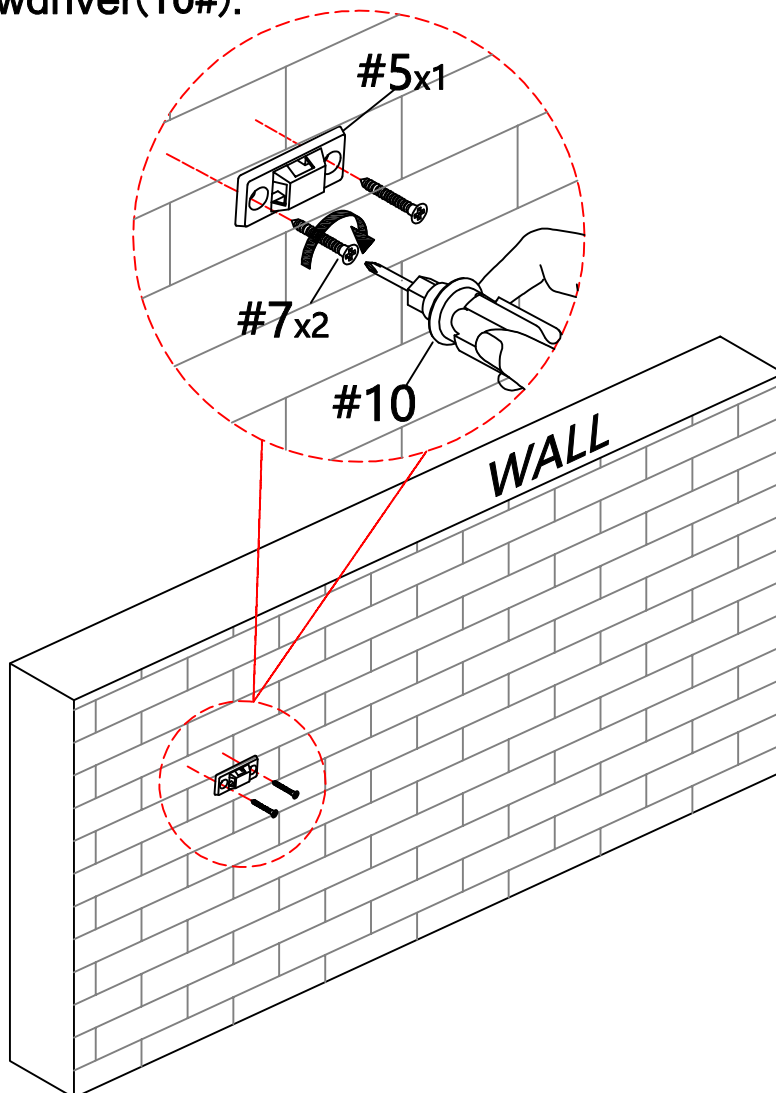
#5	x1	#7	x2	#8	x2	#10	x1
							
		Ø3.5*35mm*7#					

STEP-4


1. Install the anti-collapse device.

2. Mark the position on the wall, that corresponds to the location of part (5#) on the Top panel (A); Drill and insert the expandable screw (8#) by hammer.

3. Assemble the part (5#) to the wall. Align the hole in the part (5#) with the expandable screw (8#), use screw (7#) to attach it and tighten by screwdriver (10#).

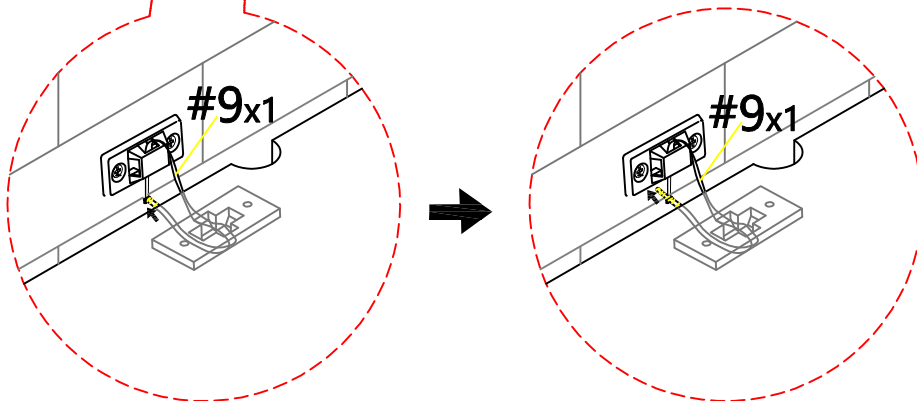
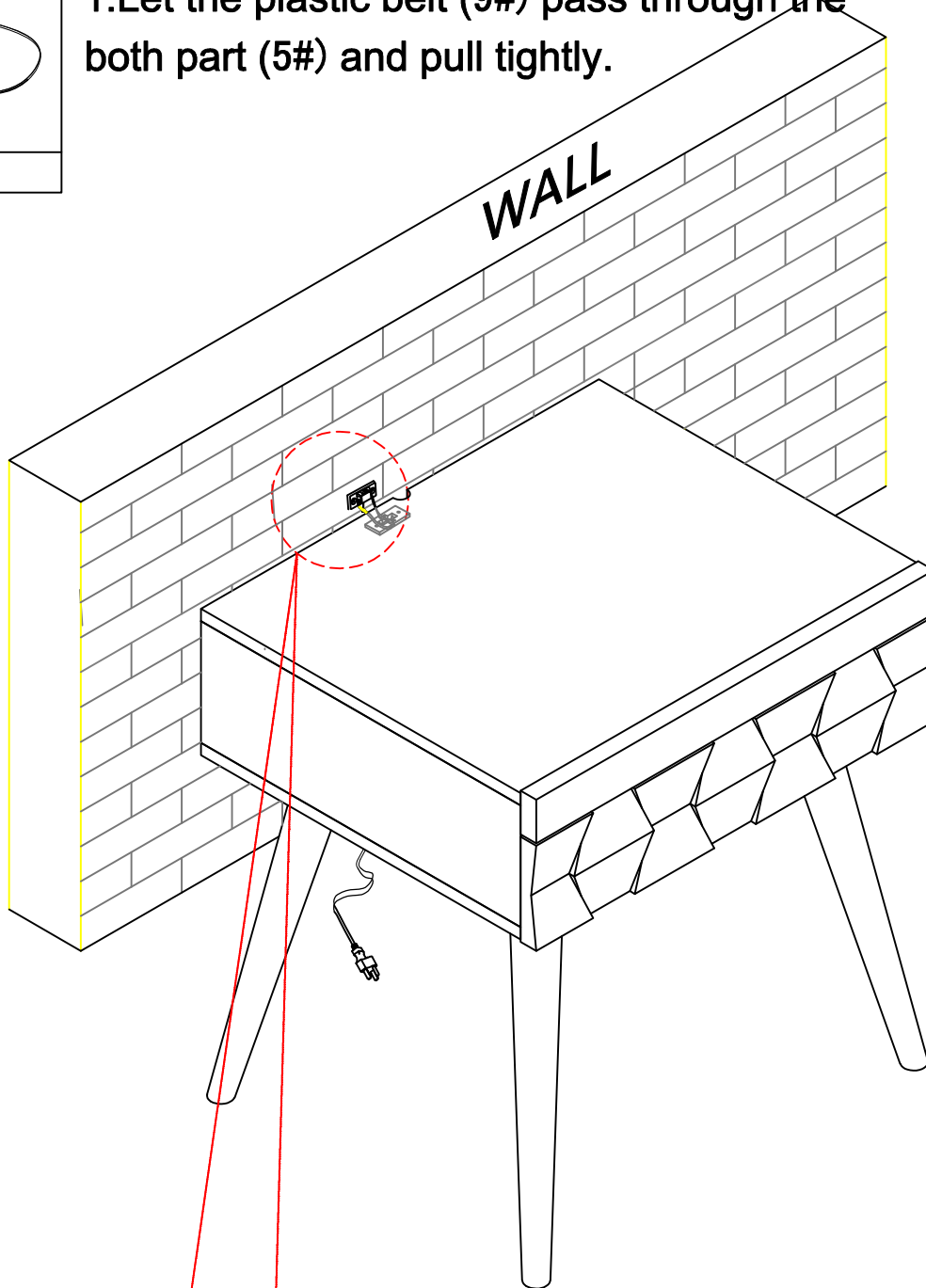


ASSEMBLY INSTRUCTIONS

#9	x1
	

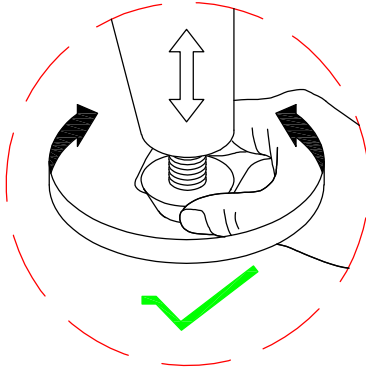
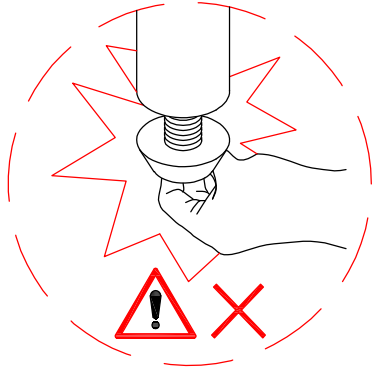
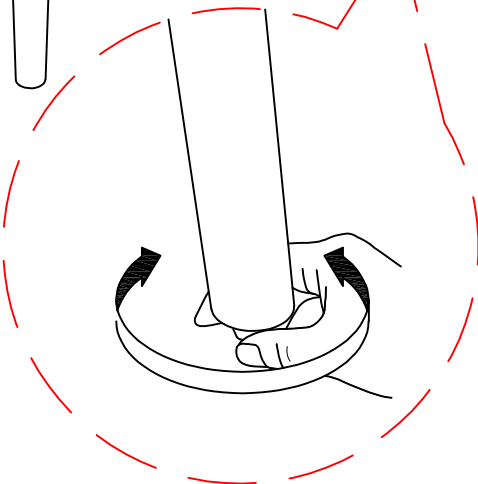
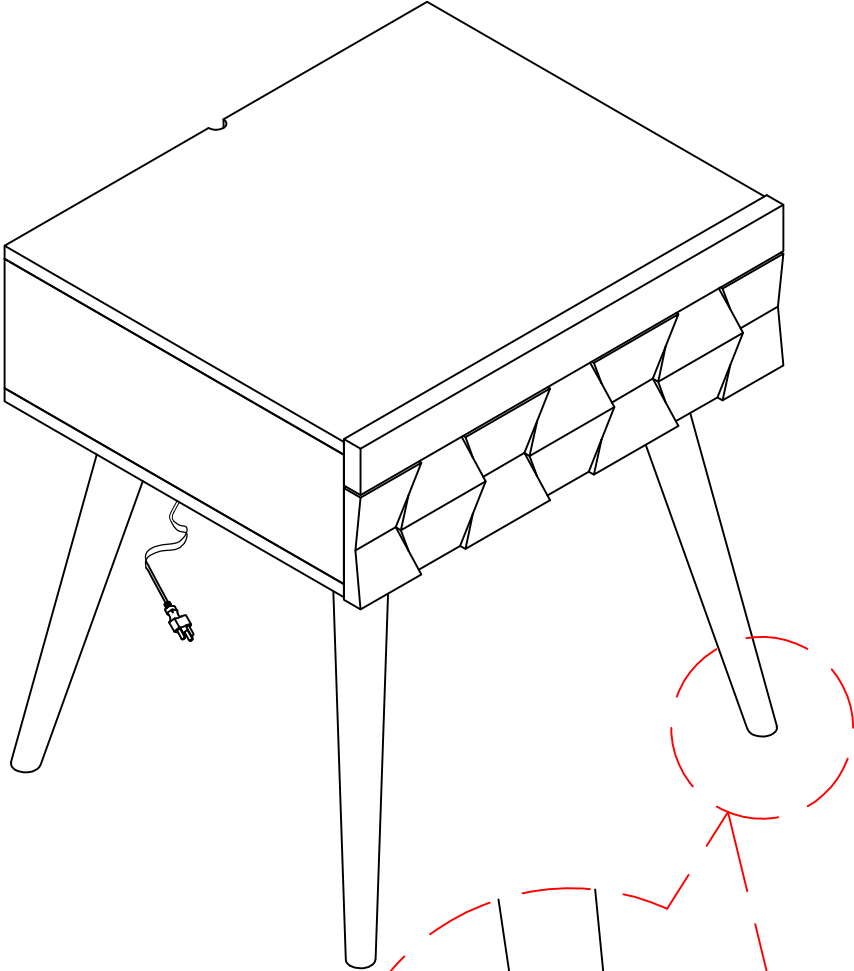
STEP-5

1. Let the plastic belt (9#) pass through the both part (5#) and pull tightly.



ASSEMBLY INSTRUCTIONS

STEP-6



WARRANTY

1. We strive to offer high-quality products, and we also try our best to satisfy each and every customer that orders from us with product or service as needed.
2. We provide 30 days warranty starting from the time you receive the item. Each customer must provide a record of their order such as the order number, or item receipt for any items that are out of the warranty period you may also still receive.
3. Replacement parts by purchasing them with our company if they are available.