

Hardware List

No.	Hardware List		Q'ty
A		Bolts Ø1/4" x 3/4"	6pcs
B		Spring Washers Ø1/4"	6pcs
C		Flat Washers Ø1/4" x Ø16mm	6pcs
D		Allen Wrench 4mm	1pc
E		Bolts Ø1/4" x 1/2"	6pcs

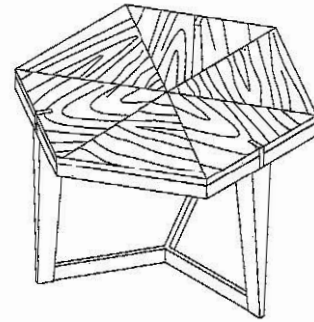
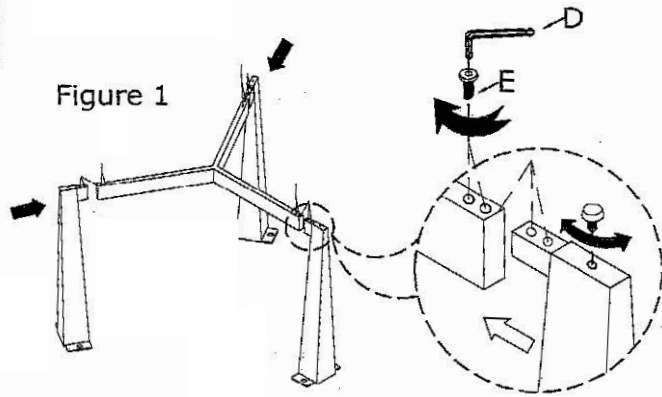


Figure 1



TOOLS REQUIRED:

Allen Wrench (supplied, part # D)

BEFORE YOU START:

1. Check the parts against the parts list to make sure all items are present.
2. Assemble your furniture on a soft, flat surface to avoid scratching the finish.
3. **CAUTION:** Do not over tighten screws, nuts or bolts during assembly.
4. Your furniture may require occasional tightening.

INSTRUCTIONS:

1. Attach the Leg to the Stretcher using Bolts(E) , tighten with Allen wrench (D) as shown Fig 1.
2. Turn the Table upside down on a clean soft surface. Attach the base to the Top using Bolts(A), Spring Washer (B) and Flat Washer(C) put all bolts in places first and align the leg top to the edge of the wood top, now tighten with the Allen Wrench (D) as shown Fig 2.

Figure 2

