





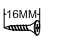


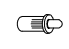



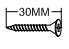
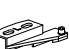

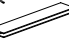




ASSEMBLY INSTRUCTION

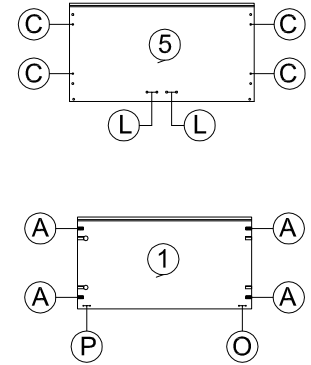
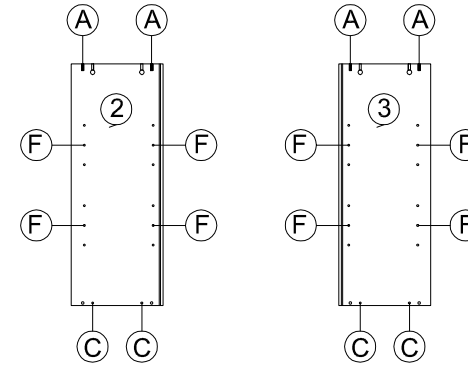
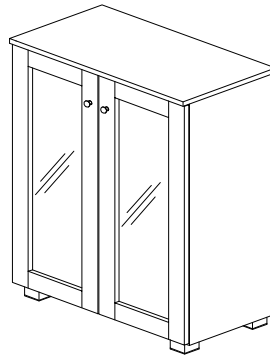
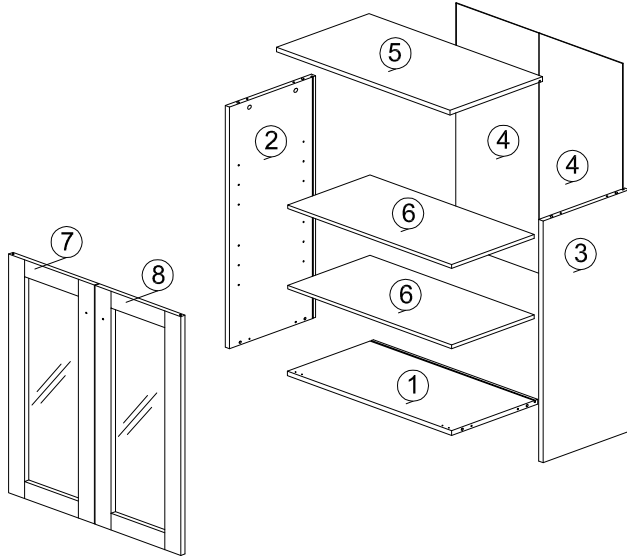
2 DOOR MULTIPURPOSE CABINET

A  WOOD DOWEL 8 X 25	B  MINIFIX -15MM (HOUSING)	C  MINIFIX - 15MM (EURO 24)	D  MINIFIX CAP	E  L KEY	F  METAL SHELF SUPPORT	G  CB SCREW M3,5X16MM	H  HANDLE 5022 (METAL)	I  HANDLE SCREW M4X19MM	J  DOOR SUPPORT SPRING	K  MAGNET PLATE (1 HOLE)	L  MAGNET 3.5 KG	M  CB SCREW M3X12MM	N  CB SCREW M4X30MM	O  L4	P  R4	Q  3MM PVH ~ 770MM	R  5038 PVC SQUARE LEG	S  MIRROR BRACKET
--	---	--	---	--	--	--	--	--	--	--	---	--	--	---	---	---	---	--

PART LIST

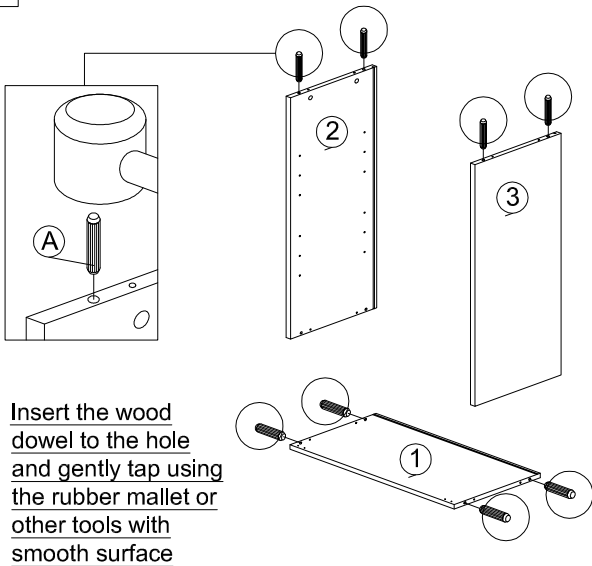
COMPLETED

HARDWARE MARKING

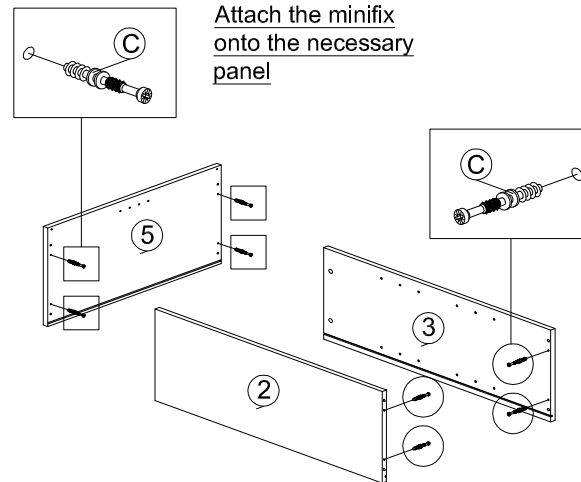


Use this marking point to install the hardware

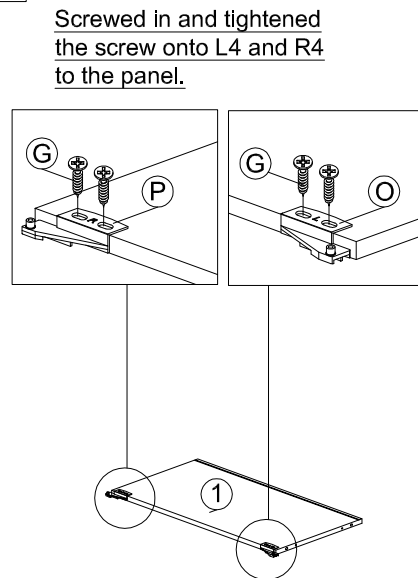
1



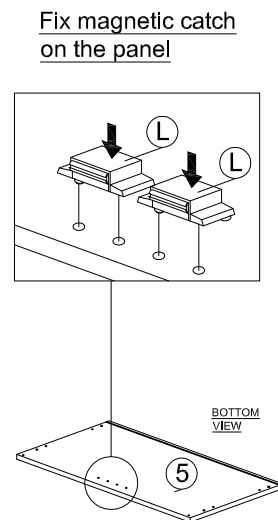
2



3



4

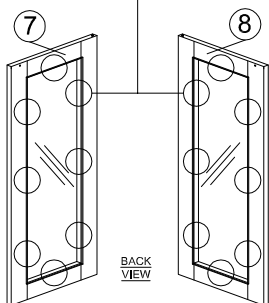
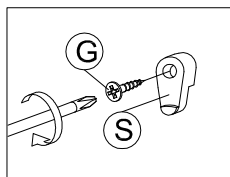


ASSEMBLY INSTRUCTION

2 DOOR MULTIPURPOSE CABINET

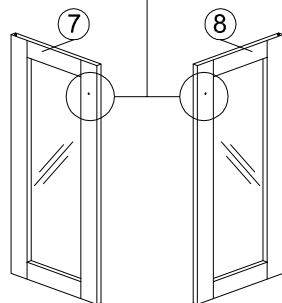
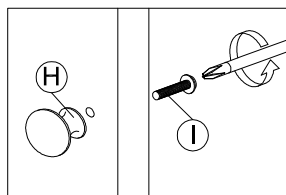
5

Fix mirror bracket to both door



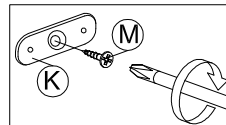
6

Fix handle knob to both door

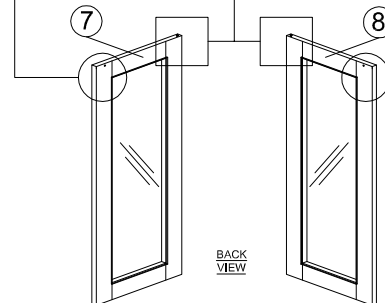
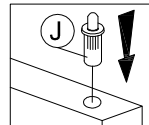


7

Fix magnetic plate to both door panel

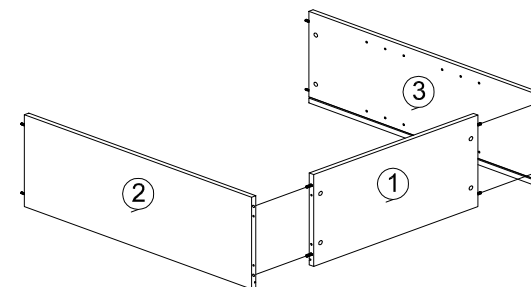


Insert door support spring into hole



8

Follow the number steps below to fix all joints.

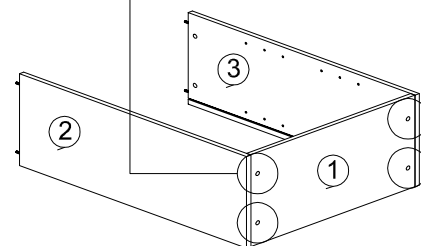
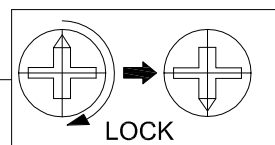
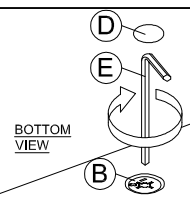
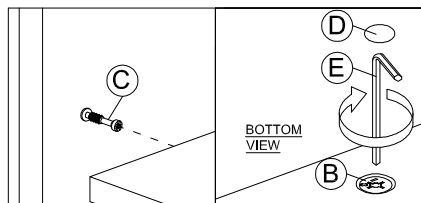


9

Step 1
Join the panel with minifix (euro) tightly.

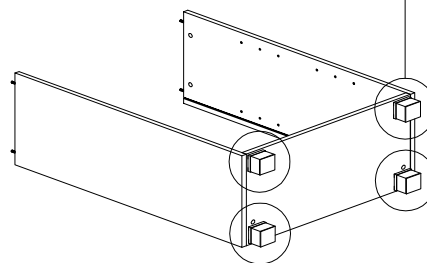
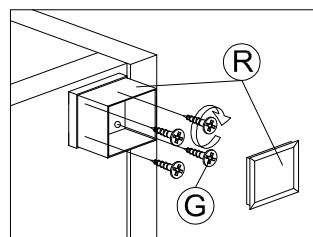
Step 2
Insert the minifix (housing) and lock it by using L key.

Step 3
Fully lock by turn the minifix (housing) clockwise. Then, press minifix cap to cover the hole.



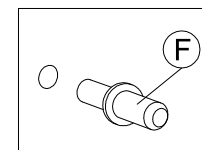
10

Fix and screwed PVC leg to the bottom panel

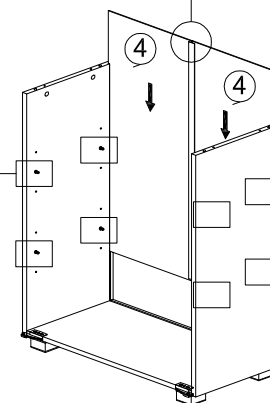
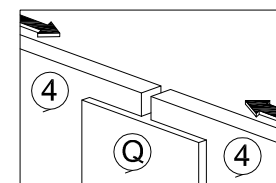


11

Fix the metal shelf support in the hole



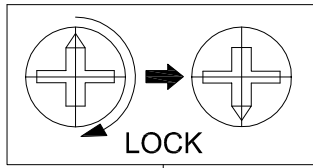
Insert the back panel in between PVH profile



ASSEMBLY INSTRUCTION

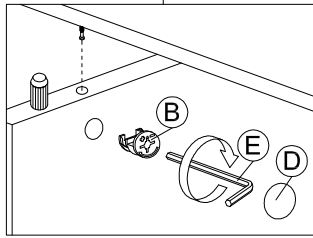
2 DOOR MULTIPURPOSE CABINET

12

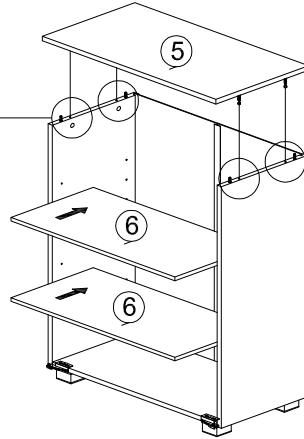


Step 3
Fully lock by turn the minifix (housing) clockwise. Then, press minifix cap to cover the hole.

Step 2
Insert the minifix (housing) and lock it by using L key.

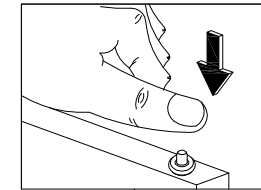
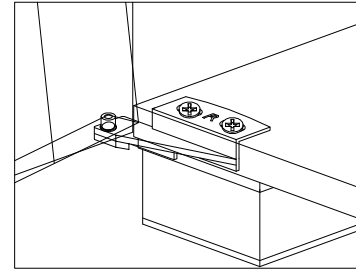


Step 1
Fix in the adjustable shelf.

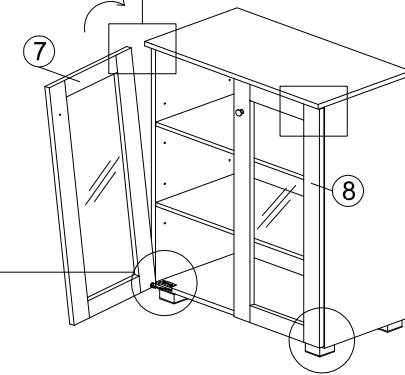


13

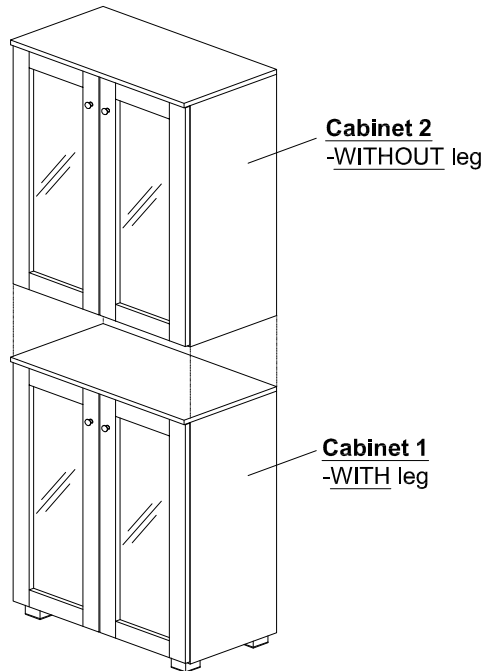
Step 1
Insert lower door hole into L4 and R4



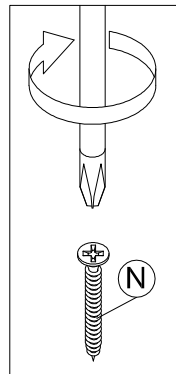
Step 2
Press down door support spring and release after reach a hole in a bottom of the top



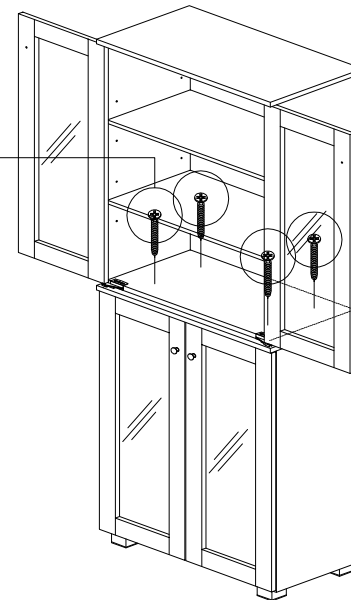
14



15



Screw from bottom Cabinet 2 (WITHOUT leg) to combined both of cabinet



16

2 IN 1
CABINET
ASSEMBLY
COMPLETED

