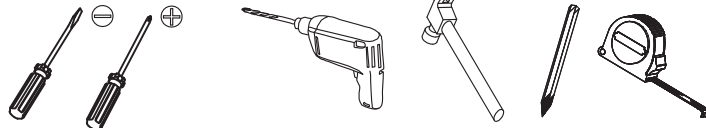


2PERS



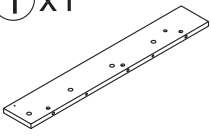
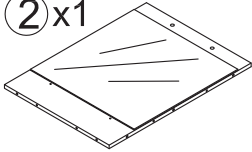
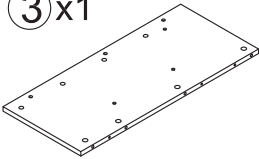
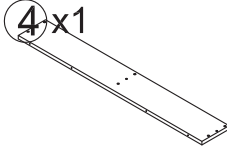
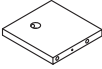
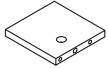
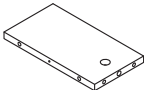
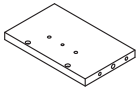
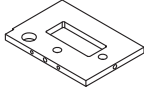
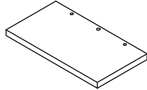
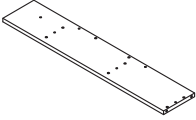
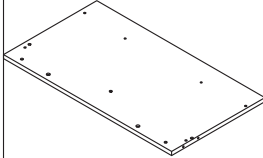
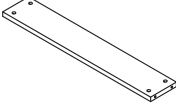
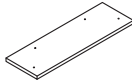
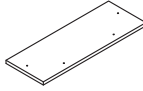
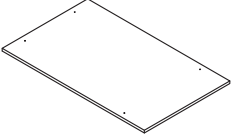
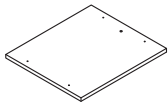
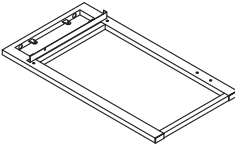
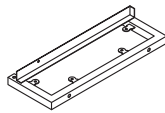
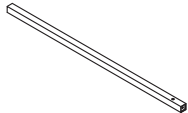
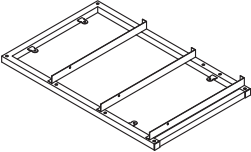
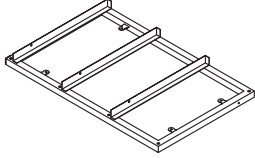
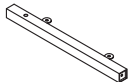
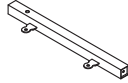
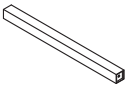
80 MIN

Tool Required Not Provided

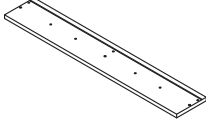
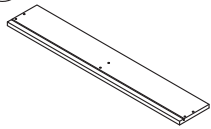
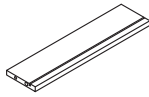
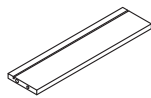
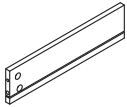
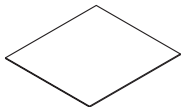
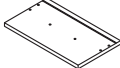
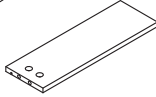
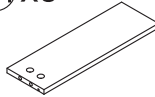
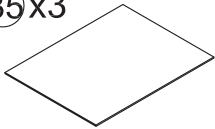
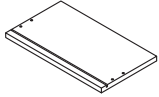
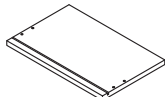


If parts are missing, contact us to obtain any missing parts.

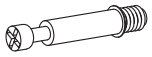
Cabinet Body

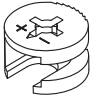
①x1 	②x1 	③x1 	④x1 	⑤x2 
⑥x1 	⑦x2 	⑧x1 	⑨x1 	⑩x1 
⑪x1 	⑫x1 	⑬x1 	⑭x1 	⑮x1 
⑯x2 	⑰x1 	⑱x1 	⑲x1 	⑳x2 
㉑x1 	㉒x1 	㉓x1 	㉔x1 	㉕x4 


Drawer


⑳x1 	㉗x1 	㉘x1 	㉙x1 	㉚x1 
㉛x2 	㉜x3 	㉝x3 	㉞x3 	㉟x3 
㊱x1 	㊲x2 			


# Hardware

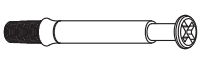
<b>A</b>	x30 +2(spare)
	
Ø6x35mm	


<b>B</b>	x36 +2(spare)
	
Ø15x10mm	

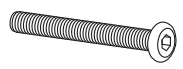
<b>C</b>	x35 +3(spare)
	
Ø6x30mm	

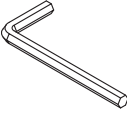
<b>D</b>	x34 +2(spare)
	
Ø4x40mm	


<b>E</b>	x20 +2(spare)
	

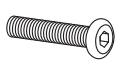
<b>F</b>	x6
	

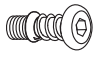
<b>G</b>	x12
	

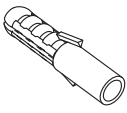
<b>H</b>	x4
	
Ø6x45mm	

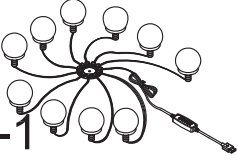


<b>I</b>	x1
	
M4mm	

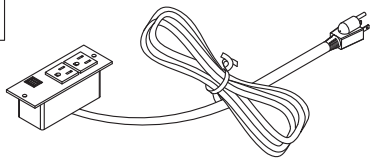
<b>J</b>	x18
	
Ø6x40mm	


<b>K</b>	x2
	
Ø6x30mm	

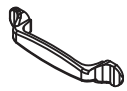
<b>L</b>	x4
	
Ø6x25mm	

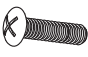
<b>M</b>	x2
	

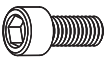
<b>N</b>	x1
  	


<b>O</b>	x1
	


<b>P</b>	x2 +1(spare)
	

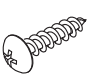
<b>Q</b>	x5
	

<b>R</b>	x10 +1(spare)
	

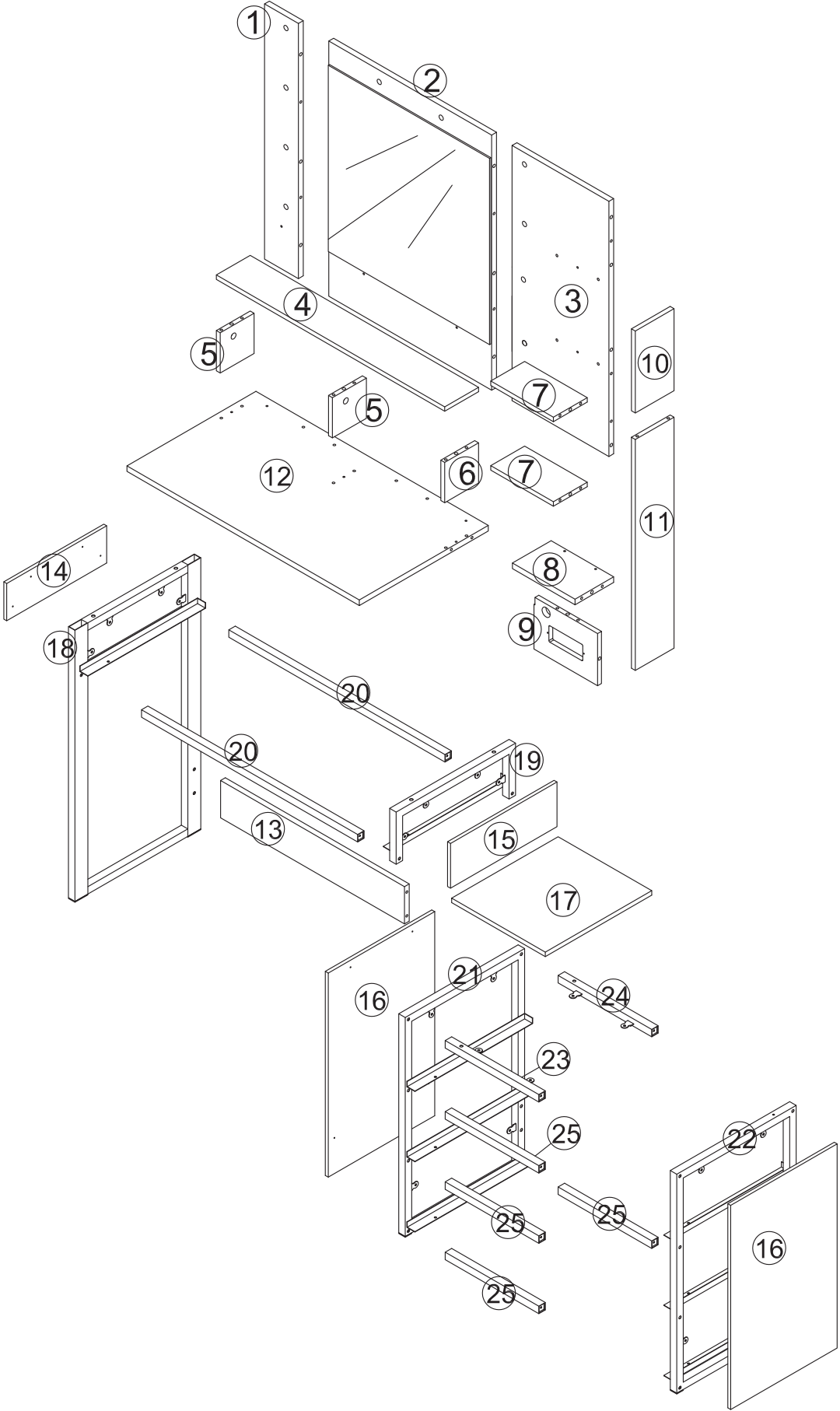
<b>S</b>	x3
	

<b>T</b>	x4
	

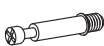







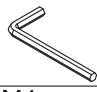




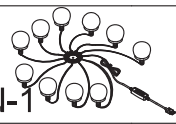


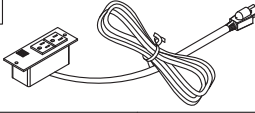

<b>U</b>	x2
	

<b>V</b>	x2
	
Ø4x14mm	

# Cabinet Body

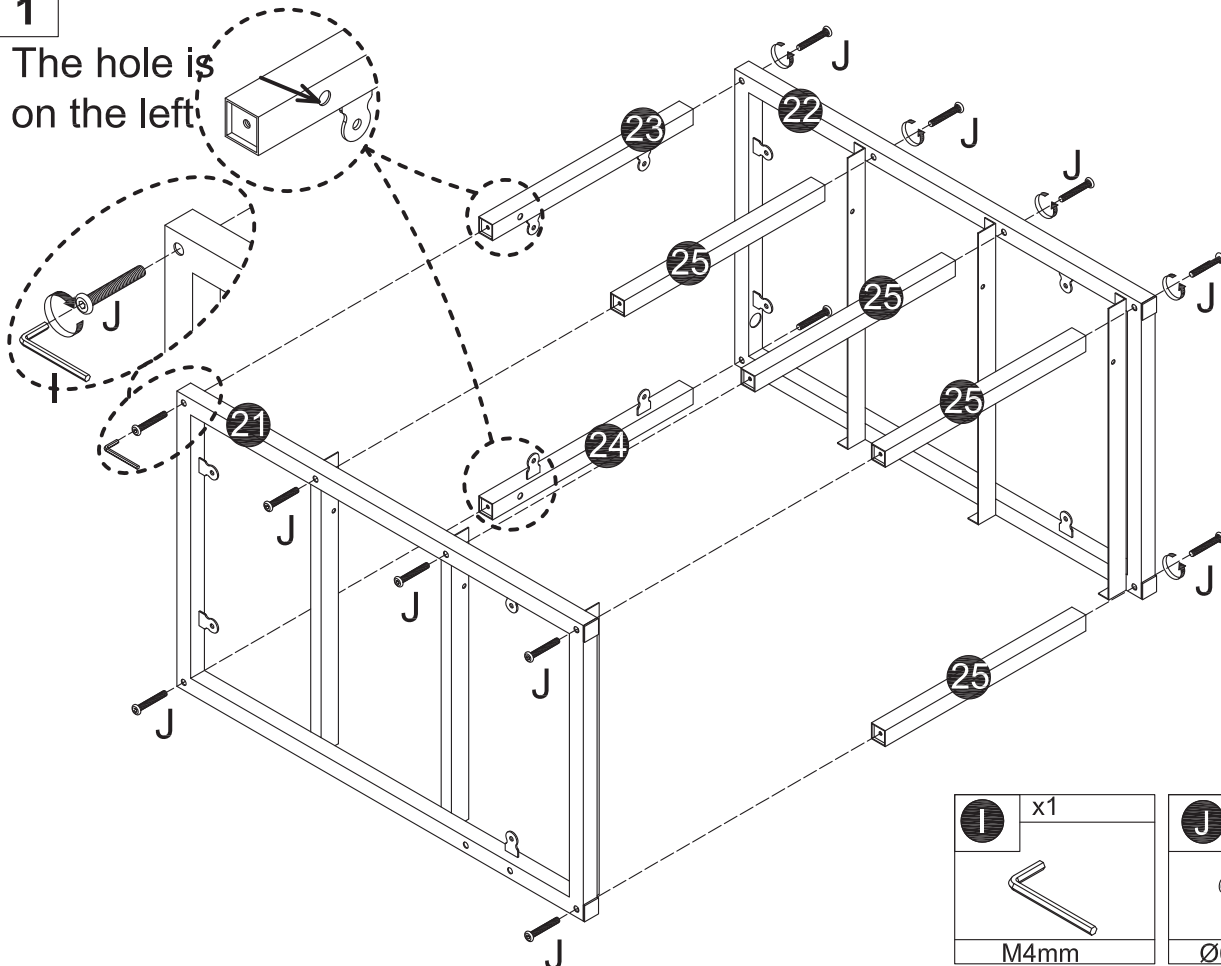


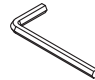

# Hardware

<b>A</b> x9  Ø6x35mm	<b>B</b> x18  Ø15x10mm	<b>C</b> x35  Ø6x30mm	<b>D</b> x11  Ø4x40mm	<b>E</b> x20  Ø6x30mm	<b>F</b> x6  Ø6x25mm
<b>G</b> x12 	<b>H</b> x4  Ø6x50mm	<b>I</b> x1  M4mm	<b>J</b> x18  Ø6x40mm	<b>K</b> x2  Ø6x30mm	<b>L</b> x4  Ø6x25mm
<b>M</b> x3 	<b>N</b> x1 N-1  N-2  N-3 			<b>O</b> x1 	
<b>P</b> x2 					

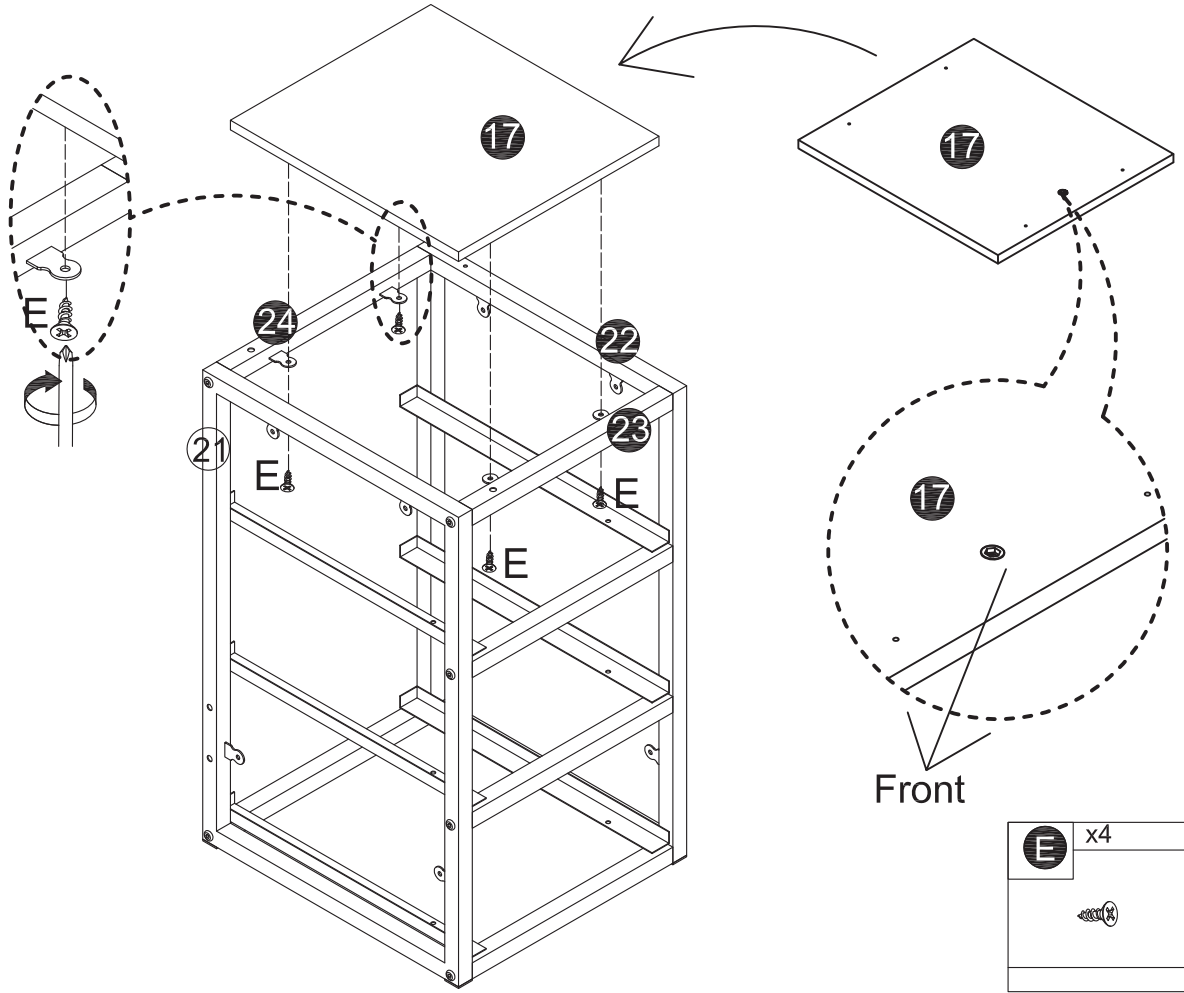
1

The hole is on the left



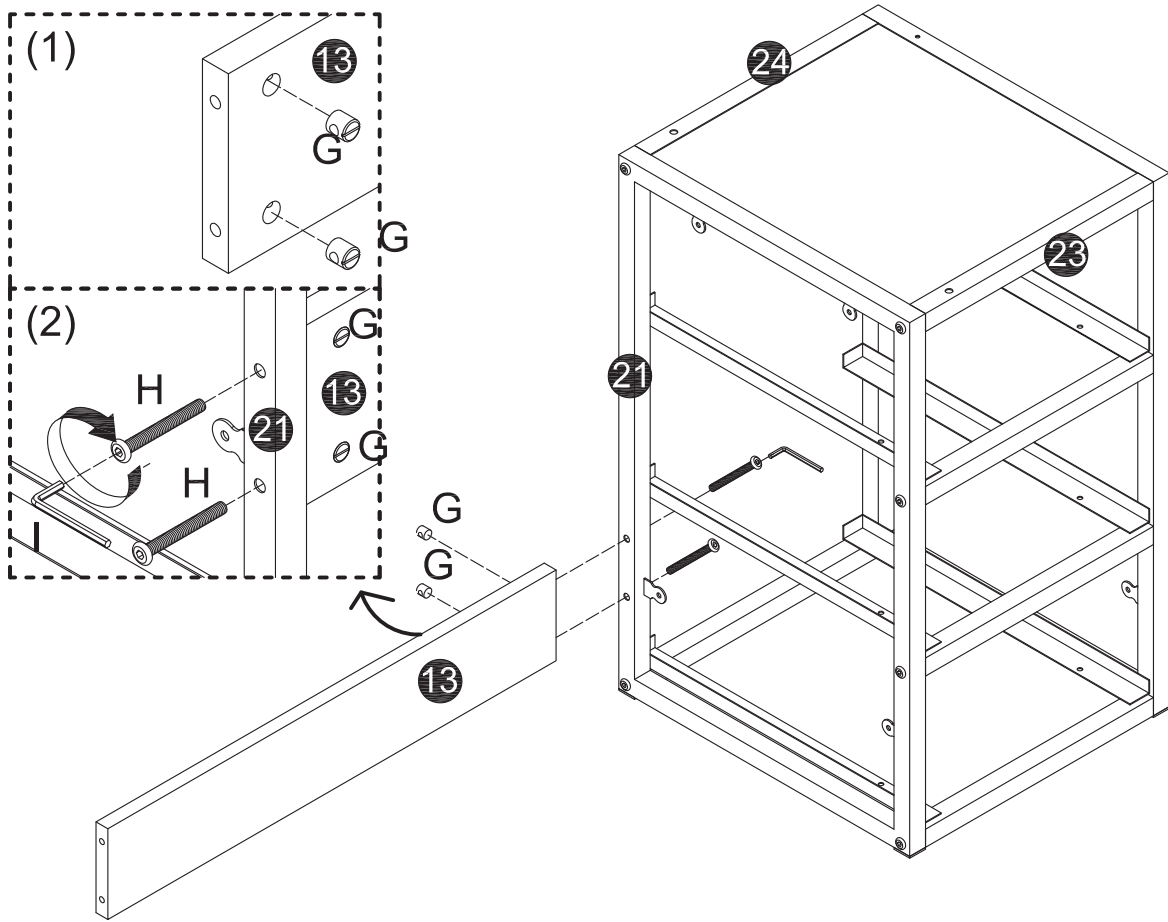
<b>I</b> x1  M4mm	<b>J</b> x12  Ø6x40mm
--	--

2



<b>E</b>	x4

3

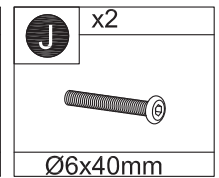
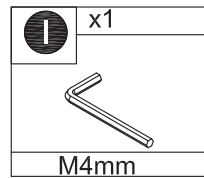
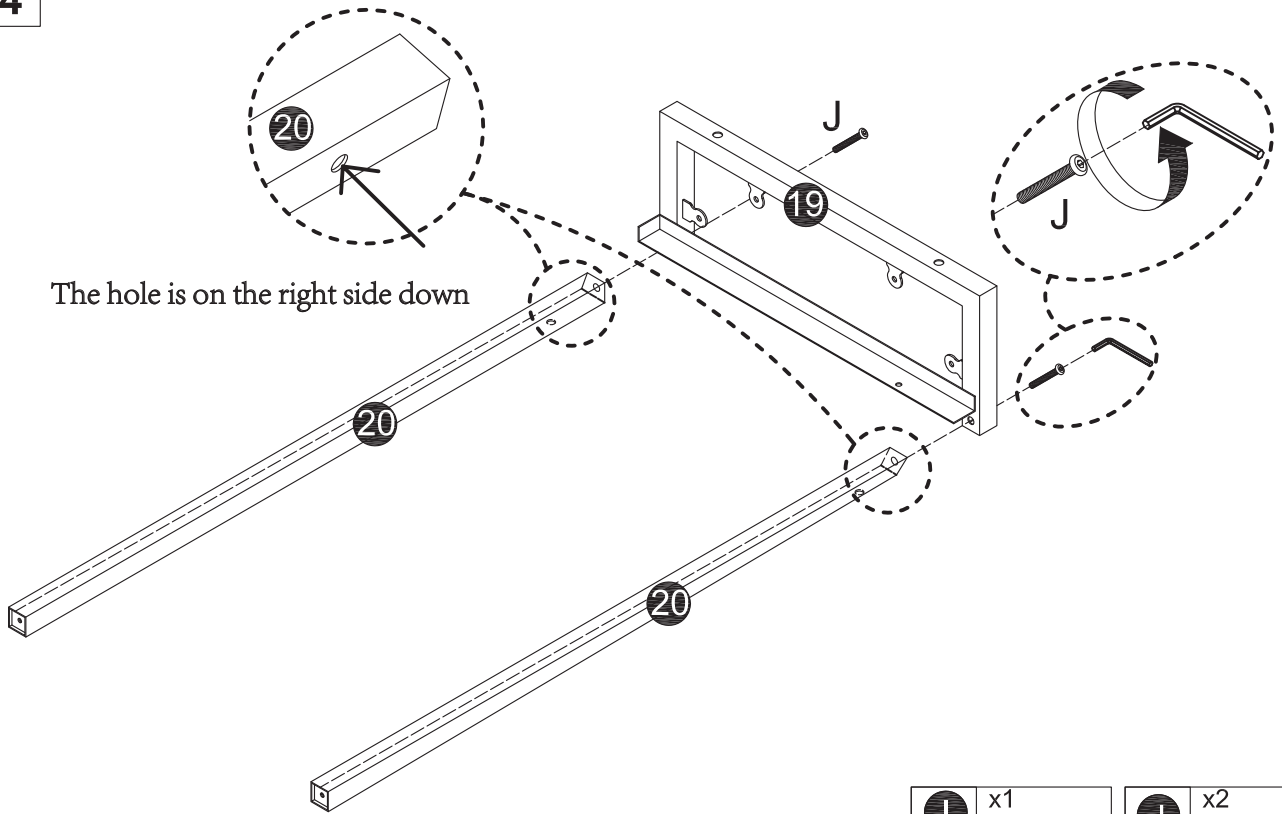


<b>G</b>	x2

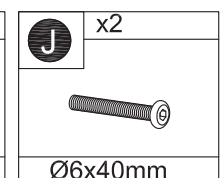
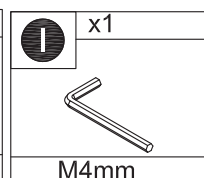
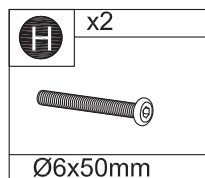
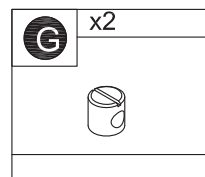
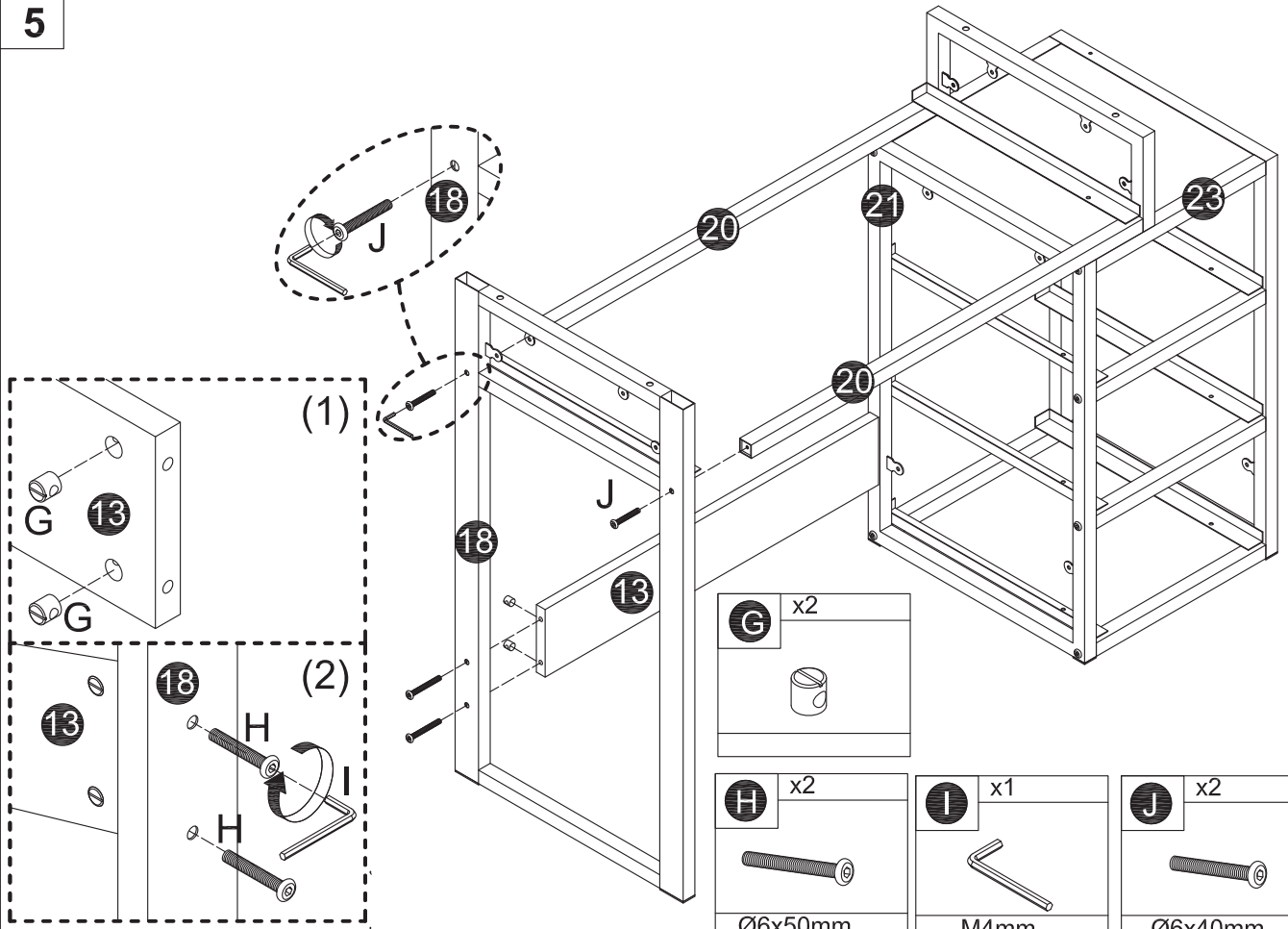
<b>H</b>	x2
Ø6x50mm	

<b>L</b>	x1
M4mm	

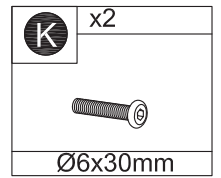
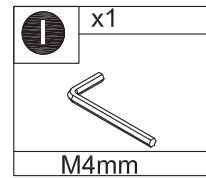
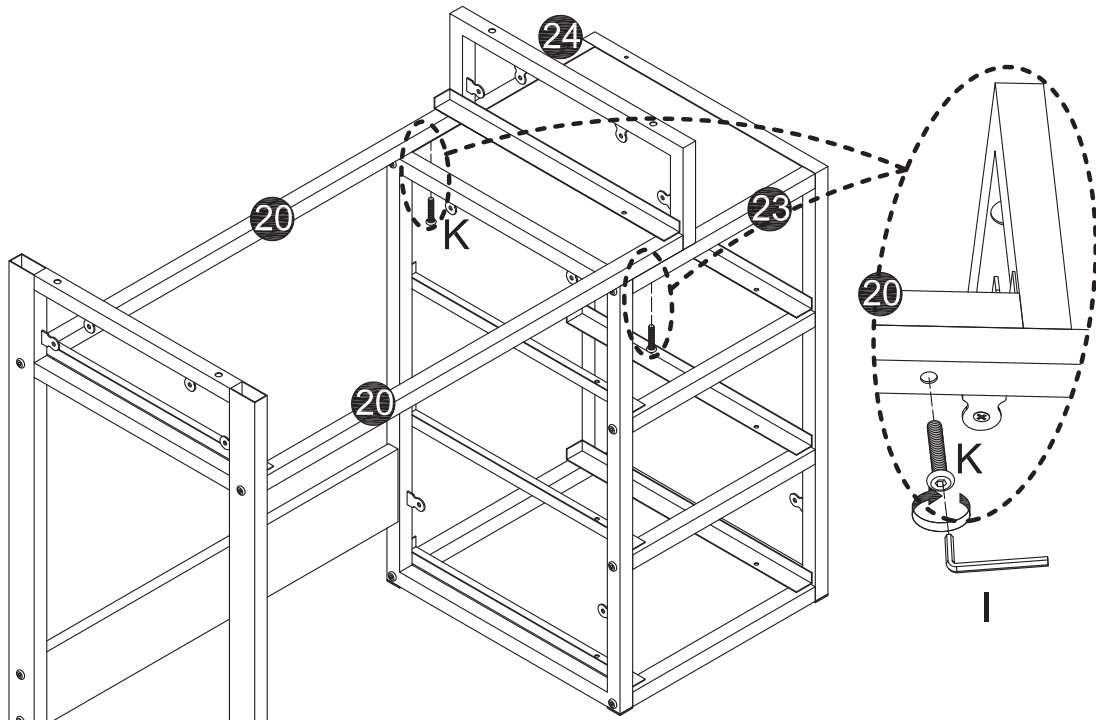
4



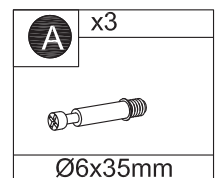
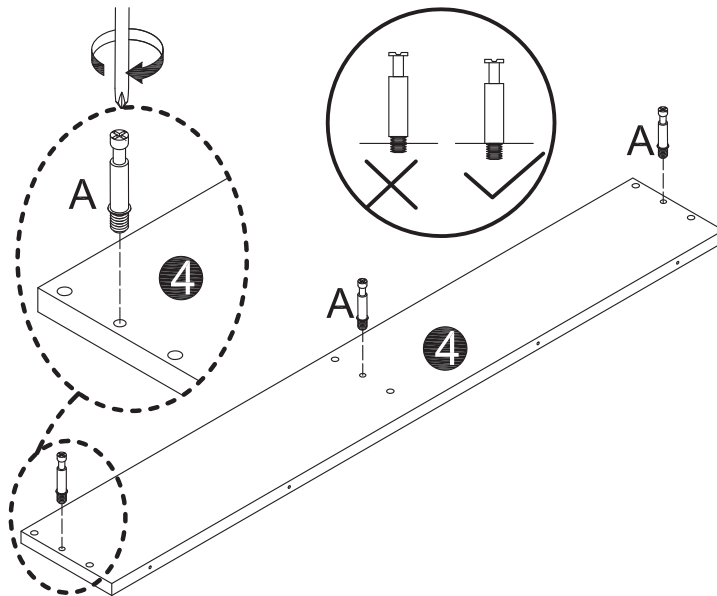
5



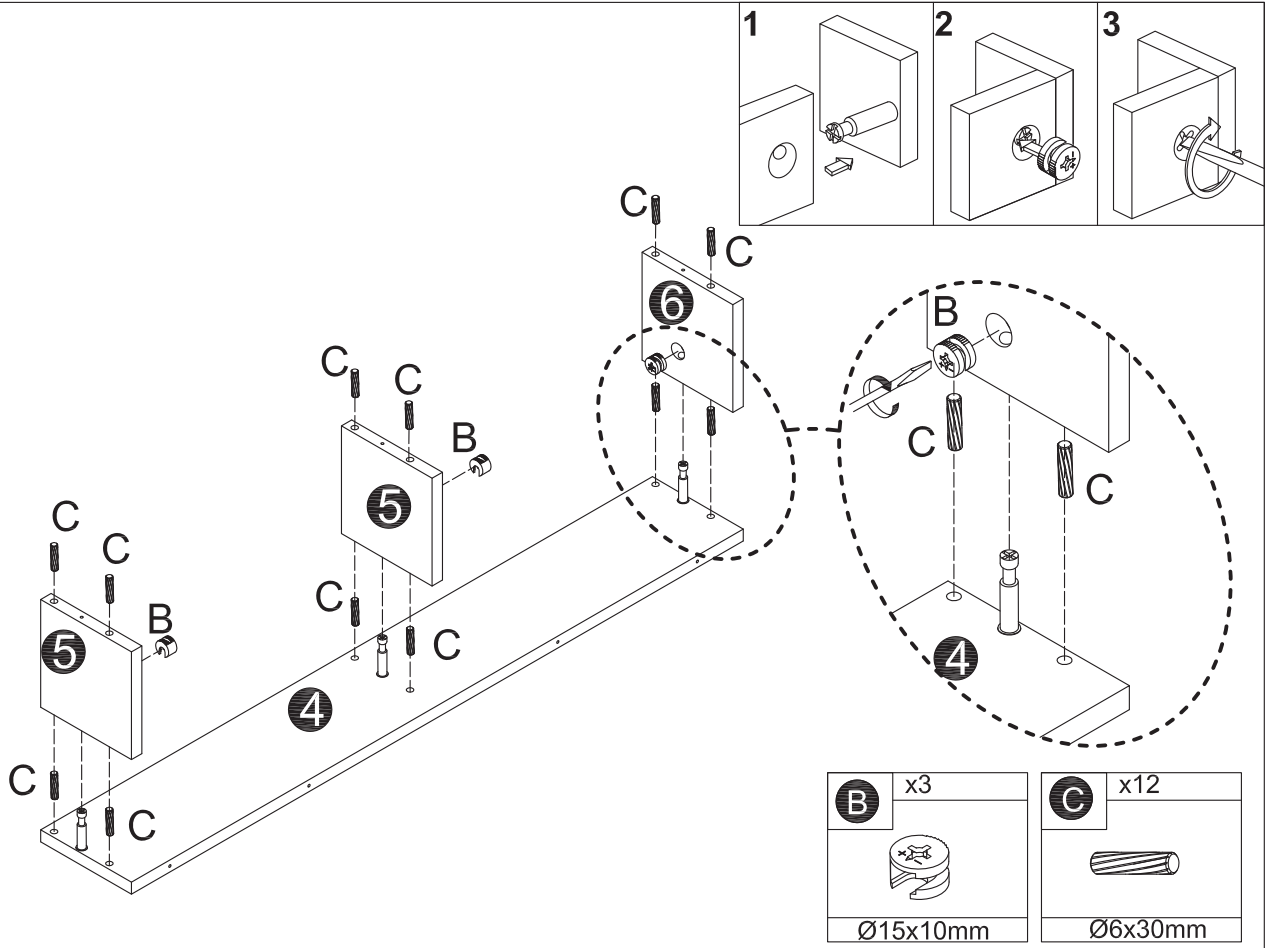
6



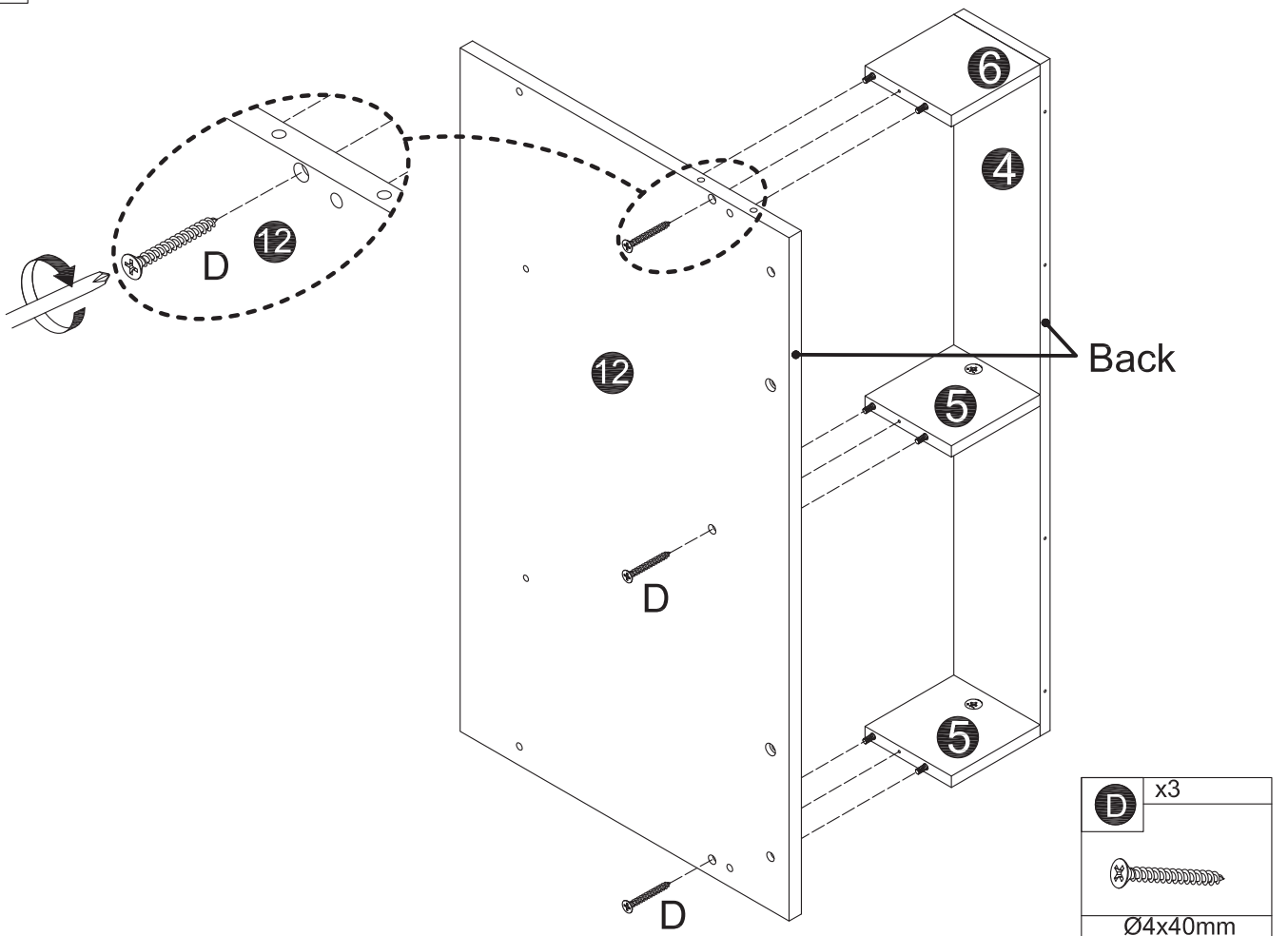
7



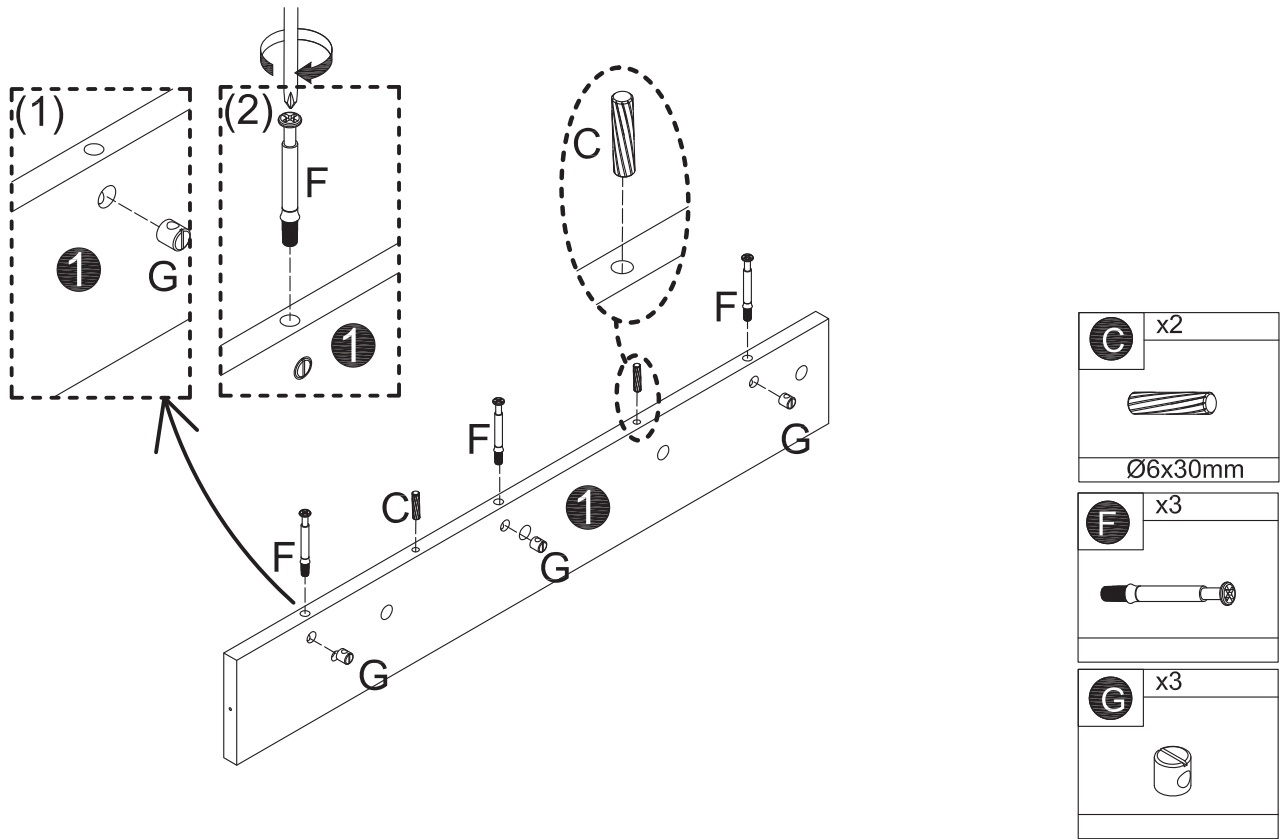
8



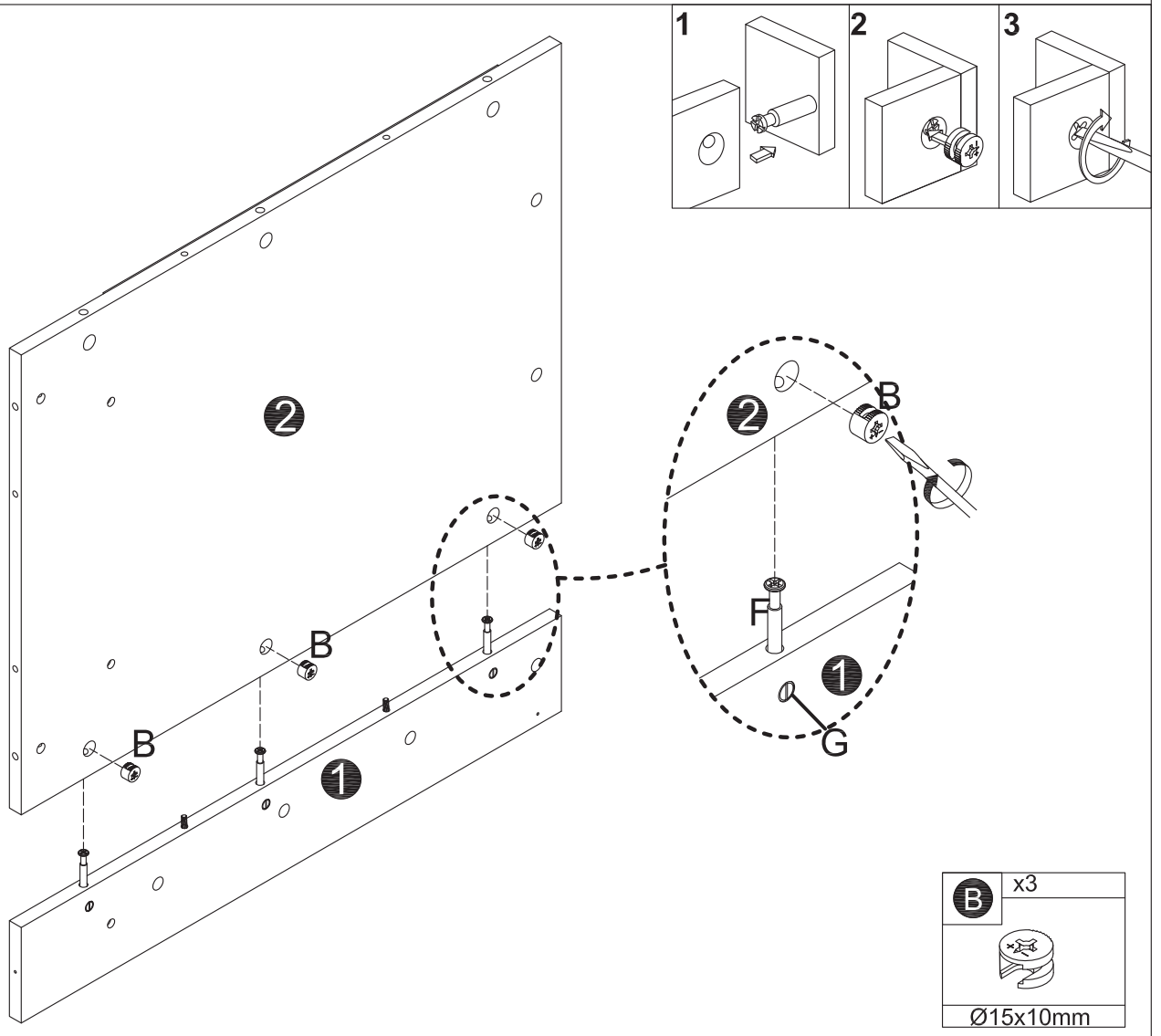
9

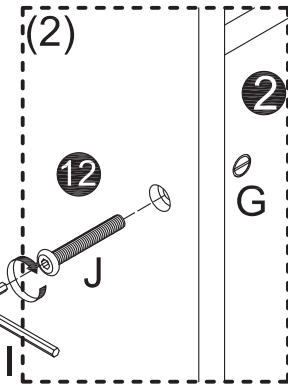
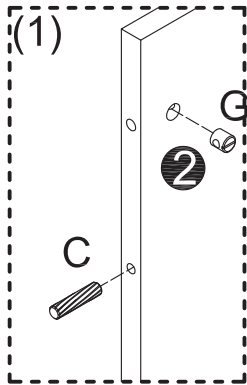
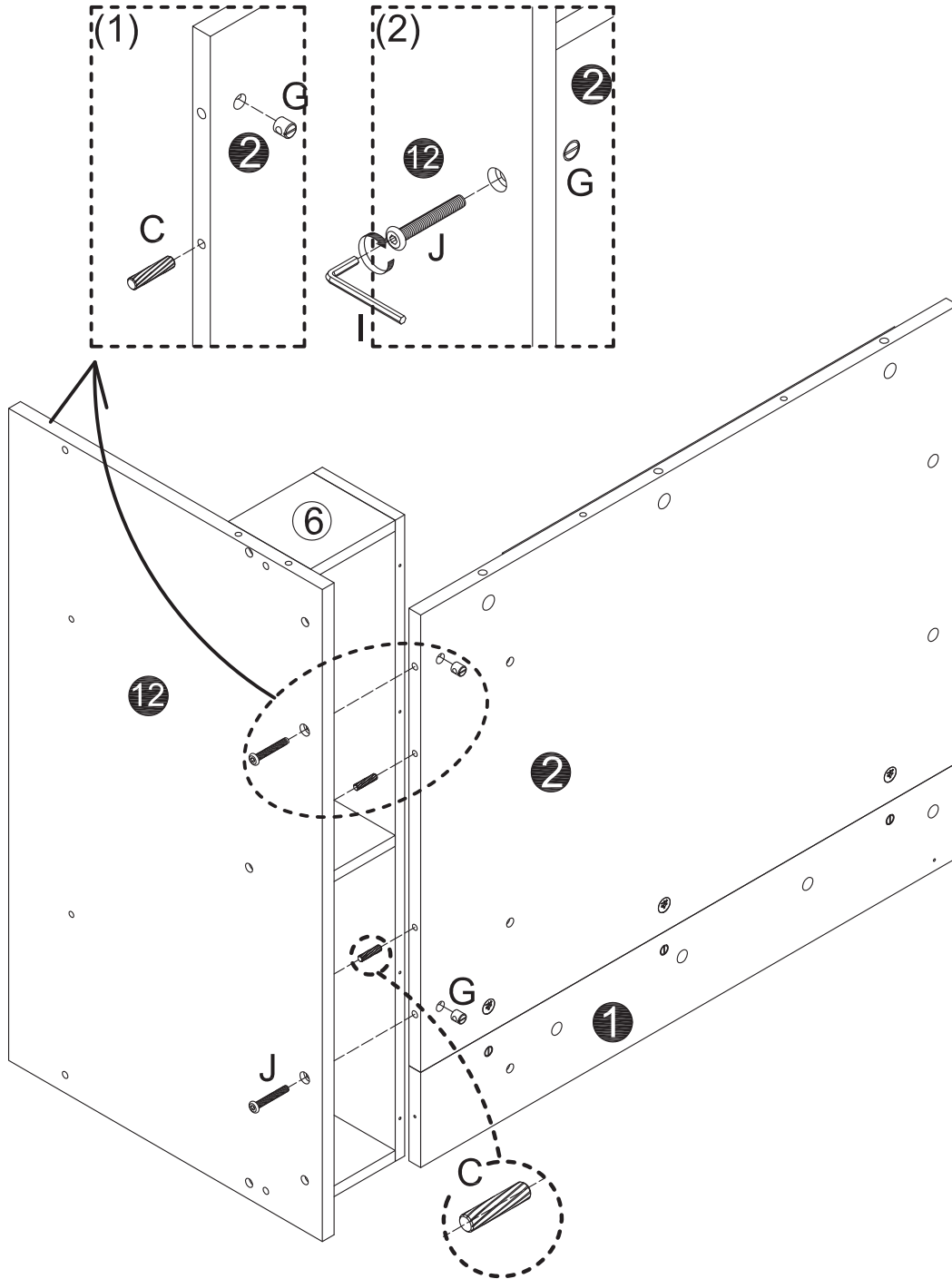


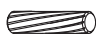
10




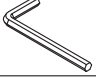
11




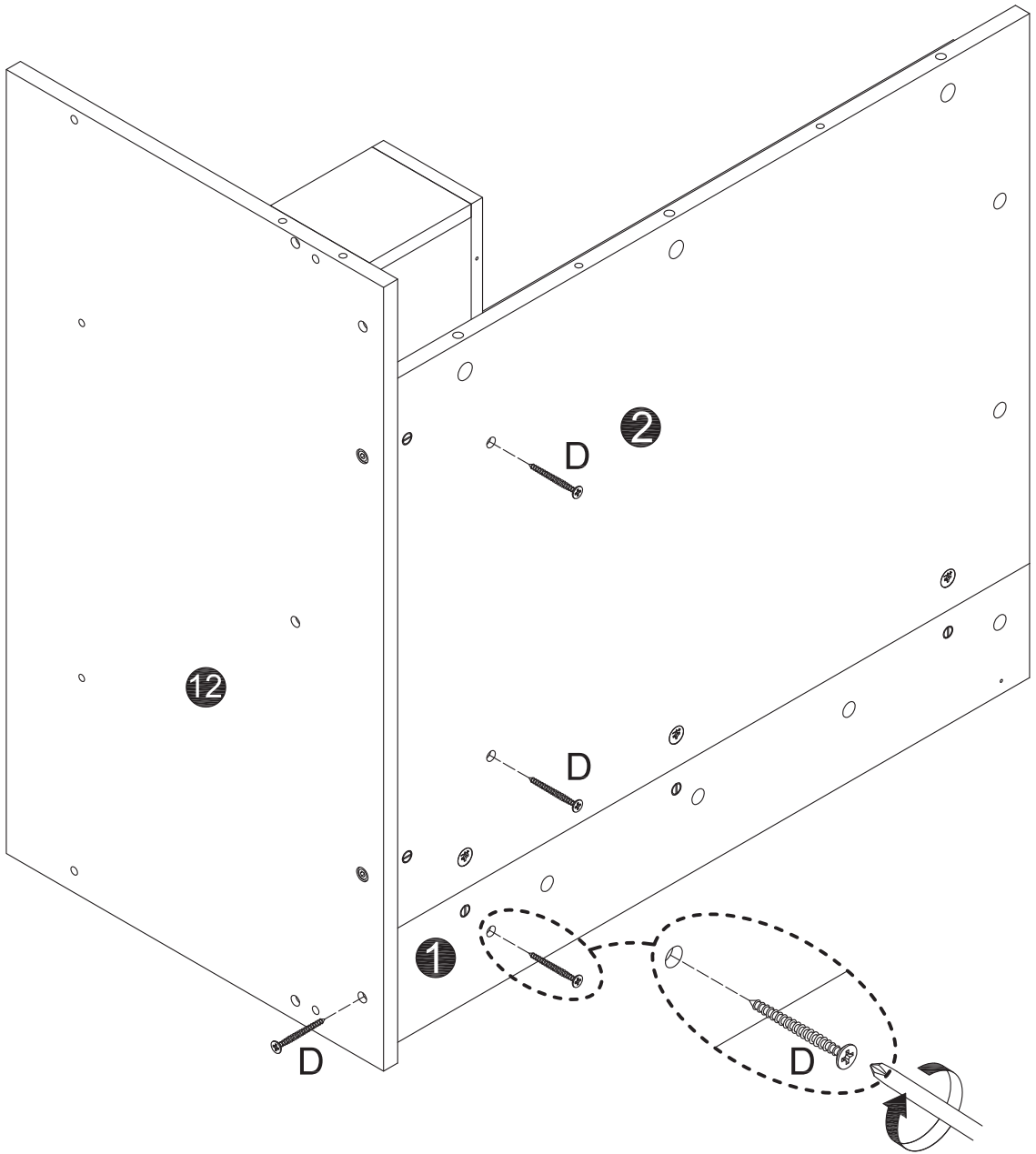



<b>C</b>	x2
	
Ø6x30mm	

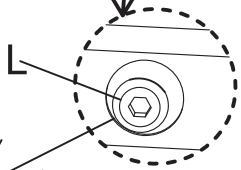
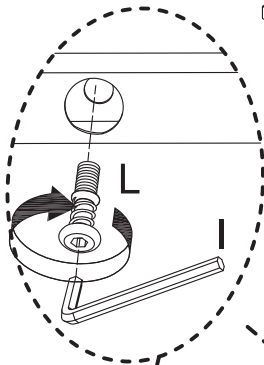
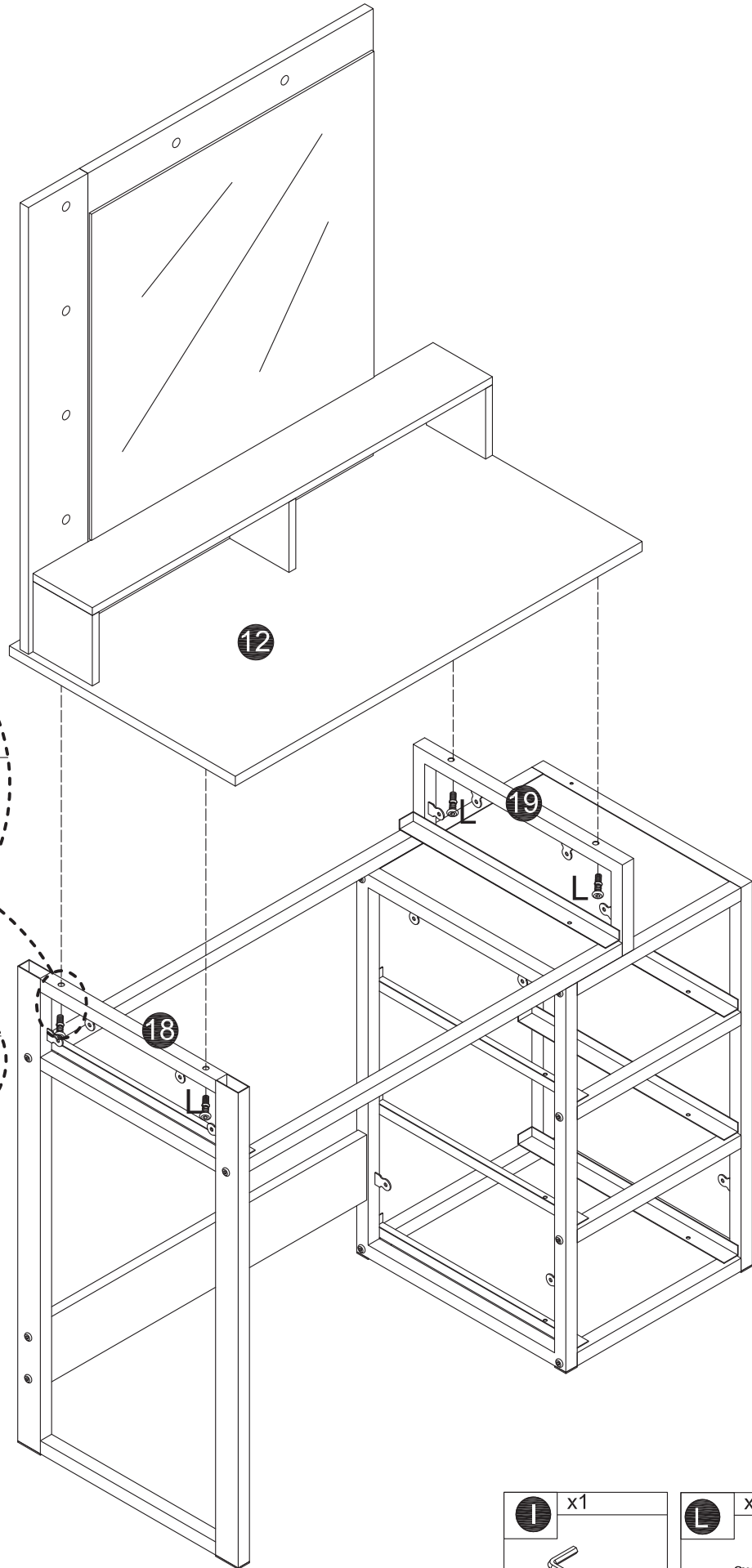
<b>G</b>	x2
	

<b>I</b>	x1
	
M4mm	

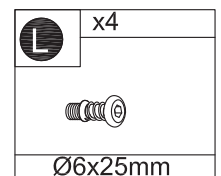
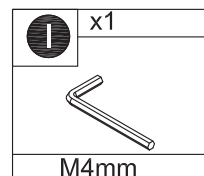
<b>J</b>	x2
	
Ø6x40mm	

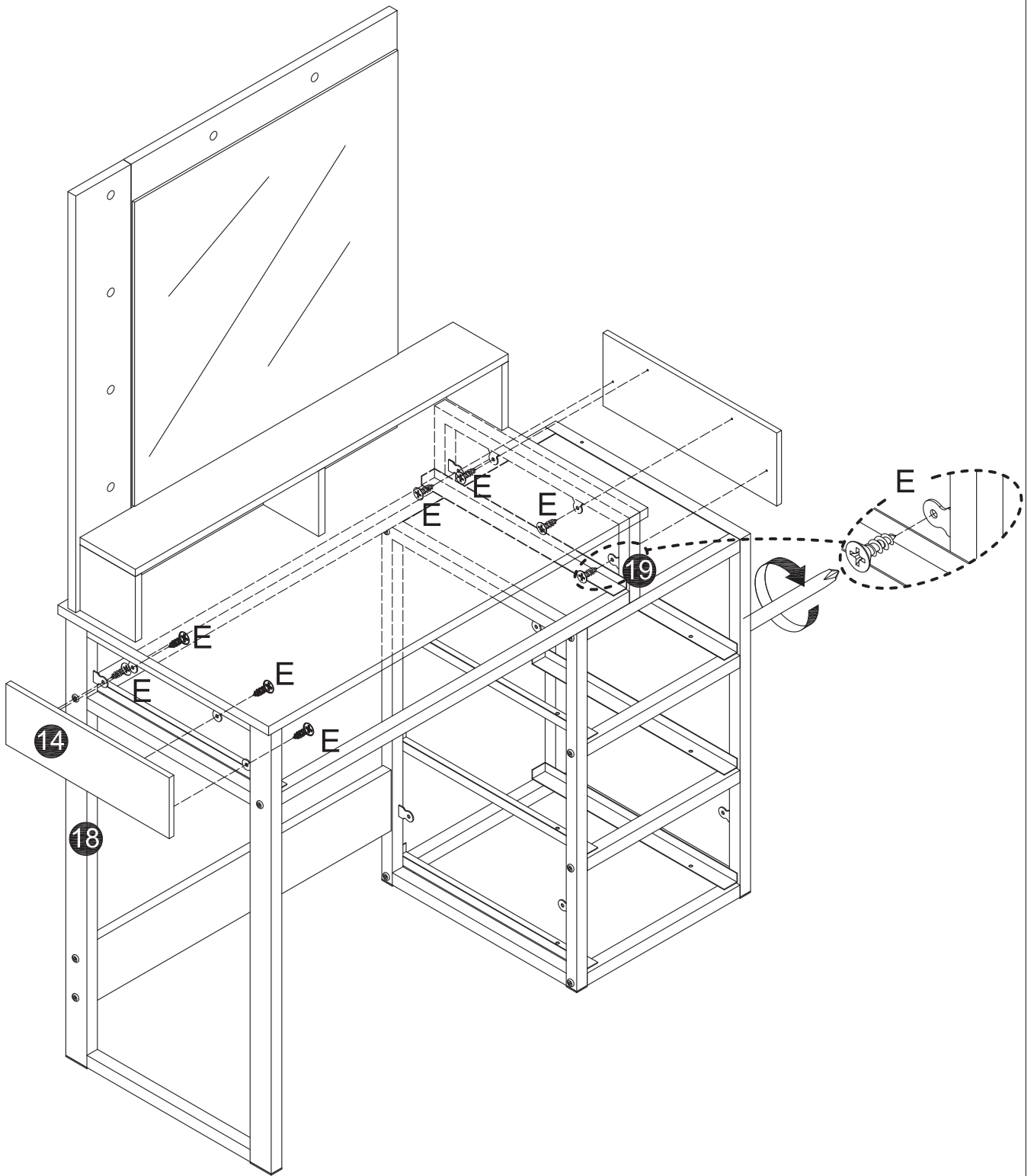



<b>D</b>	x4
	
Ø4x40mm	



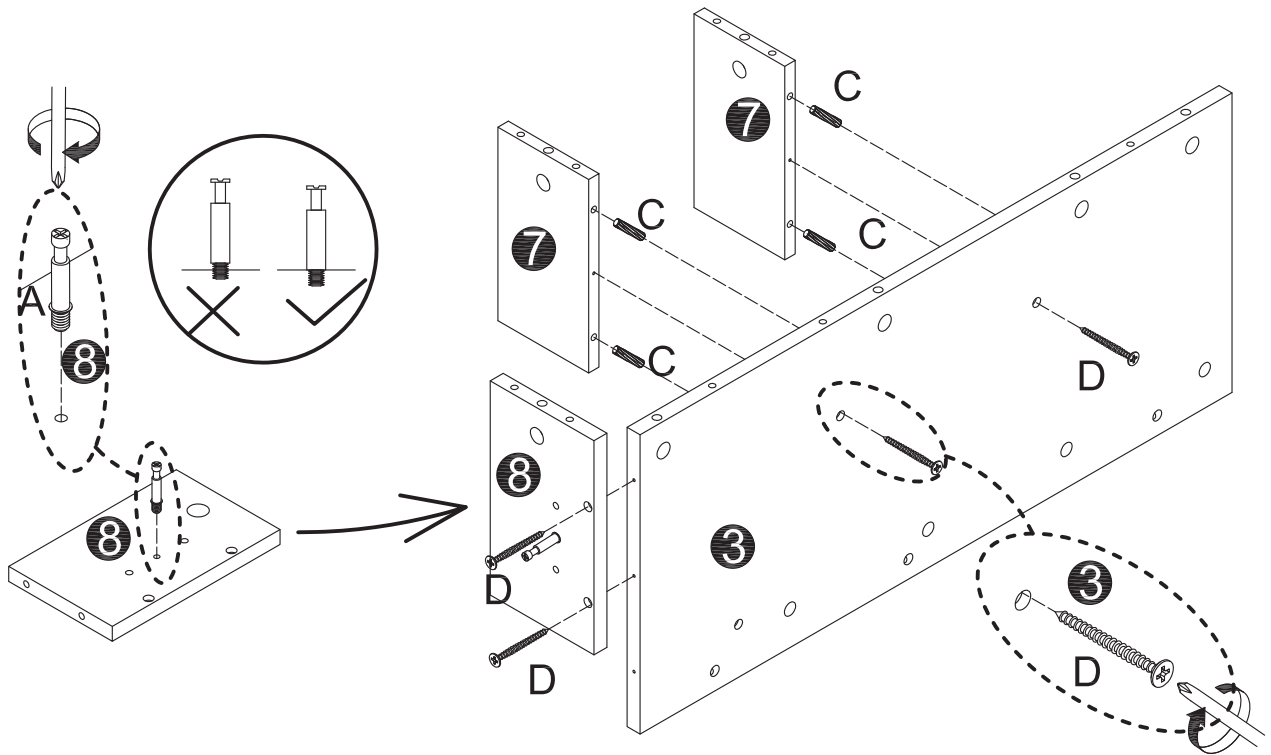
Please note that to lock screw L with large hole bottom flat.

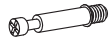






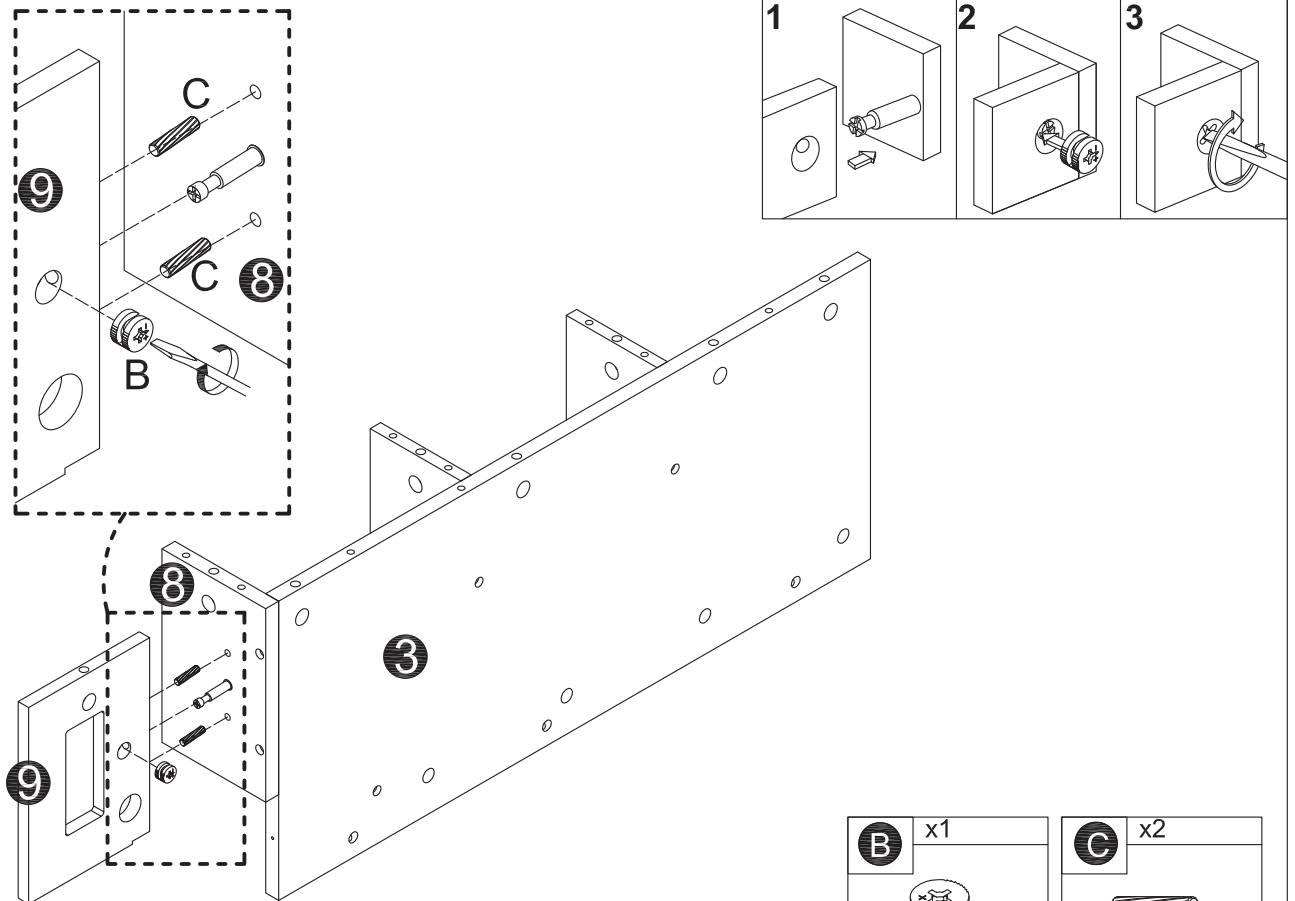
<b>E</b>	x8
	



16



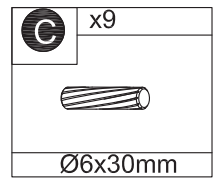
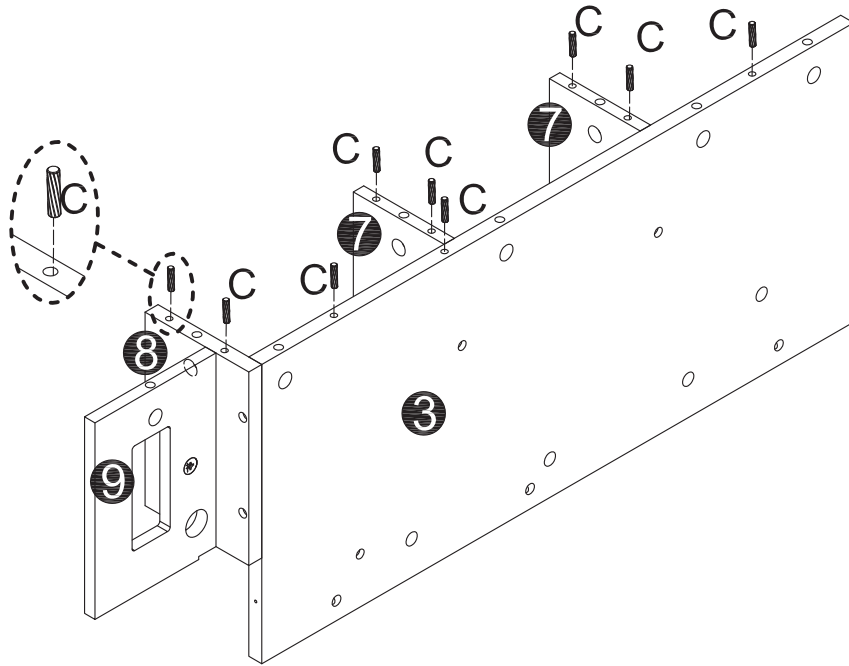
<b>A</b> x1	<b>C</b> x4	<b>D</b> x4
		
Ø6x35mm	Ø6x30mm	Ø4x40mm

17

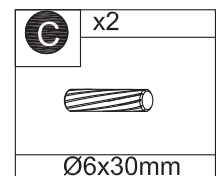
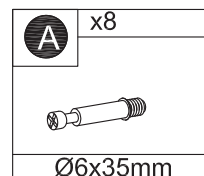
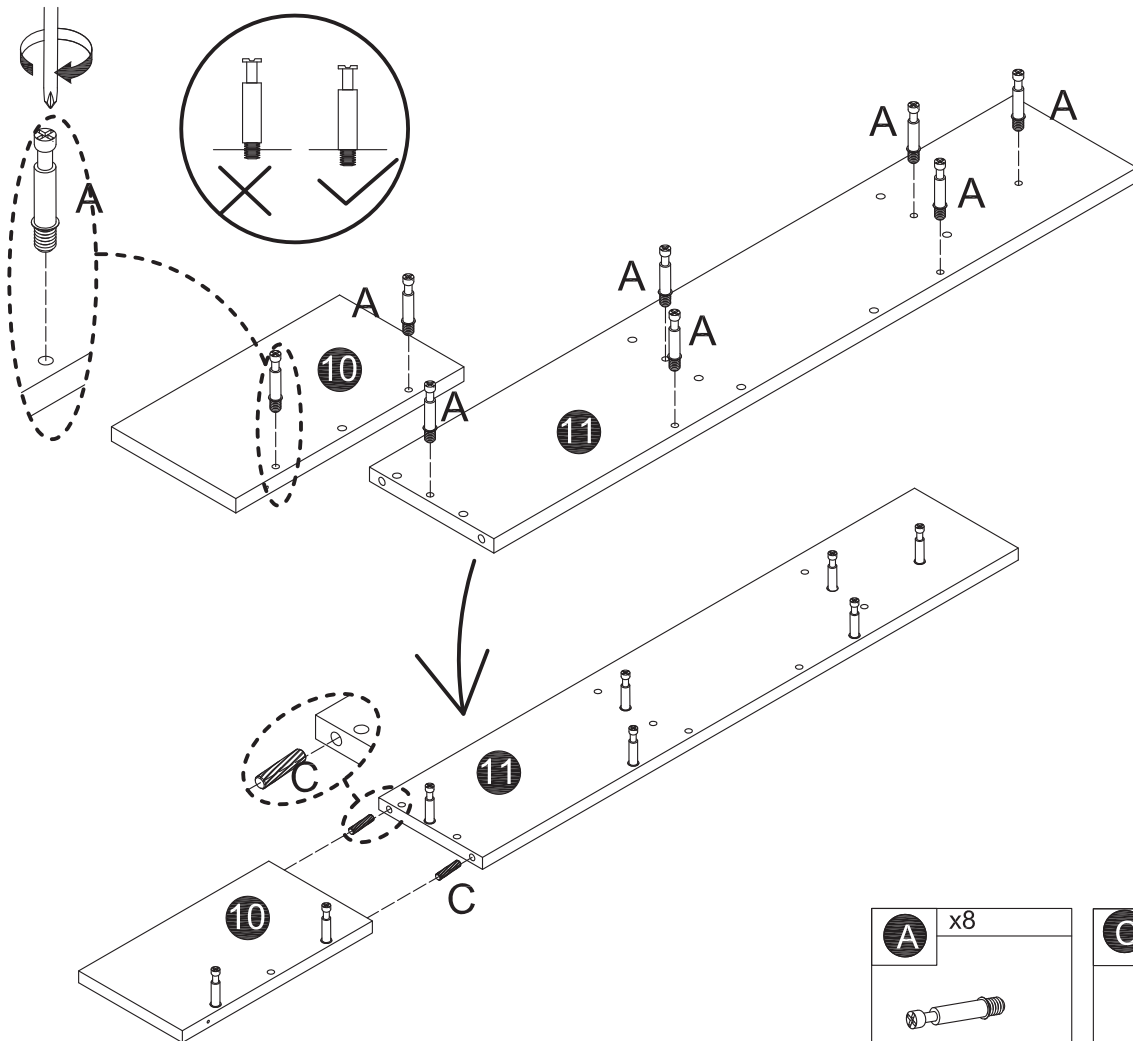


<b>B</b> x1	<b>C</b> x2
	
Ø15x10mm	Ø6x30mm

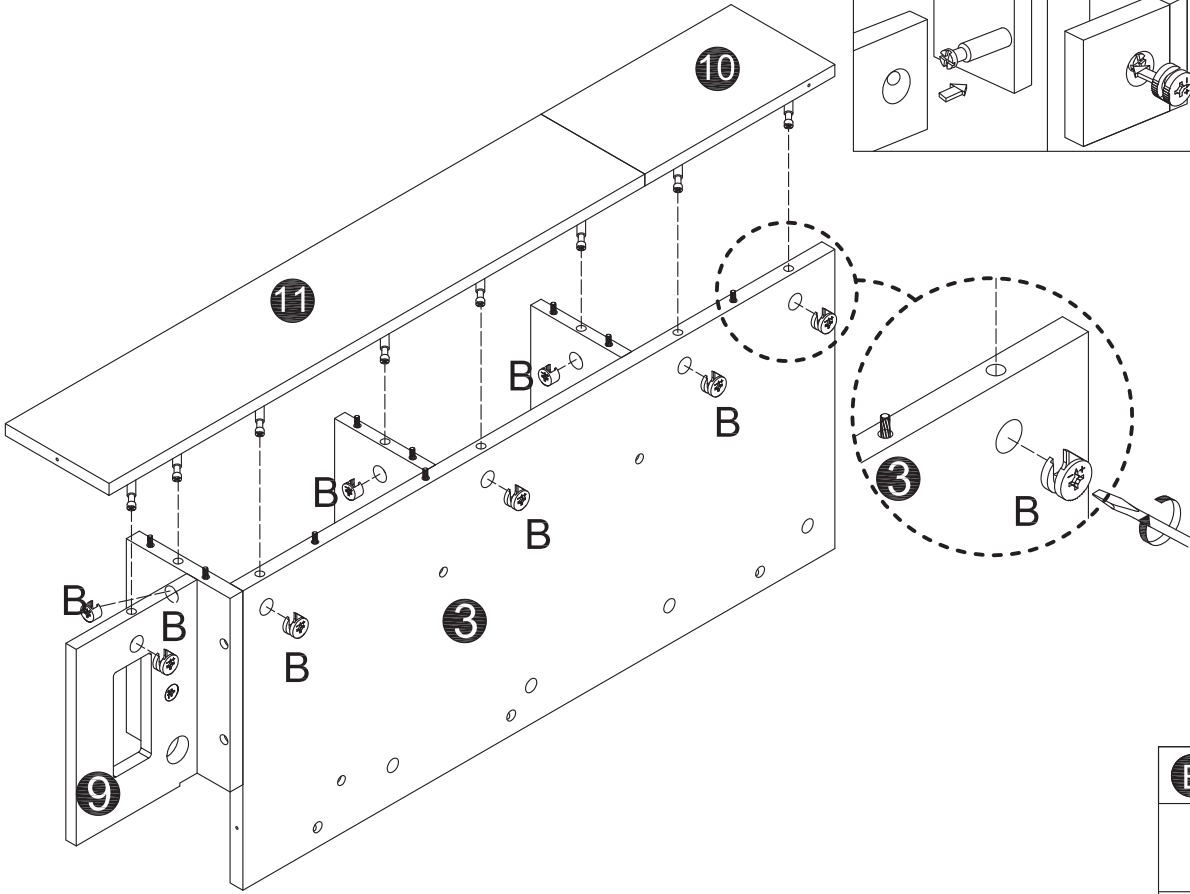
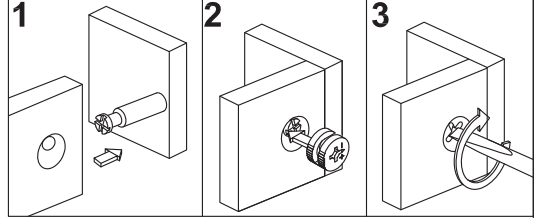
18



19

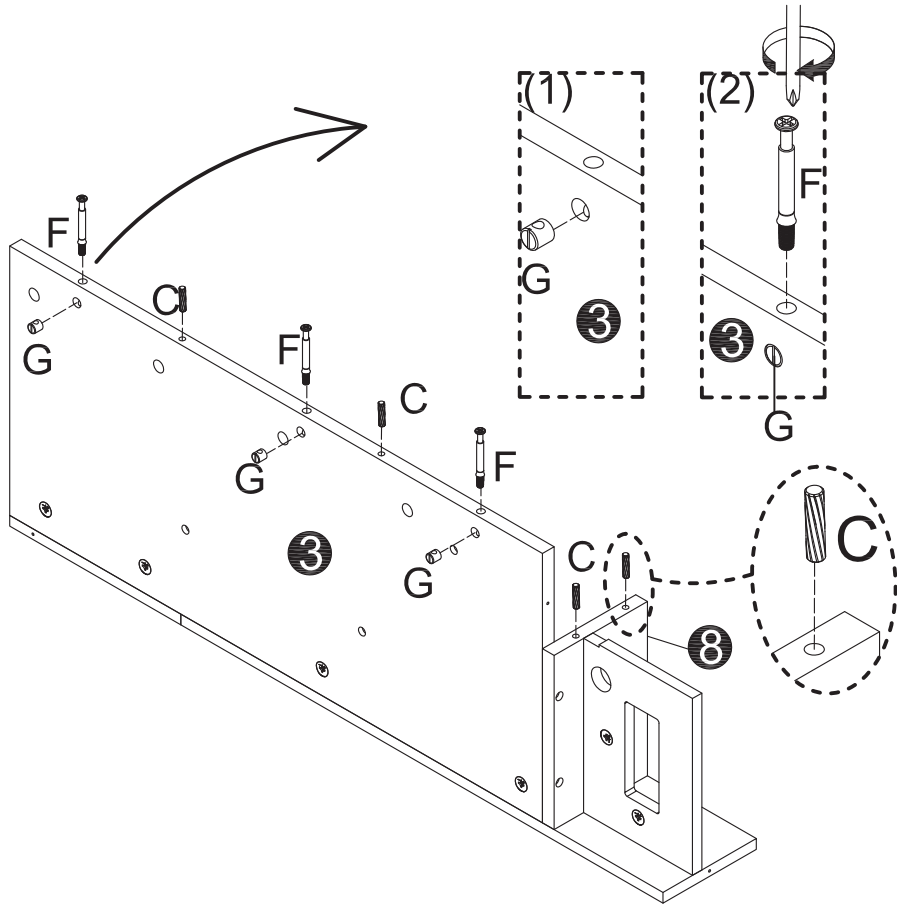


20

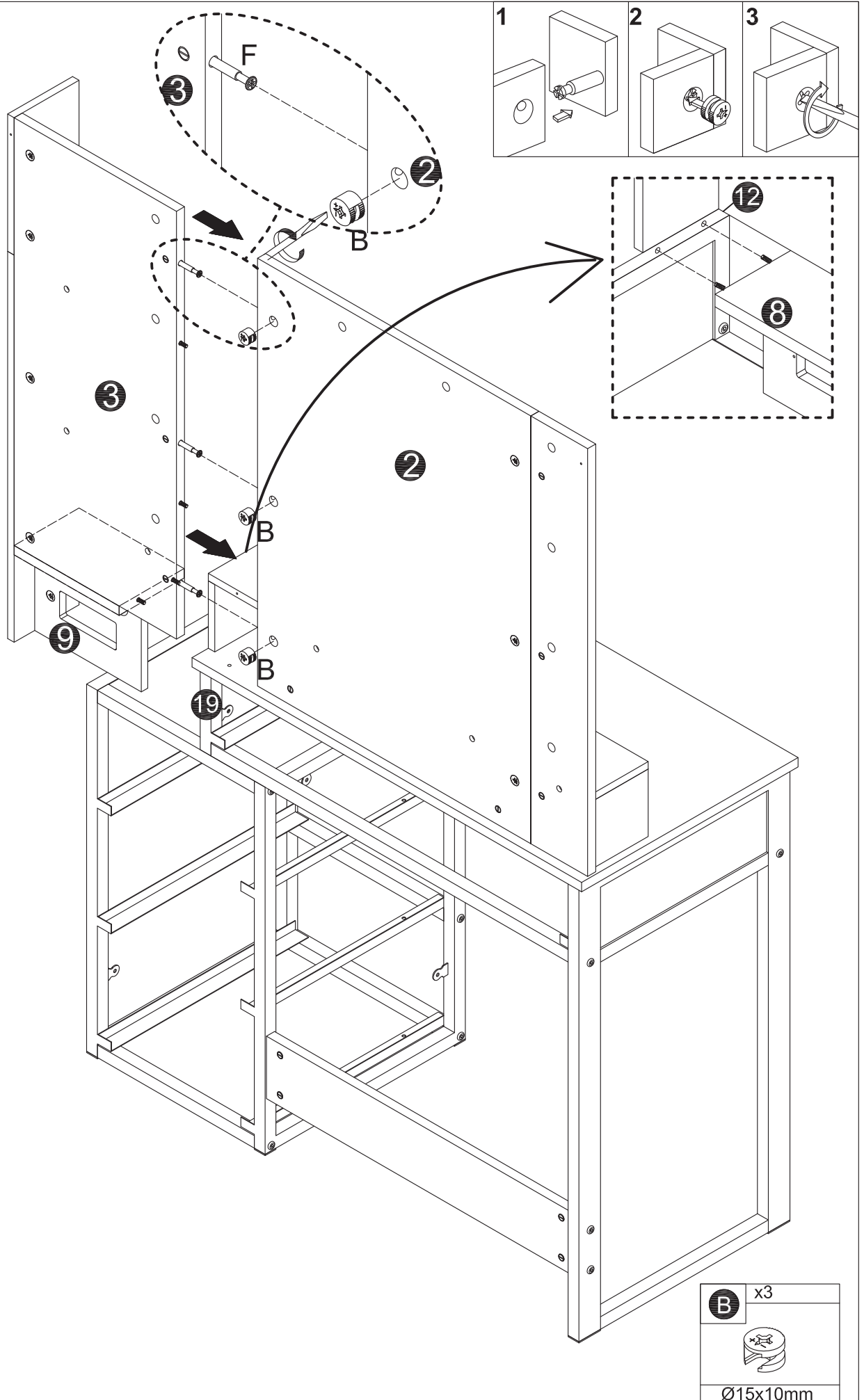


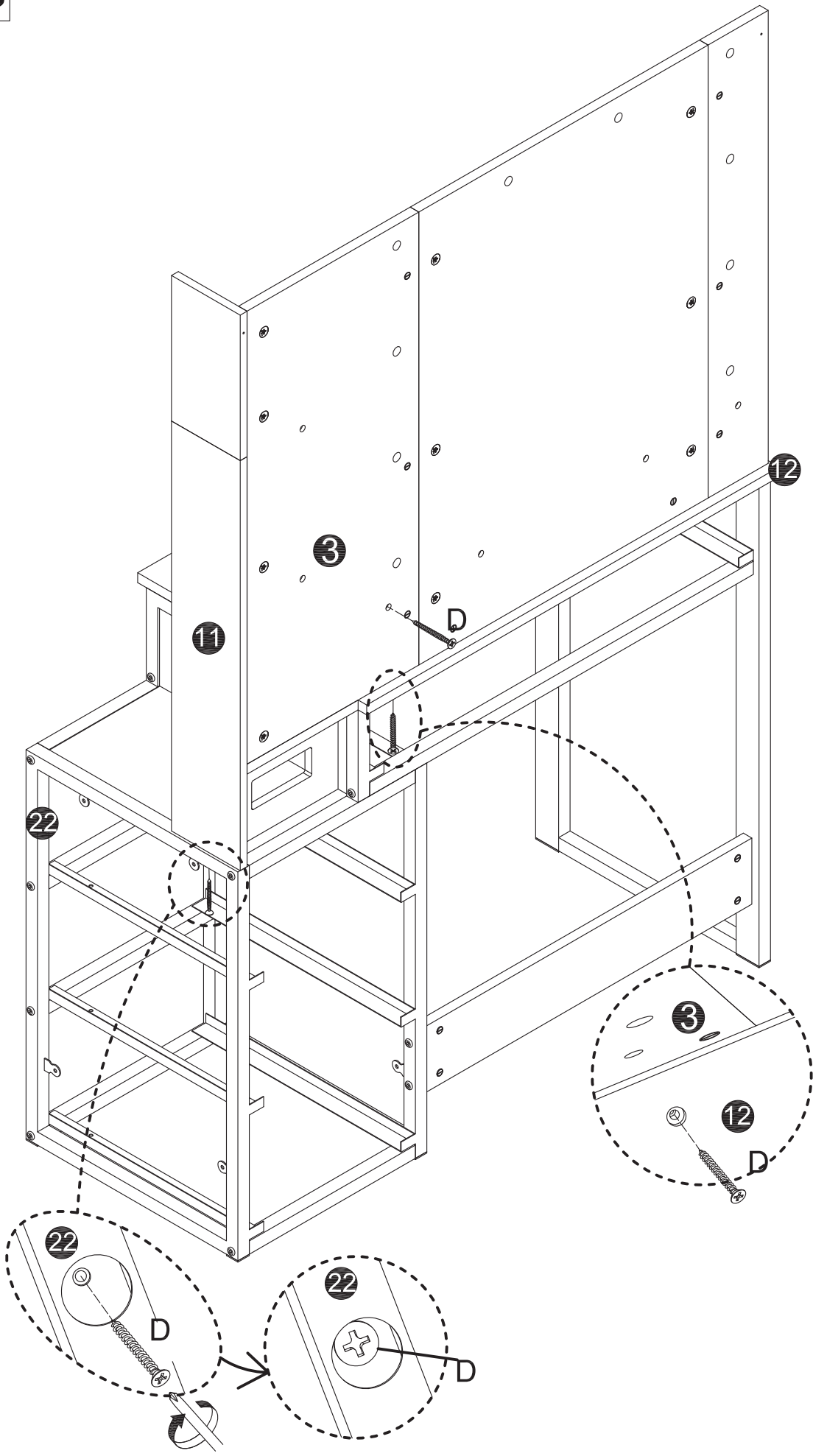
<b>B</b>	x8
Ø15x10mm	


21

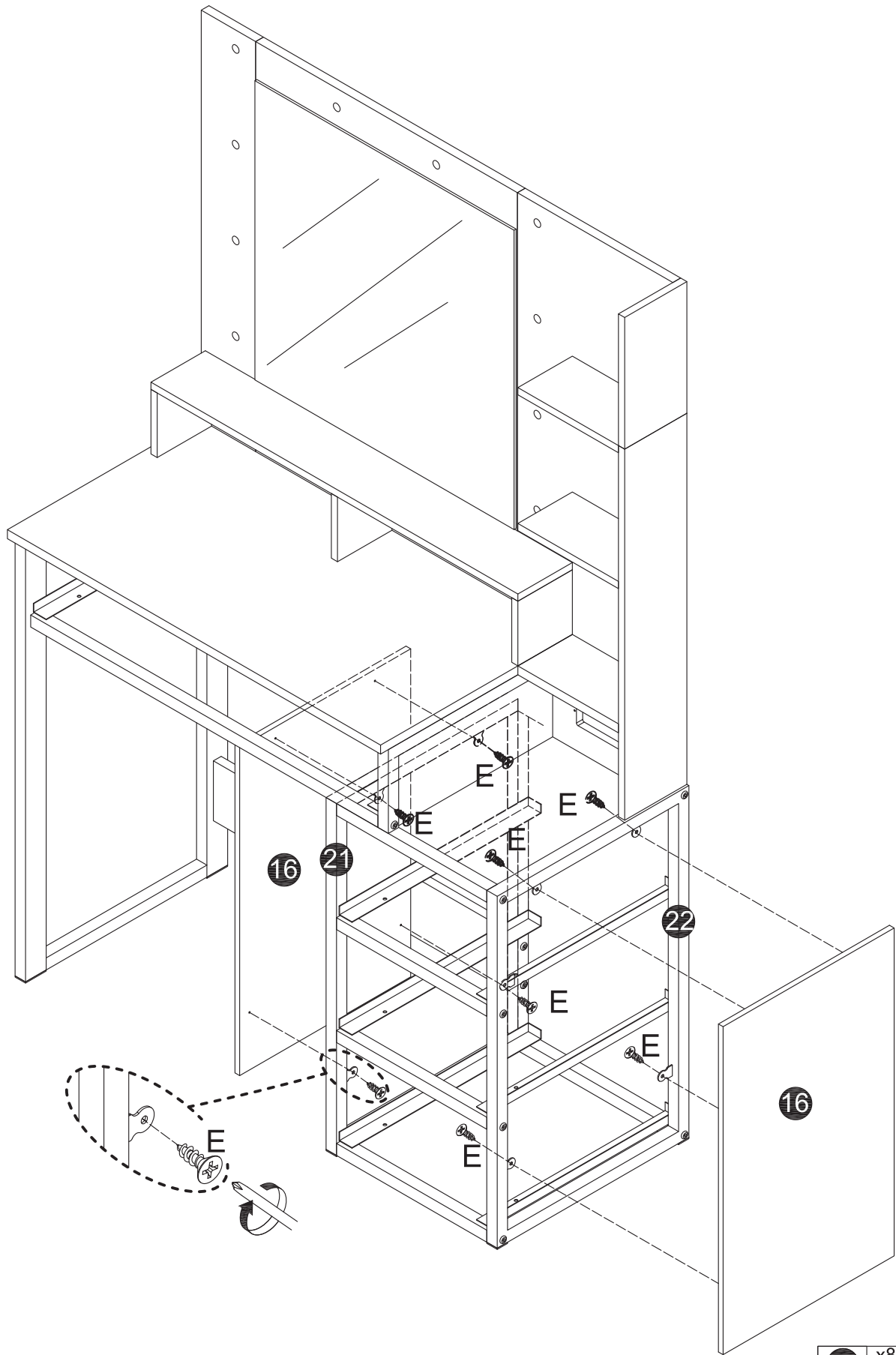



<b>G</b>	x4
Ø6x30mm	
<b>F</b>	x3
<b>G</b>	x3



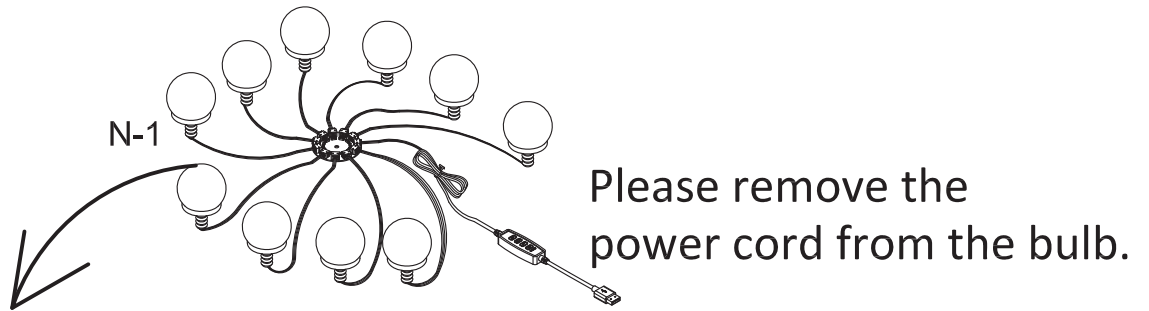
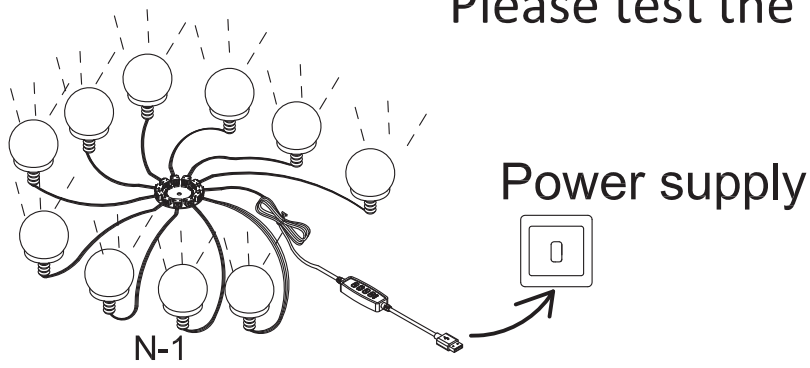


<b>D</b>	x3
	
Ø4x40mm	

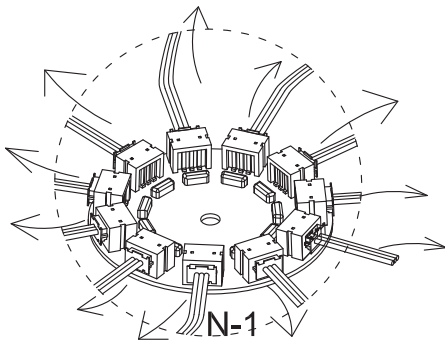


<b>E</b>	x8
	

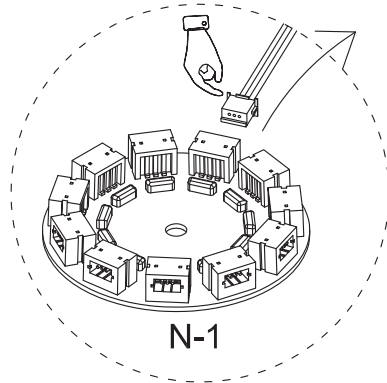
Please test the light first.



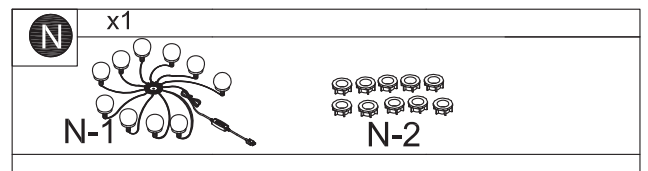
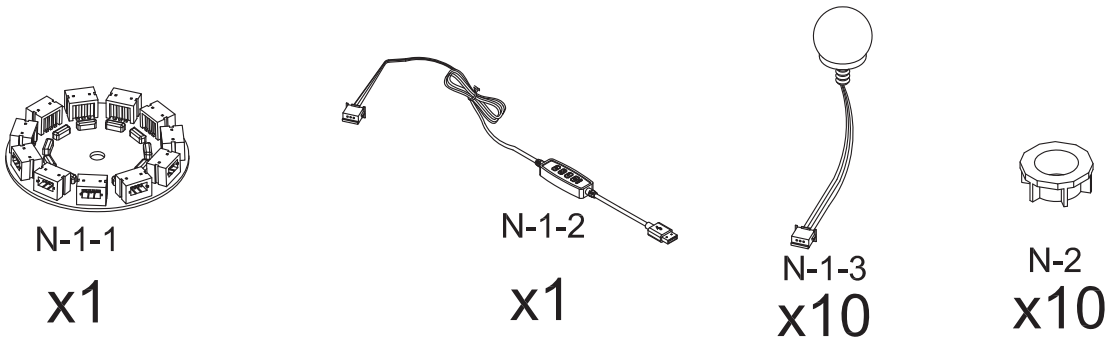
(1)

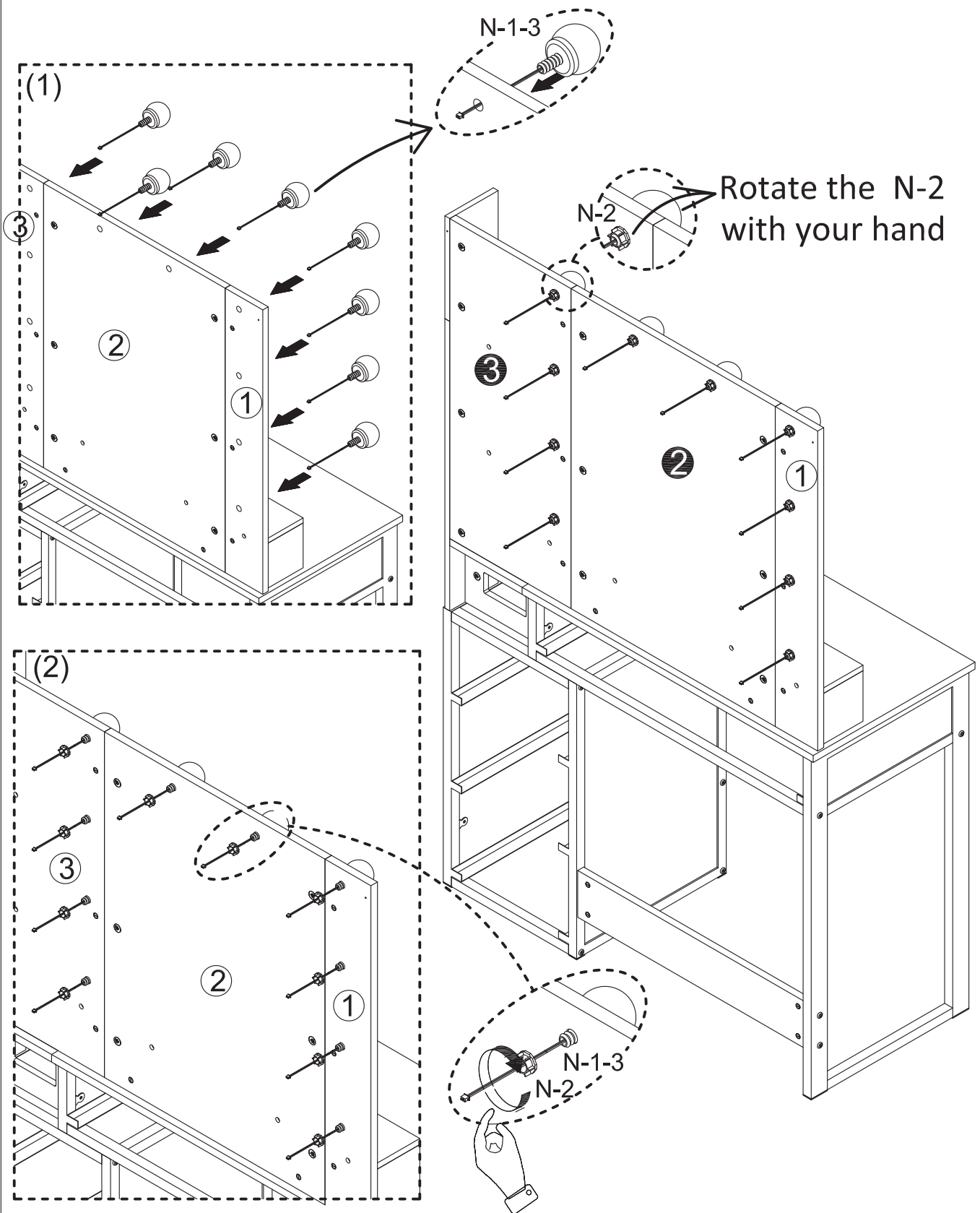


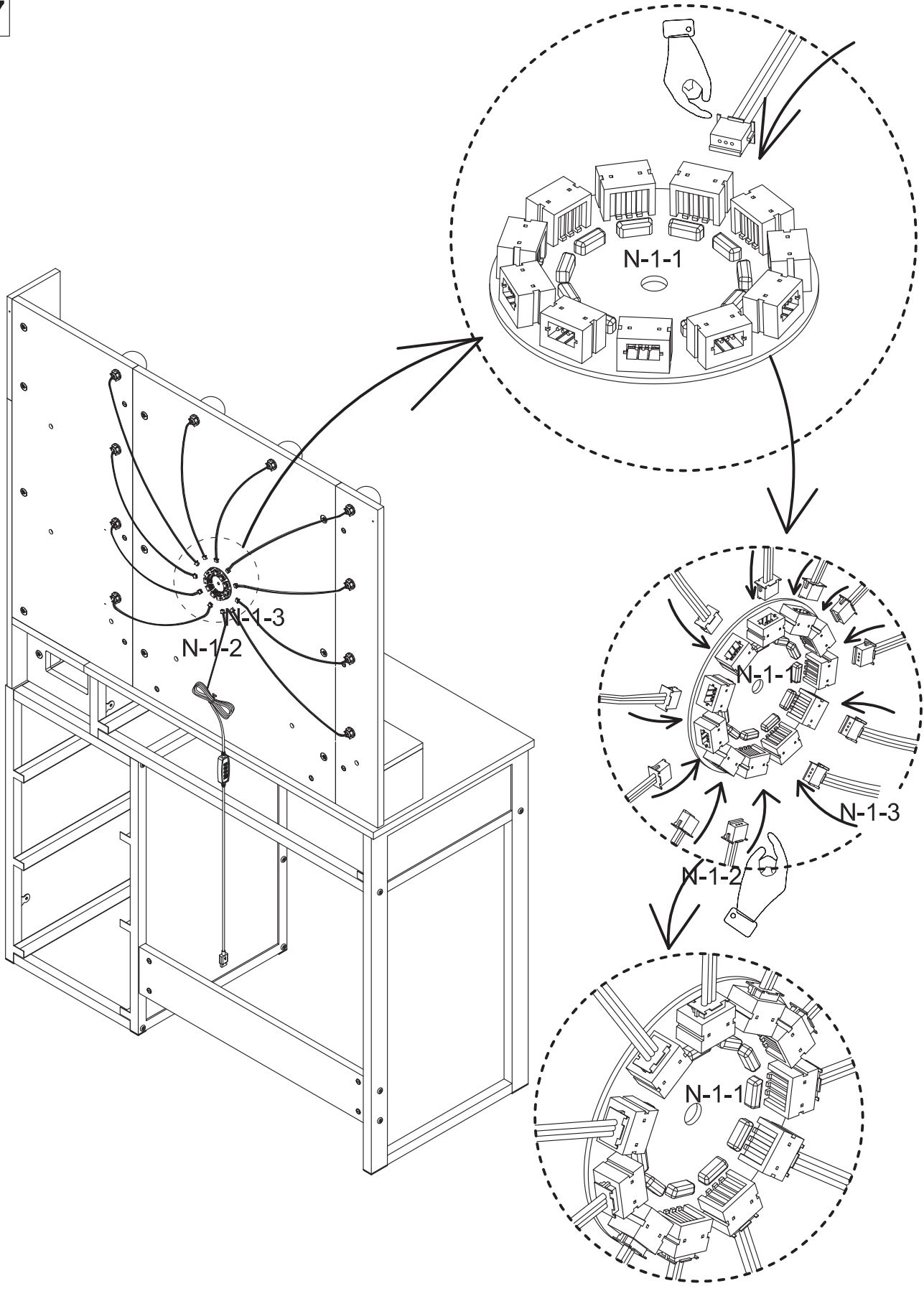
(2)



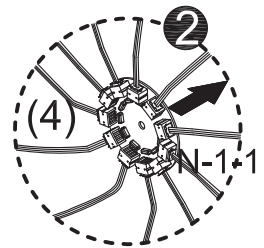
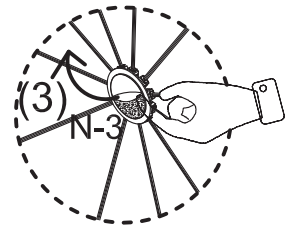
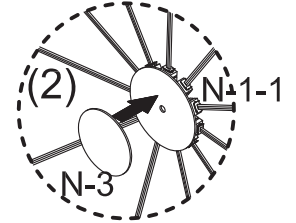
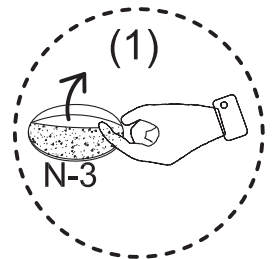
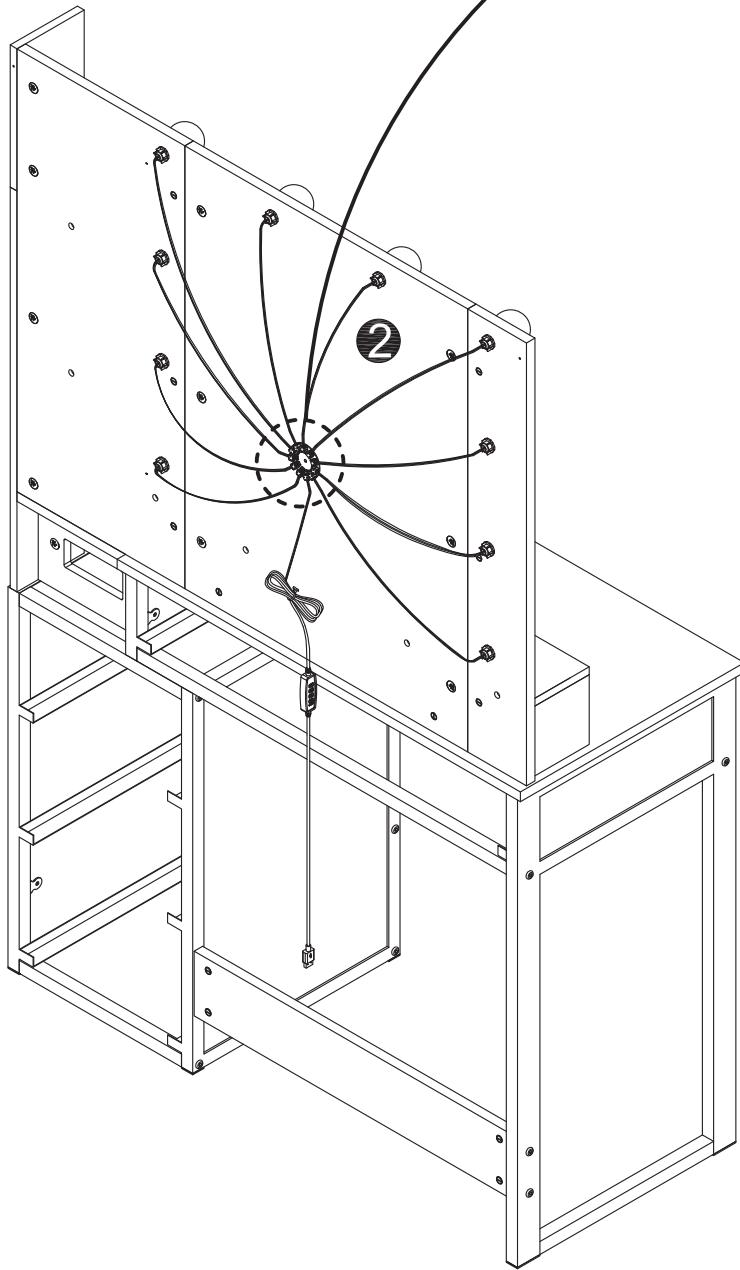
(3)




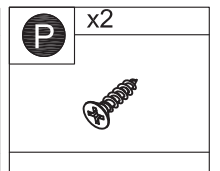
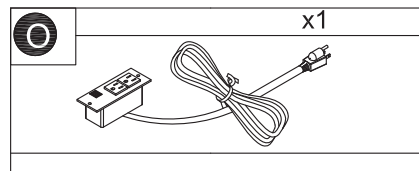
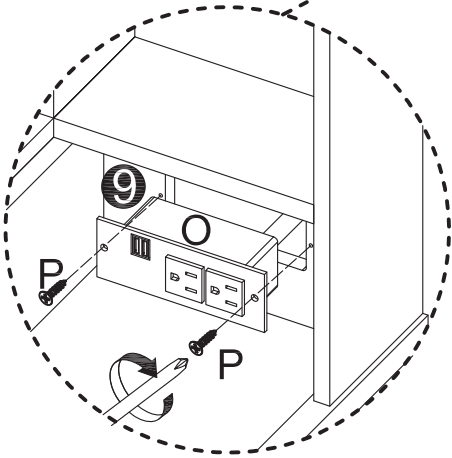
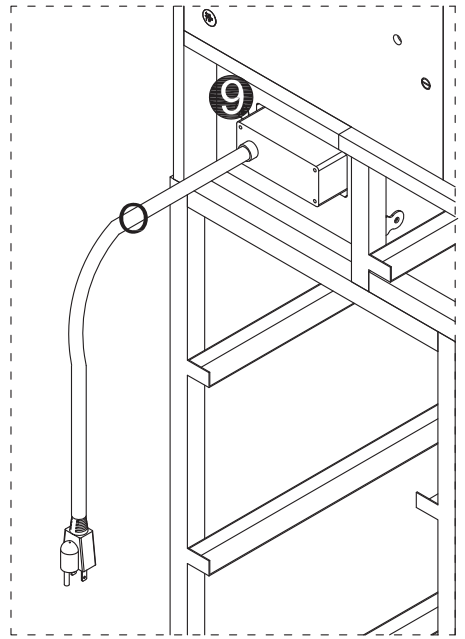
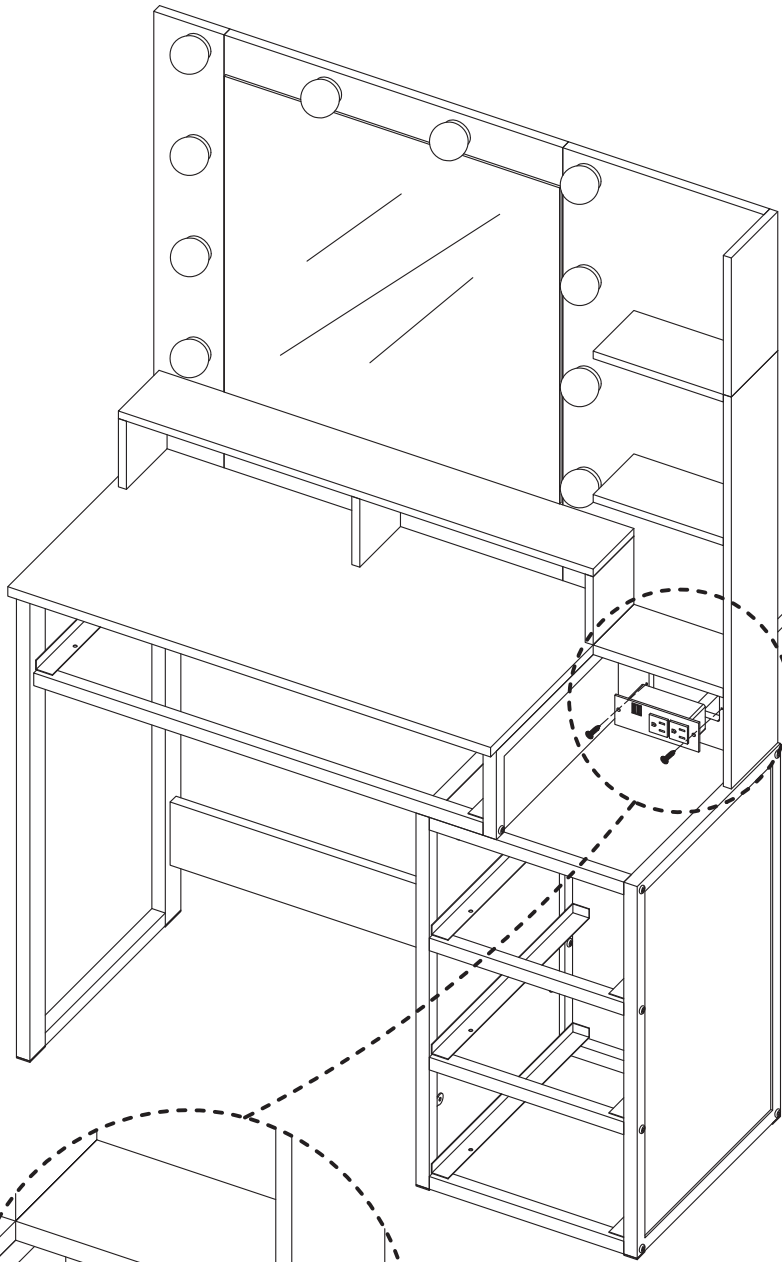


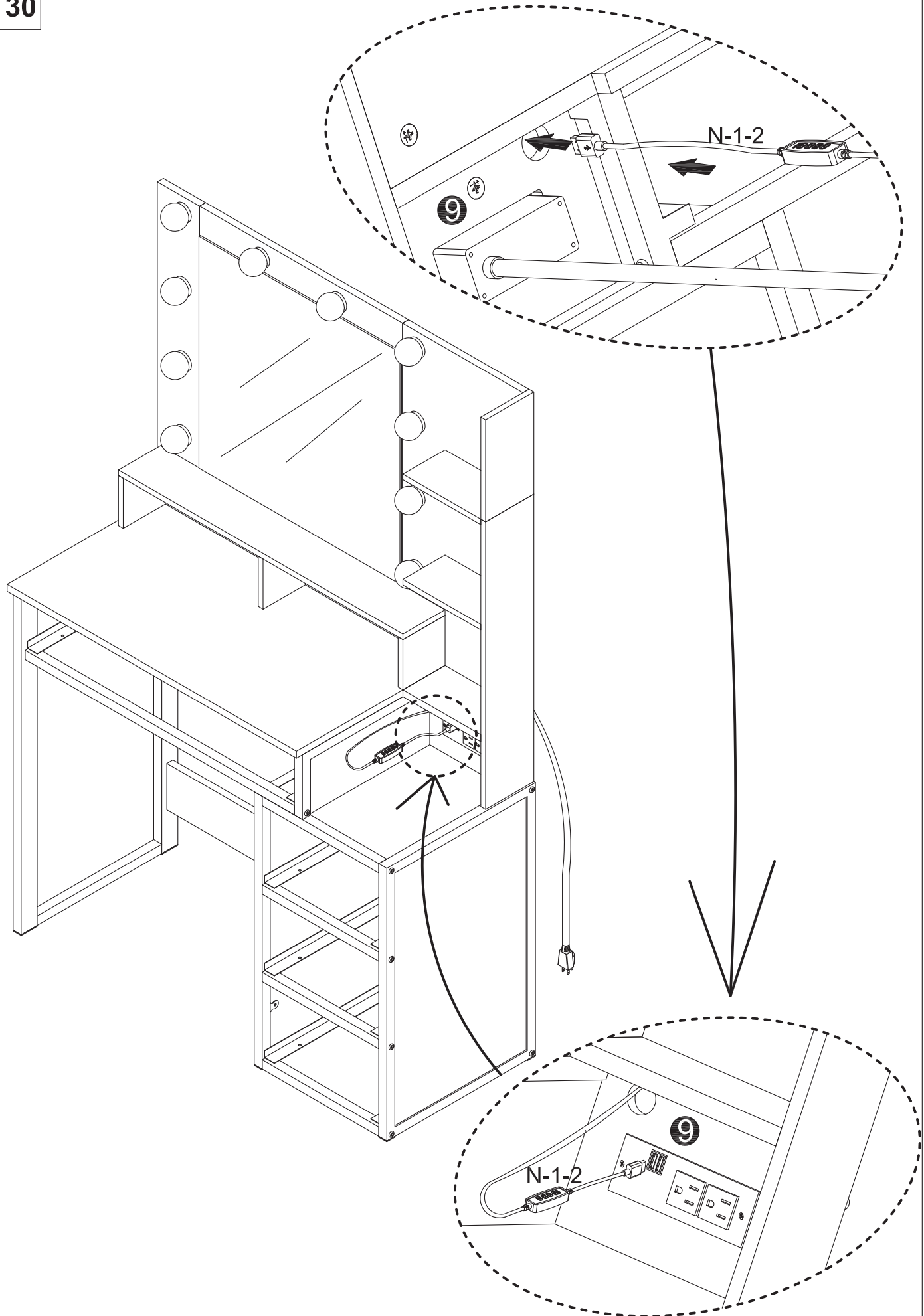


	x1	
	N-1-1	
		N-1-2

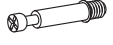


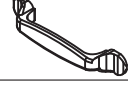





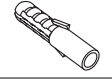


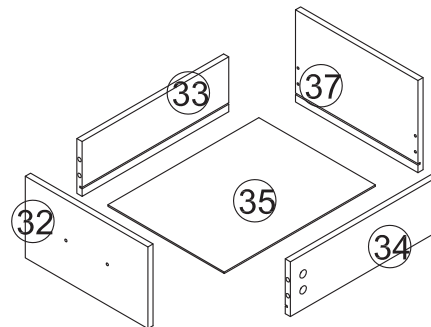
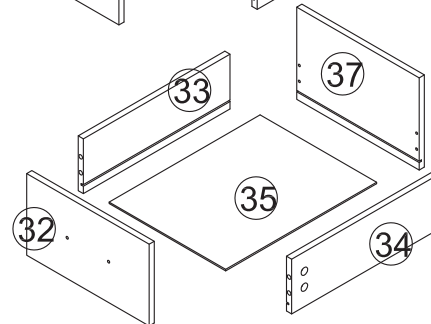
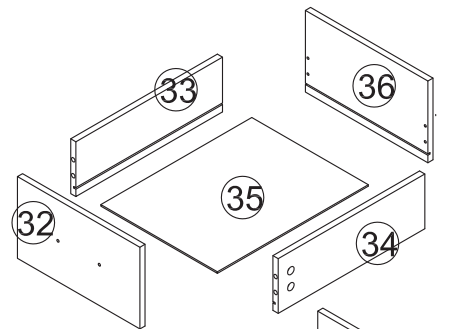
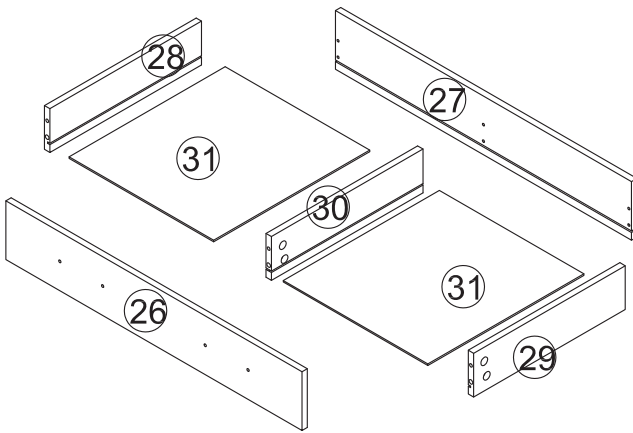
N	x1
 N-3	

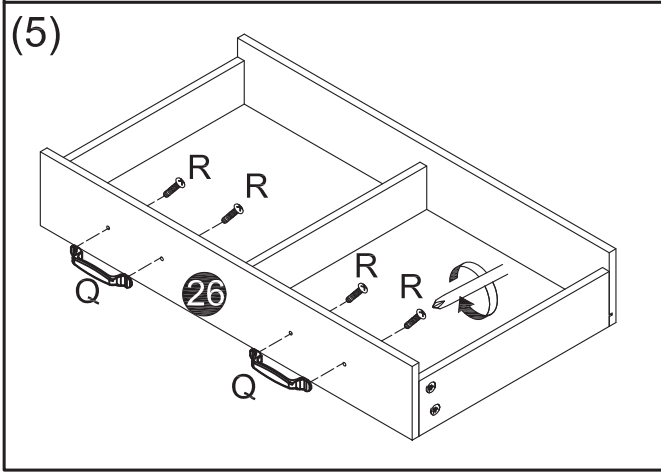
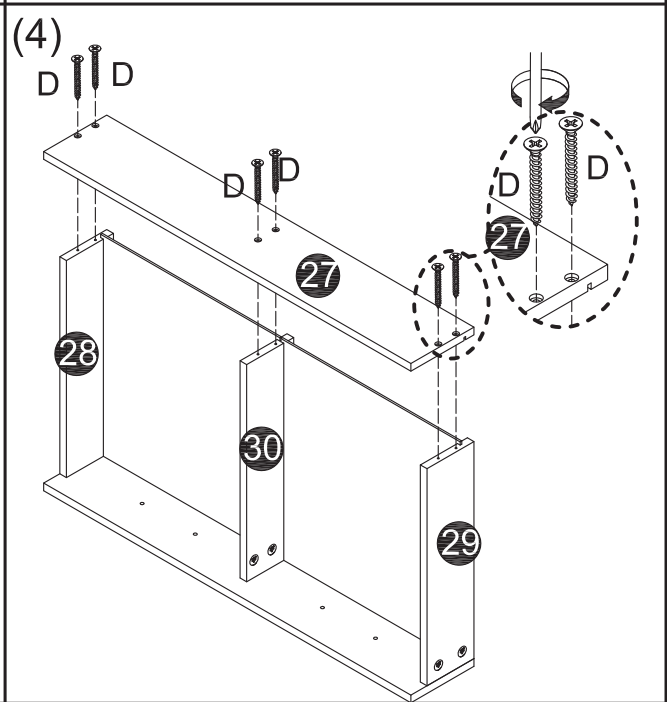
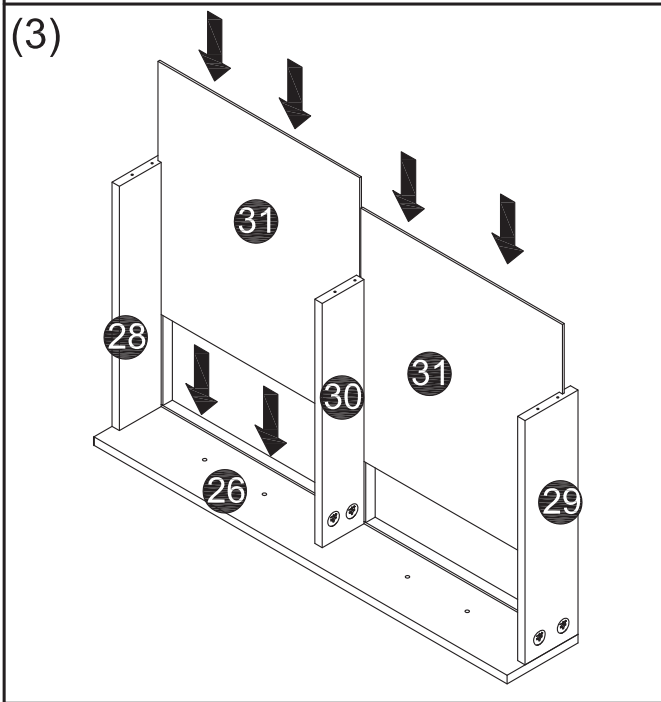
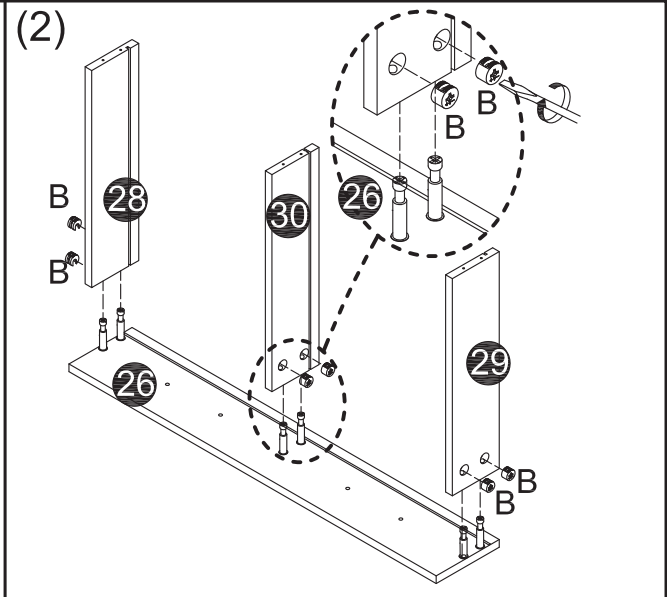
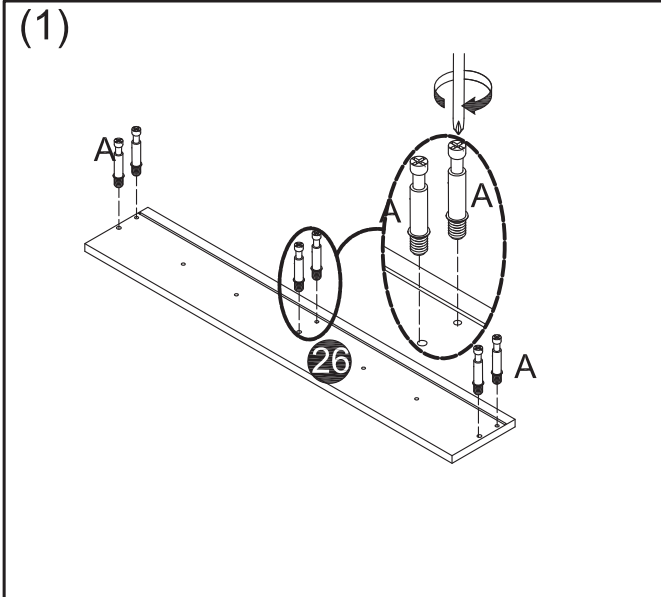
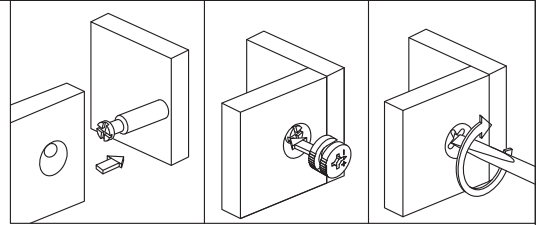
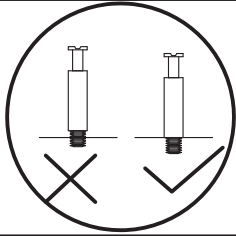





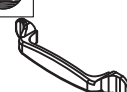



# Drawer

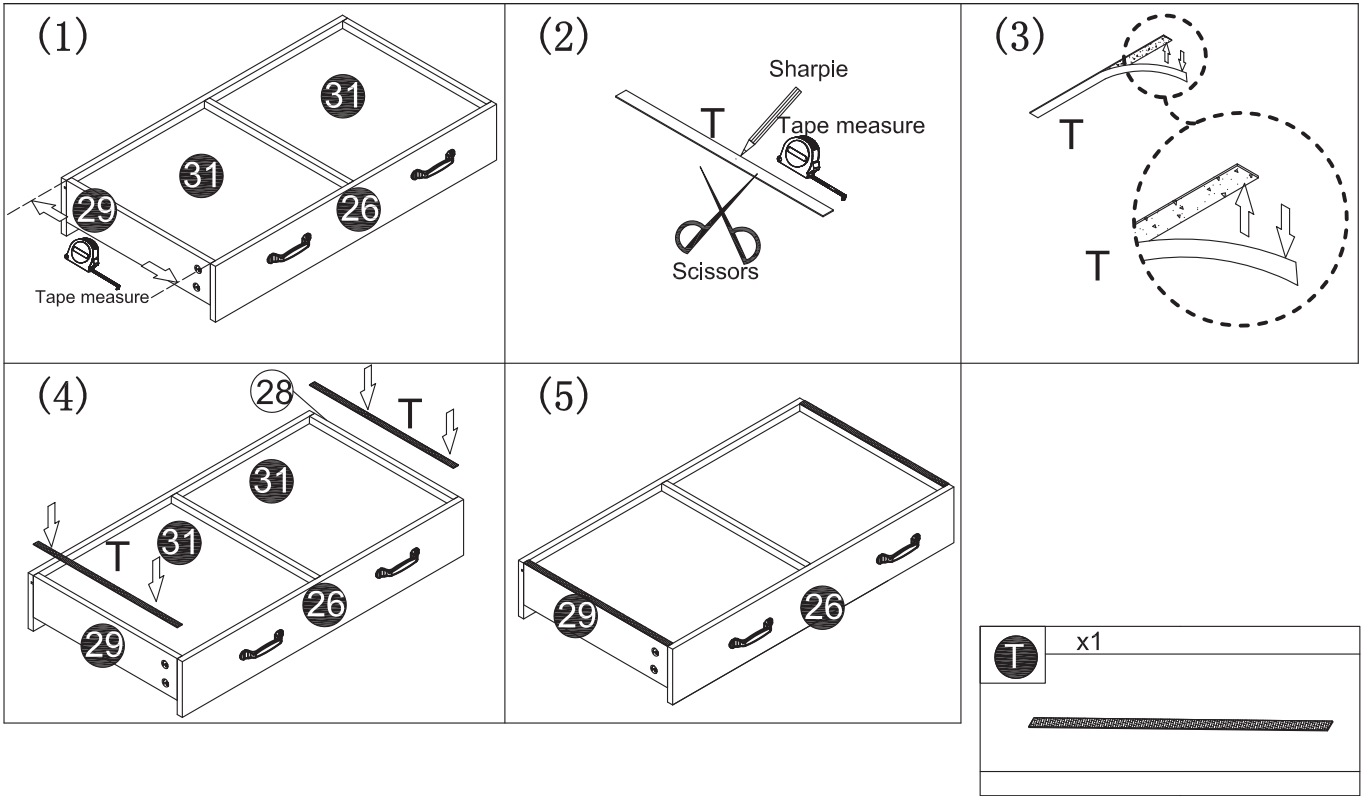
<p><b>A</b> x18</p>  <p>Ø6x35mm</p>	<p><b>B</b> x18</p>  <p>Ø15x10mm</p>	<p><b>D</b> x20</p>  <p>Ø4x40mm</p>	<p><b>Q</b> x5</p> 	<p><b>R</b> x10</p> 	<p><b>S</b> x3</p> 
<p><b>T</b> x4</p> 	<p><b>U</b> x2</p> 	<p><b>V</b> x2</p>  <p>Ø4x14mm</p>	<p><b>M</b> x2</p> 		



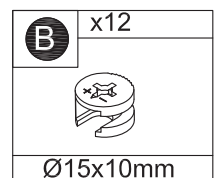
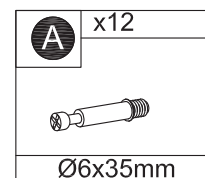
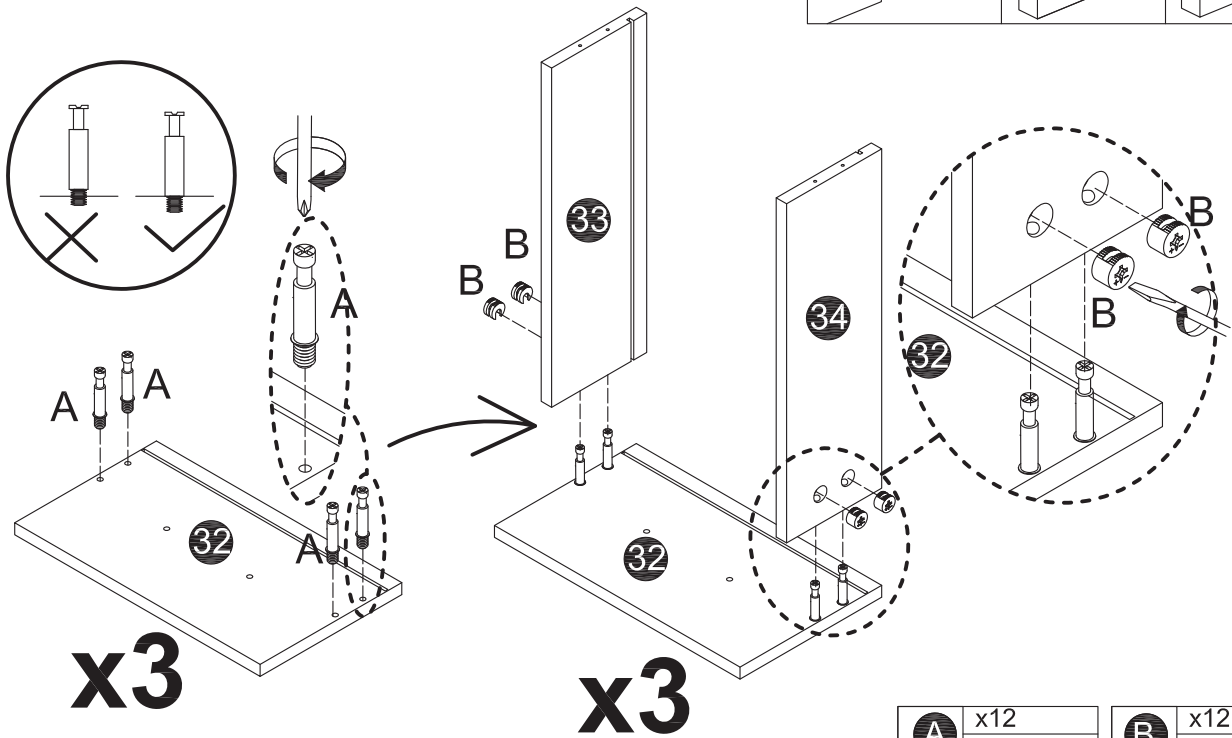
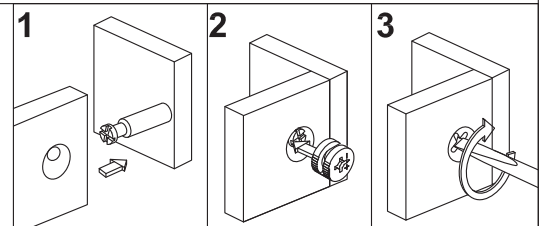


<p><b>A</b> x6</p>  <p>Ø6x35mm</p>	<p><b>B</b> x6</p>  <p>Ø15x10mm</p>
<p><b>D</b> x6</p>  <p>Ø4x40mm</p>	<p><b>Q</b> x2</p> 
<p><b>R</b> x4</p> 	

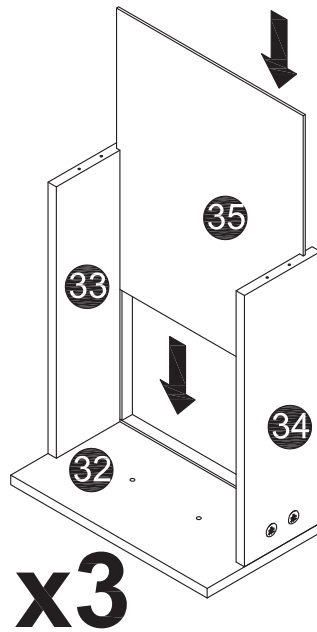
32



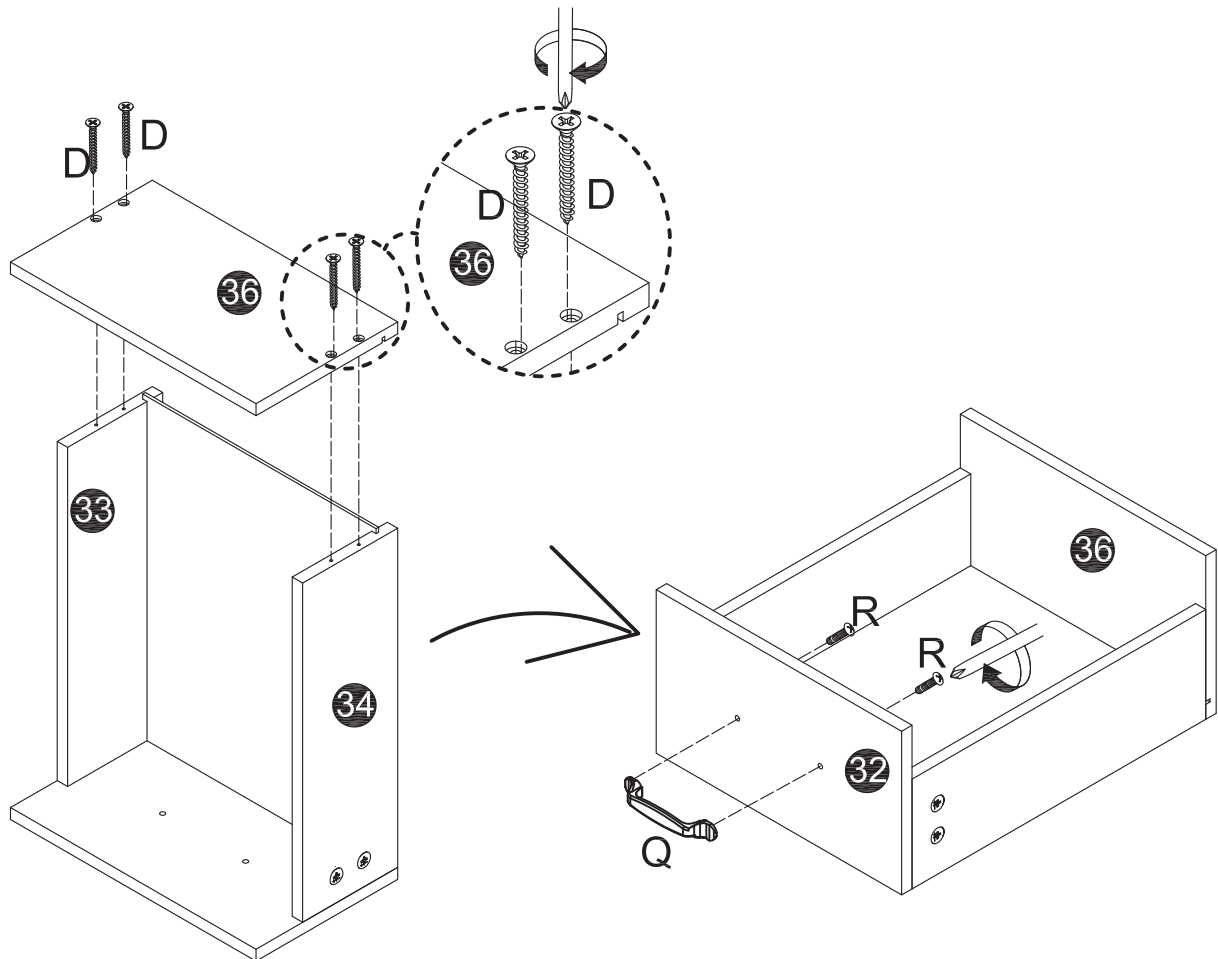
33


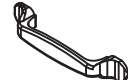



34

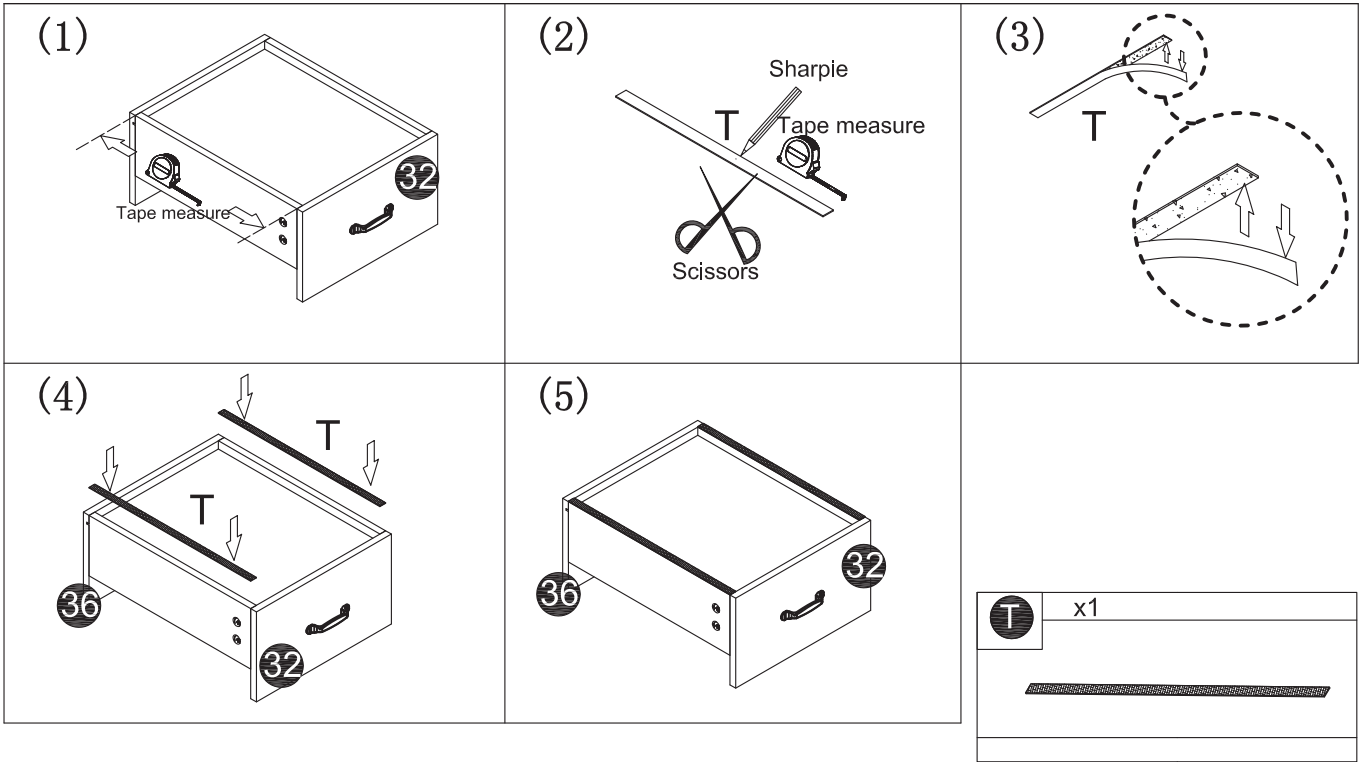


35

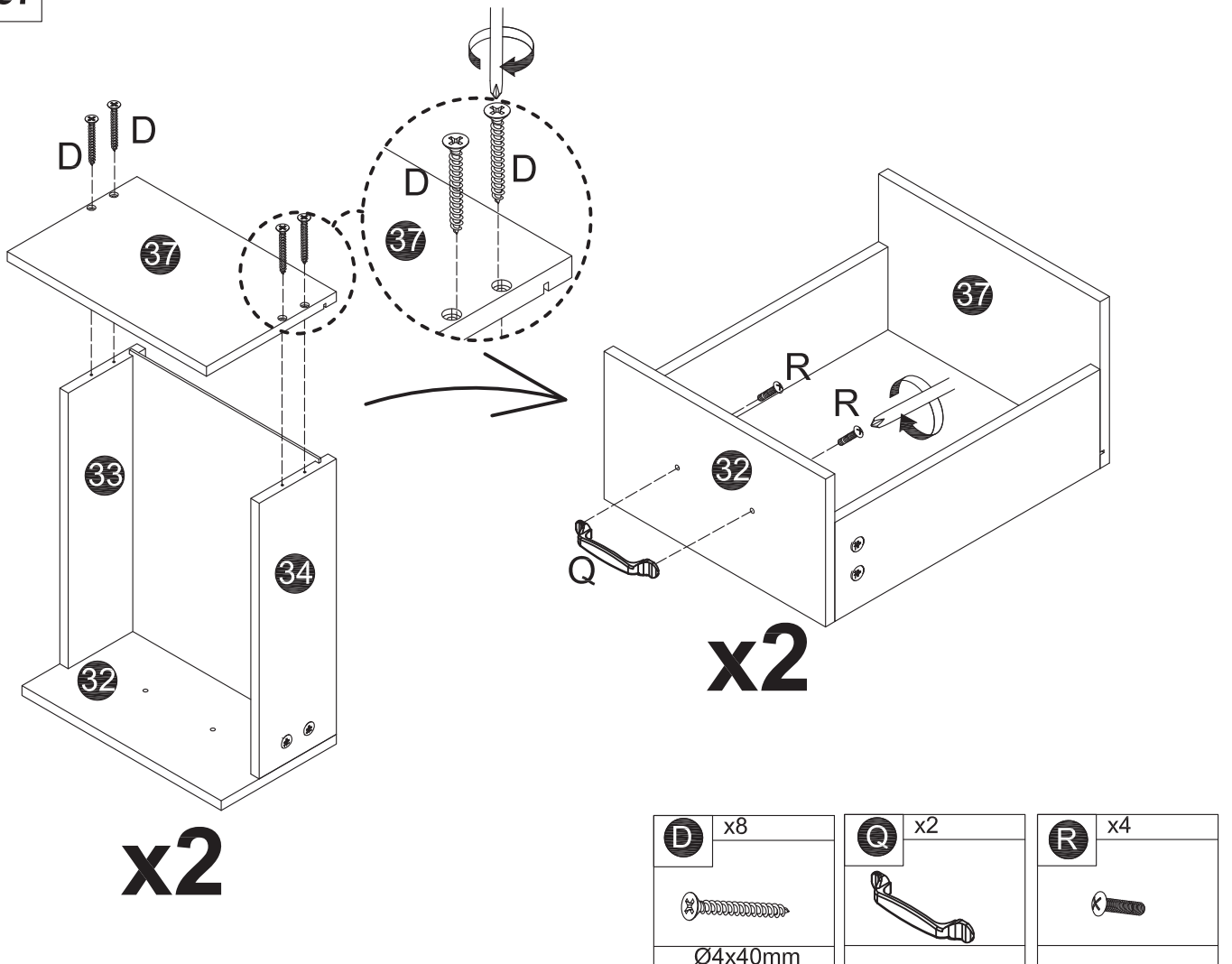


<b>D</b>	x4	<b>Q</b>	x1	<b>R</b>	x2
					
Ø4x40mm					

36



37



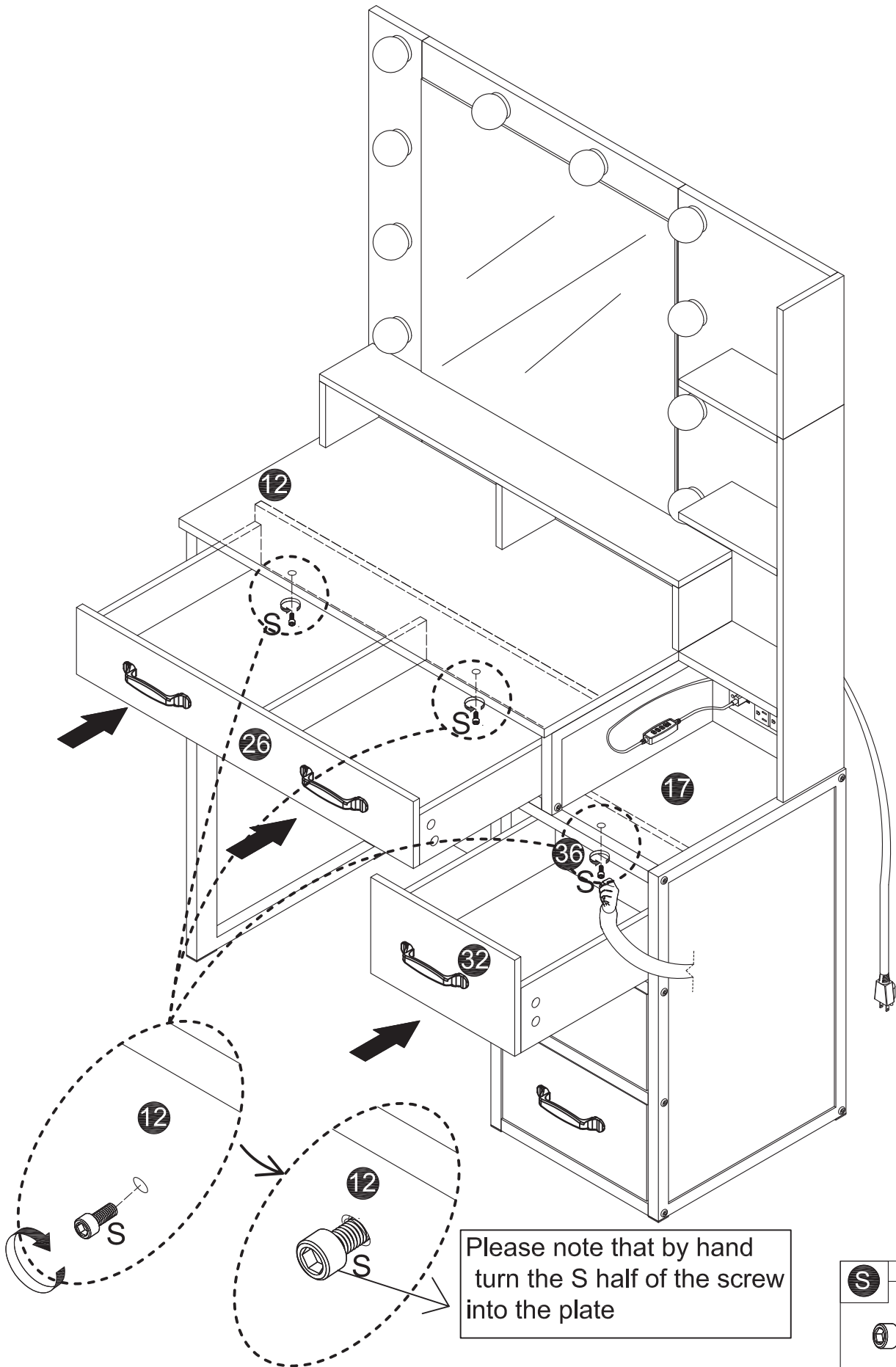
<p>(1)</p> <p>Tape measure</p> <p><b>x2</b></p>	<p>(2)</p> <p>Sharpie</p> <p>T</p> <p>Tape measure</p> <p>Scissors</p> <p><b>x2</b></p>	<p>(3)</p> <p>T</p> <p><b>x2</b></p>				
<p>(4)</p> <p>T</p> <p><b>x2</b></p> <p>37</p> <p>32</p>	<p>(5)</p> <p>37</p> <p>32</p> <p><b>x2</b></p>	<table border="1"> <tr> <td><b>T</b></td> <td>x2</td> </tr> <tr> <td colspan="2"></td> </tr> </table>	<b>T</b>	x2		
<b>T</b>	x2					

37

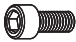
32

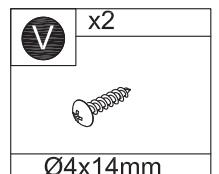
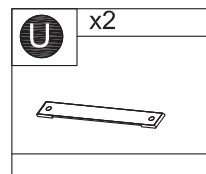
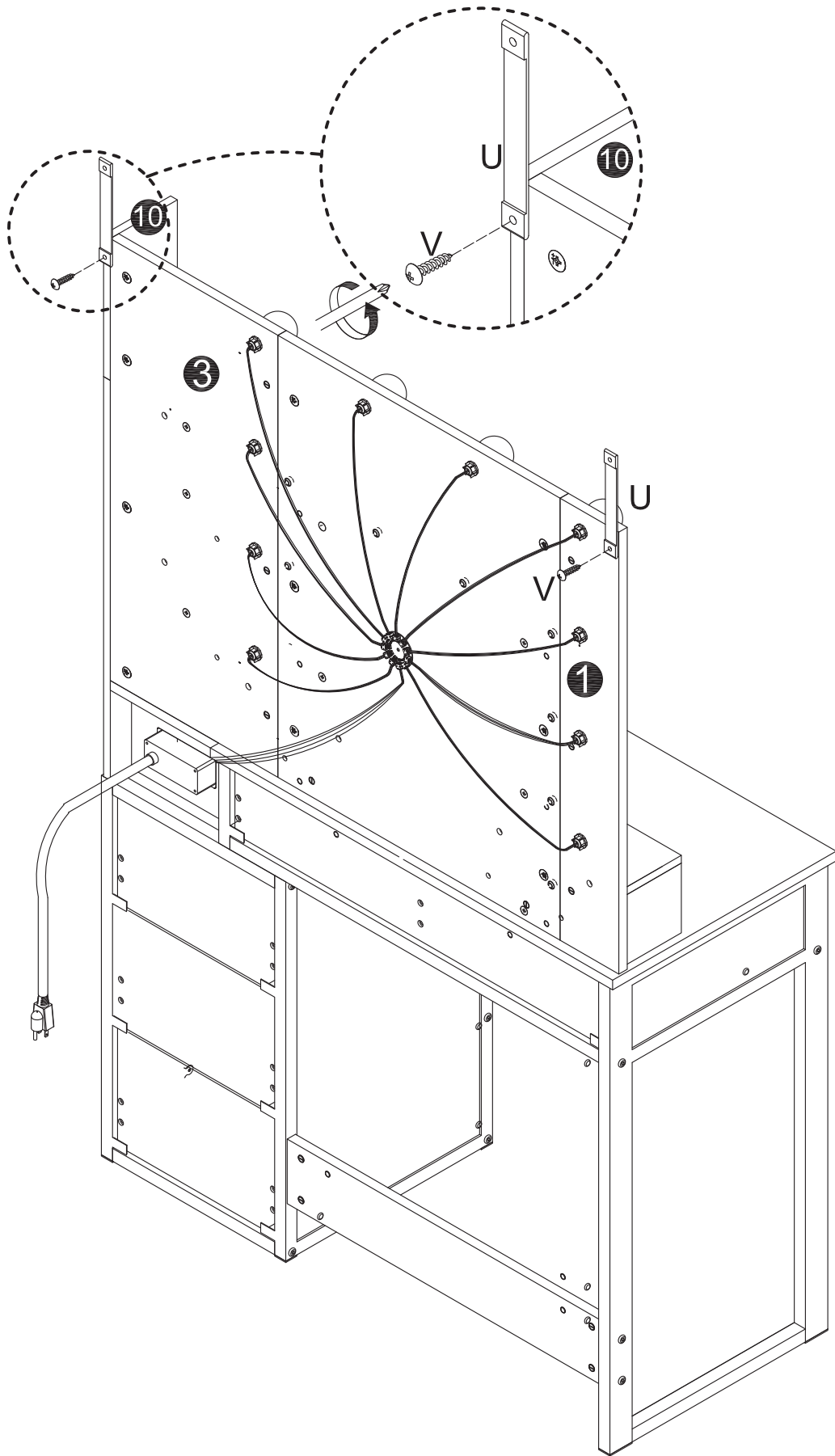
32

37



Please note that by hand  
turn the S half of the screw  
into the plate

<b>S</b>	x3
	



42

