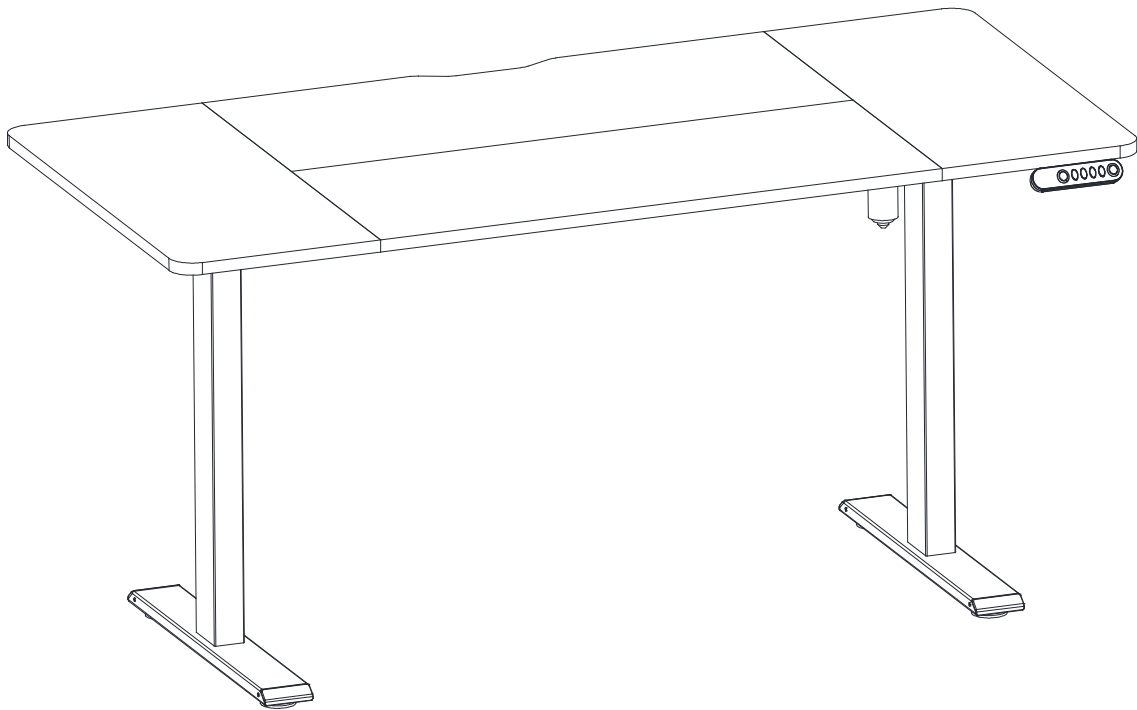


Electric Height Adjustable Standing Desk

USER MANUAL





IMPORTANT INFORMATION
READ CAREFULLY.
KEEP THIS INFORMATION FOR FURTHER REFERENCE.

GENERAL GUIDELINES

- Please read the following instruction carefully and use the product accordingly.
- Please keep this manual and hand it over when you transfer the product.
- This summary may not include every detail of all variations and considered steps. Please **contact us** when further information and help are needed.

NOTES

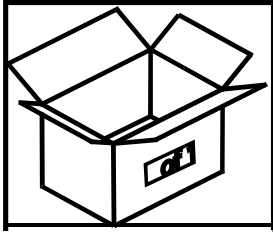
- Please follow the assembly instructions precisely and only use the product as intended.
- If an odor is present when first opening the package, please leave the unwrapped product in a shaded and ventilated area for a few days to air out.
- Prior to assembly, please check the product for defects or missing accessories. If any defects are found or accessories are missing, do not use product as damage or injury may occur;
- Please **contact us** for assistance and replacement.
- During assembly, please only slightly tighten all screws in their correct position first, then fully tighten them. A Philips screwdriver is recommended but not included.
- It is suggested you regularly check the products bolts and connections to ensure safe use.
- Assemble the item on a soft flat and clean surface to avoid scratches and damage.




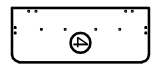
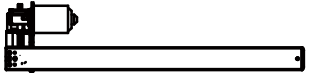
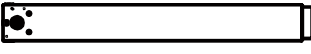



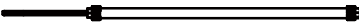
WARNINGS

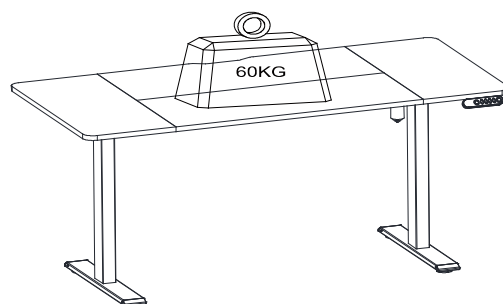
- During assembly, keep parts and packaging materials away from children and pets as there could cause injury and are a potential choking hazard.
- Avoid sharp objects or corrosive chemicals to prevent damage to the product.
- Please open the item slowly and cautiously to avoid pinching your hands by metal joints, especially children.

Components

Please check you have all the pieces listed below

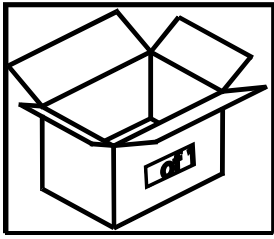


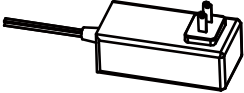
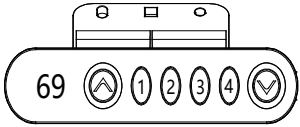

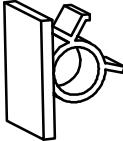

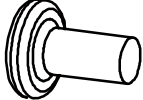
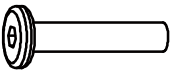
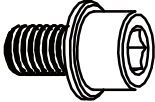
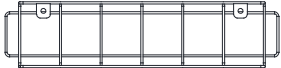


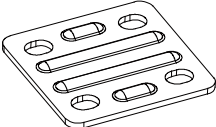
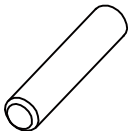
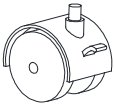
Reference	Description	Part	Quantity
1	Desktop-1		1
2	Desktop-2		1
3	Desktop-3		1
4	Desktop-4		1
5	Left Leg		1
6	Right Leg		1
7	Support Beam		2
8	Side Bracket		2
9	Base		2
10	Sync Rod		1



Components

Please check you have all the pieces listed below



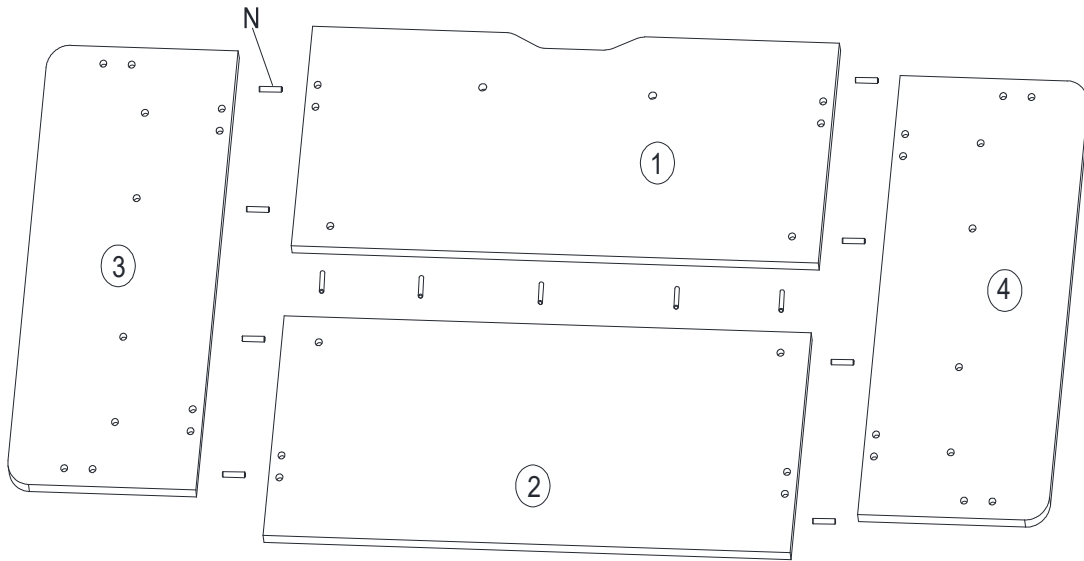
<p>A </p> <p>Power Cable X1 pc</p>	<p>B </p> <p>Controller x1 pc</p>	<p>C </p> <p>Leveling Studs x4 pcs</p>
<p>D </p> <p>Wire Clips x5 pcs</p>	<p>E </p> <p>4mm Allen Key x1 pc</p>	<p>F </p> <p>Screws M6X12X38 pcs</p>
<p>G </p> <p>Screws M6X35x10 pcs</p>	<p>H </p> <p>Screws M5X8x14 pcs</p>	<p>O </p> <p>Wire Basket x1 pc</p>
<p>J </p> <p>Hook x1 pcs</p>	<p>L </p> <p>Hexagon bar x1 pcs</p>	
<p>M </p> <p>Connectors x4 pcs</p>	<p>N </p> <p>Wooden Rod x16 pcs</p>	
<p>T </p> <p>Lockable wheel x4 pcs</p>		

1

N X13

Wooden Rod

Note: Three more woden rods in the accessory bag



2

E X 1

4mm Allen Key

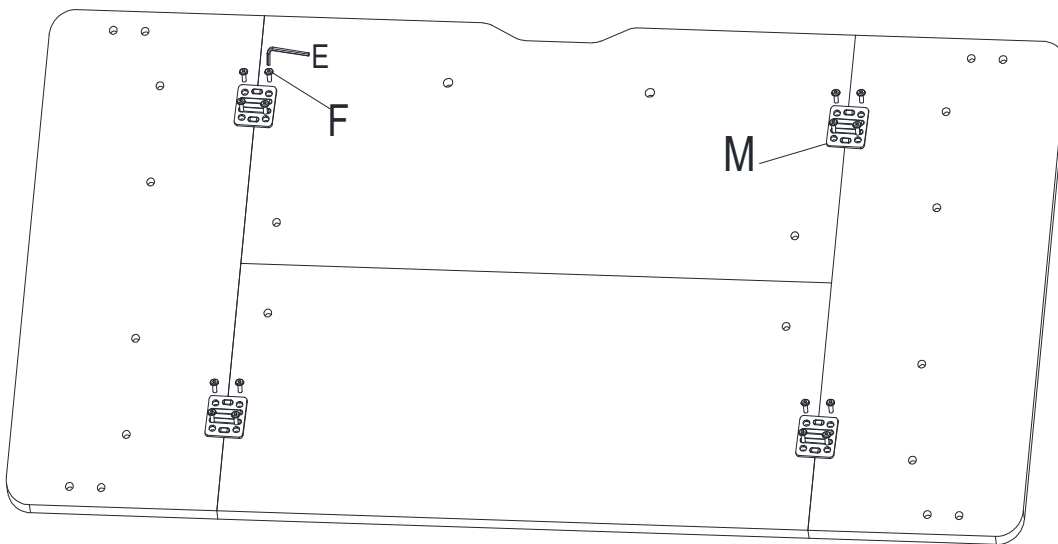
F X 16

Screws M6X12

M X 4

Connector

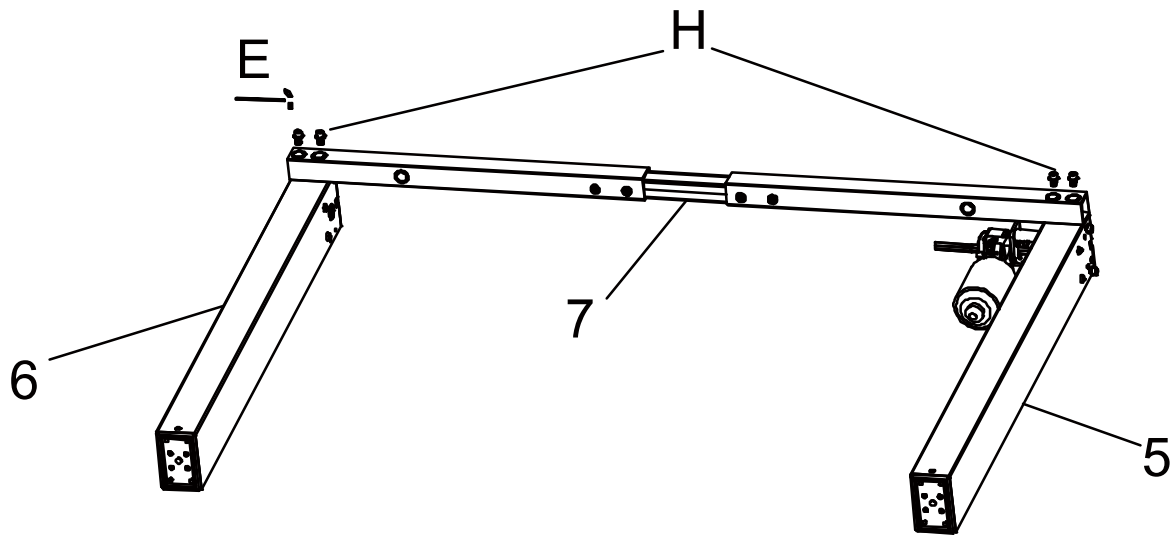
Note: The horizontal bar on the Connector should be perpendicular to the seam of the table panel splice



3

E	×1	H	×4
4mm Allen Wrench		Screws M5×8	
5	×1	6	×1
Left Leg		Right Leg	
		7	×1
		Crossbars	

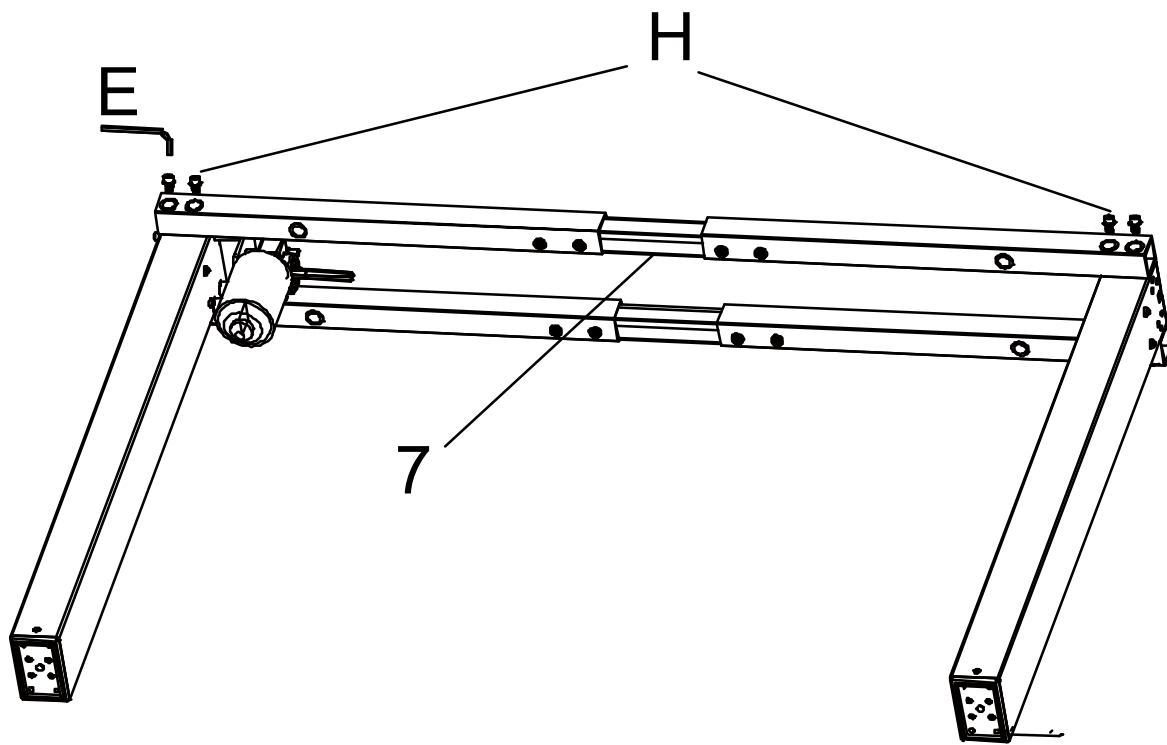
Lay down the left leg(Part 5) and right leg(Part 6), and put one crossbar(Part 7) on the legs. Insert four M5x8 screws(Part H) through the holes on the crossbar and legs by using the 4mm Allen wrench(Part E). Rotate each screw just a few turns. When all M5x8 screws are threaded, go back and tighten all remaining screws.



4

7	×1	E	×1	H	×4
Crossbars		4mm Allen Wrench		Screws M5×8	

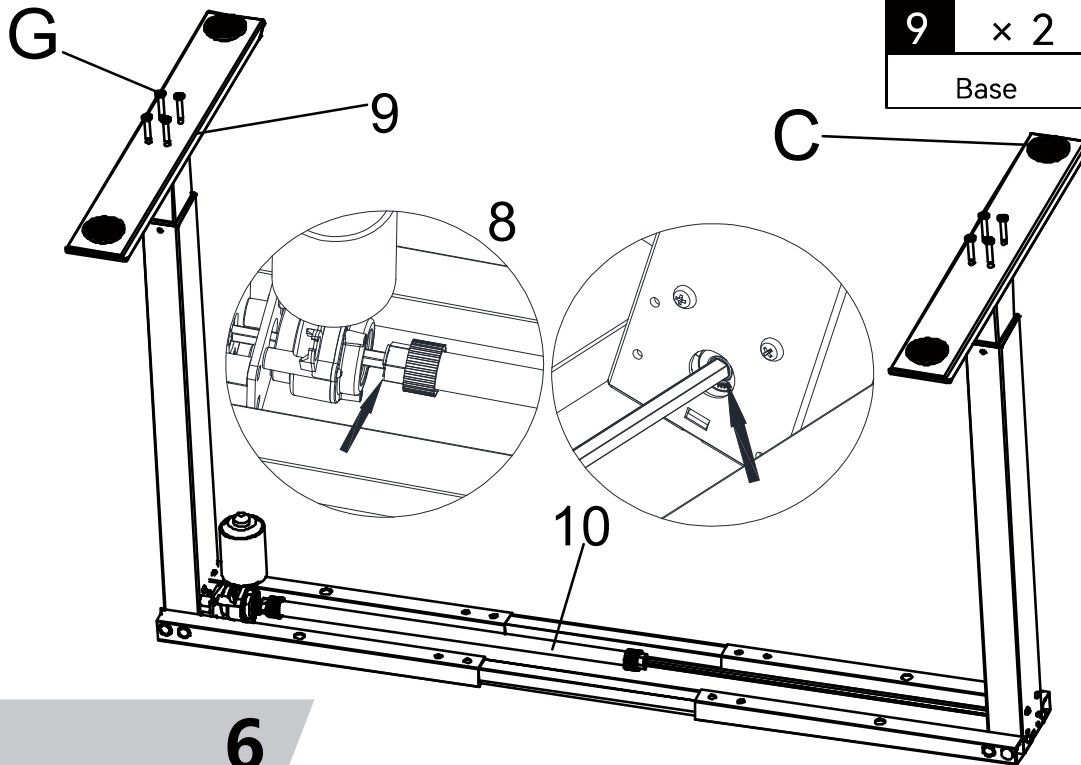
Put another crossbar(Part 7) on the other side of the legs.
Tighten four M5x8 screws(Part H) on it with the 4mm Allen wrench(Part E).



5

First, put 4 leveling studs(Part C)on two bases(Part 9), and tighten them.Then put two table bases on the bottom of the table legs, then tighten M6X35 screws(Part G) with Allen wrench(Part E). Lastly, insert the Sync rod(Part 10) into the main shaft of the table leg without motor and then lock the plastic nut,put the other side of the Sync rod into the pre-built rod on the motor leg and then lock the plastic nut again.

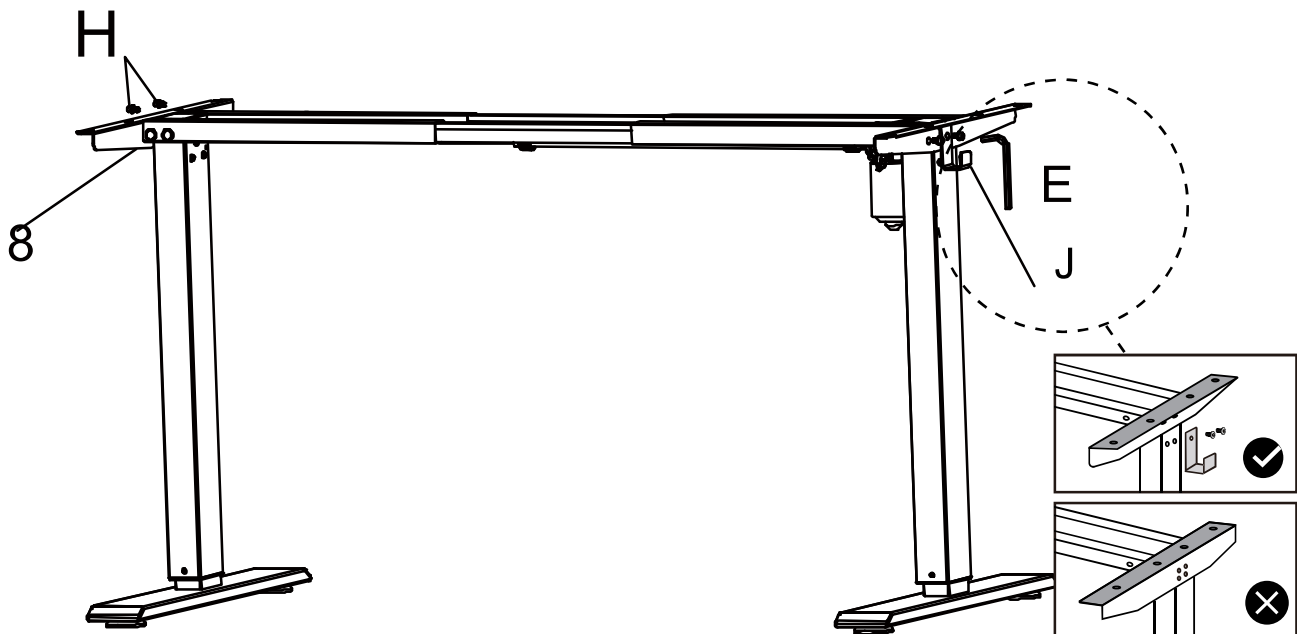
C	× 4	E	× 1	G	× 8
Leveling Studs		4mm Allen Key		Screws M6X35	
9	× 2	10	× 1		
Base			Sync Rod		



6

Turn the desk frame straight. Attach two side brackets(Part 8)and the hook(Part J)to the frame, then tighten M5X8 screws(Part H) with the 4mm Allen wrench(Part E).

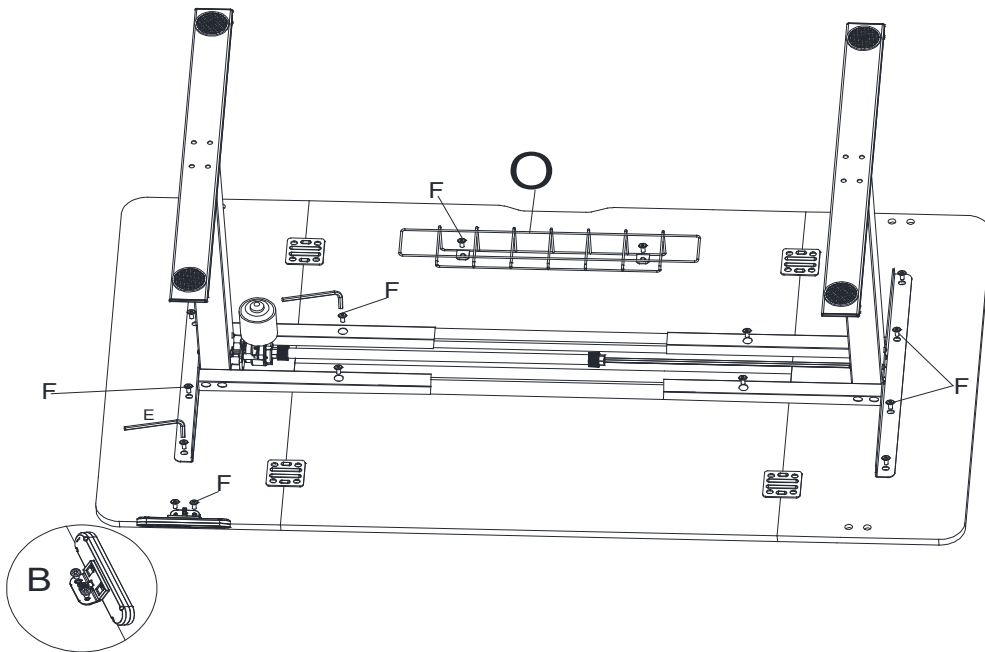
E	× 1	H	× 4	J	× 1	8	× 2
4mm Allen Key		Screws M5X8		Hook		Side Bracket	



7

Put the desk frame on the desktop, adjust the crossbars to the correct position. By using the 4mm Allen wrench(Part E), insert four M6X12 screws(Part F) through the holes in crossbar going into the desktop and eight M6X12 screws (Part F) through the holes in side brackets going into the desktop. Then tighten the screws on crossbars with 4mm Allen wrench(Part E). Use 4mm Allen Wrench(Part E) to install the Handset component(Part B) and the control box

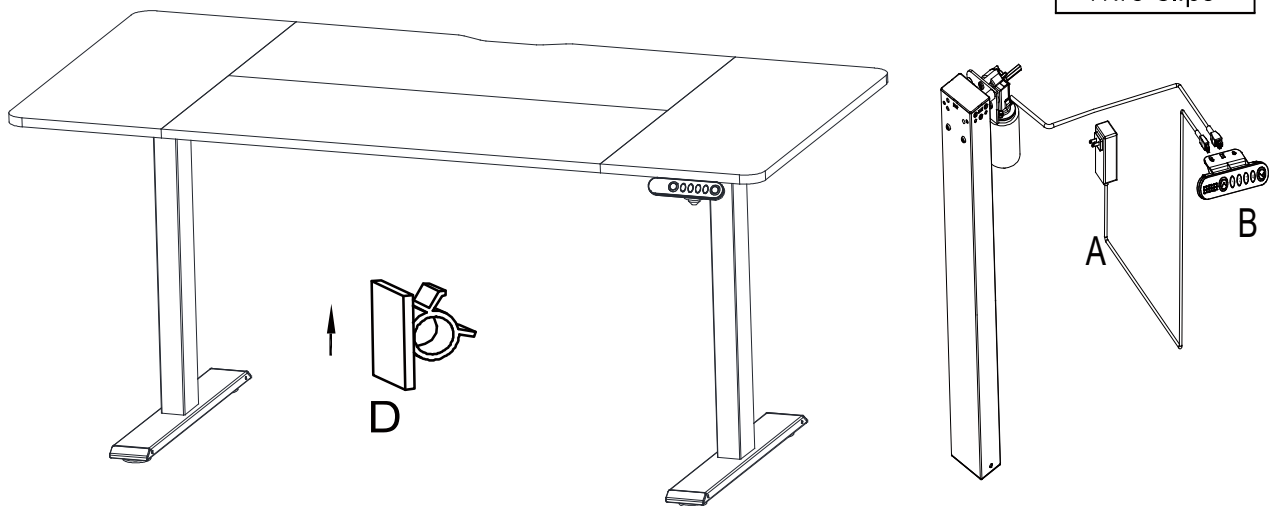
B	× 1	E	× 1	F	× 18
Controller		4mm Allen Key		Screws M6X12	



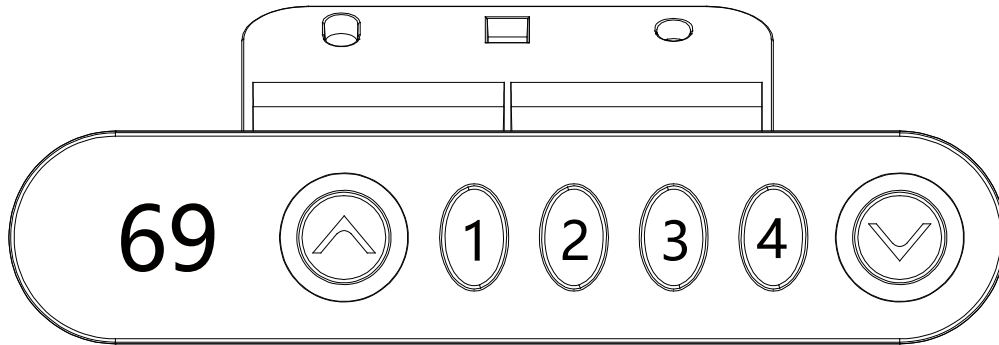
8

Connect the wiring with the handset, control box, motor and the power supply. Clip the wires with wire clips(Part D) pasted under the desktop. Then power on to use it.

D	× 5
Wire Clips	



CONTROLLER INSTRUCTION



RESET Setting	Method 1: Press and hold “^” and “v” buttons on the controller at the same time for seconds until you hear the beep. Release the buttons. The desk will go automatically until it shows 69, and the reset is successful.
Height Adjustment	Up: Press Up “^” .Down: Press Down “v” .
Switch Display	Press and hold “v” and Button 4 to switch cm to inch to cm.
Memory Height	Press and hold any memory button (1, 2, 3 or 4), see the number flash twice, release the button, this position height will be stored in memory. When the working height of memory, press the memory position button and the table will automatically adjust to the memory height. Note: This standing table has four different heights of memory. The stored memory position remains valid after the power is off. You can use the upper and down buttons to adjust the standing table to the height you need to work

Trouble shooting Guide:

If your standing desk does not work properly, you may need to reset it.

If any error codes appear, you need to reset it.

If it still does not work after the reset, please contact us for more help.

Maintenance and Consideration:

1. During daily maintenance, use a clean soft cloth to remove surface dust. Do not use a wet cloth or hard material to wipe the surface of the table.

2. Avoid contacting the surface with acid-based chemicals.

3. For slight scratches, gently wipe with a soft cloth, you can smooth out scratches. Avoid attaching tape directly to the outer surface of the metal feet to prevent paint from peeling.