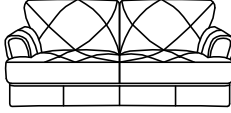
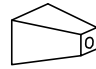
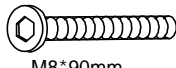
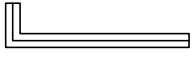


ASSEMBLY INSTRUCTION

LOVE SEAT

LEGS AND HARDWARE ARE STORED IN THE BOTTOM OF THE SEAT, PLEASE TAKE OUT FOR ASSEMBLY.

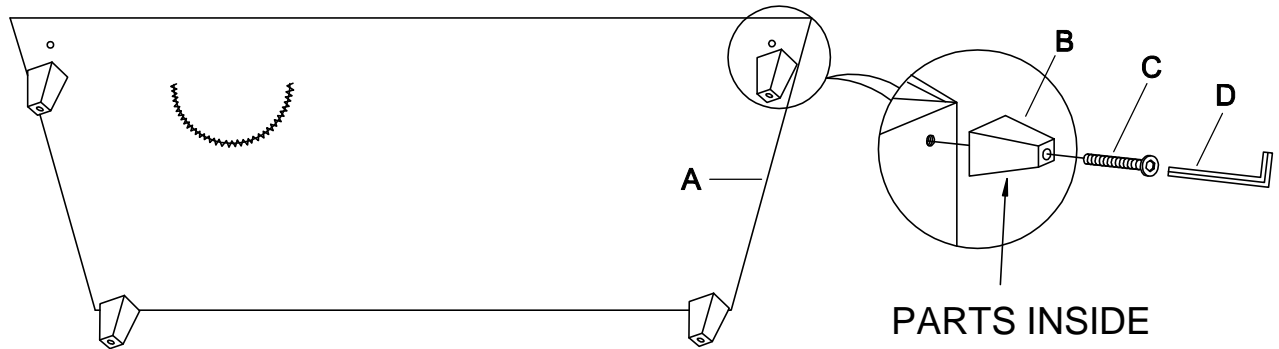
NO.	PARTS LIST	QTY	DESCRIPTION
A		1	LOVE SEAT

NO.	HARDWARE LIST	QTY	DESCRIPTION
B	 90mm*90mm*135mmH	4	WOODEN LEGS
C	 M8*90mm	4	BOLTS
D	 M5*100*38mm	1	ALLEN KEY

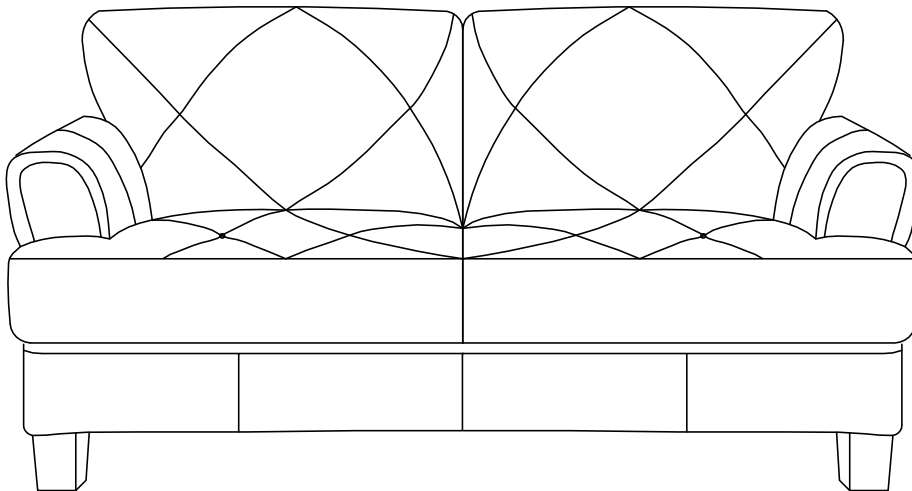
ASSEMBLY INSTRUCTION

LOVE SEAT

STEP # 1



STEP # 2



CARE INSTRUCTION FOR LEATHER FURNITURE

In order to maintain the original appearance of your furniture, please follow below care procedures .

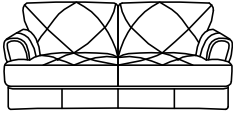

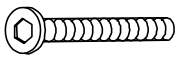
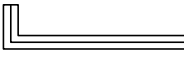
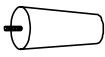
°Avoid exposing furniture directly to sunlight or heating and air conditioning outlets. sunlight and/ or exposure to heating and air conditioning outlets will fade/damage leather. Do not place your upholstered furniture too close to windows, radiators, vents and be sure to use window treatments to block the sun's rays

°Wipe with a soft brush to remove dust

ASSEMBLY INSTRUCTION

SOFA

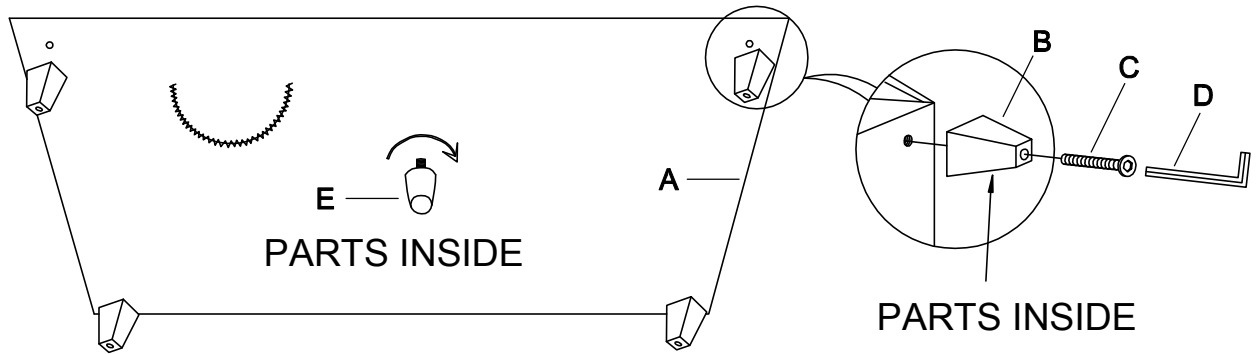
LEGS AND HARDWARE ARE STORED IN THE BOTTOM OF THE SEAT, PLEASE TAKE OUT FOR ASSEMBLY.

NO.	PARTS LIST	QTY	DESCRIPTION	NO.	HARDWARE LIST	QTY	DESCRIPTION
A		1	SOFA	B	 90mm*90mm*135mmH	4	WOODEN LEGS
				C	 M8*90mm	4	BOLTS
				D	 M5*100*38mm	1	ALLEN KEY
				E	 H135mm	1	PLASTIC MID FEET

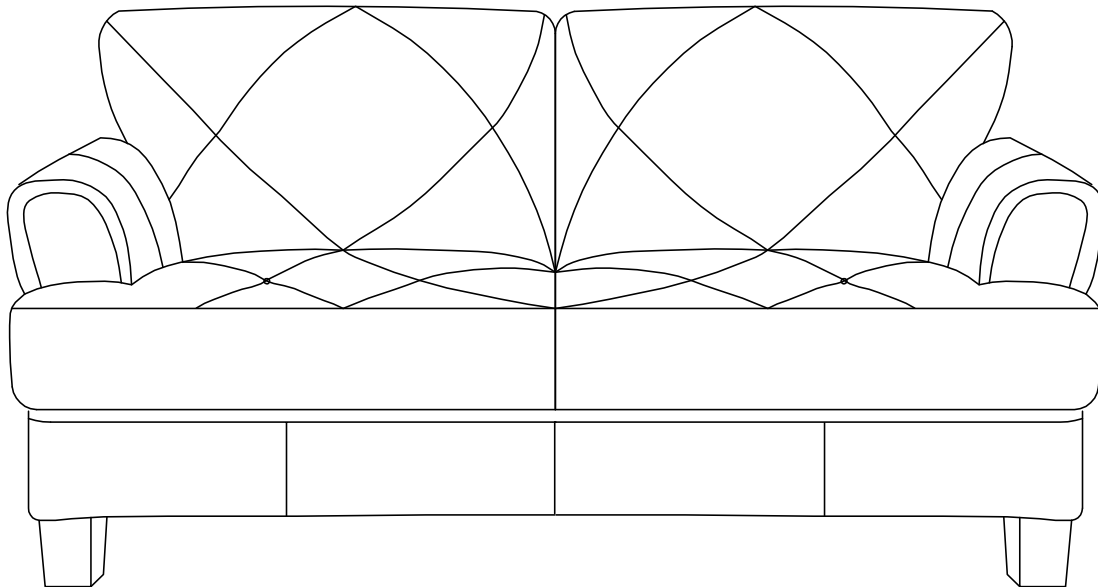
ASSEMBLY INSTRUCTION

SOFA

STEP # 1



STEP # 2



CARE INSTRUCTION FOR LEATHER FURNITURE

In order to maintain the original appearance of your furniture, please follow below care procedures .

°Avoid exposing furniture directly to sunlight or heating and air conditioning outlets. sunlight and/ or exposure to heating and air conditioning outlets will fade/damage leather. Do not place your upholstered furniture too close to windows, radiators, vents and be sure to use window treatments to block the sun's rays

°Wipe with a soft brush to remove dust