

ACT2045 - Lever Deck

Product Finish: Chrome

EAN13 barcode: 5060048383041



Product features:

- Metal construction throughout
- Durable compression valve design
- Custom designed for lower to mid pressures
- Supplied with fixed 1/2" inlets
- Luscious quality chromium plate finish

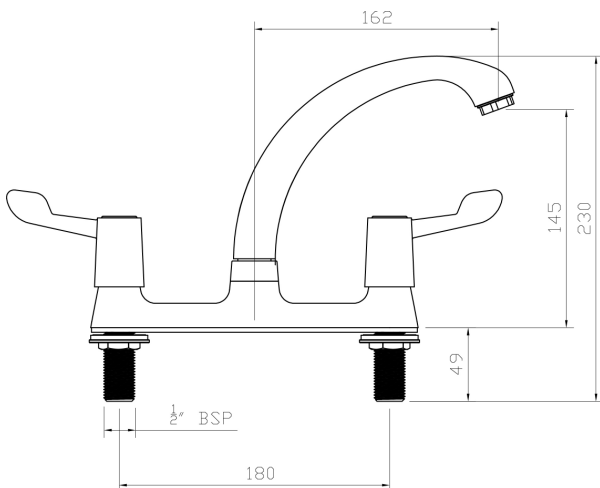
Additional information / Parts included:

2 x 38x3mm black rubber gasket, 2 x 1/2" BSP F 40mm diameter 24mm a/f brass fixing back nuts, 1 x black foam seal 217x37mm

Primary WRAS fittings number (see www.wras.co.uk):

1907368

Product dimensions:



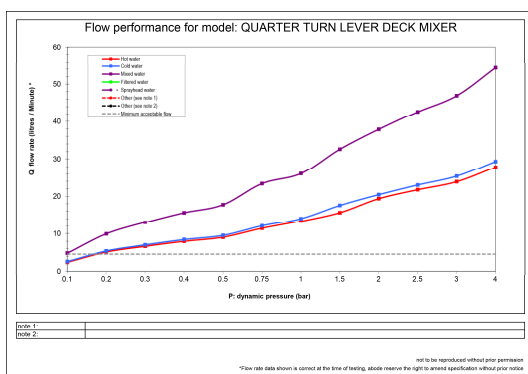
- Overall Height / projection: 181 mm
- Exit reach: 162 mm
- Exit height: 145 mm
- Centre distance(s): 180
- Base diameter(s): 217 x 38mm
- Recommended hole diameter: \varnothing 30-32 mm
- Max. surface depth: 25 mm
- Spout diameter: 28 mm
- Spout aerator size: M24 x 1

Packaged properties:

Box length: 365 mm
Box width: 240 mm
Tap only weight: 1.23 kg

Box depth: 50 mm
Units per outer: 8
Boxed weight: 1.39 kg

Product flow characteristics:



- Min / Max water pressure: 0.10 / 5.5 bar
- Recommended / Max water temperature: 46°C / 70°C
- Part G - Mixed flow rate at 3 bar (litres / min): 46.89

- Control valve type: 1/2" ceramic disc, quarter turn operation
- Flow characteristics: Dual flow (H/C)
- Non return valve(s): None

- Aerator type: Flow Straightener
- Spout connection method: Locking Collar

- Tail pipe inlet / outlet size: n/a / 1/2" BSP Male/ 15mm ID
- Inlet pipe type / length: Fixed threaded inlets / 49 mm

Care instructions summary:

- Clean the mixers and showers regularly as required, using soap, do not use any other cleaners.
- Regular cleaning will prevent the build up of lime scale and dirt
- After cleaning rinse thoroughly with clean water to remove any cleaner residue
- Residues of sink & worktop cleaners can also cause damage, so rinse with clean water after using, avoid contact with any abrasives

Warranty Summary (Full details available on request):

- Materials and workmanship defects warranted for 5 years
- Valves and working parts warranted for 5 years
- Surface warranty defects warranted for 1 year
- O-rings, hoses & gaskets warranted for 1 year