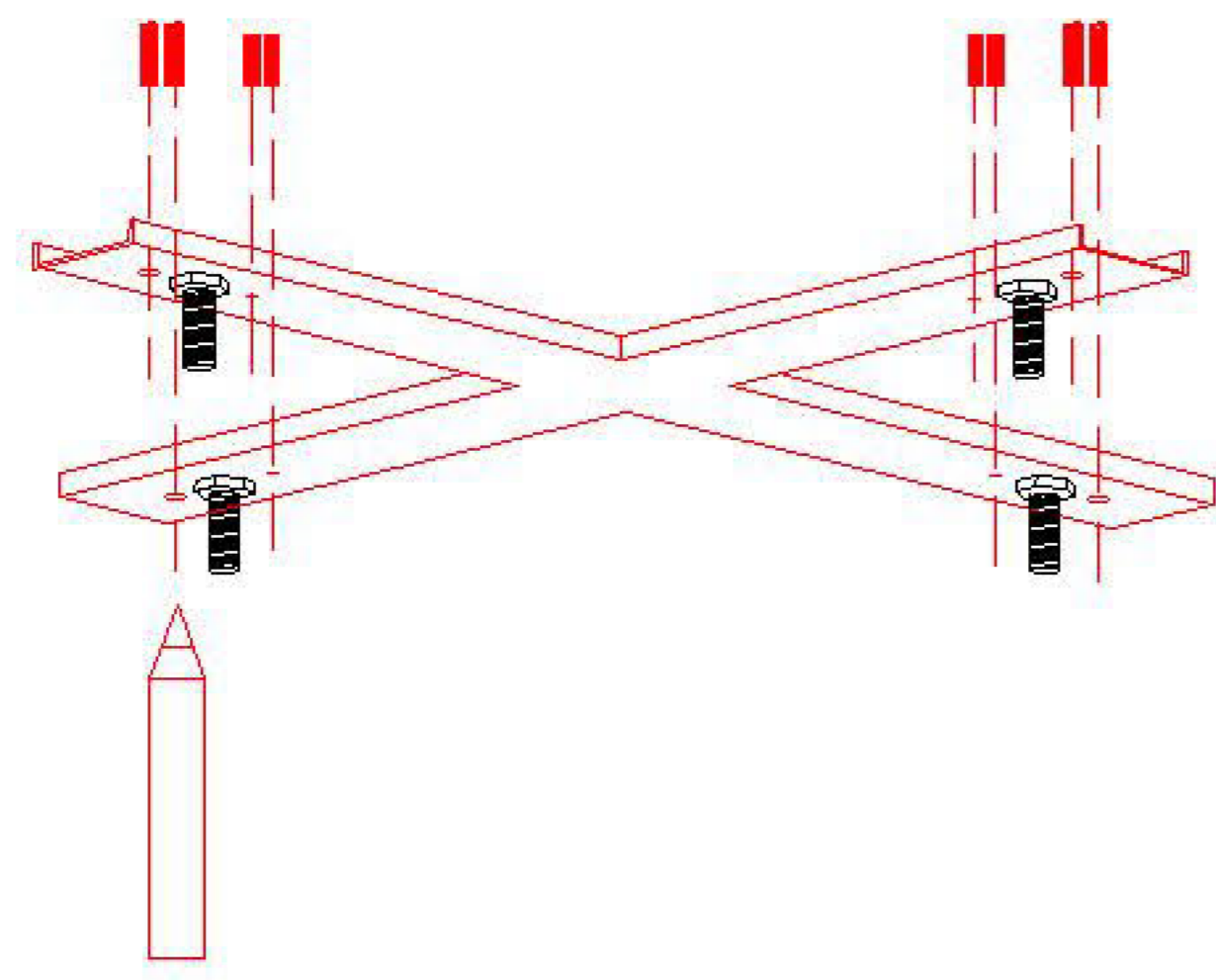
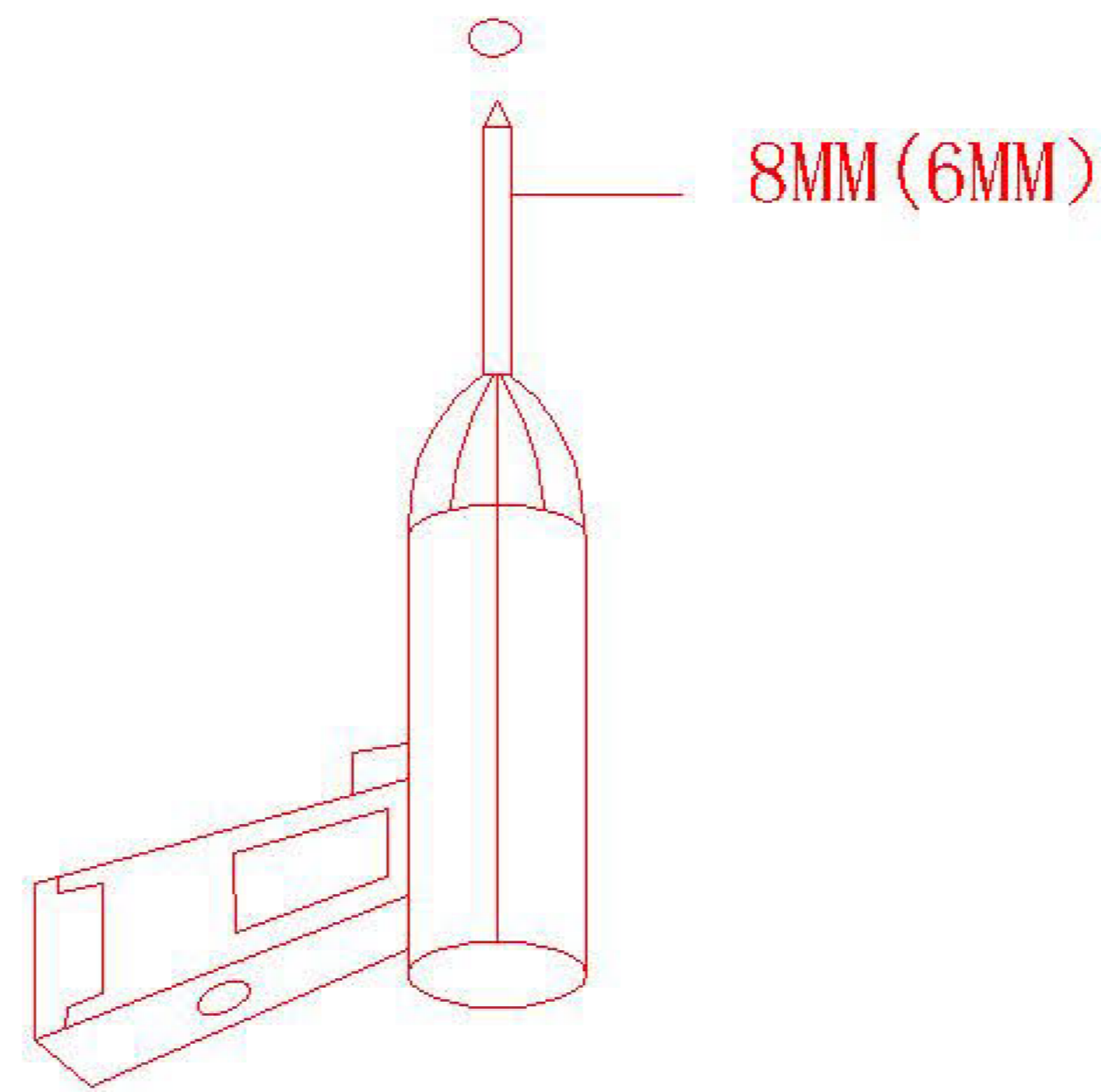


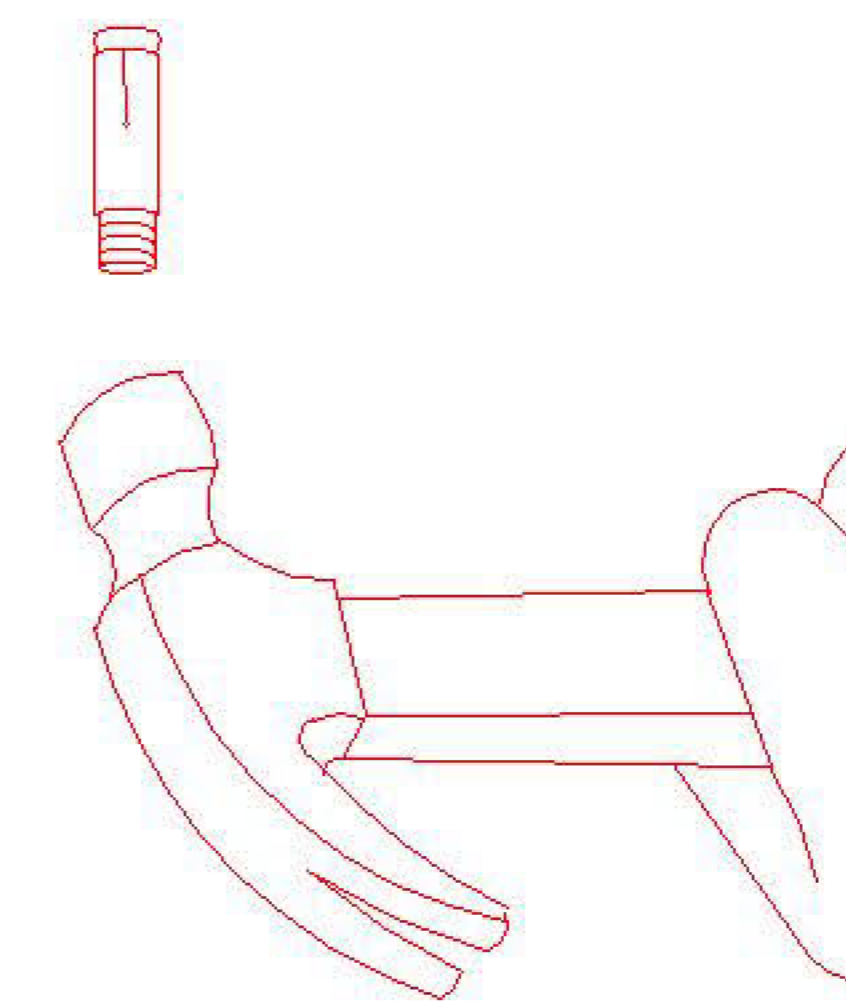
# Easy installation instructions for lamps and lanterns



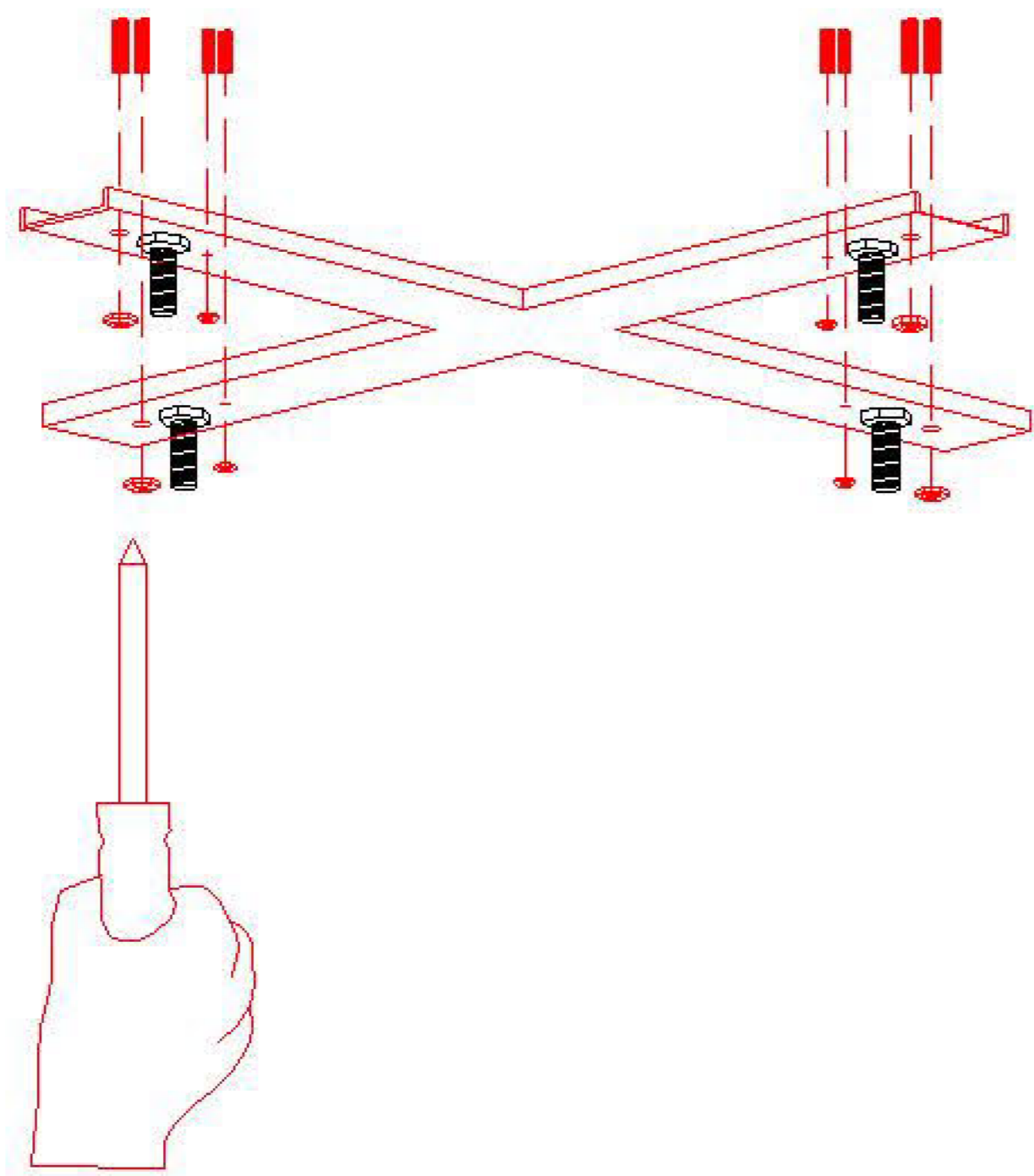
1. Mark with a pen



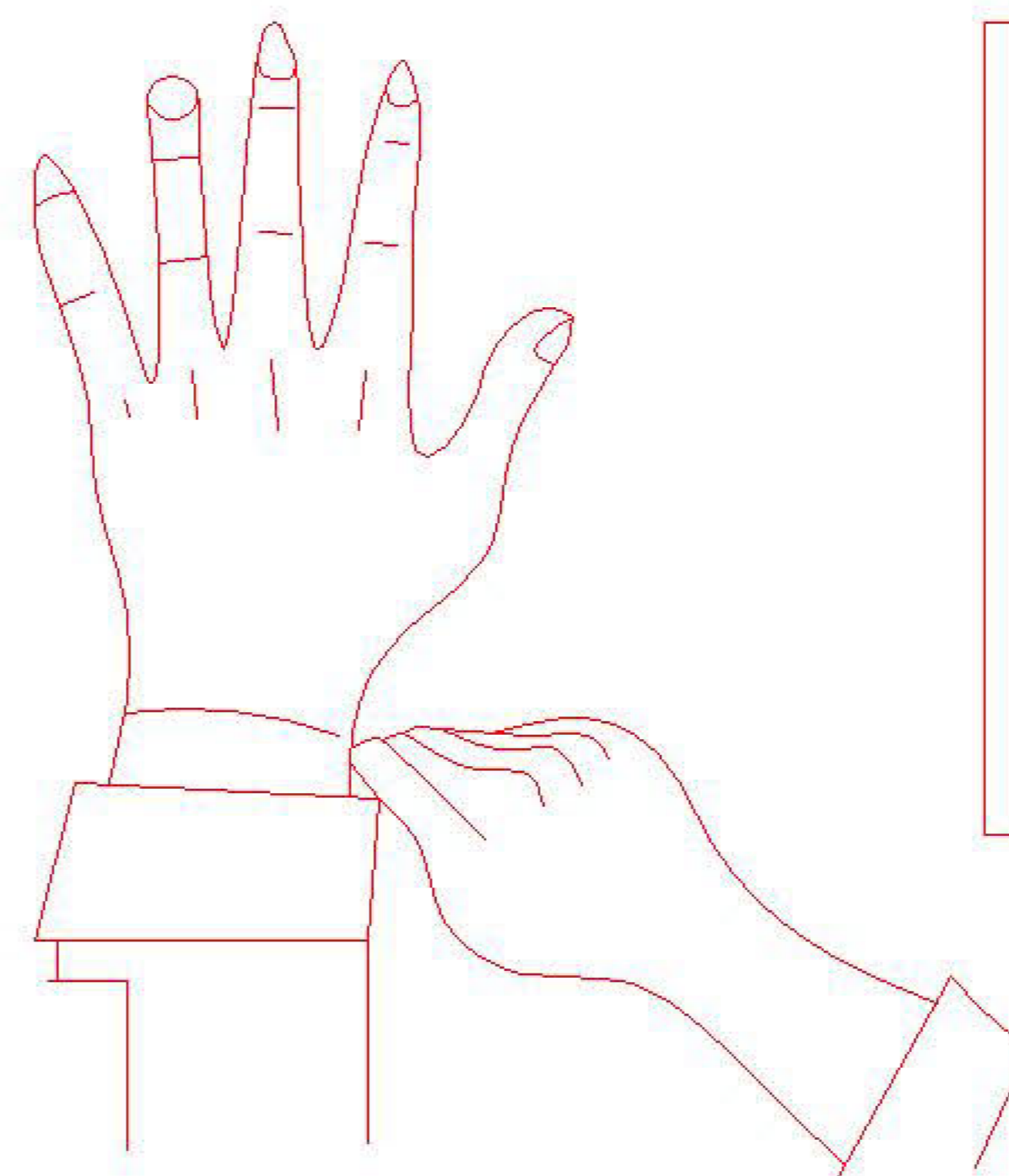
2. Drill



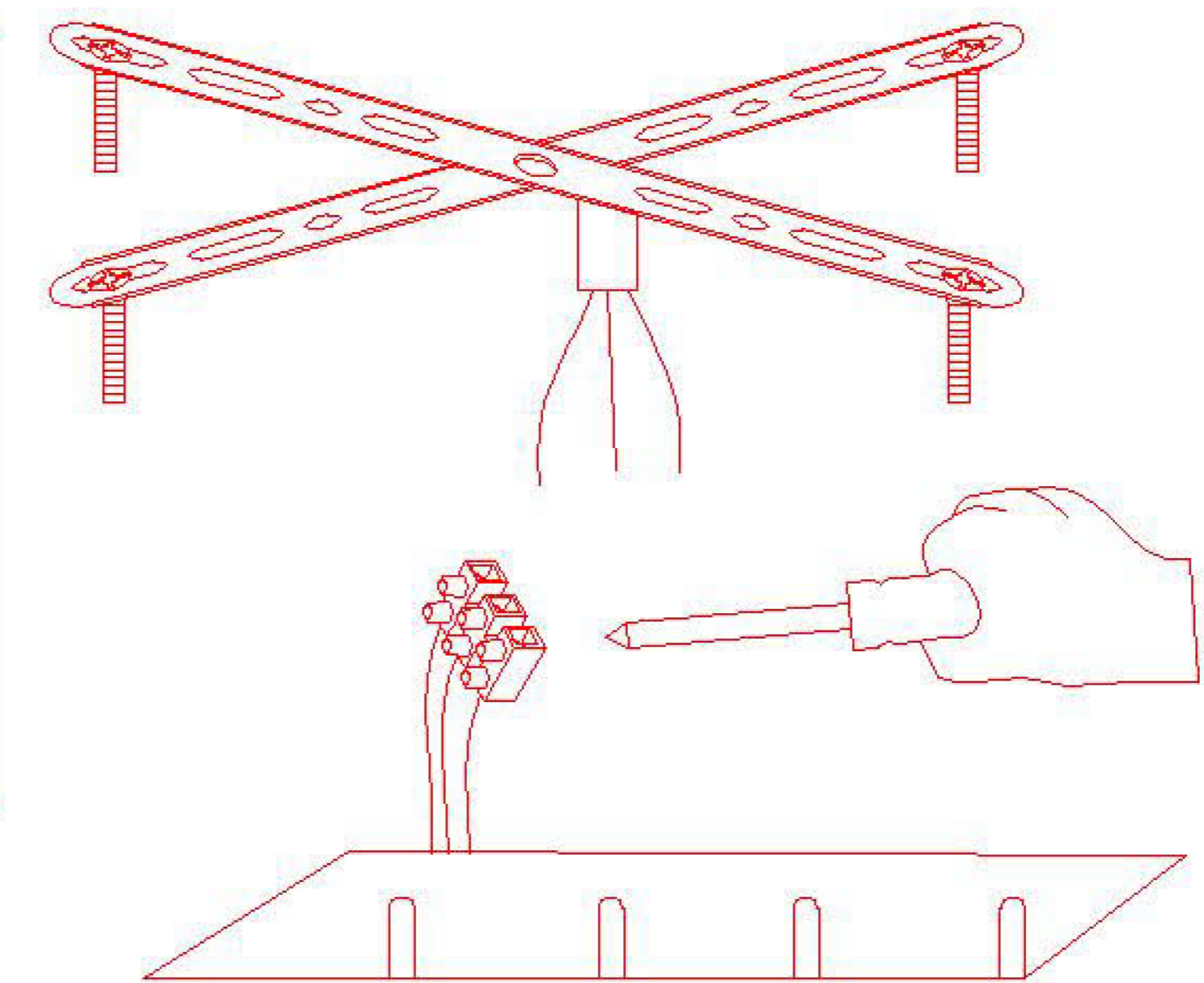
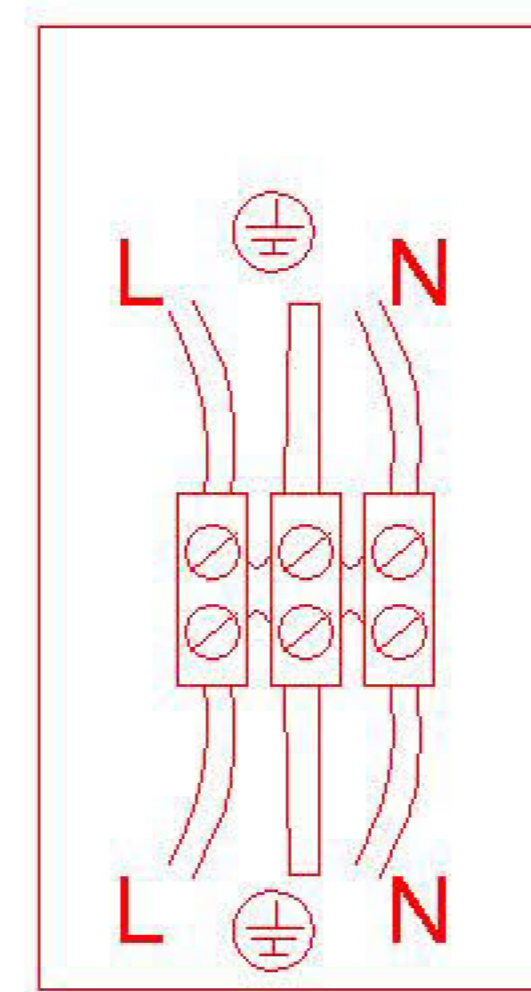
3. Blast Bolts (or expansion glue) into the ceiling



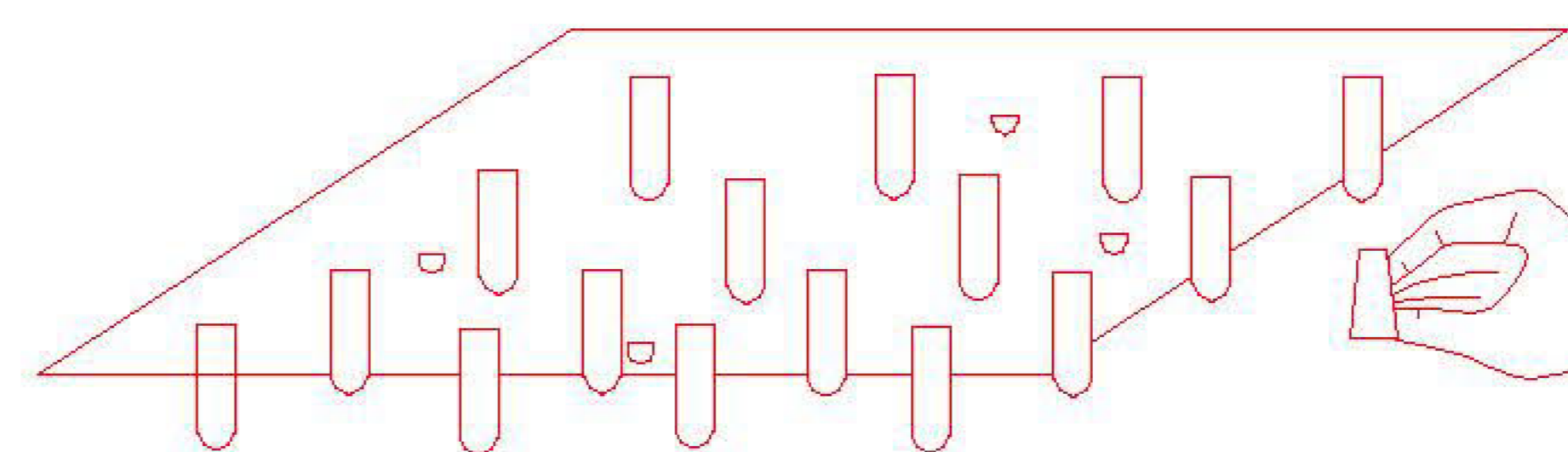
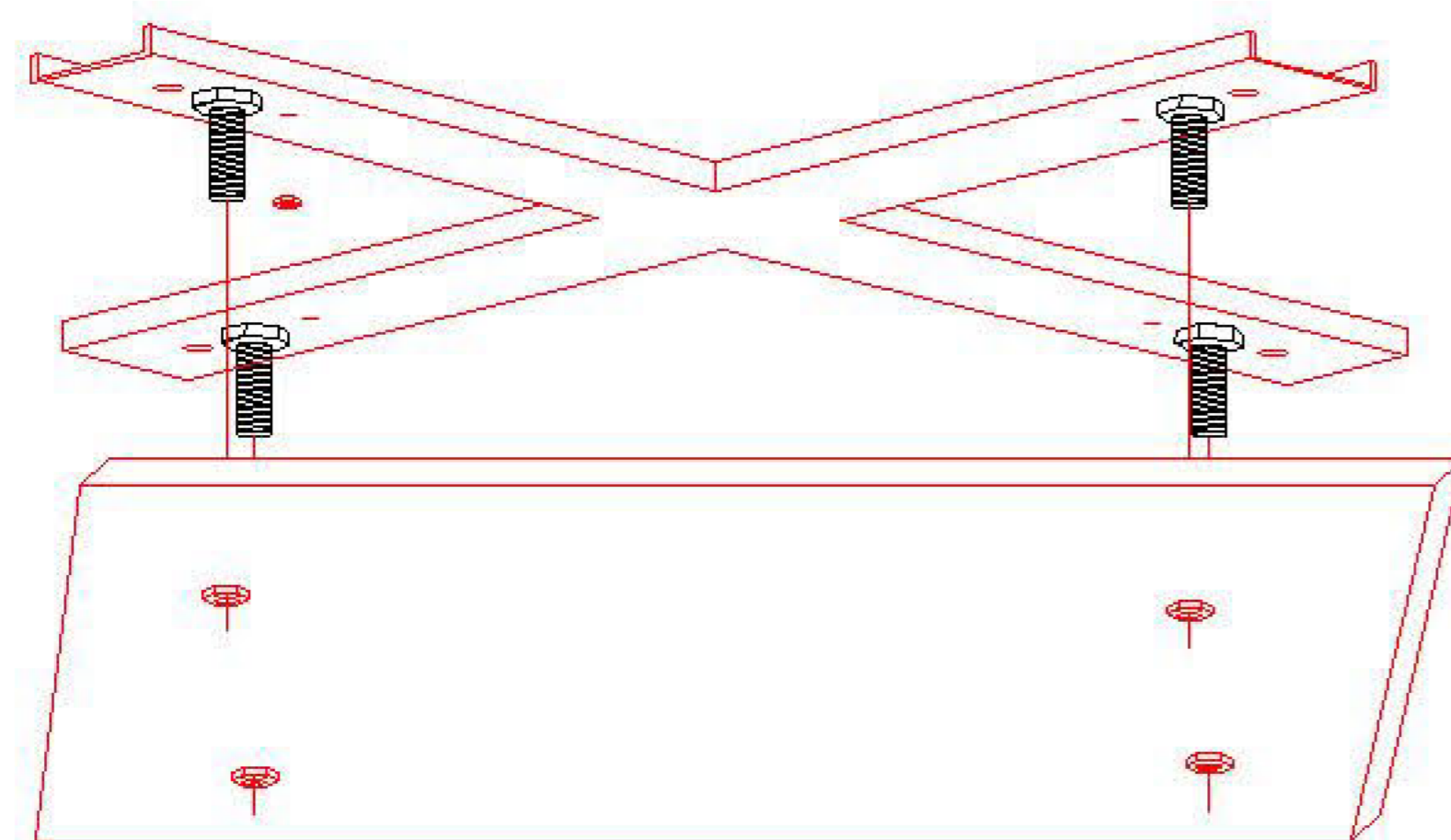
4. Mounting bracket for fixing lamp



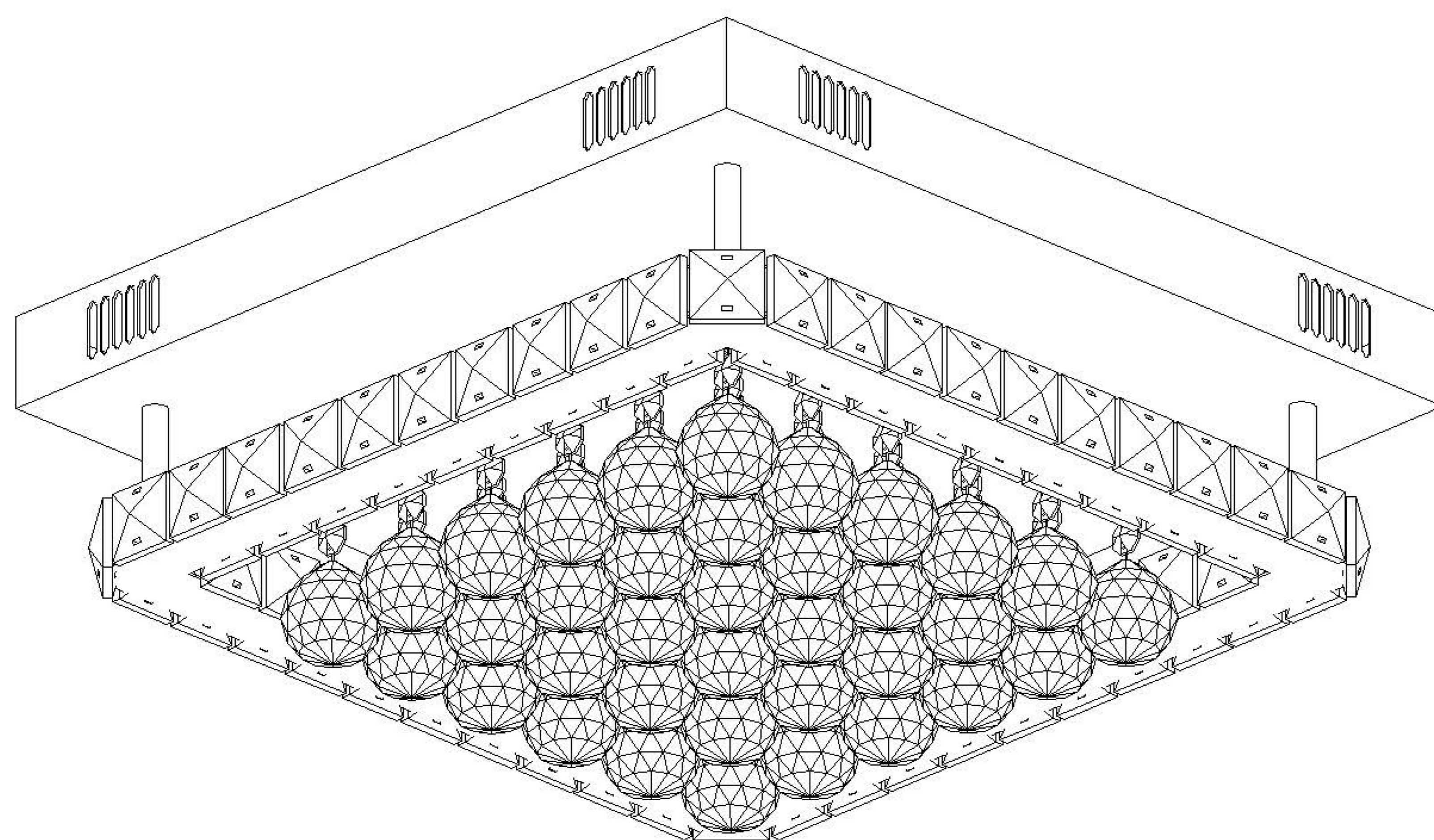
5. Wear gloves  
(to keep the lamps clean and prevent injuries)



6. Connect the zero wire and the fire wire, test the electricity, make sure the lamp works normally (don't need to distinguish the zero wire and the fire wire, the middle ground wire)



7. Fix the hole of the lamp and screw on the nut, the lamp is installed

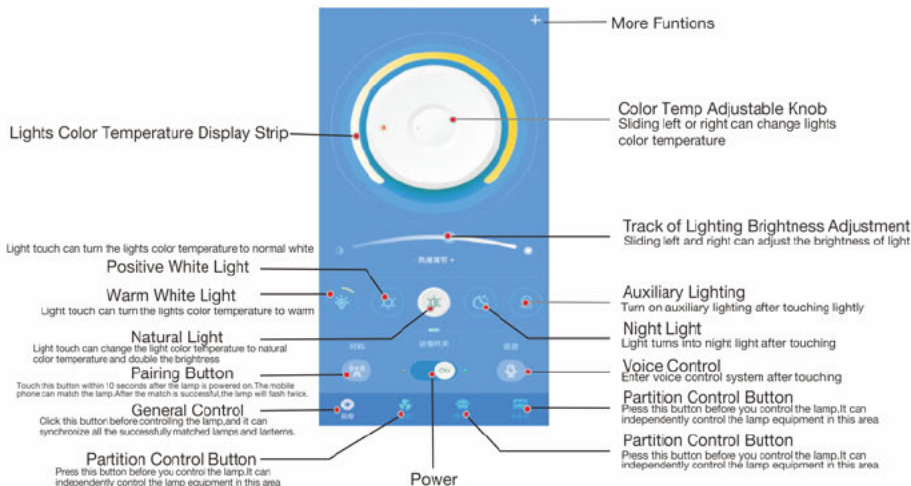


8. Hang the crystal ball fitting

Dear customers, thank you for choosing our products. In order to ensure your safe and convenient installation and use of this product, please strictly in accordance with this manual operation

1. Suggest to ask professional electrician to install
2. Please tear the protective film before installing the lamp.
3. After removing the mounting bracket of the luminaire, position the hole and tighten the nut on the bracket (this is very important)
4. After turning on the light, do not touch the light source to avoid injury. Do not use this luminaire in the bathroom or in a humid environment

# Functional Instructions



## APP and Lamp Pairing Methods

1. iPhone or Android/Huawei can be downloaded and installed automatically by scanning the QR code on the instructions.
2. iPhone can be downloaded directly by accessing APP STORE and searching Smart Light Control.
3. Android phones can be downloaded directly by entering the application market to search for Smart Light Control.
4. Huawei Mobile Phone can be downloaded directly by accessing App Treasure and searching Intelligent Light Control.



Press this button once in 10 seconds after the lamp has been powered on

After the lamp is electrified, press the SETUP key (code key) on the remote control quickly in 10 seconds. This light flashes indicate the code is successful. Otherwise, turn off the total power supply of the lamp, and then re-operate this step until the light flashes and the alignment is successful.

**Code matrix**



Long press or click this button, brightness will increase



Long press or click this button, brightness will reduce



Long press this button, the color temperature increases, and the light color turns white.



Long press this button, the color temperature drops, and the light color turns warm.



Press this button, the lamp turns into warm light (3300K)



Press this button, the lamp turns into white light (5000K)



Click this button to switch the color temperature between white light, warm light and neutral light.



Press this button to switch the lamp between full power and half power, and the color temperature of the lamp is neutral light.