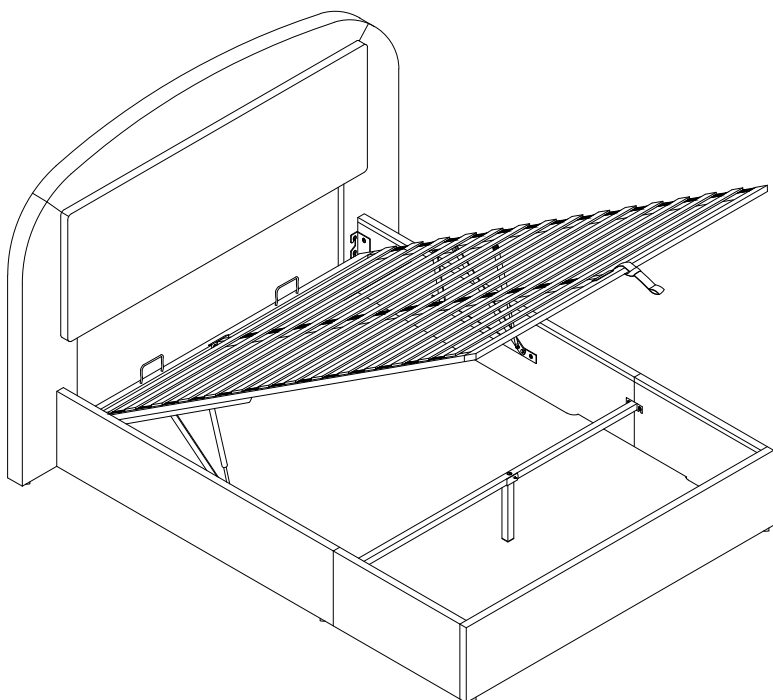


ASSEMBLY INSTRUCTION



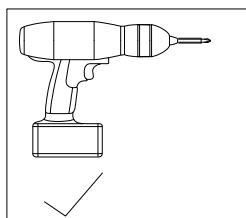
Please **TEAR OFF** this shrink film from side!
DO NOT USE CUTTER!

IMPORTANT NOTE

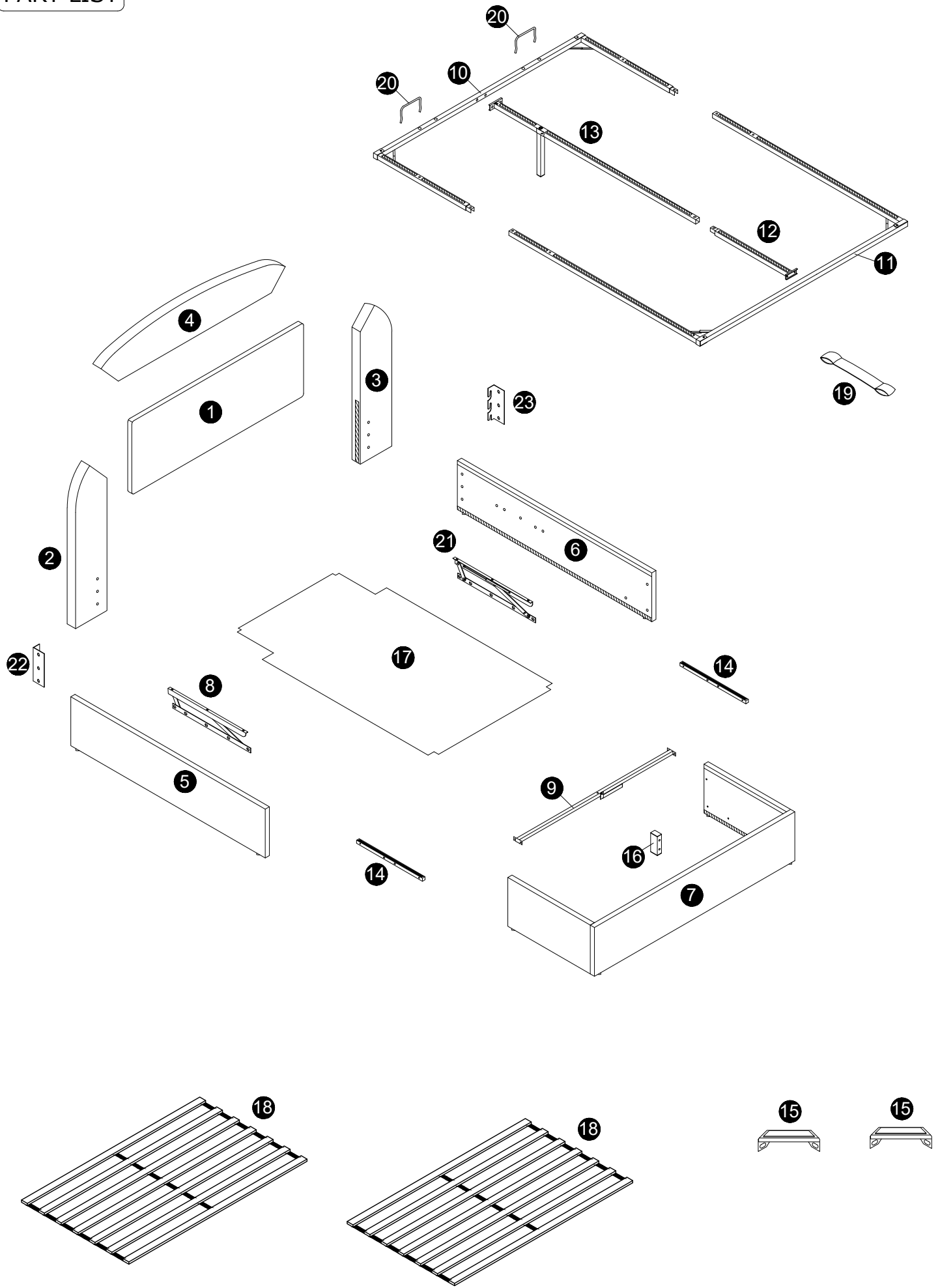
1. For the protection of your furniture, place all parts on a clean and smooth surface to prevent any damage.
2. Keep fittings out of children's reach and keep children well away from construction area.
3. When moving your assembled bed, it is best to lift the bed and never to drag it.
4. Do not use this product if parts are missing, damaged or worn.
5. This product should only be used on firm, level ground.
6. Please periodically check all fittings and re-tighten as necessary.
7. Do not use the bed unless all bolts and screws are firmly secured.
8. For further assistance, please provide a screenshot of your order and contact us via email at



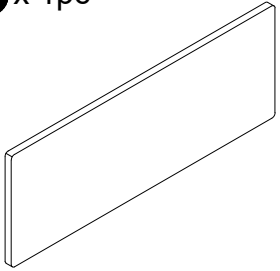


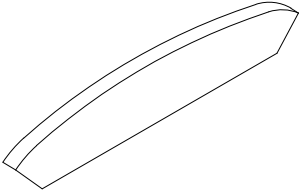
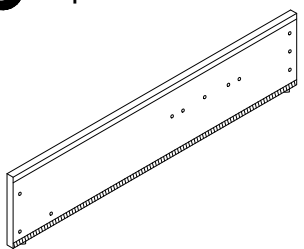
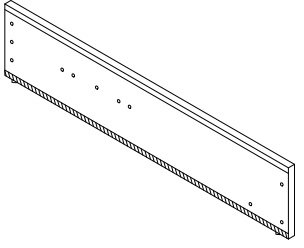
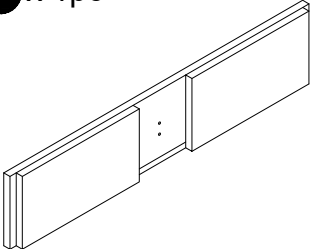
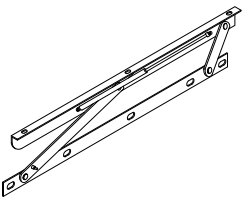
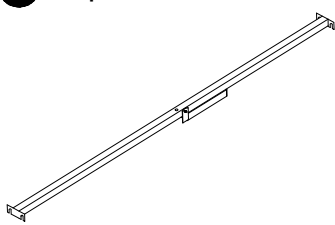
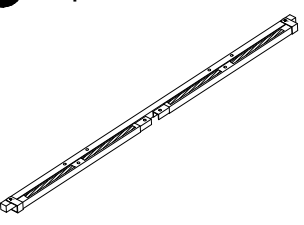
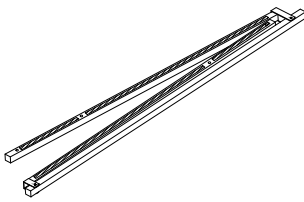
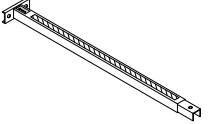
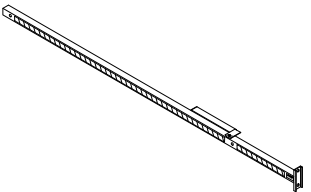
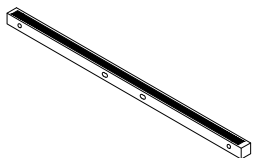
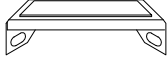

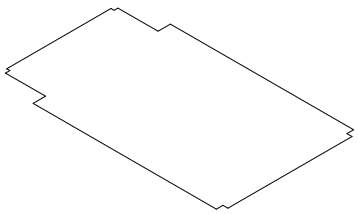
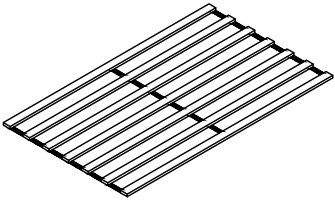
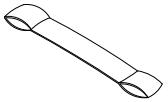
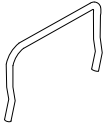
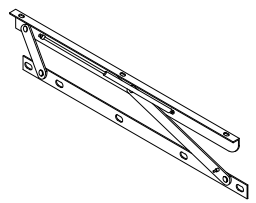


Minimum two
person assembly



PART LIST


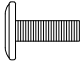



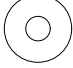

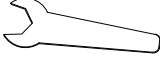



PART LIST

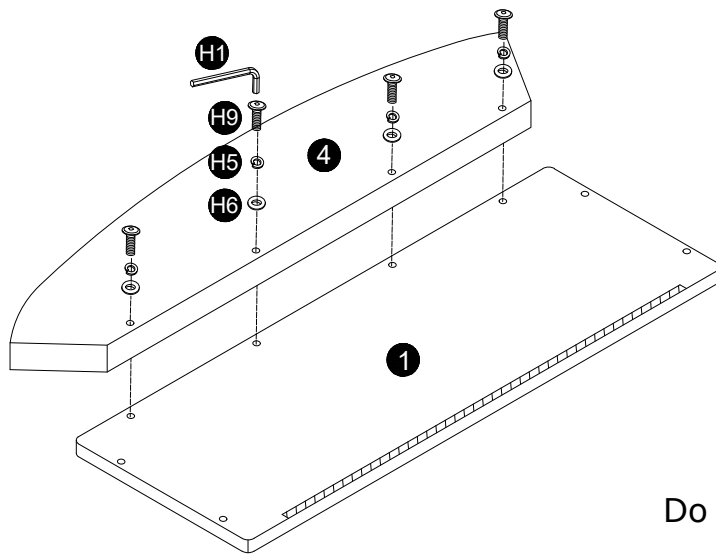
<p>1 x 1pc</p> 	<p>2 x 1pc</p> 	<p>3 x 1pc</p> 	<p>4 x 1pc</p> 
<p>5 x 1pc</p> 	<p>6 x 1pc</p> 	<p>7 x 1pc</p> 	<p>8 x 1pc</p> 
<p>9 x 1pc</p> 	<p>10 x 1pc</p> 	<p>11 x 1pc</p> 	<p>12 x 1pc</p> 
<p>13 x 1pc</p> 	<p>14 x 2pcs</p> 	<p>15 x 2pcs</p> 	<p>16 x 1pc</p> 
<p>17 x 1pc</p> 	<p>18 x 2pcs</p> 	<p>19 x 1pc</p> 	<p>20 x 2pcs</p> 
<p>21 x 1pc</p> 	<p>22 x 1pc</p> 	<p>23 x 1pc</p> 	

Please ensure to thoroughly inspect the small inner cardboard box containing the hardware, which are tied with a red string, before disposing of the box.

HARDWARE LIST

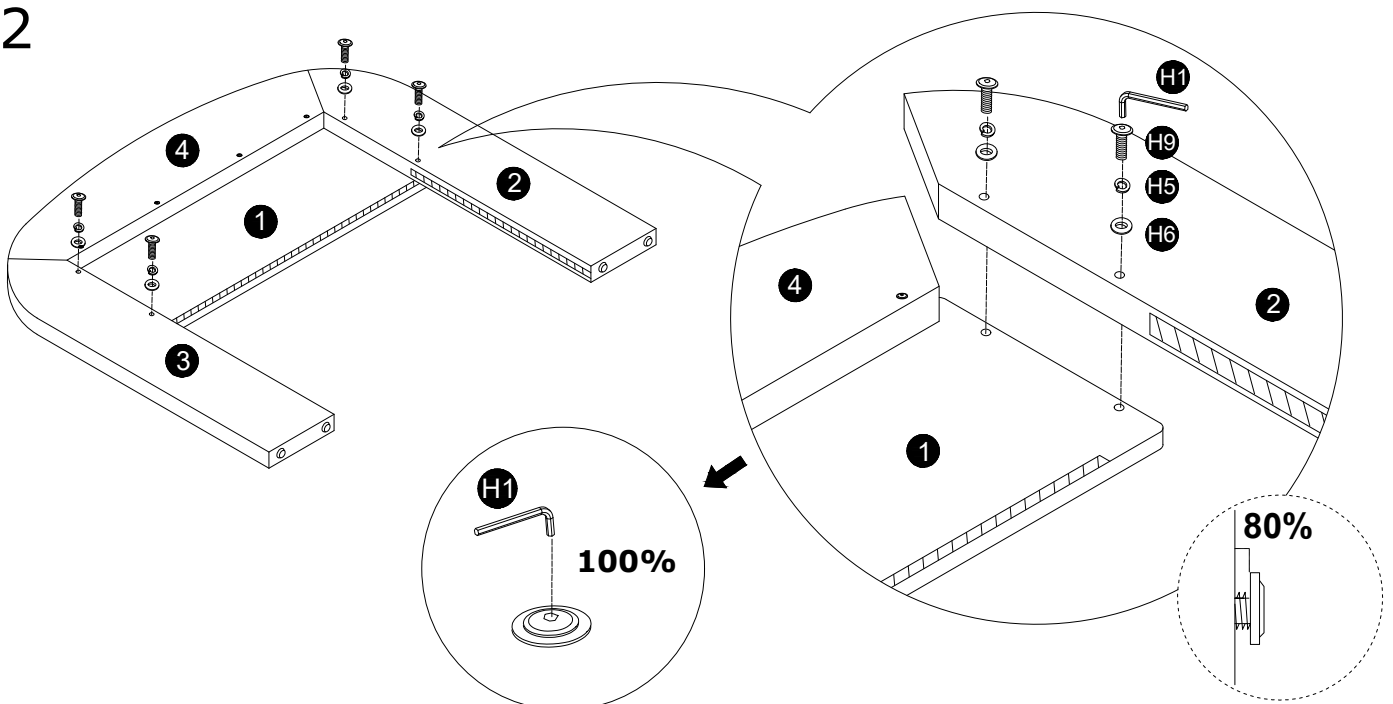
 H1 M5 x 1pc	 H2 M8x25mm x 35pcs	 H3 M8x35mm x8pcs	 H4 M8x60mm x 2pcs
 H5 M8 x 8pcs	 H6 M8x22mm x 8pcs	 H7 M8 x 6pcs	 H8 M14 x 1pc
 H9 M8x50mm x 16pcs			

1



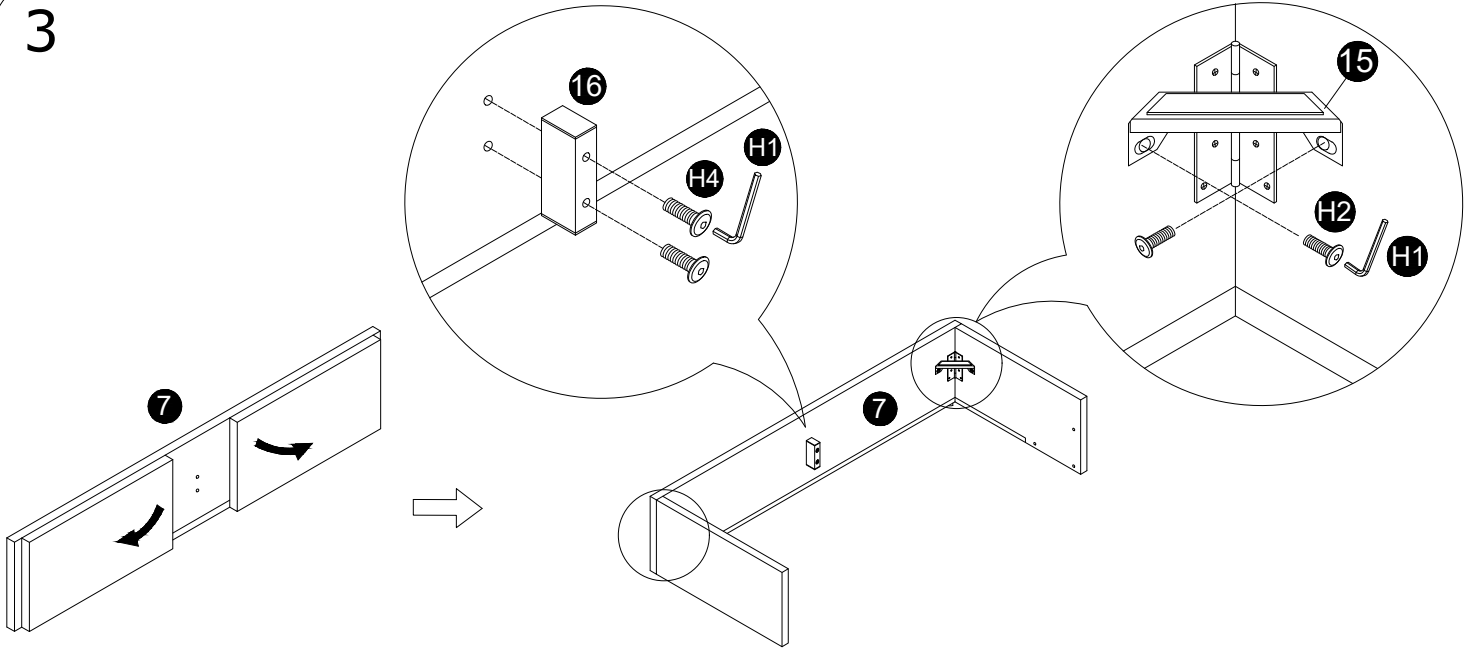
Do not fully tighten fixings!

2

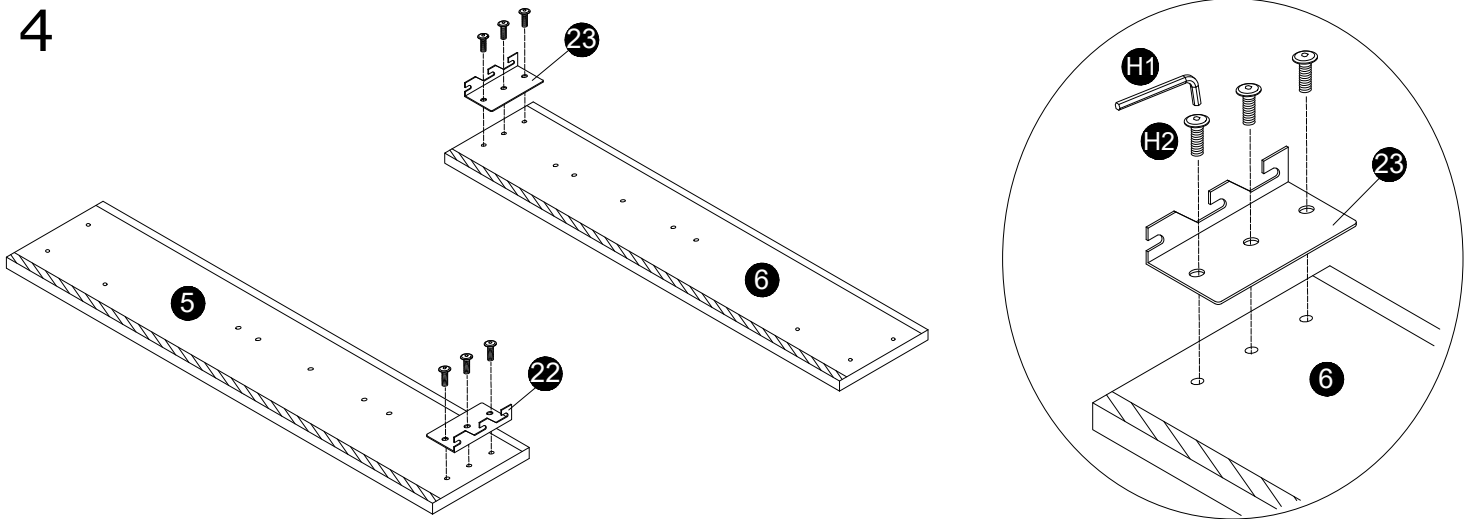


Tighten step 1 and step 2 all fixings.

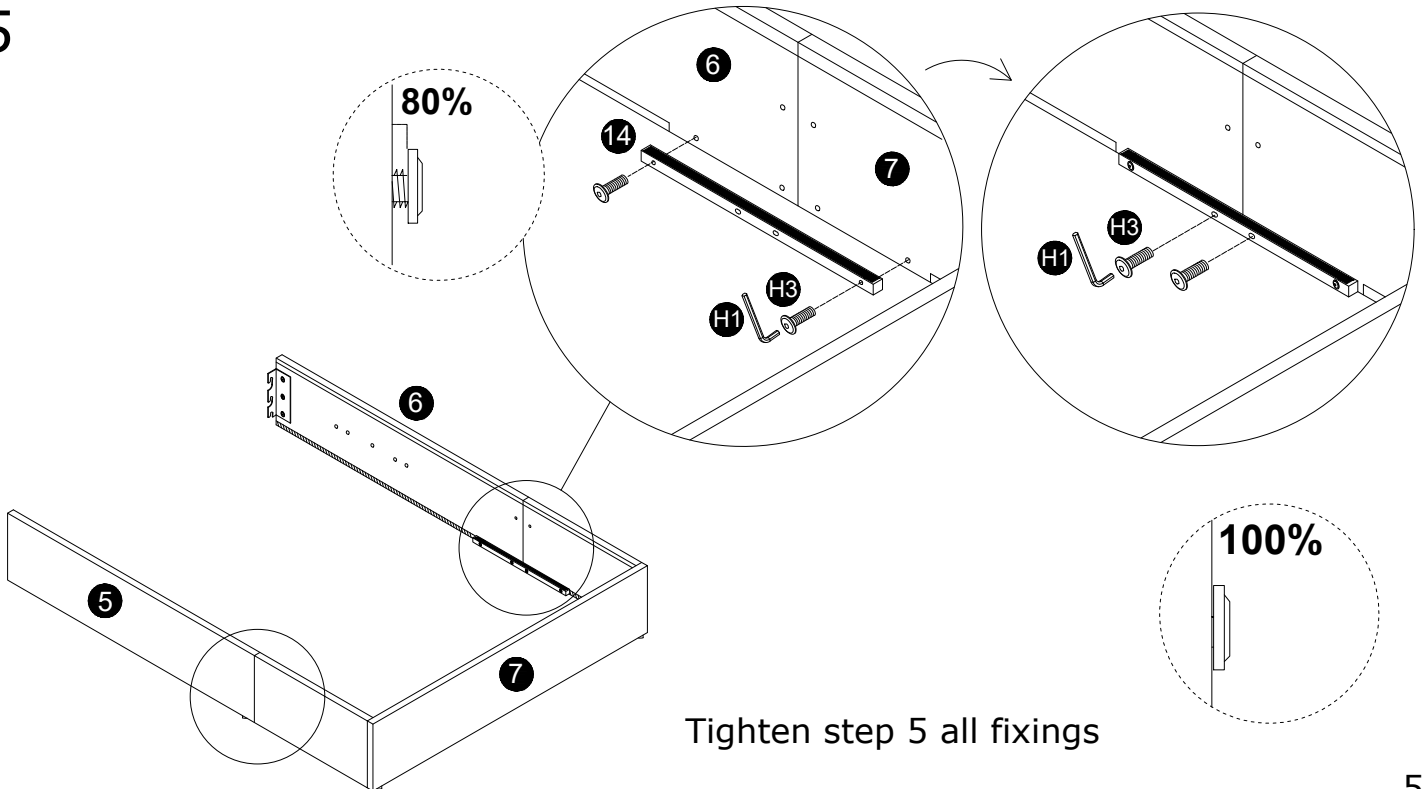
3



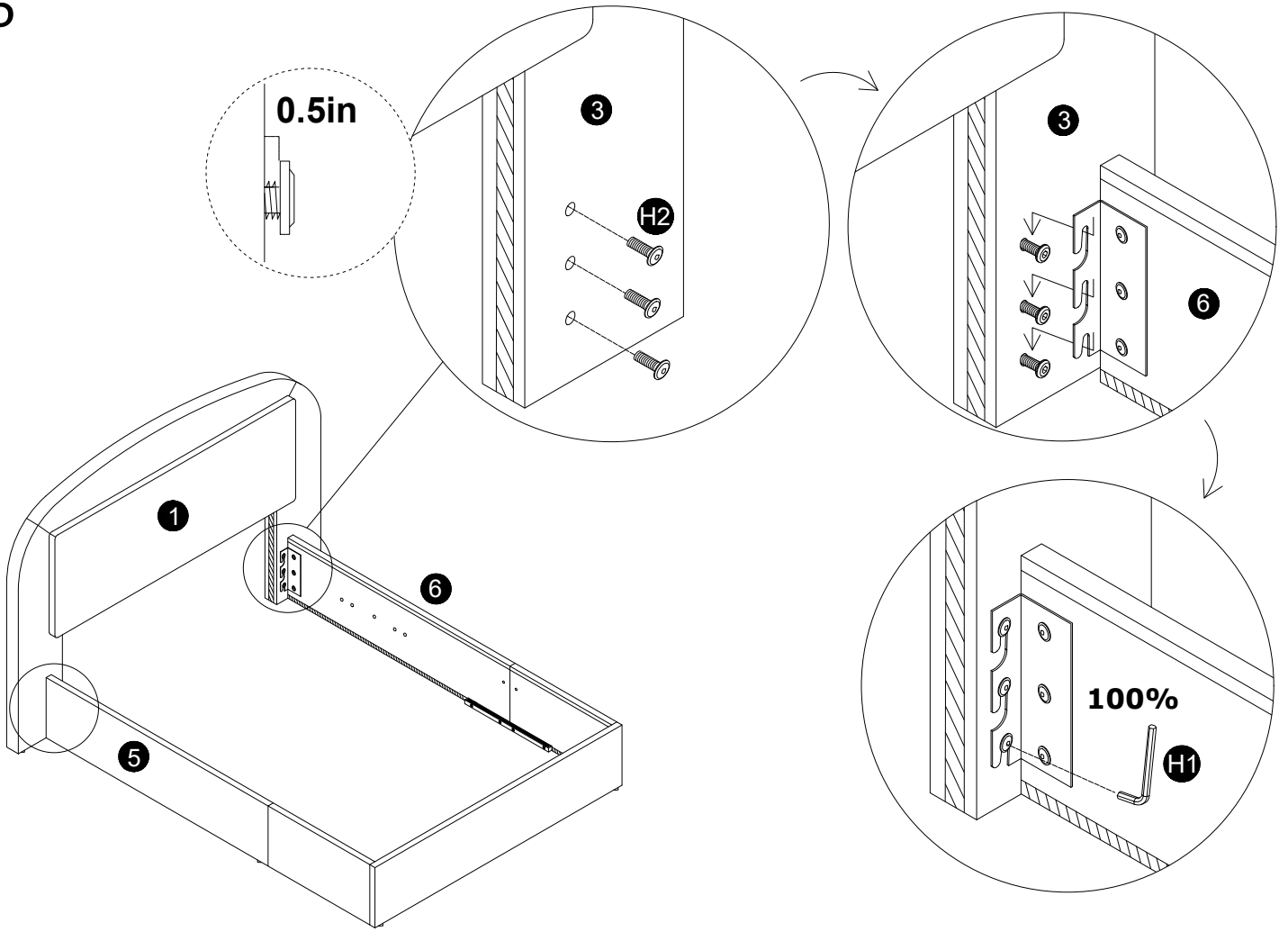
4



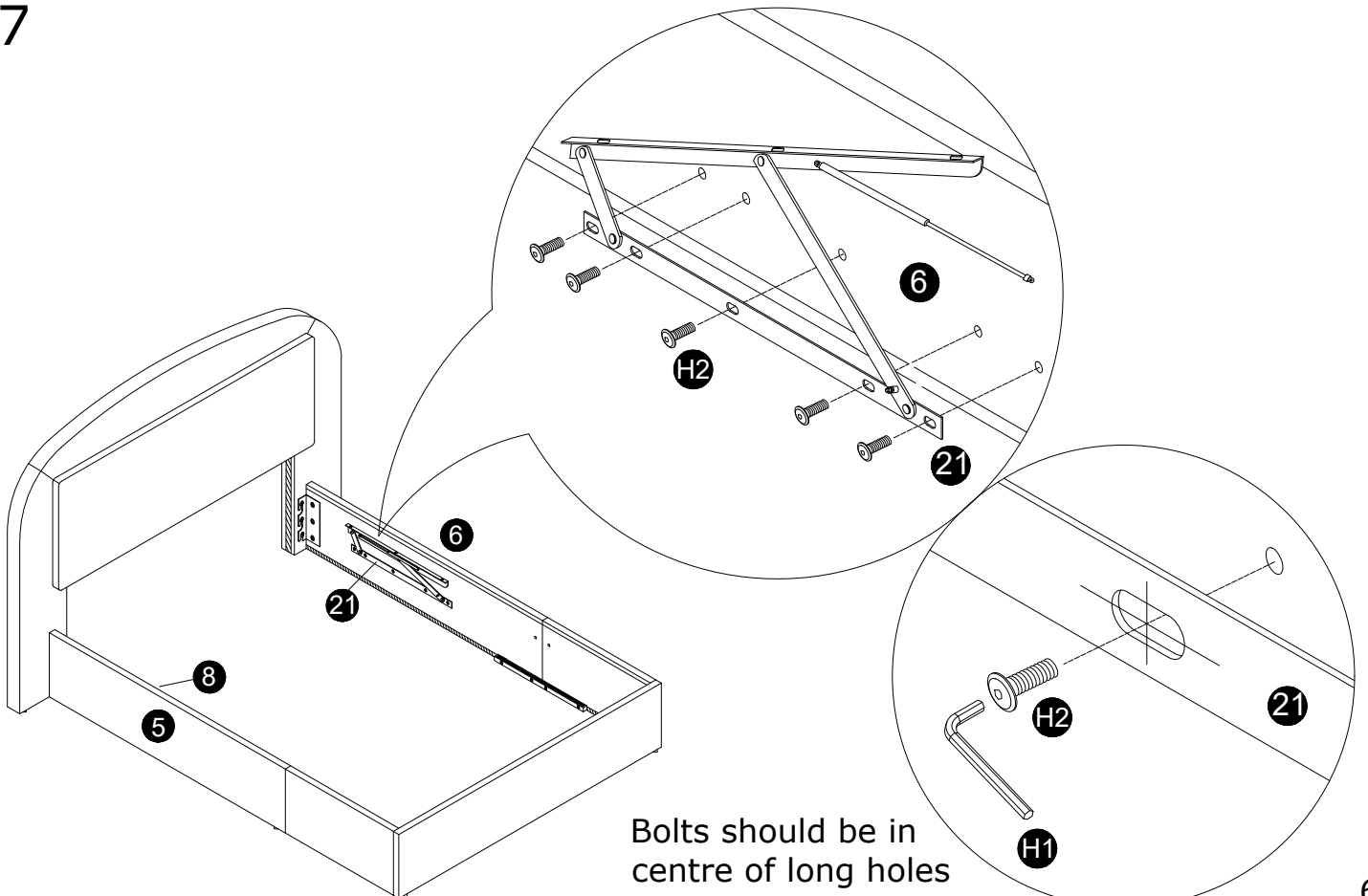
5



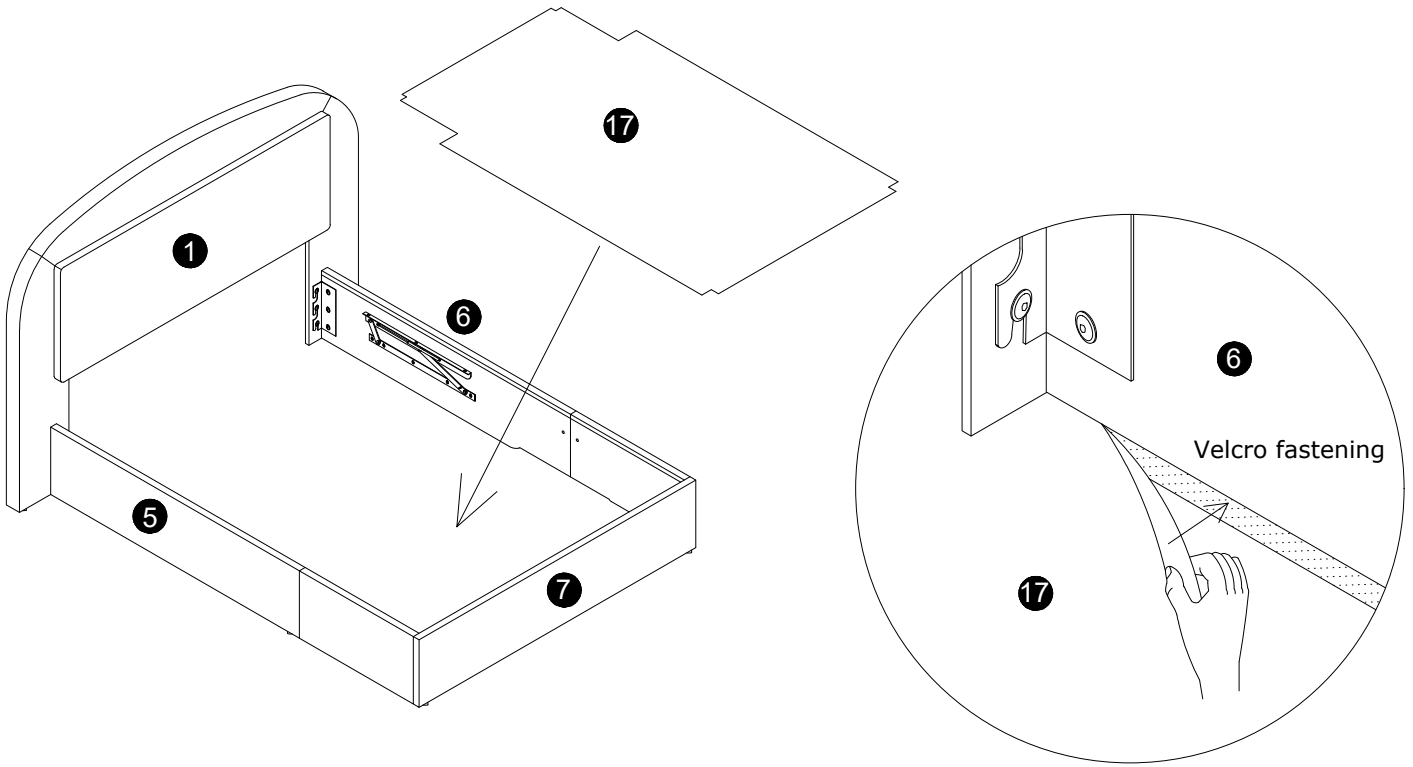
6



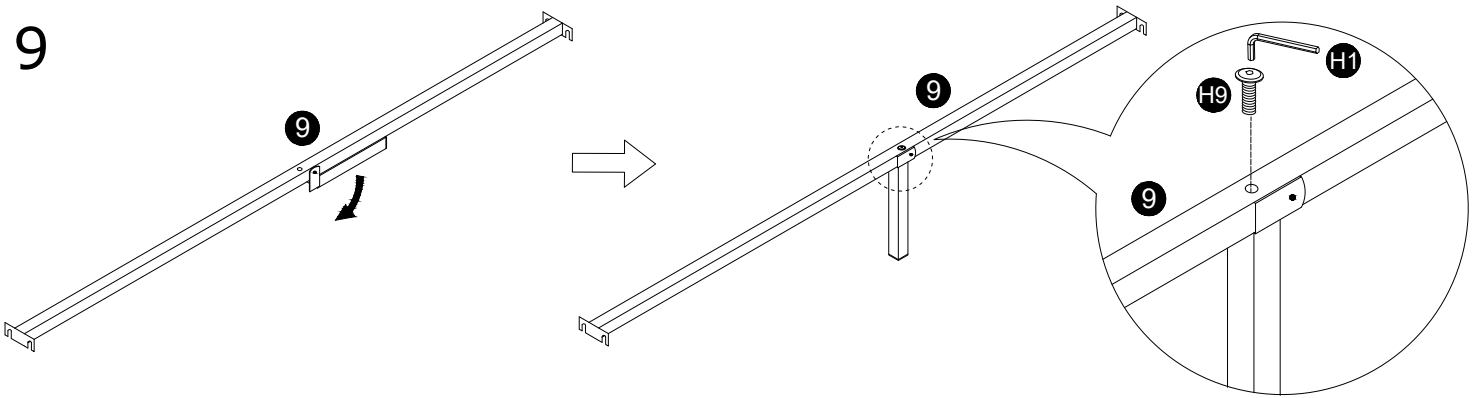
7



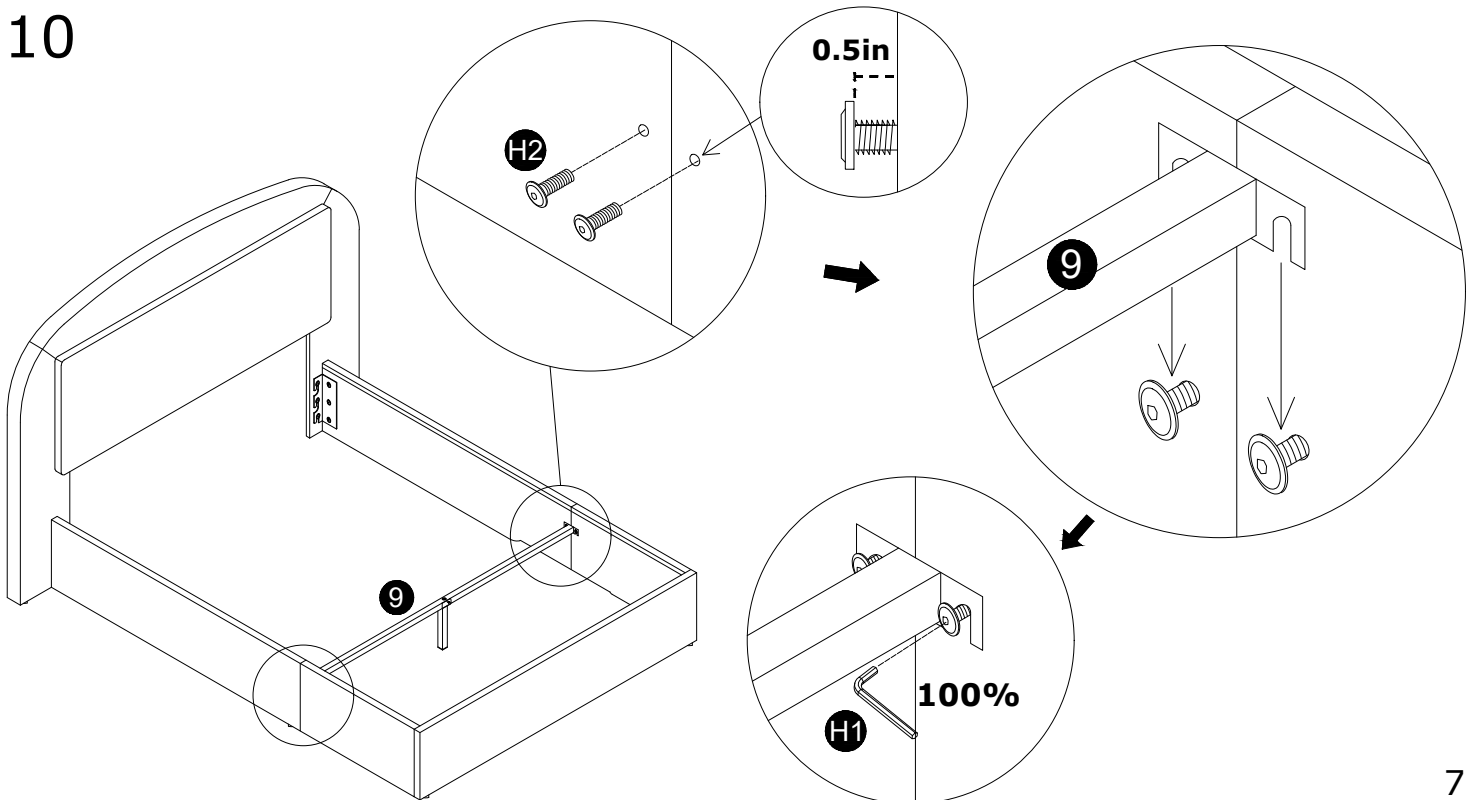
8



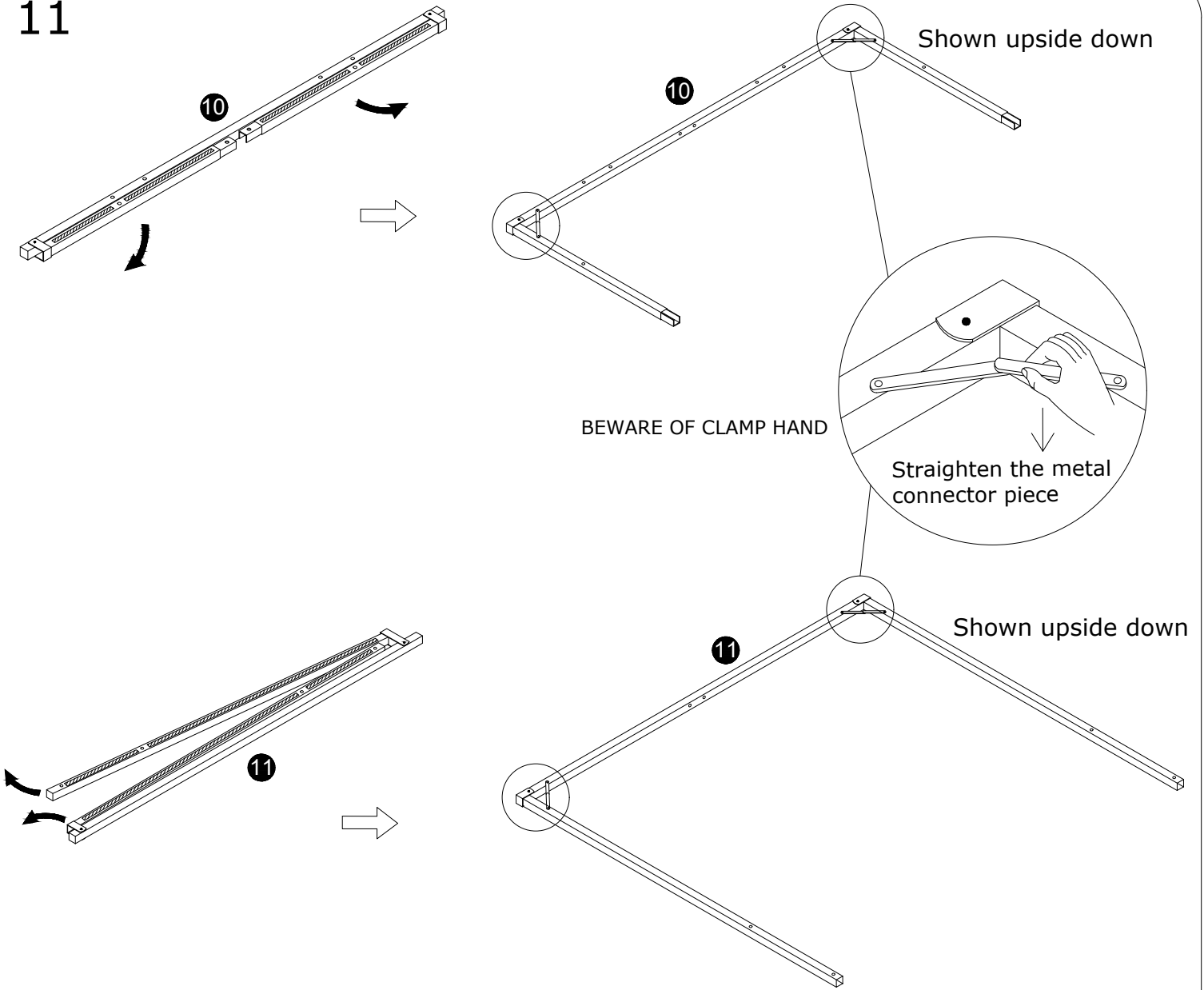
9



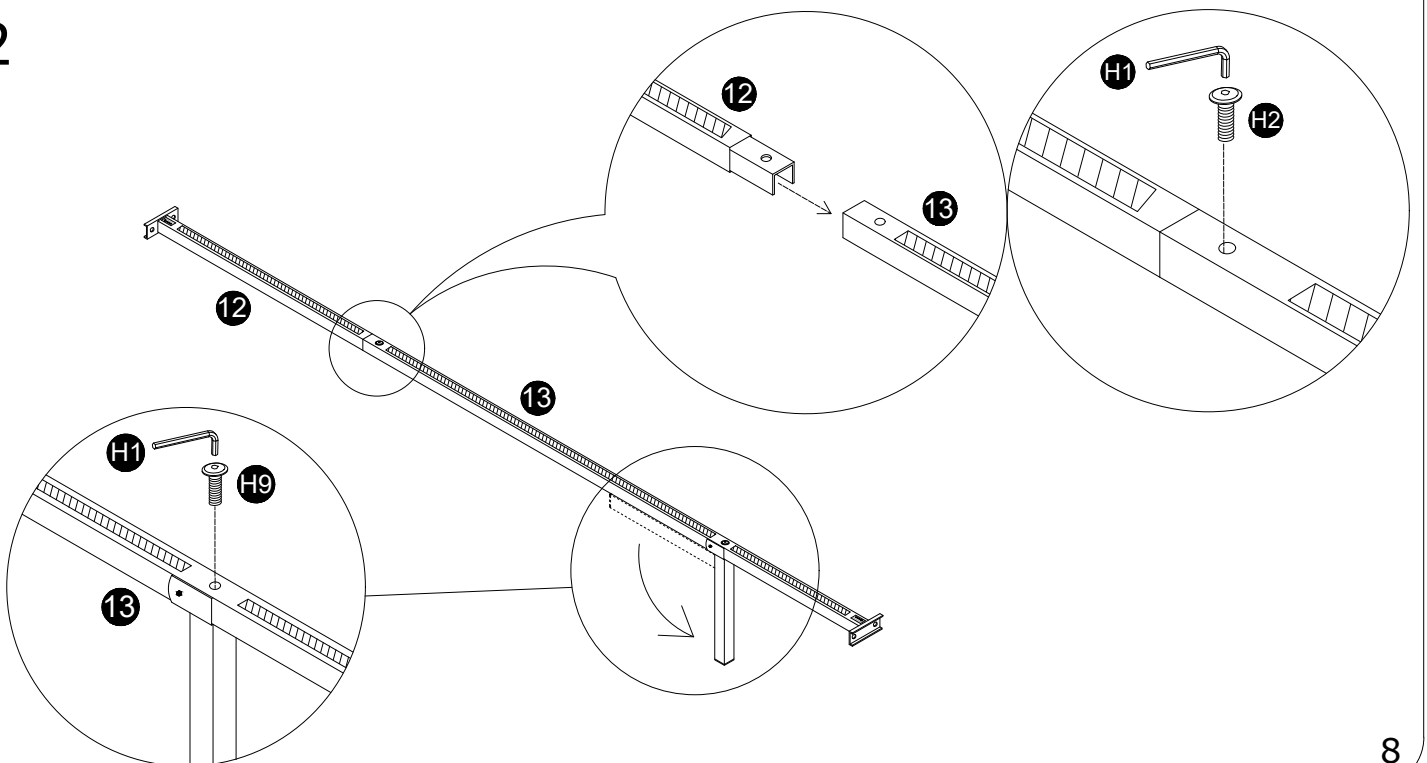
10



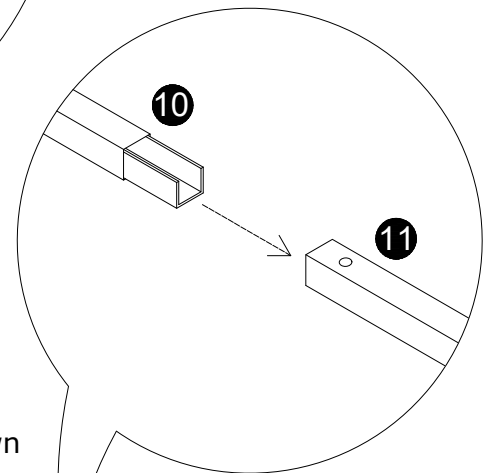
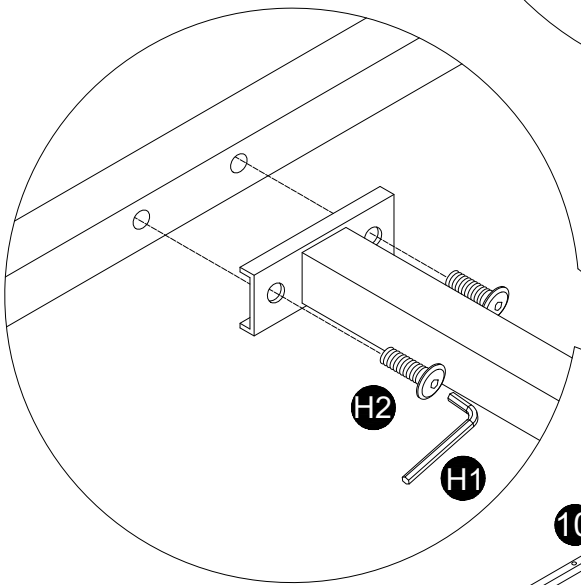
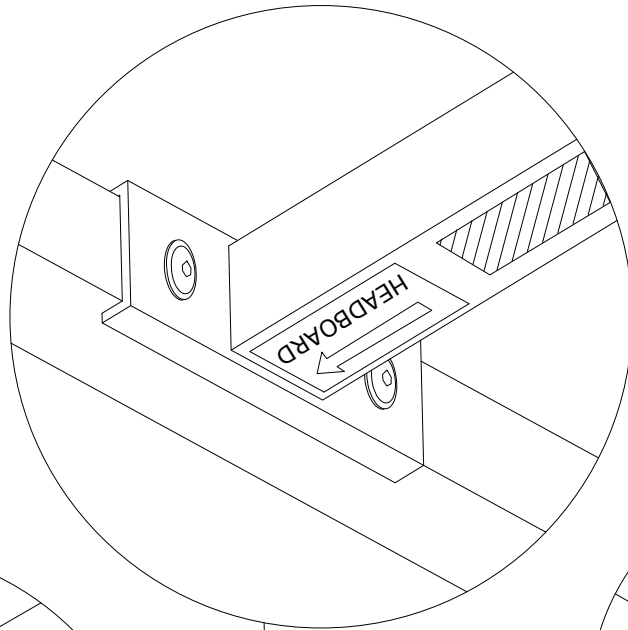
11



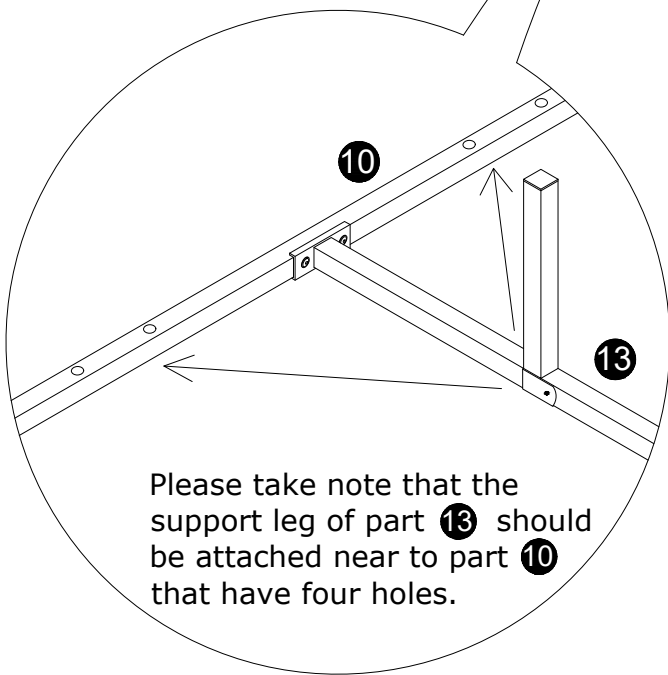
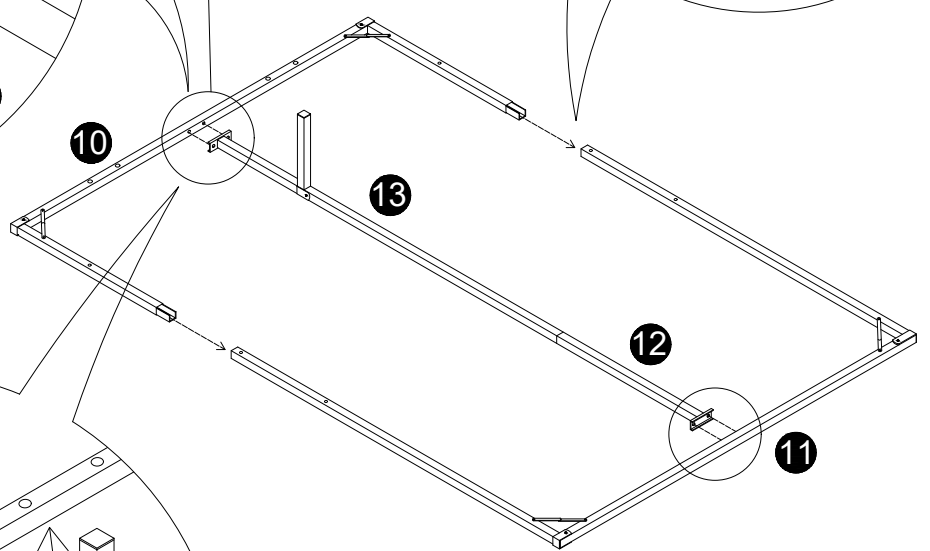
12



13

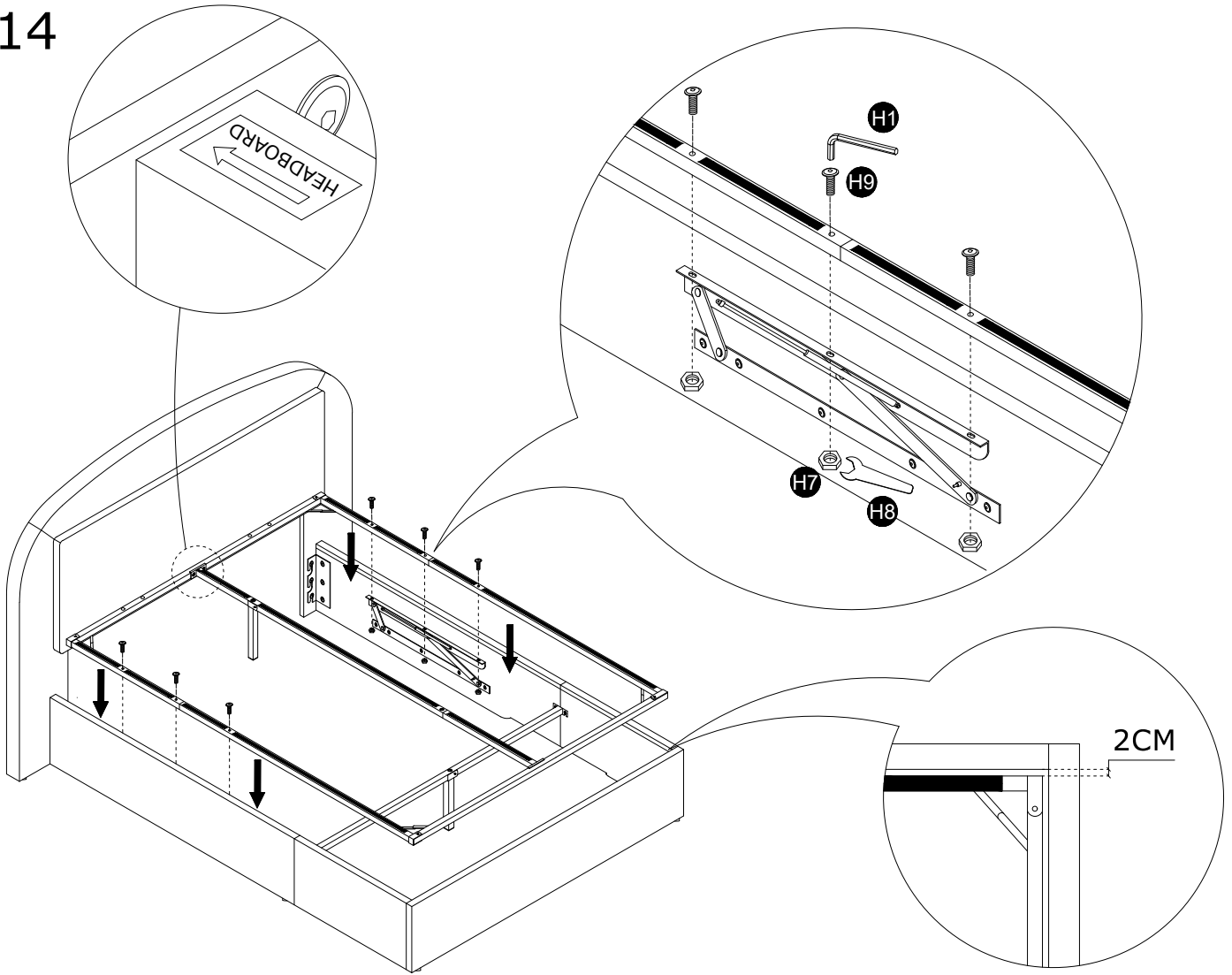


Shown upside down



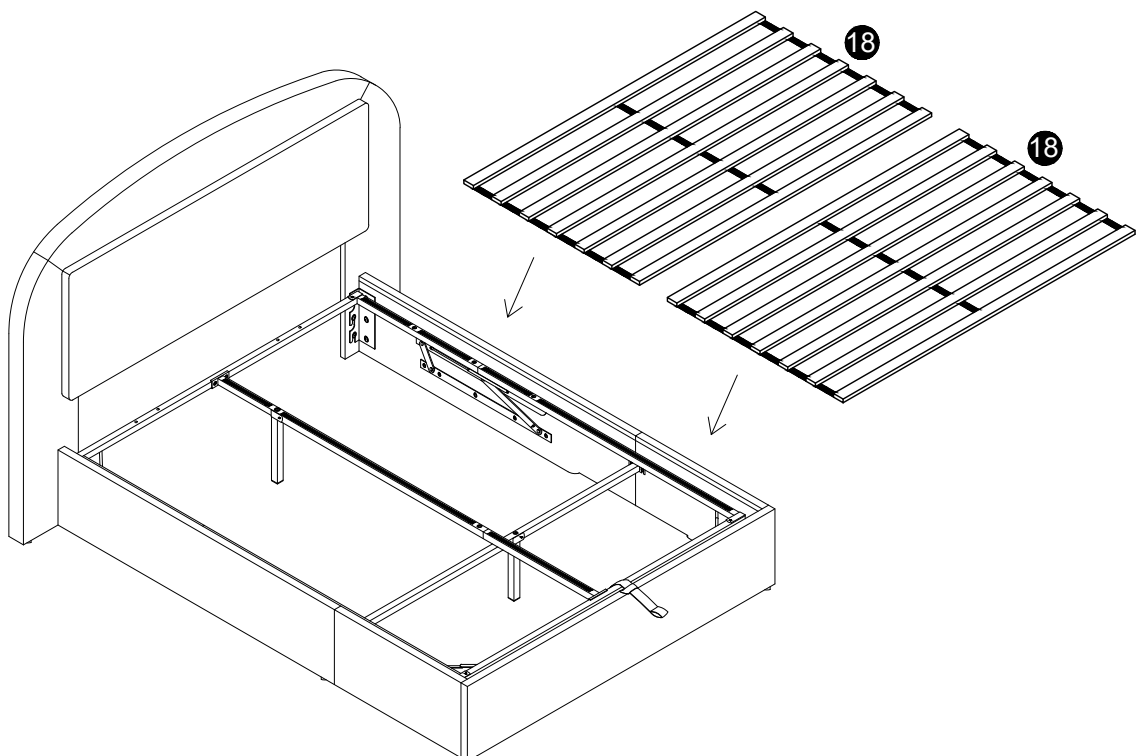
Please take note that the support leg of part **13** should be attached near to part **10** that have four holes.

14

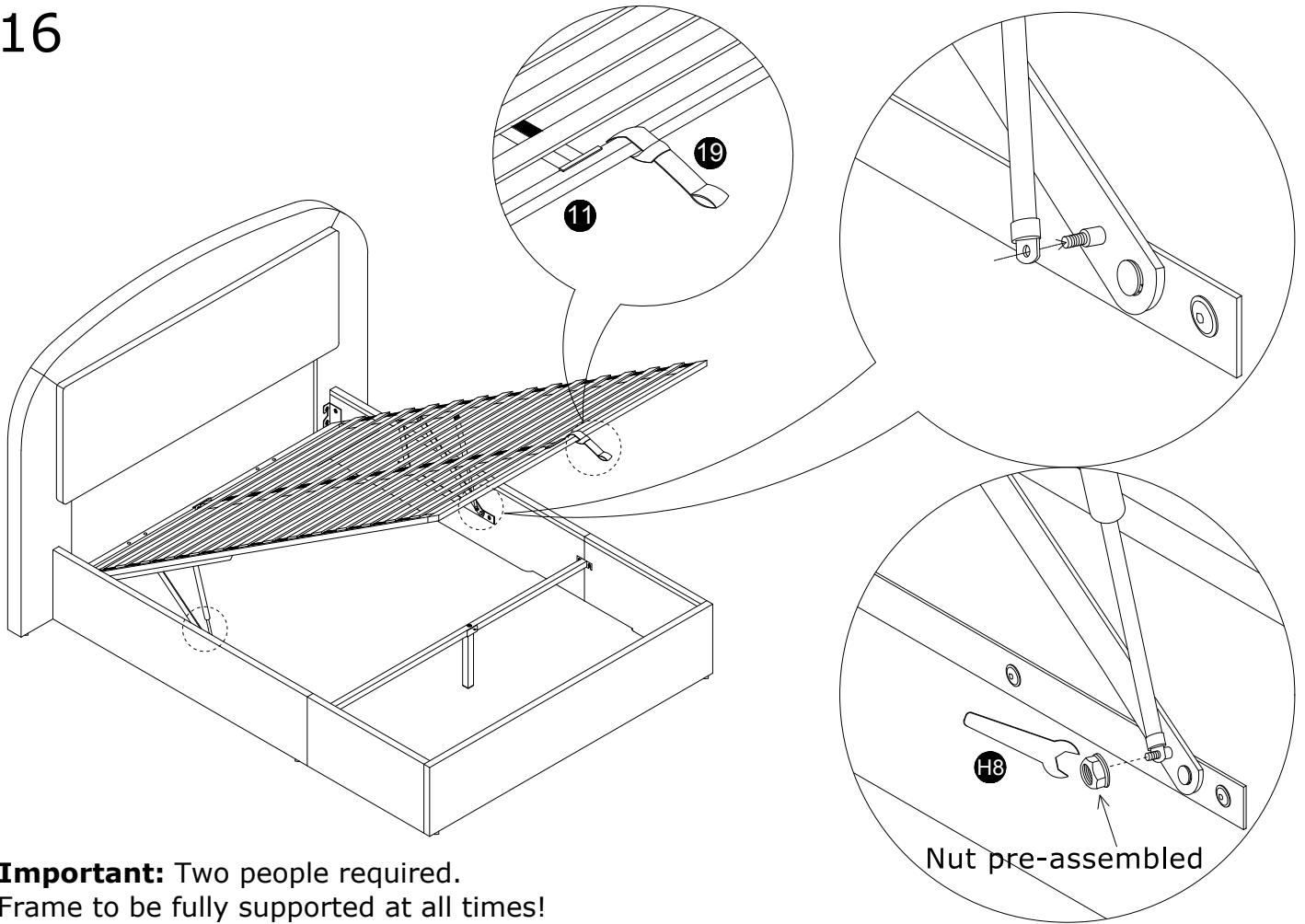


**Beware of risk of entrapment
from folding hinges!**

15

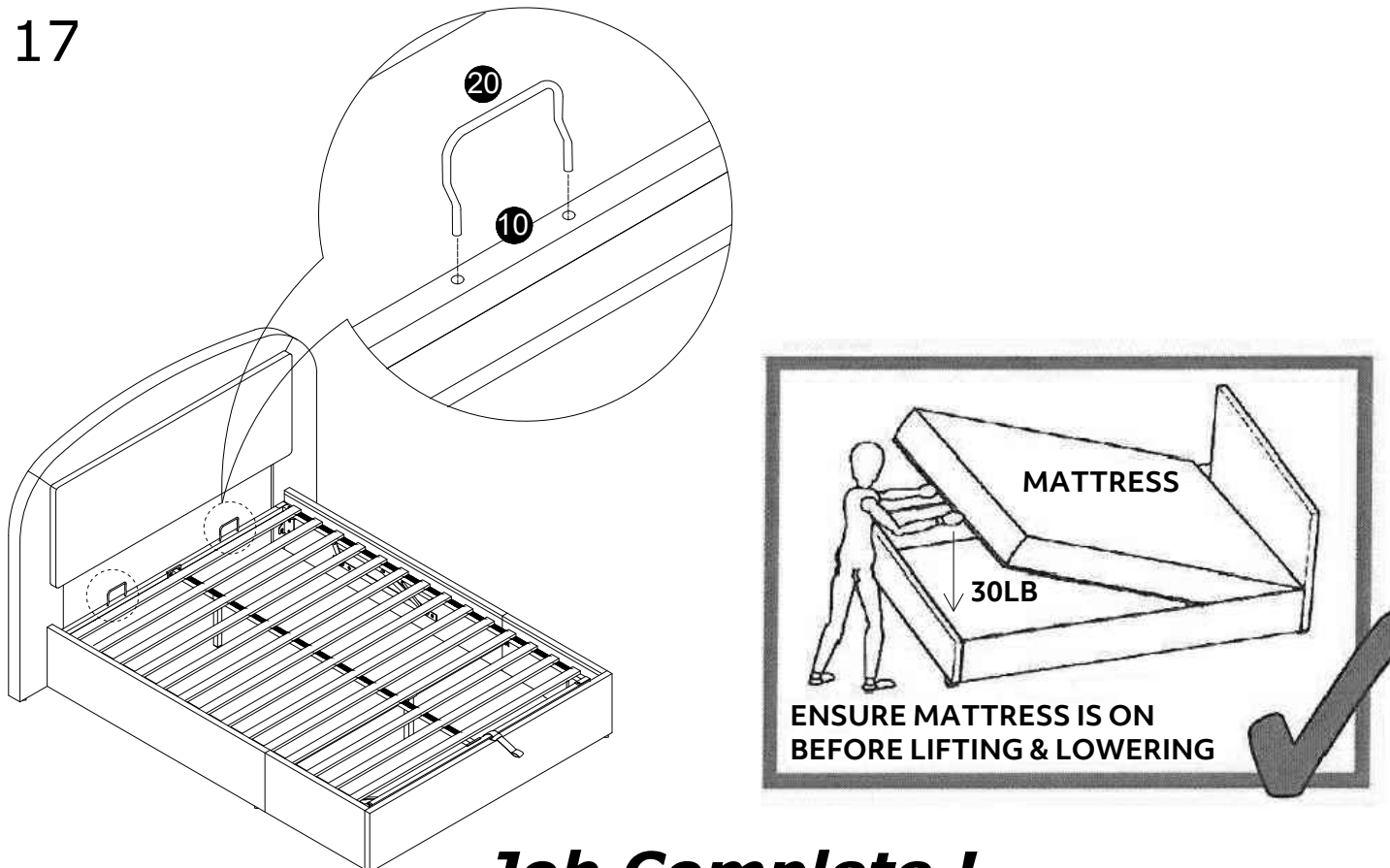


16



Important: Two people required.
Frame to be fully supported at all times!

17



Job Complete !

In the interest of our environment please dispose of all packaging thoughtfully.