

---

**OPERATIONS MANUAL**



## Assembly & Installation Instructions

Product reviews help future customers to make their purchase decision. You are encouraged to share your experience by leaving a short product review on the platform where you bought this product.

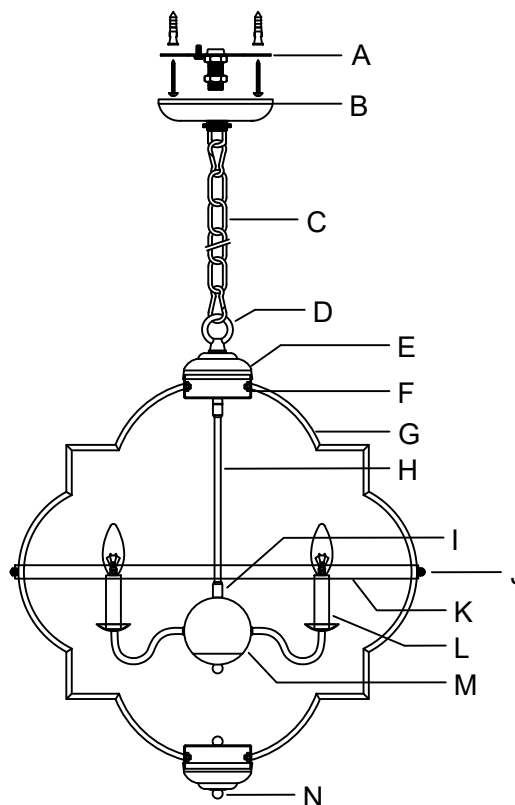
Thank you!

**Warning:** If any special control devices are used with this fixture, follow the instructions carefully to assure full compliance with N.E.C.requirements. If there are any questions, contact a qualified electric contractor.

**Warning:** California Residents Proposition 65 This product contains lead, a chemical known to the state of California to cause cancer and birth defects or other reproductive harm. Do not place the product in your mouth. Wash your hands after handling this product.

**Caution:** It is highly recommended to get an electrician to install this light. Please make sure to turn the electricity off at the main circuit breaker before beginning installation. All glass is fragile. Use care when handling glass component(s) and/or lamp(s).

Please read all instructions carefully. Before you proceed to install, make sure that the power supply is turned off and remains off until installation is completed.



( Rated 110V/60Hz, bulb 60W maximum.)

Applicable bulbtype:  
B10、CA10  
(Not included)



E12

## WIRE CONNECTION DIAGRAM

Wires meeting safety standards are required to connect the electrical circuit.

**CAUTION:** Risk of fire

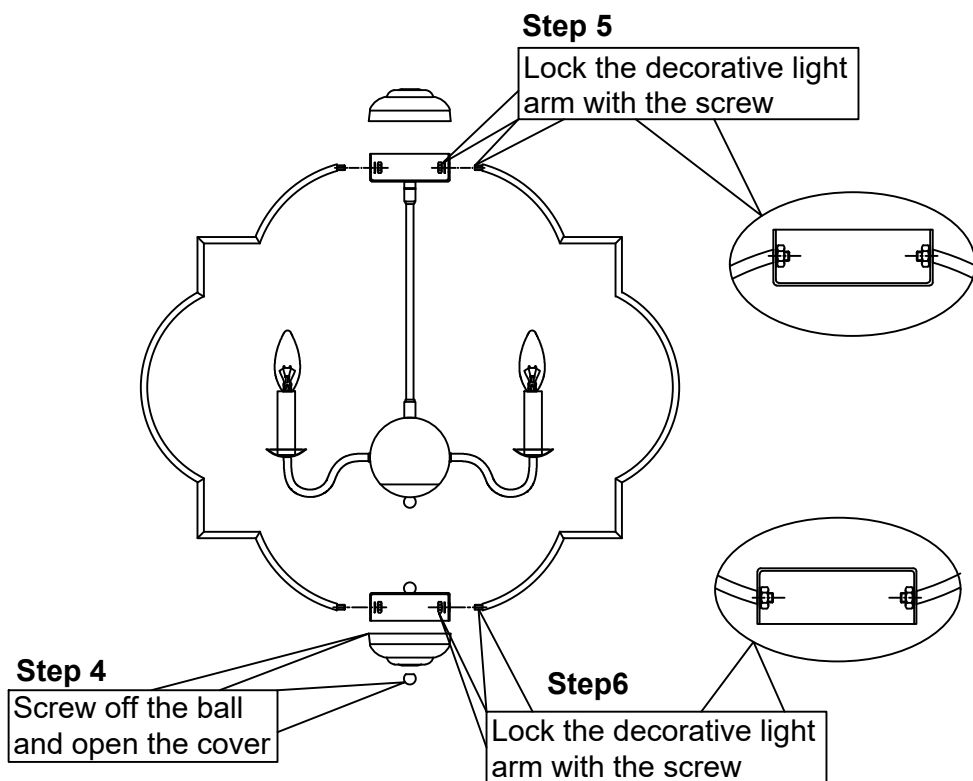
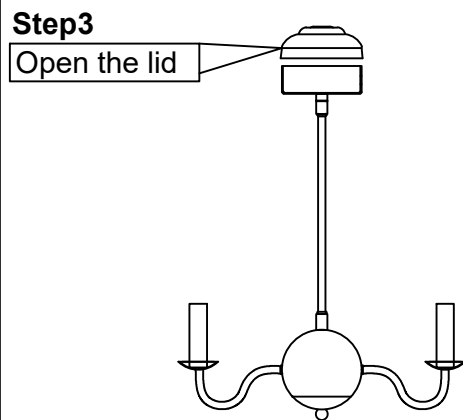
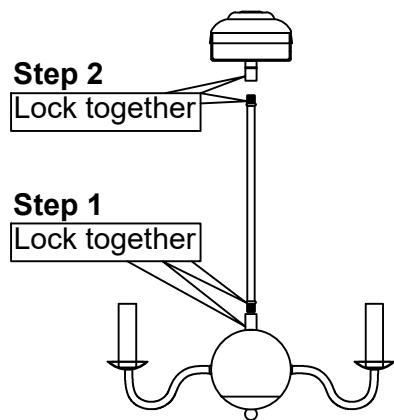


Please read all instructions carefully. Before you proceed to install, make sure that the power supply is turned off and remains off until installation is completed.

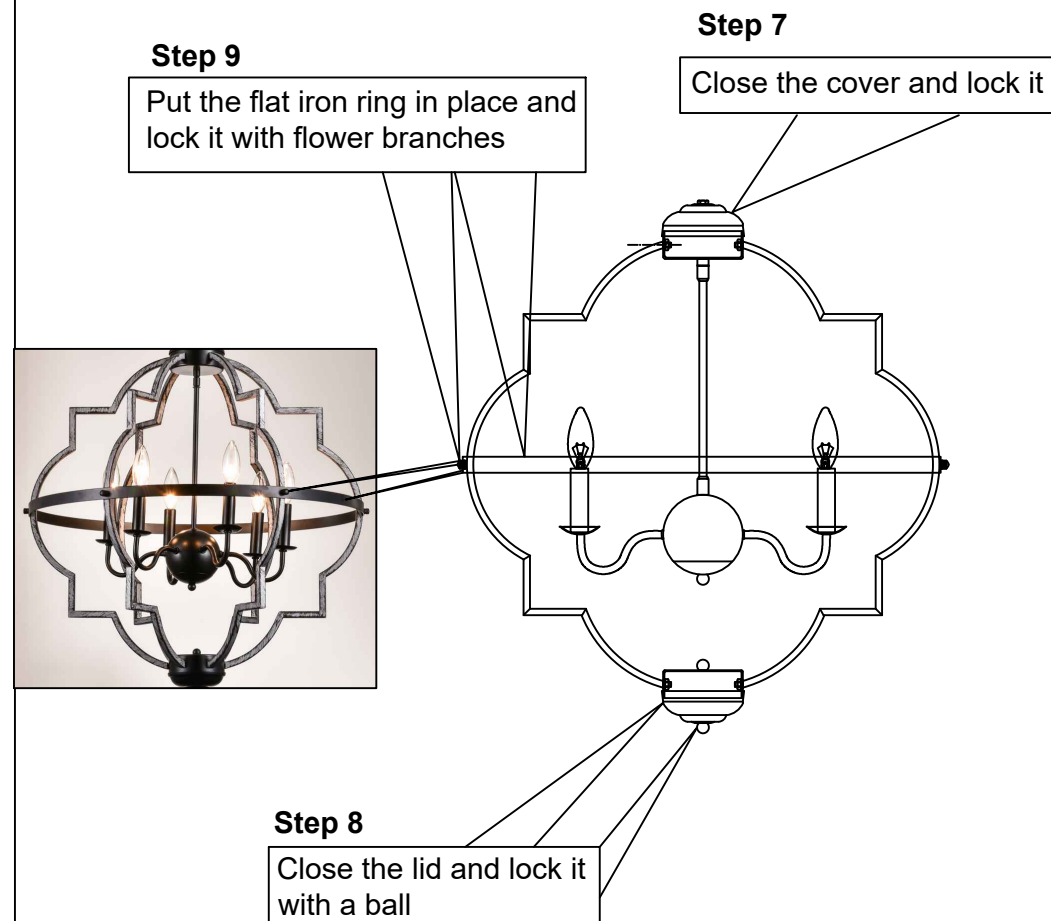
## PARTS INCLUDED

Code	Part Description	QTY
A	Mounting Bracket	1 PCS
B	Canopy	1 PCS
C	Sling Chain	1 PCS
D	Lifting Ring	1 PCS
E	Multi-layer Cover	2 PCS
F	Lamp Plate	2 PCS
G	Lamp Arm	6 PCS
H	Central Pipe	1 PCS
I	Connector	1 PCS
J	Cover Nut	6 PCS
K	Round Iron Circle	1 PCS
L	Lamp Holder	6 PCS
M	Chandelier Body	1 PCS
N	Round Ball	3 PCS

## Assembly and Installation Steps



## Assembly and Installation Steps



# Assembly and Installation Steps

## Step 10

- 10A. Lock the crossbar to the junction box of the ceiling by using 2 pcs of 5/32 screws in the accessories bag.
- 10B. Connect the wires. The hot/positive (+) wire is the one which has writing on it. The negative (-) wire is the one which has no writing.
- 10C. Cover the ceiling canopy and attach the screws to the canopy.

