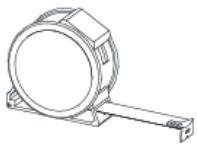


# Installation Instructions KSS0001S-OL

## Undermount Stainless Steel Sinks



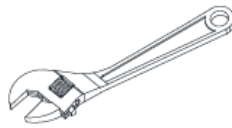
### Tools You Will Need



Measuring tape



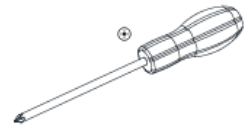
Pencil



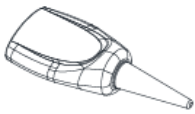
Wrenches



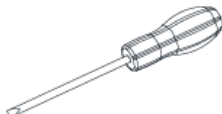
Safety goggles



Phillips screwdriver



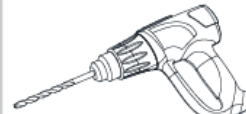
Silicone sealant



Flathead screwdriver



Hacksaw



Electric drill



Saber saw or jig saw

- For optimum installation results homeowners, cabinet makers, countertops, and sink installers should all be involved in the planning and installation process.
- The manufacturer suggests this sink be installed by a locally licensed professional and recommends using the actual sink to determine the final cabinet and countertop dimensions.
- Prior to installation be sure to inspect the sink for damage. The manufacturer is not responsible for damage caused during I
- Installation or by improper installation. Be sure to use proper tools and always wear personal protective equipment for your safety.
- Caution: Metal edges may be sharp – handle with care.



# Undermount Stainless Steel Sinks

## Installation / Installation / Instalación

Undermount handmade sinks are sinks that are attached from below the countertop. These instructions are for installing 1858 Brand undermount stainless steel sinks in a solid surface countertop only. The minimum thickness of the actual countertop material is one half-inch. In addition, a one-inch build-up around the sink is preferred. The manufacturer recommends that undermount sinks and routing of your solid surface material should be installed by a professional installer for best results. Requirements vary for installation in a granite, marble, stone, or butcher block countertop.

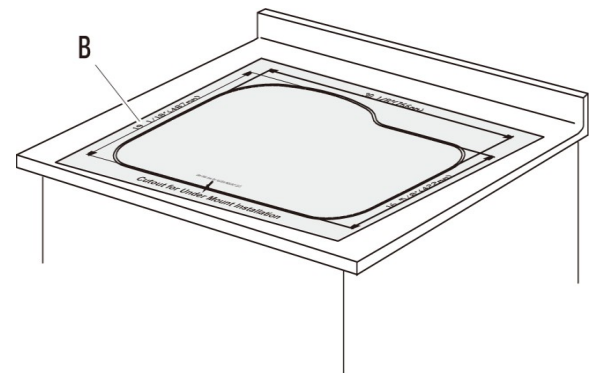
The undermount handmade sink is recommended to use the flush mount to install, which the countertop meets the edge of the sinks, fitting flush with the sink bowls (see diagram below).



### Step 1 – Preparing the countertop

Place the template (B) on the countertop. Ensure the template is centered on the counter so that it is parallel to the counter edge and that the installation hole will not interfere with the structure of the cabinet.

Tape the template (B) to the countertop to keep it in place and trace the cutout line on the template (B) with a pencil.

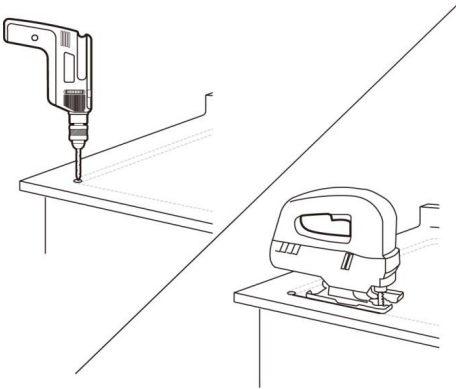


**1858 Brands recommends that all countertops be cut by an approved or certified installer and that the sinks be installed by the installer whenever possible. The countertop/sink unit ideally should be installed as one on the job site. Please carefully read all instructions before beginning installation.**



# Undermount Stainless Steel Sinks

## Installation / Installation / Instalación



### Step 2 – Cutting the installation hole

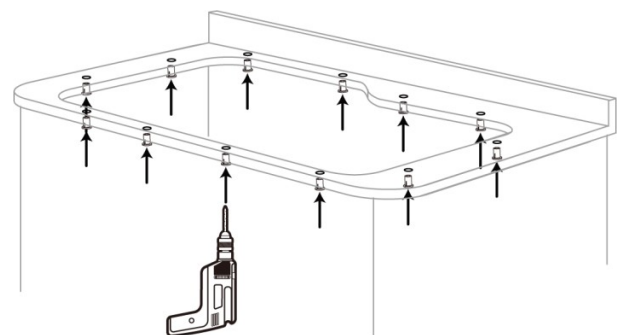
Drill a pilot hole and cut the countertop opening. Use the appropriate cutting tool for the surface you are cutting and cut along the inside of the template line.

### Step 3 – Drilling holes for the clips

On the underside of the counter, mark the location of the twelve holes for the clips. These holes should be equally spaced around the perimeter of the cutout.

Using an electric drill with an 11 mm drill bit, drill each hole so that it is 11 mm in diameter and 14 mm deep.

Insert the plastic caps from each of the clips into each of the installation holes.



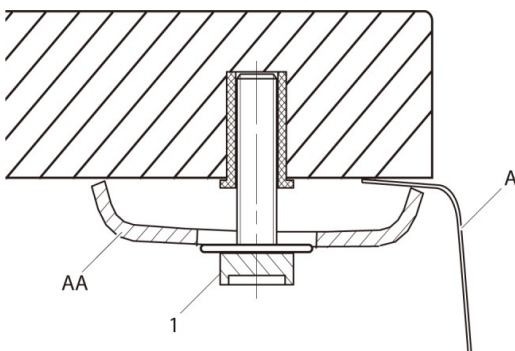
### Step 4 – Installing the sink

Insert the screws (1) loosely in the holes that you drilled in the underside of the counter. Ensure that you use the clips in the locations that have the narrowest clearance between the sink and counter.

Place a small bead of silicone sealant (not included) around the upper lip of the sink (A).

Carefully place the sink (A) into its location under the counter, with the lip of the sink being supported by the clips (AA).

Tighten the screws (1) evenly, ensuring the sink (A) remains in place. Wipe away any excess silicone and, for best results, allow the bond to rest undisturbed for 8 hours or overnight.



## Installation / Installation / Instalación

### Care & Cleaning Guidelines

#### Cleaning

- Daily, regular cleaning to remove dirt and prevent staining is recommended. Use liquid dish detergent, water, and a soft household sponge.
- Mild, non-abrasive cleaners can be used with a nylon scrub pad. To ensure a uniform appearance on a stainless steel sink surface, rinse with water and wipe down the sink with a soft, dry cloth. Drying the sink will prevent water spots caused by time in the water.
- Remove stubborn stains from lime or calcium deposits by pouring a little warm vinegar or vinegar-based cleaner into the sink and allowing it to sit for a few minutes. Rinse with clean water and dry.
- Please note chlorides are found in almost all soap, detergents, bleaches, and cleansers. Chlorides can be harsh on stainless steel. Rinse your sink thoroughly after each use to remove any chloride residue.

Please note chlorides are found in most all soap, detergents, bleaches and cleansers. Chlorides can be harsh on stainless steel. Rinse your sink thoroughly after each use to remove any chloride residue.

#### Scratches

Scratches are inevitable during your usage over time. To treat, use a nylon pad with an iron-free abrasive polishing compound. Follow the original polish lines to blend out the scratch in a small area. Be cautious not to overdo the process, as cleaning too aggressively could result in a bright spot.

#### Rust Spots

Stainless steel does not rust. Rust stains are the result of iron particles introduced by water, cookware, and steel wool pads that react with water to create rust. Metal cleaners will remove rust spots.

#### Food Stains

Depending on the severity of the stain, use a bleach and water solution or pour the bleach onto a cloth and cover the stain. Allow the bleach to sit for at least 1/2 hour and then clean with dish detergent and water.

#### Some Don'ts

- DO NOT use strong abrasive cleaners, metal scrub pads, or steel wool. These will scratch the surface.
- DO NOT leave rubber mats or sponges inside the sink. Water trapped below could lead to stains.
- DO NOT let food with a high salt content sit inside the sink for prolonged periods of time.
- DO NOT allow chlorine bleach to sit inside a stainless steel sink for more than 1 hour.
- DO NOT allow drain cleaners to come into contact with the sink surface.
- DO NOT pour paint into your sink. The chemicals in acrylic paint will react with sinks if allowed to sit over 24 hours and will produce permanent marks. For latex-based paints, remove any residue immediately using a paint remover manufactured by the same brand. Consult the paint remover recommendations before using it on the sink. For all sinks, we also recommend nail polish remover, rubbing alcohol, or an acetone-based paint remover to eliminate paint residue.

