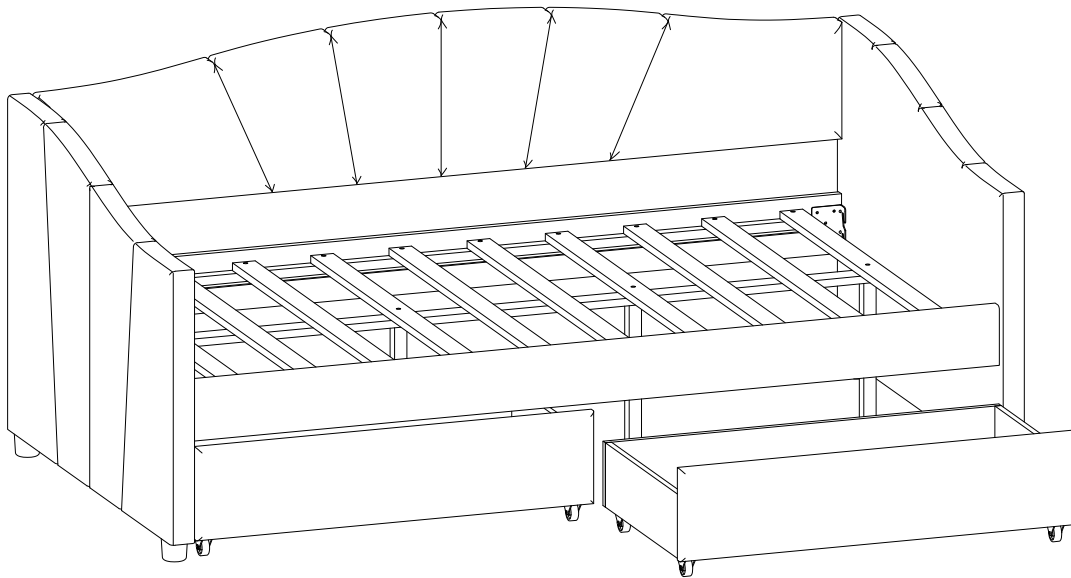


# ASSEMBLY INSTRUCTIONS

## Description : DRAWERS BED

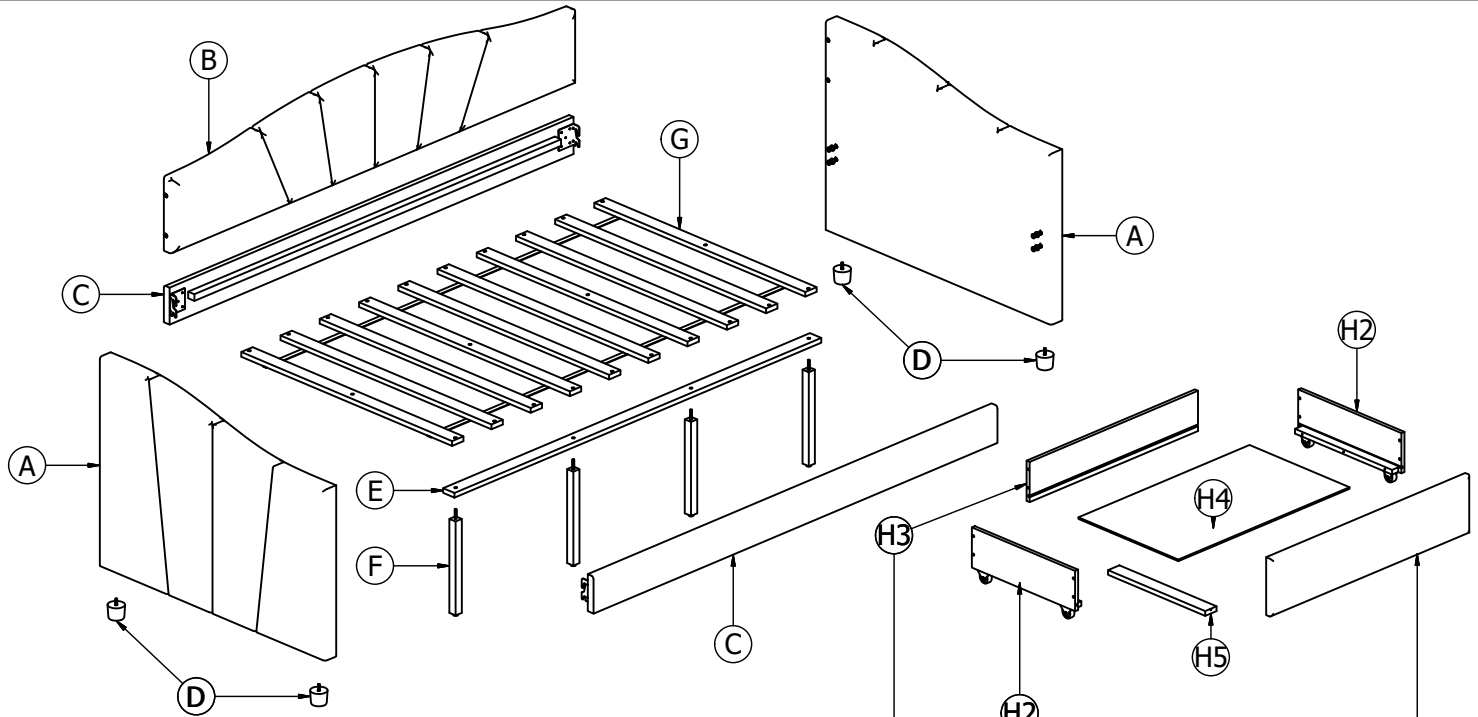
Thank you for purchasing this quality product. Be sure to check all packing material carefully for small part that may have come loose inside the carton during shipment.



# ASSEMBLY INSTRUCTIONS

## Description : DRAWERS BED

Thank you for purchasing this quality product. Be sure to check all packing material carefully for small part that may have come loose inside the carton during shipment.



### PART LIST :

No.	Description	Sketch	Quantity
A	Arm Panel L/R		2PCS
B	Headboard panel		1PC
C	Side Rail		2PCS
D	Bun Foot		4PCS
E	Center Support Slat		1PC
F	Support Leg		4PCS
G	Slats Rolls		1SET
H1	Drawer Front		2PCS
H2	Drawer Side		4PCS
H3	Drawer Back		2PCS
H4	Drawer Bottom		2PCS
H5	Support Bottom		2PCS

TOOLS REQUIRED (Not provided)	
	Screwdriver

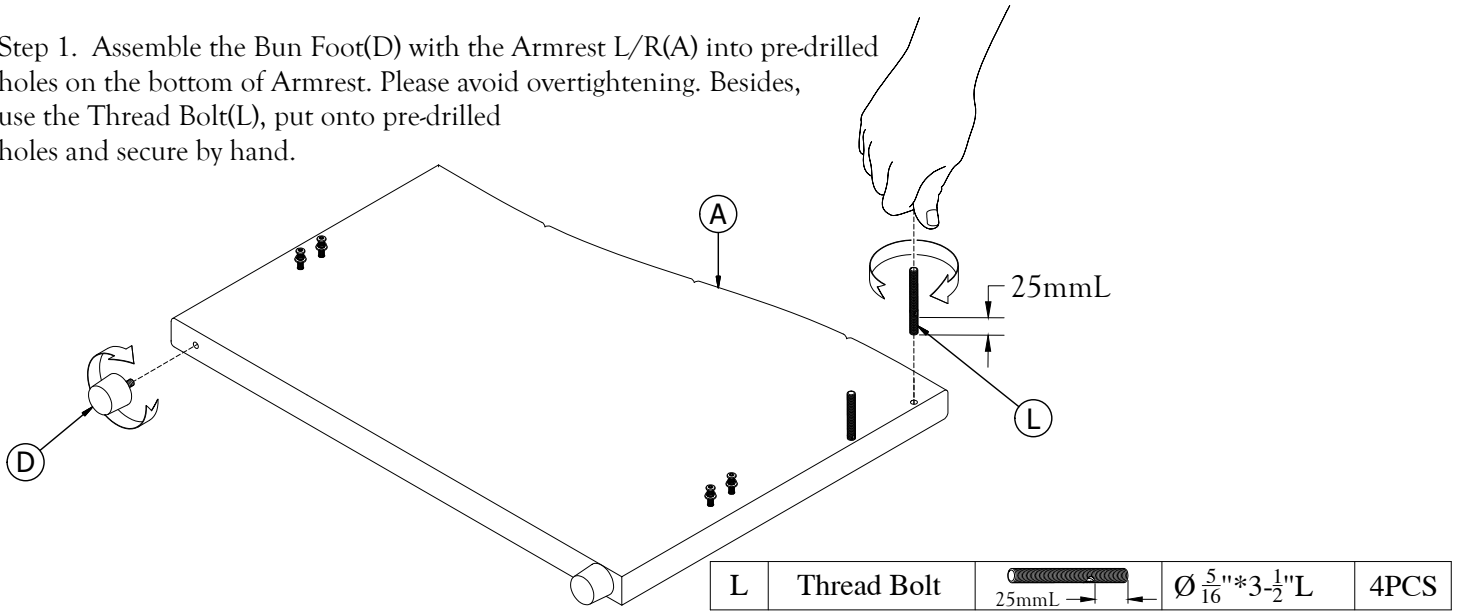
HARDWARE LIST :				
No.	Description	Sketch	Size	Quantity
K	Screw		Ø 8*2-¼"L	16PCS
L	Thread Bolt		Ø 5/16"*3-½"L	4PCS
M	Washer Semicircle		Ø 5/16"*25L	4PCS
N	Hexagonal Nut		Ø 5/16"	4PCS
O	Open Wrench		M12	1PC
P	Allen Key		M4*2-½"L	1PC
Q	Screw		Ø 8*1-¼"L	24PCS

# ASSEMBLY INSTRUCTIONS

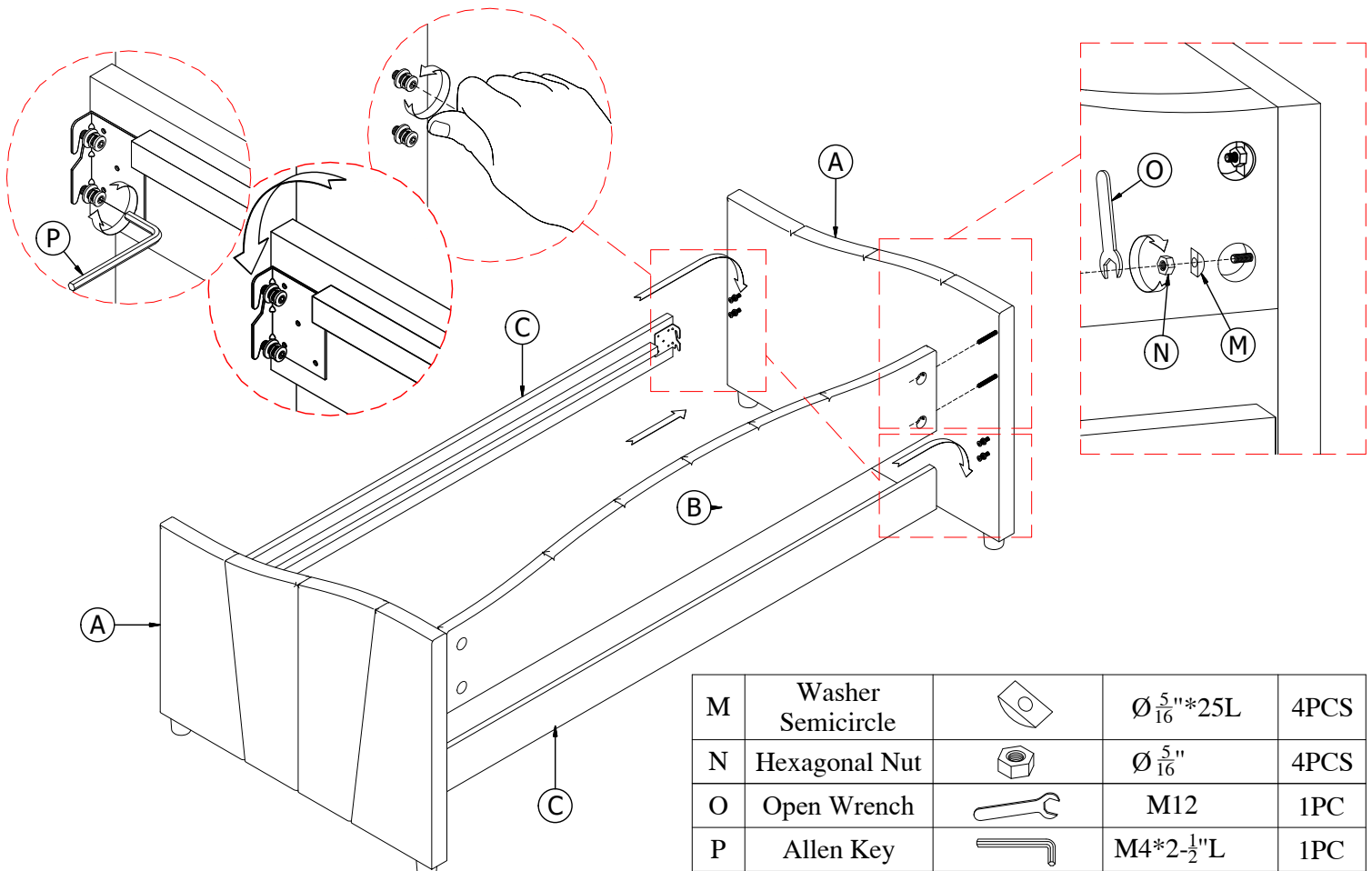
## Description : DRAWERS BED

Thank you for purchasing this quality product. Be sure to check all packing material carefully for small part that may have come loose inside the carton during shipment.

Step 1. Assemble the Bun Foot(D) with the Armrest L/R(A) into pre-drilled holes on the bottom of Armrest. Please avoid overtightening. Besides, use the Thread Bolt(L), put onto pre-drilled holes and secure by hand.



Step 2. Before performing this step, please loosen the bolts of the Arm Control Panel L/R(A), intended to hook metal Rail(C) securely set to the bolt. Besides, pay attention to also bring the Headboard panel(B) which has pre-drilled holes at both ends, to the L/R Arm(A) with two pre-assembled threaded rods, by using the Washer Semicircle(M), Hex Nut(N). Finally, tighten them with the Allen Key(P), the Open Wrench(O) as guide.

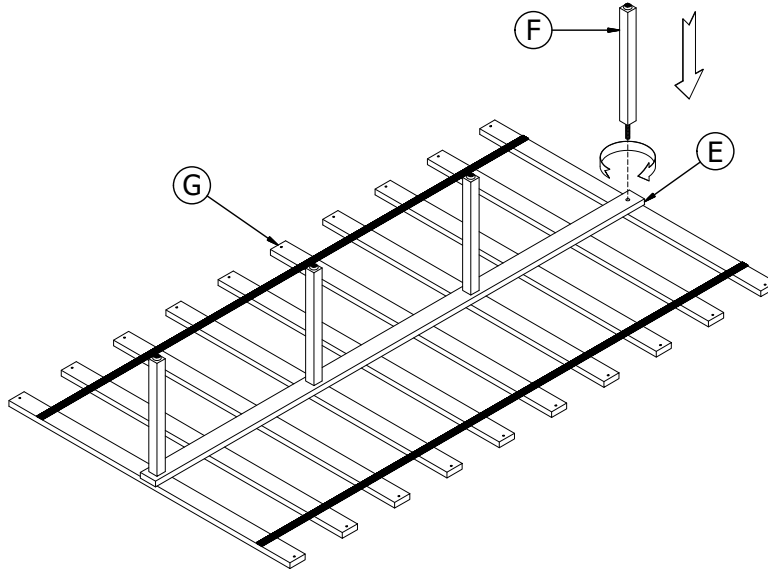


# ASSEMBLY INSTRUCTIONS

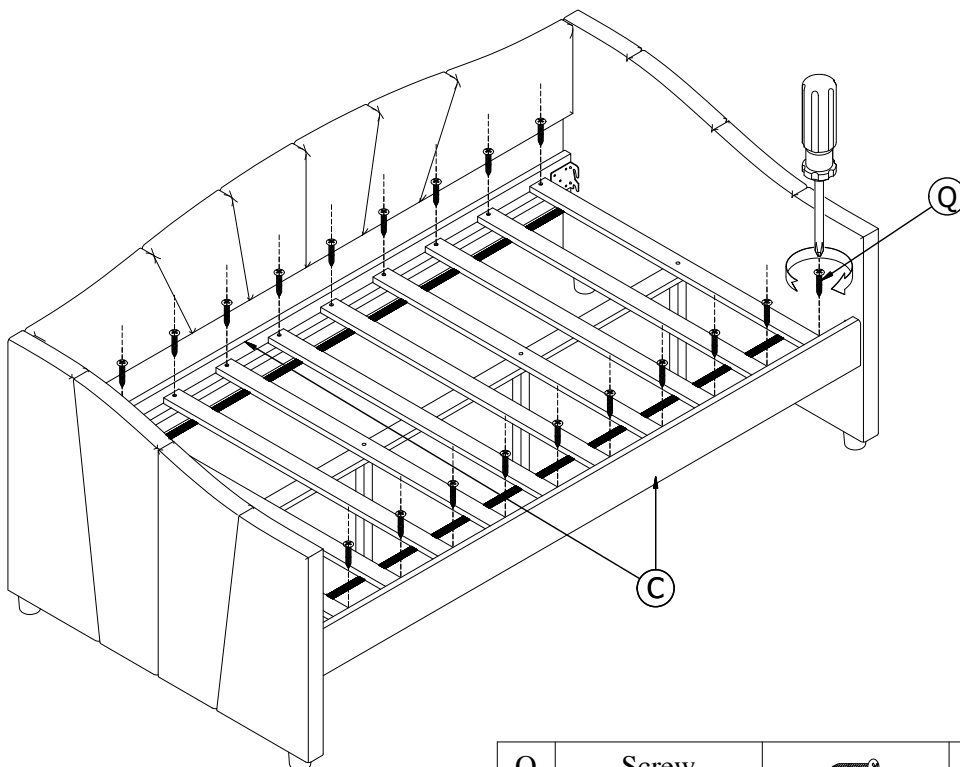
## Description : DRAWERS BED

Thank you for purchasing this quality product. Be sure to check all packing material carefully for small part that may have come loose inside the carton during shipment.

Step 3. Set Slat roll(G), link pre-wire up. Next, place the Center support(E), align the drill holes. At the same time, use the Support leg(F) to pass through the holes on the Center rail(E) one by one, to link through the Slat rolls(G) and tighten them together.



Step 4. Put the two Slat roll clusters on the side rails(C) of the bed to be neat, then tighten they are by Screws(Q).



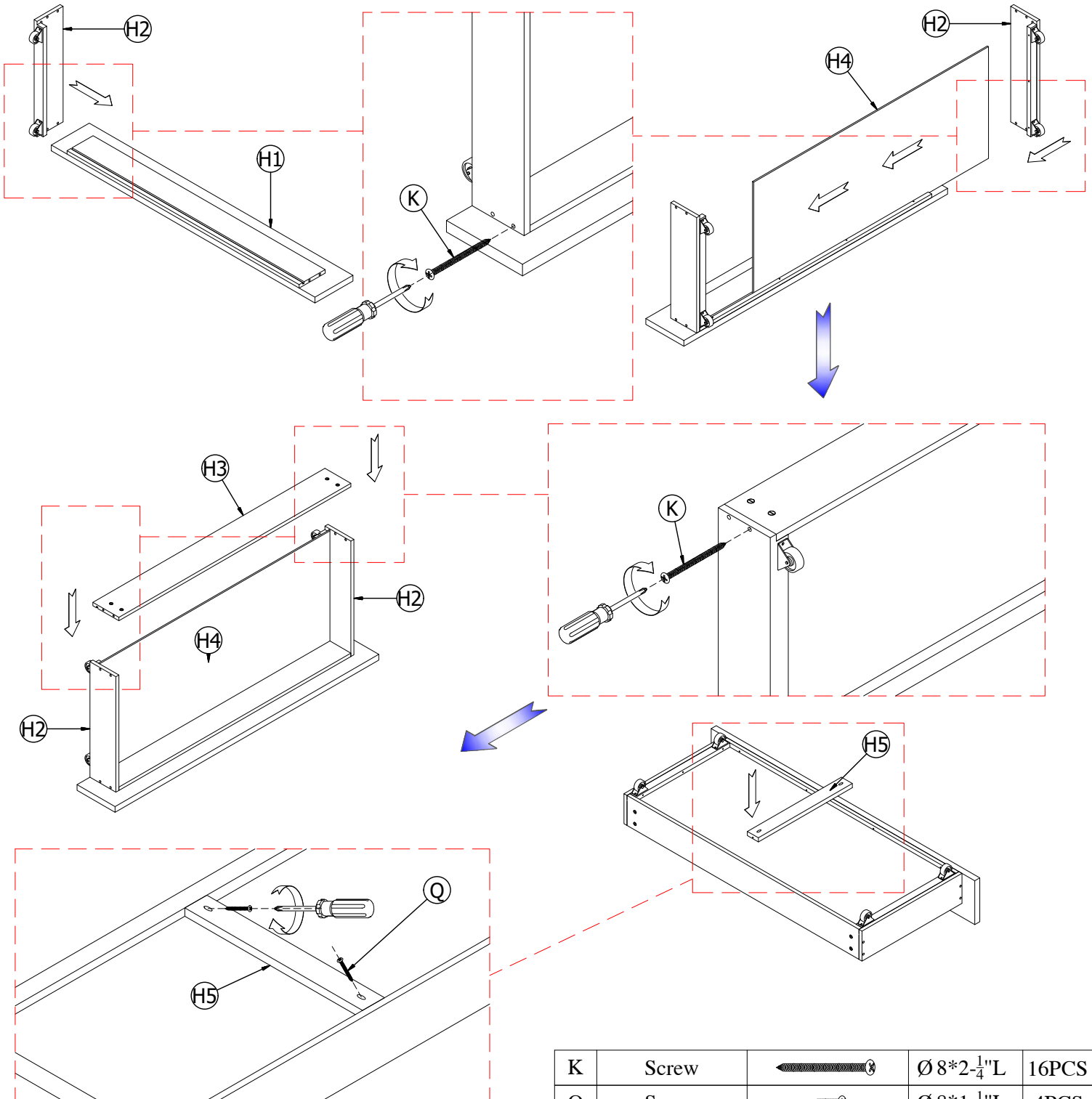
Q	Screw		Ø 8*1-1/4" L	20PCS
---	-------	---	--------------	-------



# ASSEMBLY INSTRUCTIONS

## Description : DRAWERS BED

Thank you for purchasing this quality product. Be sure to check all packing material carefully for small part that may have come loose inside the carton during shipment.

Step 5. Place the Drawer side plate(H2) with mount wheels to up on top of the back of Face Cushion(H1), aligning the drilled holes, by using the Screws(K) please in to the small holes available, use screwdriver tighten them together. Next, give turn the Drawer bottom plate(H4) and the Drawer side Plate(H2) rest add also put on top of the back of face Cushion(H1), also by using the Screws(K) please in to the small holes available, use screwdriver tighten them together. Next step, pass Drawer backs plate(H3) to in the Drawer side plate(H2) and Drawer bottom plate(H4). Aligning the drilled holes, by using the Screws(K) in to the small holes available, use screwdriver tighten them together. Finally, put the Bottom support bar(H5), use please Screws(Q) in to the small holes available, use screwdriver tighten them together.

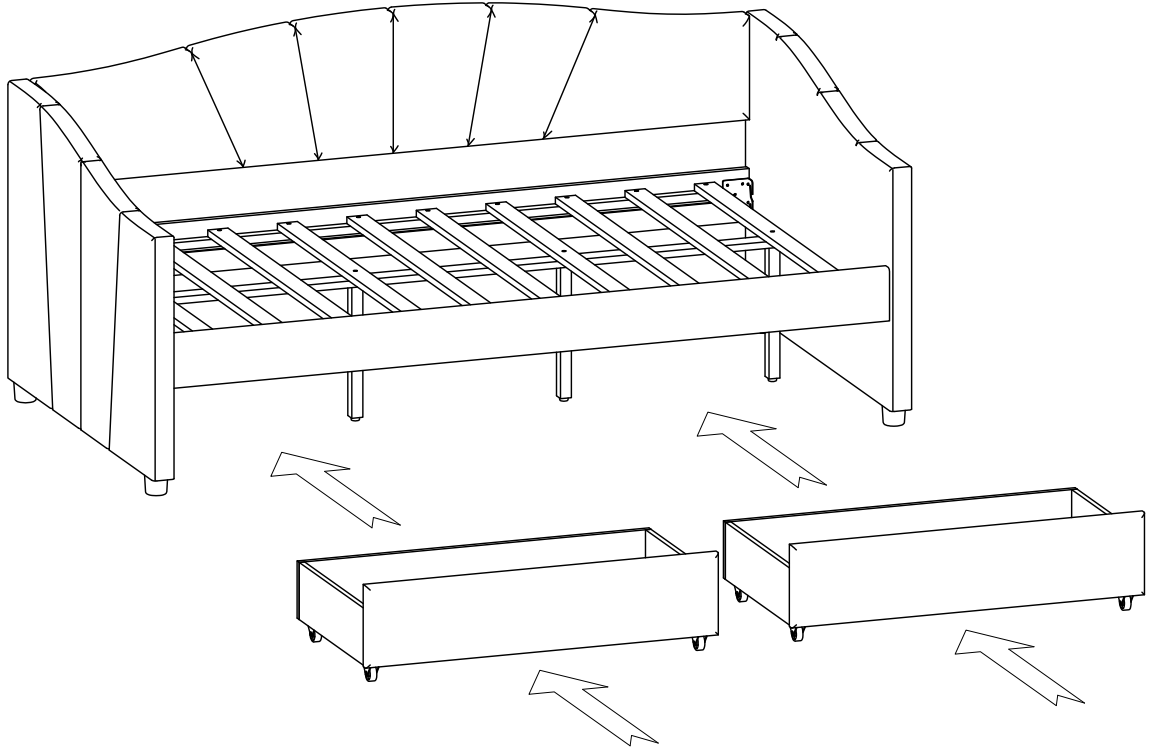


K	Screw		Ø 8*2-¼" L	16PCS
Q	Screw		Ø 8*1-¼" L	4PCS

# ASSEMBLY INSTRUCTIONS

## Description : DRAWERS BED

Thank you for purchasing this quality product. Be sure to check all packing material carefully for small part that may have come loose inside the carton during shipment.



Step 6. Push drawers under the bottom of Bed.

