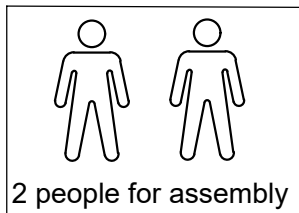
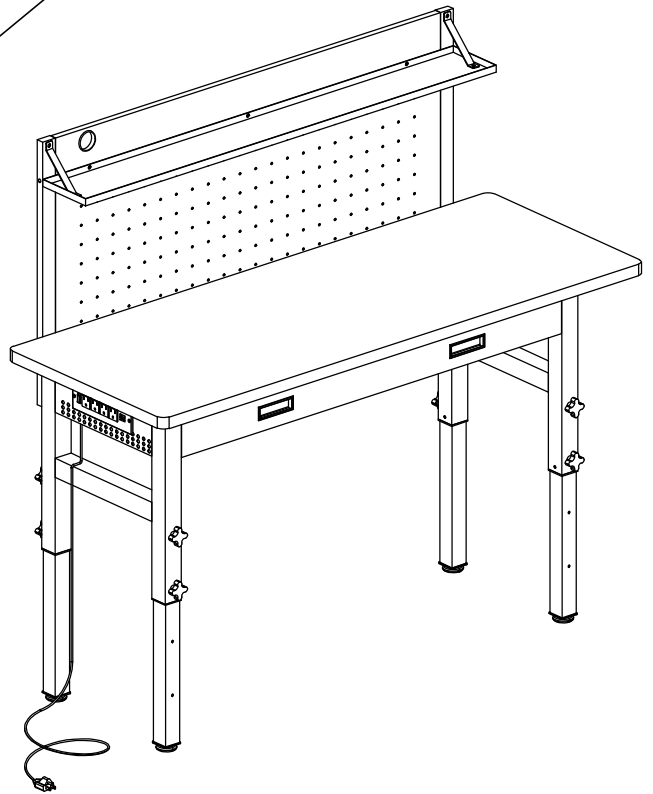
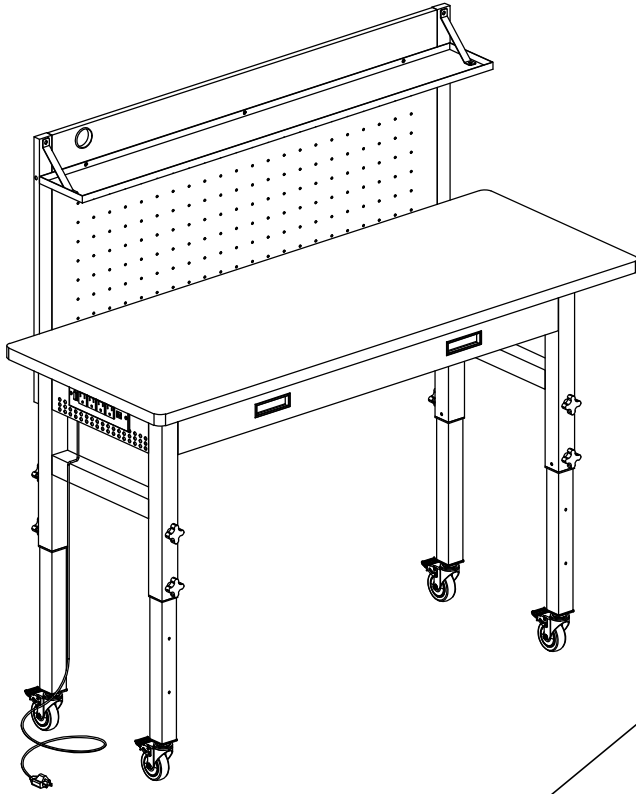
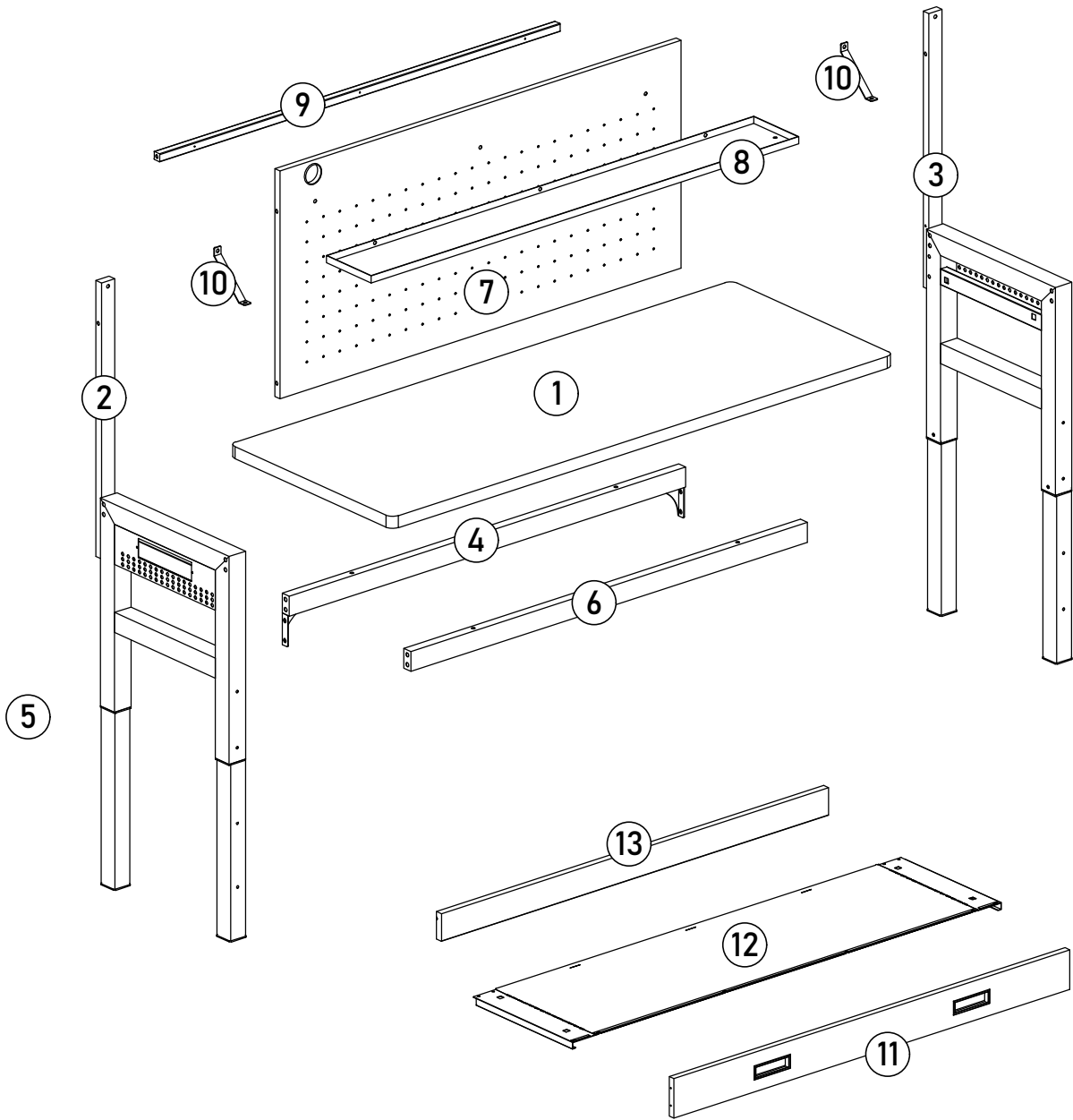
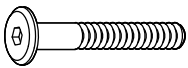

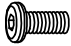














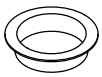
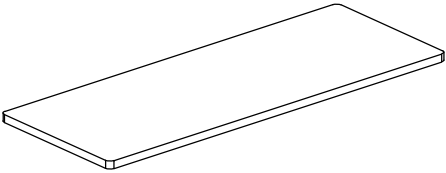
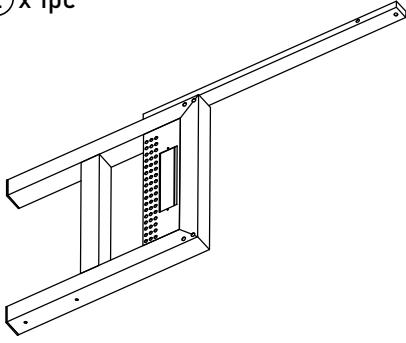
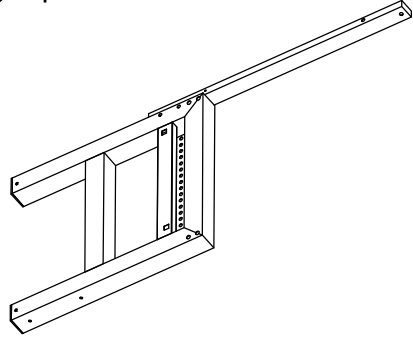
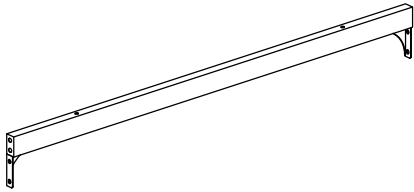

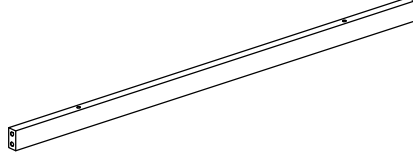
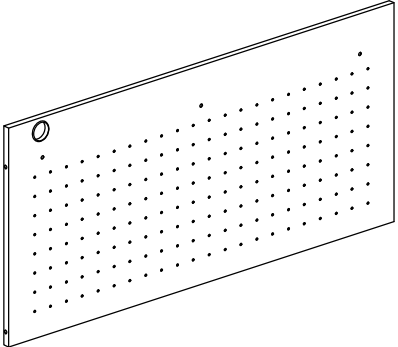
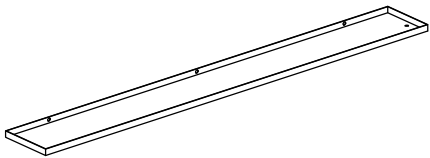
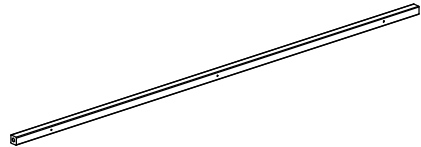

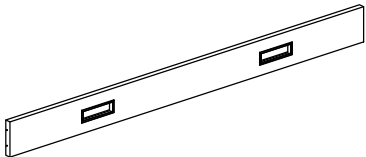
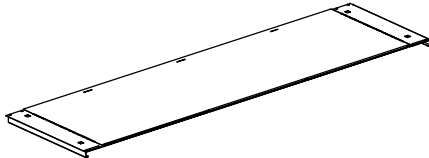
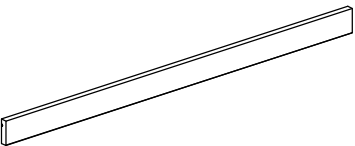


ASSEMBLY INSTRUCTION

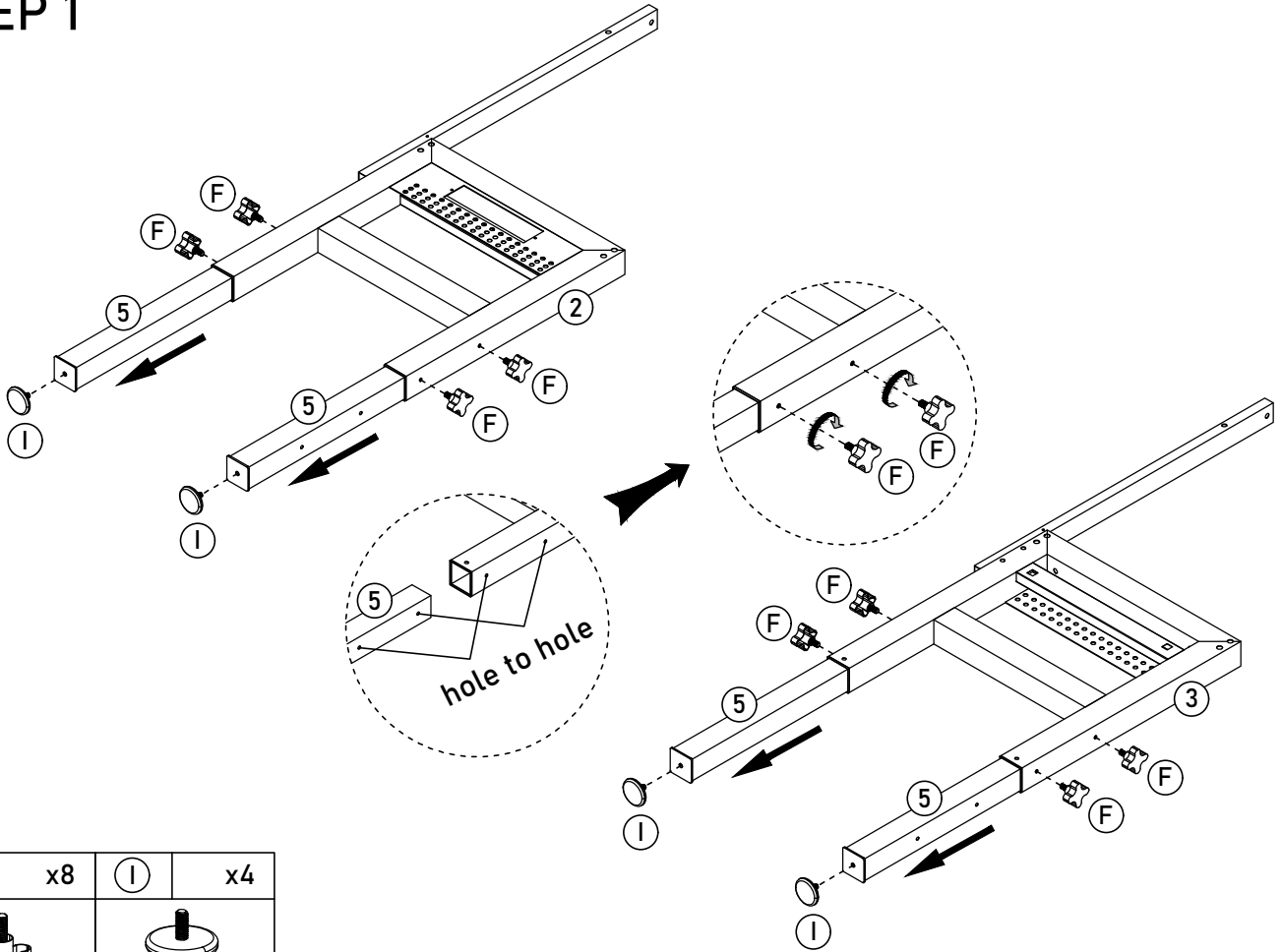






| | | | | | | | | | | | |
|--|----|--|----|---|-----|--|----|---|----|---|----|
| (A) | x8 | (B) | x6 | (C) | x13 | (D) | x2 | (E) | x1 | (F) | x8 |
|  | |  | |  | |  | |  | |  | |
| M6x70mm | | M6x60mm | | M6x15mm | | M4x8mm | | S4 | | | |
| (G) | x1 | (H) | x4 | (I) | x4 | (J) | x1 | (K) | x1 | (L) | x2 |
|  | |  | |  | |  | |  | |  | |
| S16 | | M10 | | Ø50xM10x20 | | | | S10 | | M6 | |
| (M) | x1 | (N) | x1 | (O) | x4 | (P) | x1 | | | | |
|   | |   | |  | |  | | | | | |
| M-1 M-2 | | N-1 N-2 | | Ø4x10mm | | | | | | | |

| | | |
|---|--|--|
| <p>① x 1pc</p>  | <p>② x 1pc</p>  | <p>③ x 1pc</p>  |
| <p>④ x 1pc</p>  | <p>⑤ x 4pcs</p>  | <p>⑥ x 1pc</p>  |
| <p>⑦ x 1pc</p>  | <p>⑧ x 1pc</p>  | <p>⑨ x 1pc</p>  |
| <p>⑩ x 2pcs</p>  | <p>⑪ x 1pc</p>  | <p>⑫ x 1pc</p>  |
| <p>⑬ x 1pc</p>  | | |

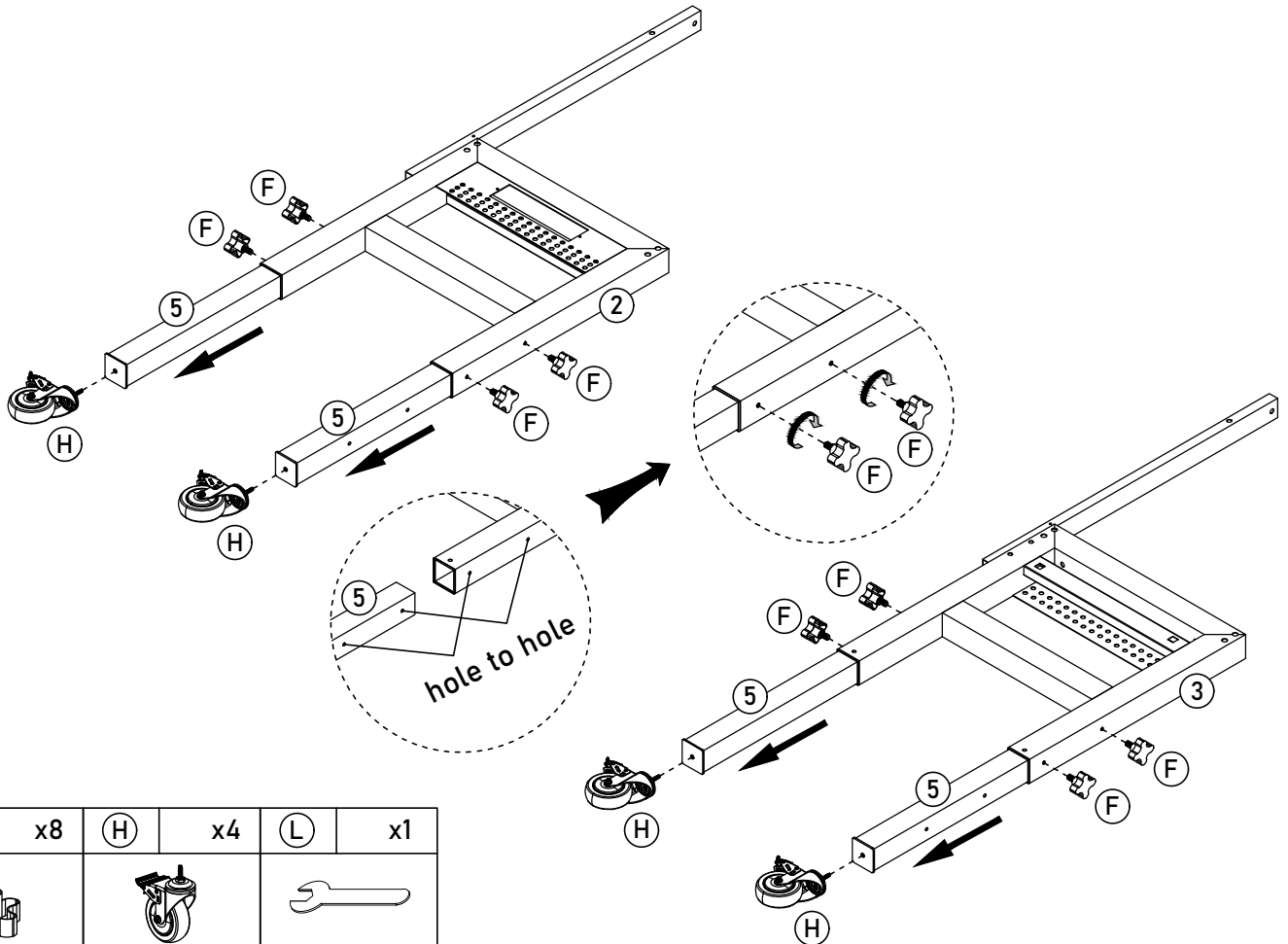
STEP 1






| | | | |
|---|----|---|----|
| (F) | x8 | (I) | x4 |
|  | |  | |
| | | Ø50xM10x20 | |

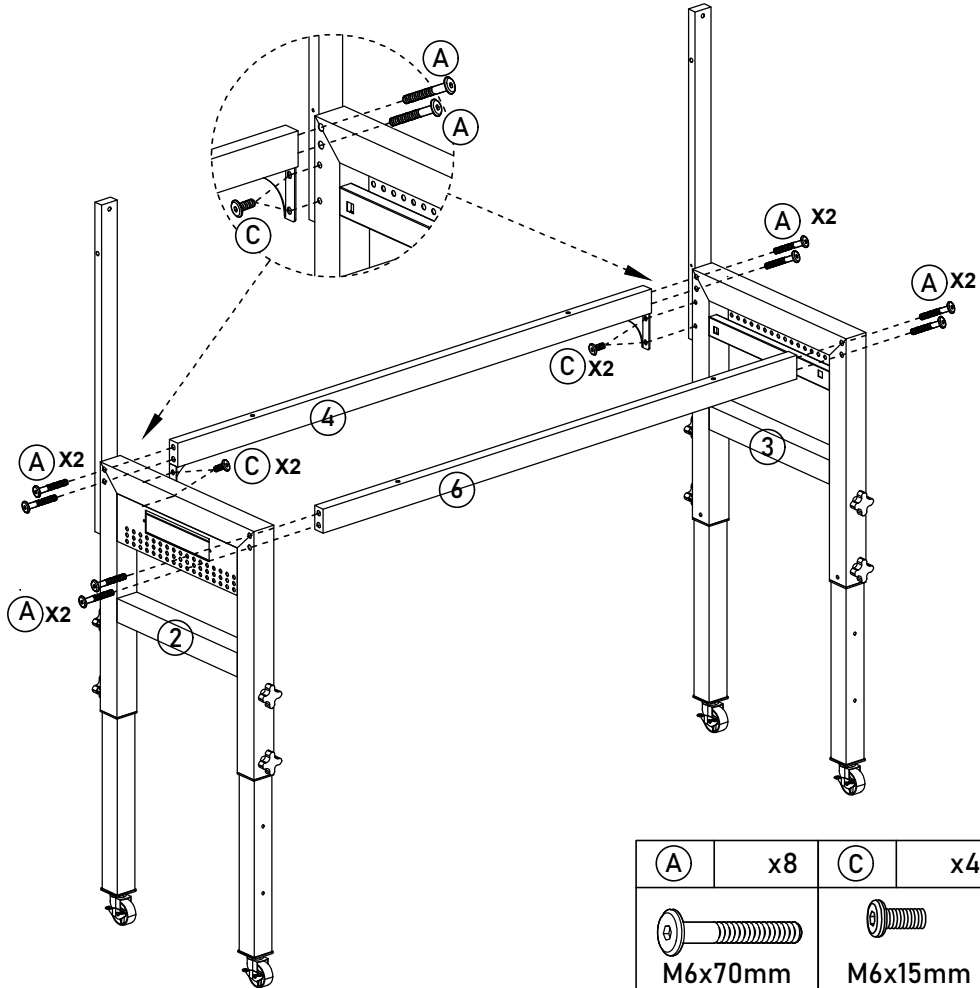
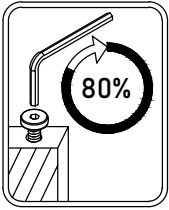
OR

STEP 2



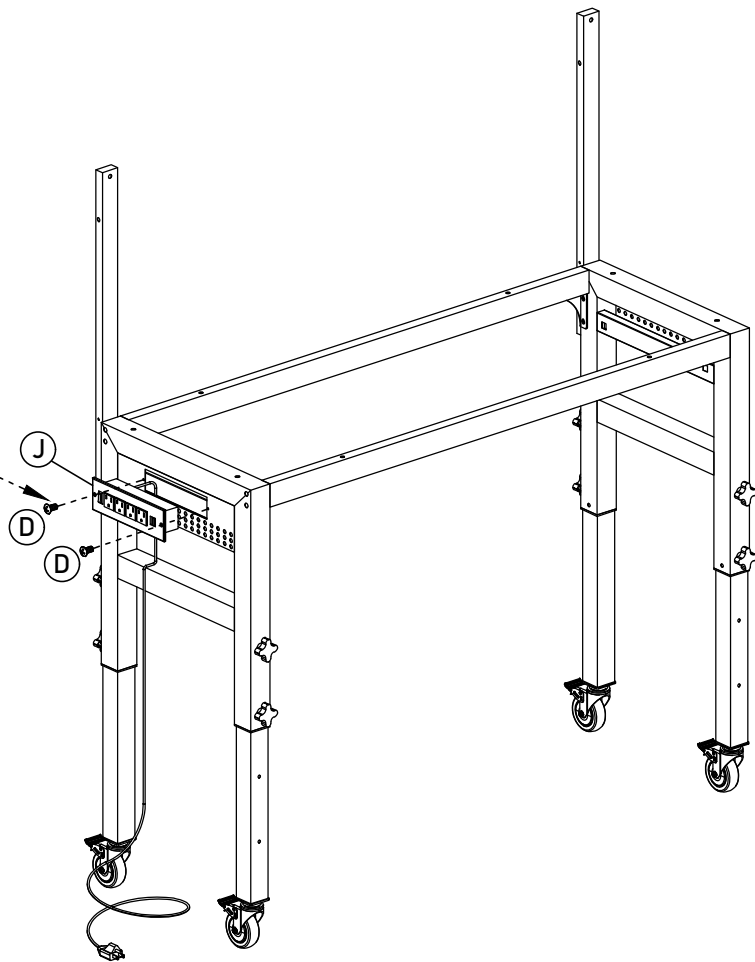
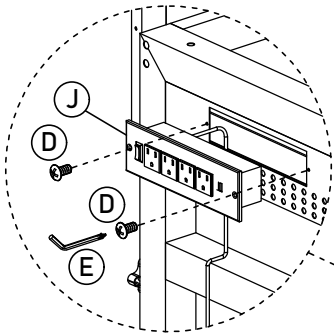
| | | | | | |
|---|----|---|----|---|----|
| (F) | x8 | (H) | x4 | (L) | x1 |
|  | |  | |  | |

STEP 3



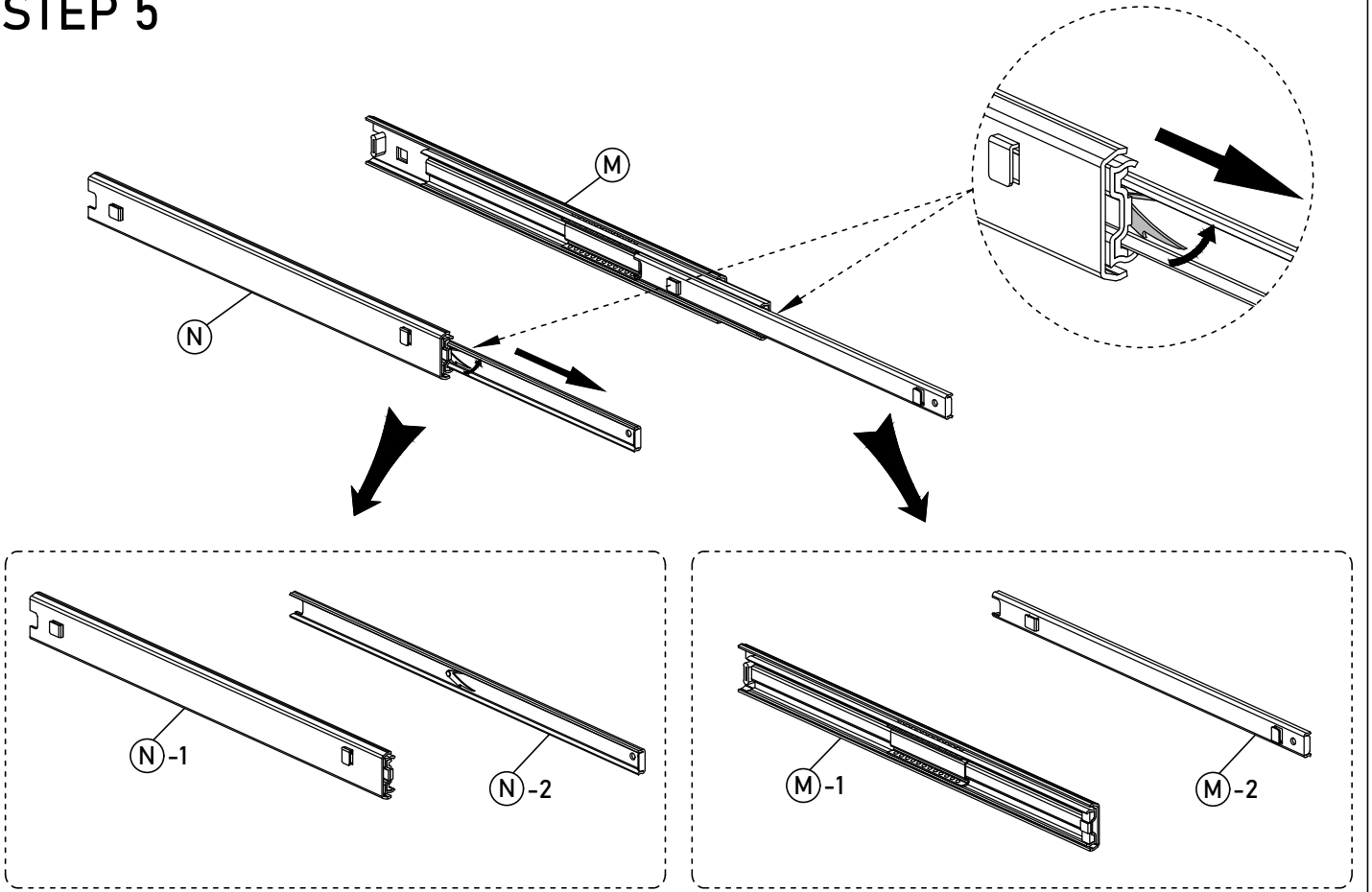
| | | | | | |
|-------------|----|-------------|----|--------|----|
| (A) | x8 | (C) | x4 | (E) | x1 |
| M6x70mm | | M6x15mm | | S4 | |

STEP 4

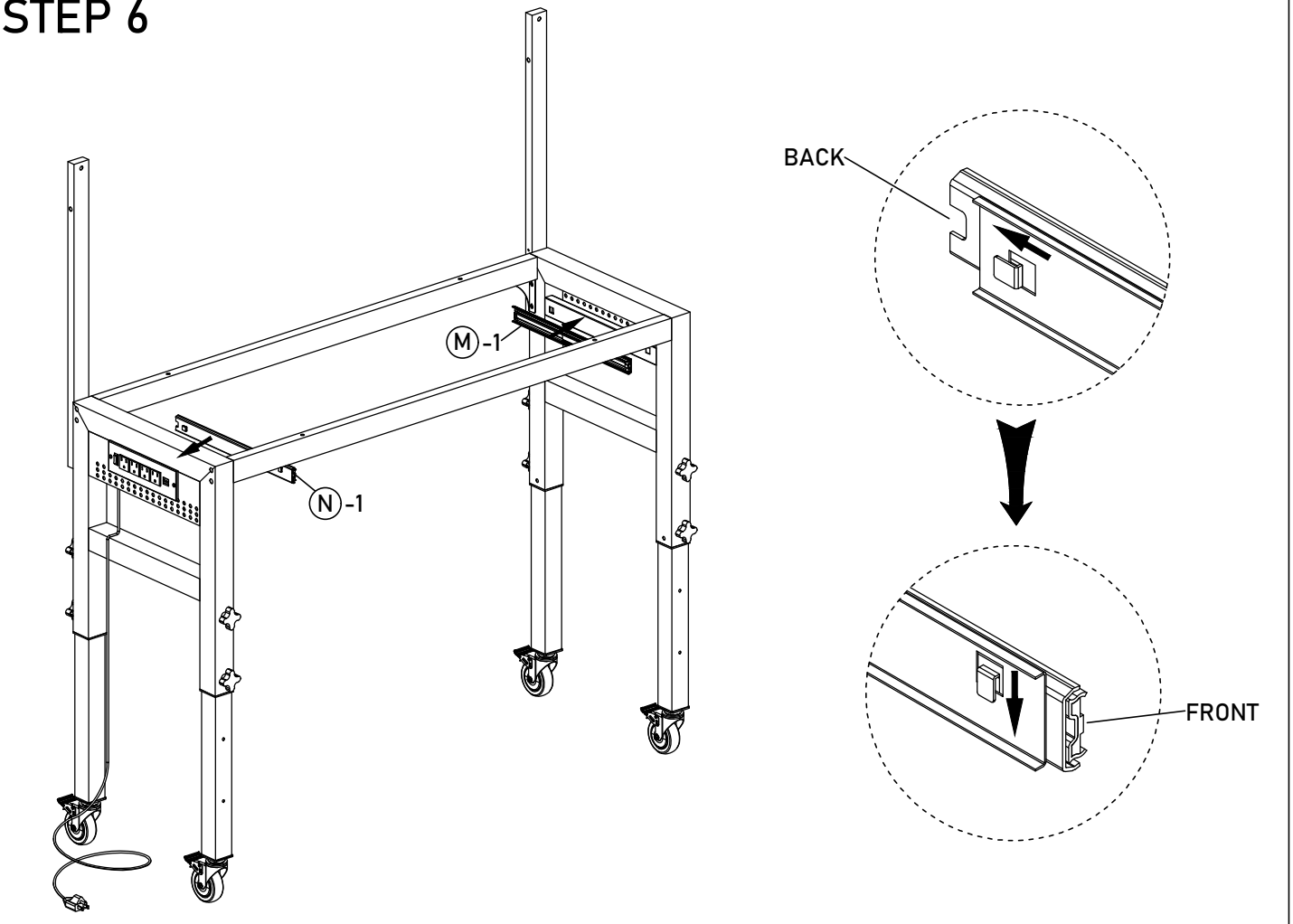


| | | | |
|------------|----|--------|----|
| (D) | x8 | (E) | x1 |
| M4x8mm | | S4 | |

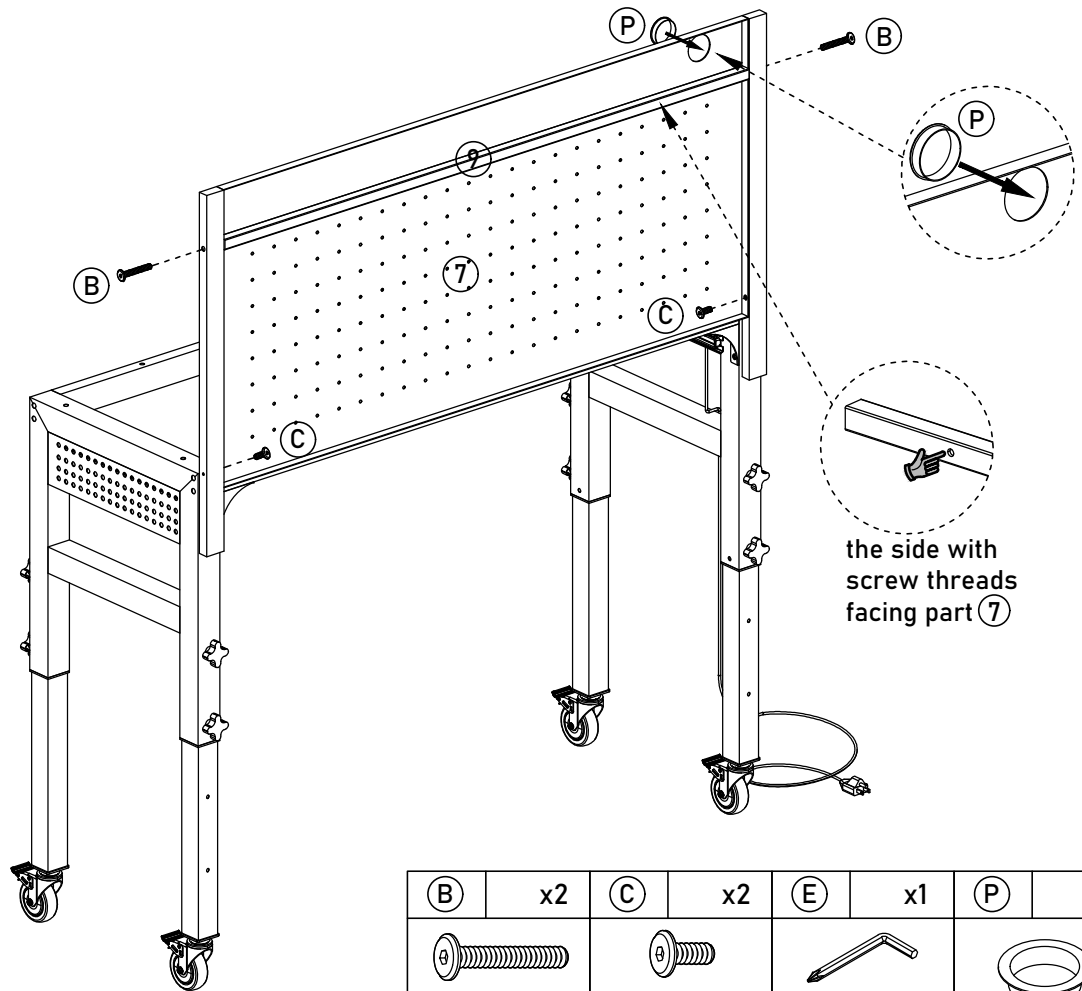
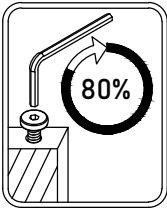
STEP 5



STEP 6

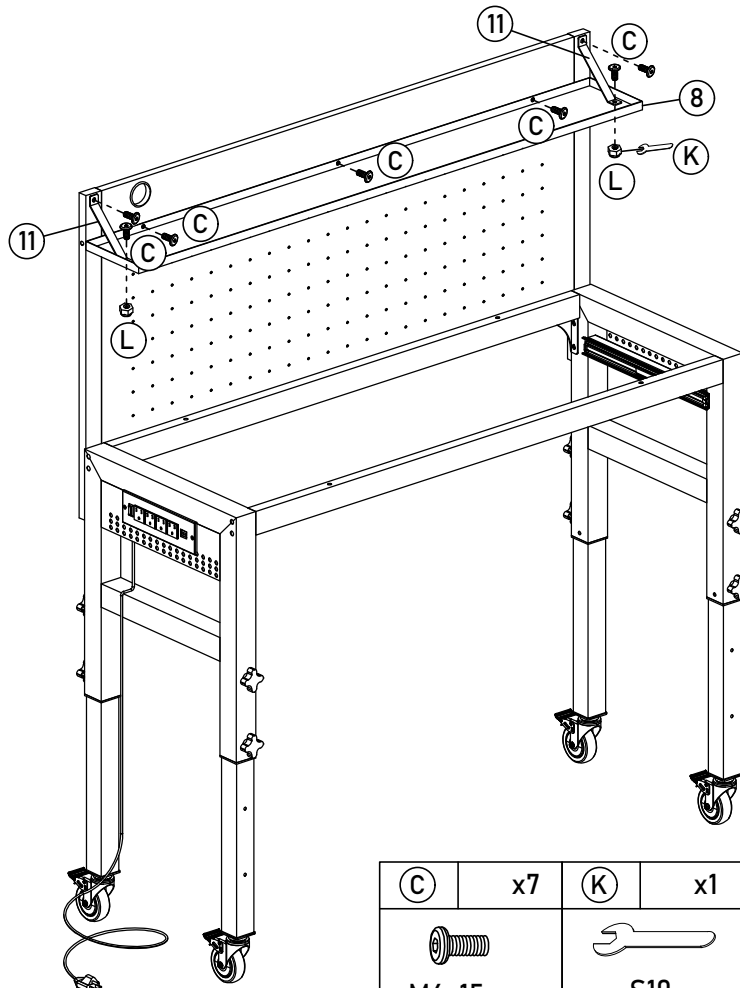
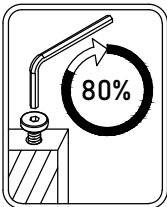


STEP 7



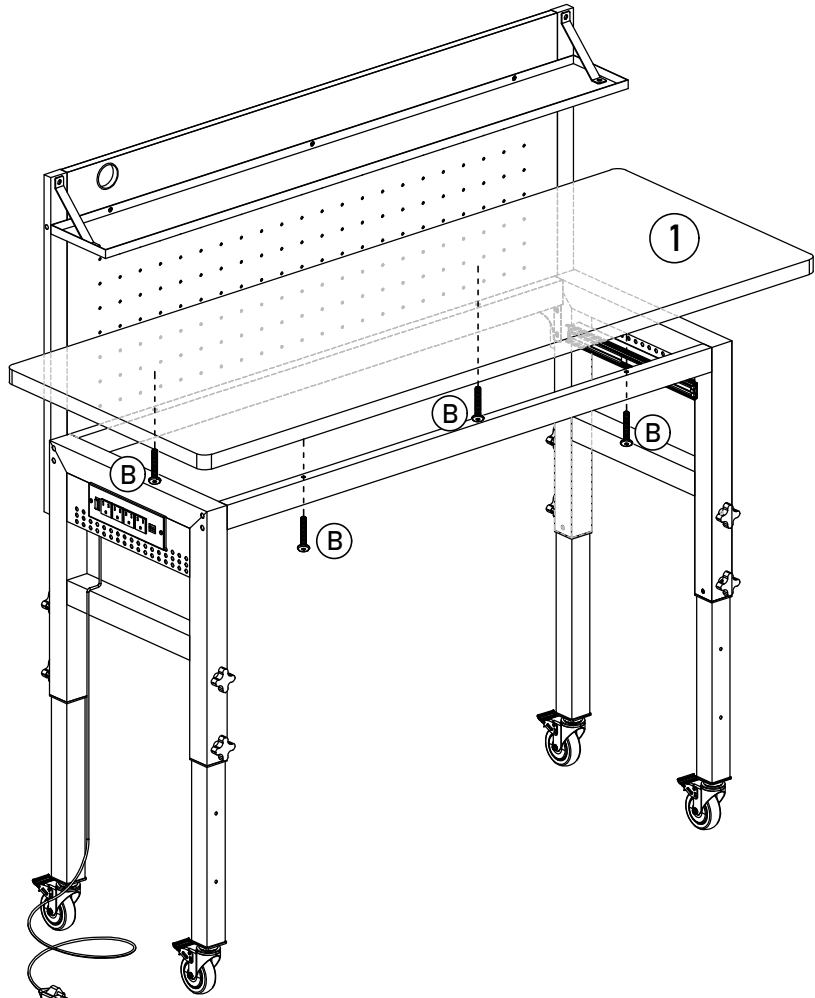
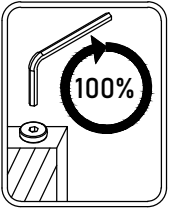
| | | | | | | | |
|---------|----|---------|----|-----|----|-----|----|
| (B) | x2 | (C) | x2 | (E) | x1 | (P) | x1 |
| | | | | | | | |
| M6x60mm | | M6x15mm | | S4 | | | |



STEP 8



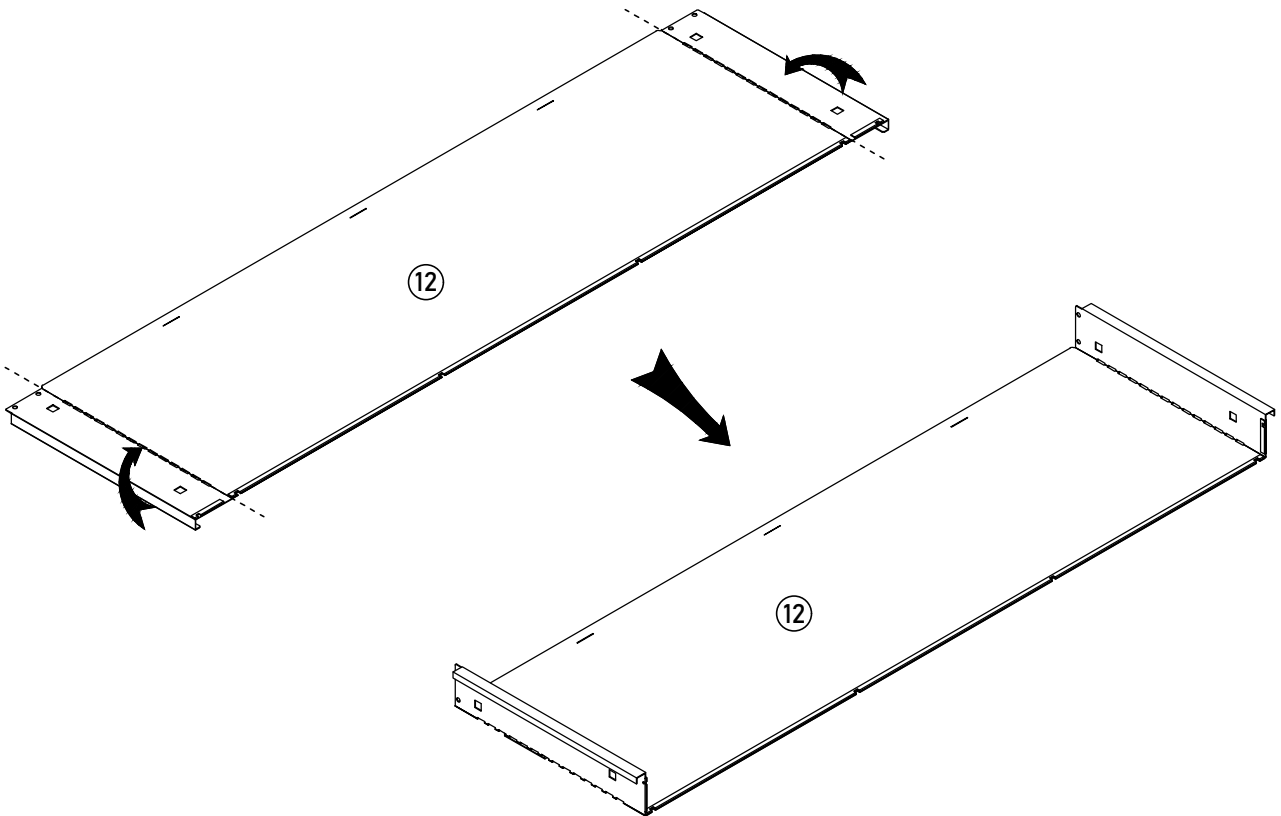
| | | | | | | | |
|---------|----|-----|----|-----|----|-----|----|
| (C) | x7 | (K) | x1 | (L) | x2 | (E) | x1 |
| | | | | | | | |
| M6x15mm | | S10 | | M6 | | S4 | |

STEP 9

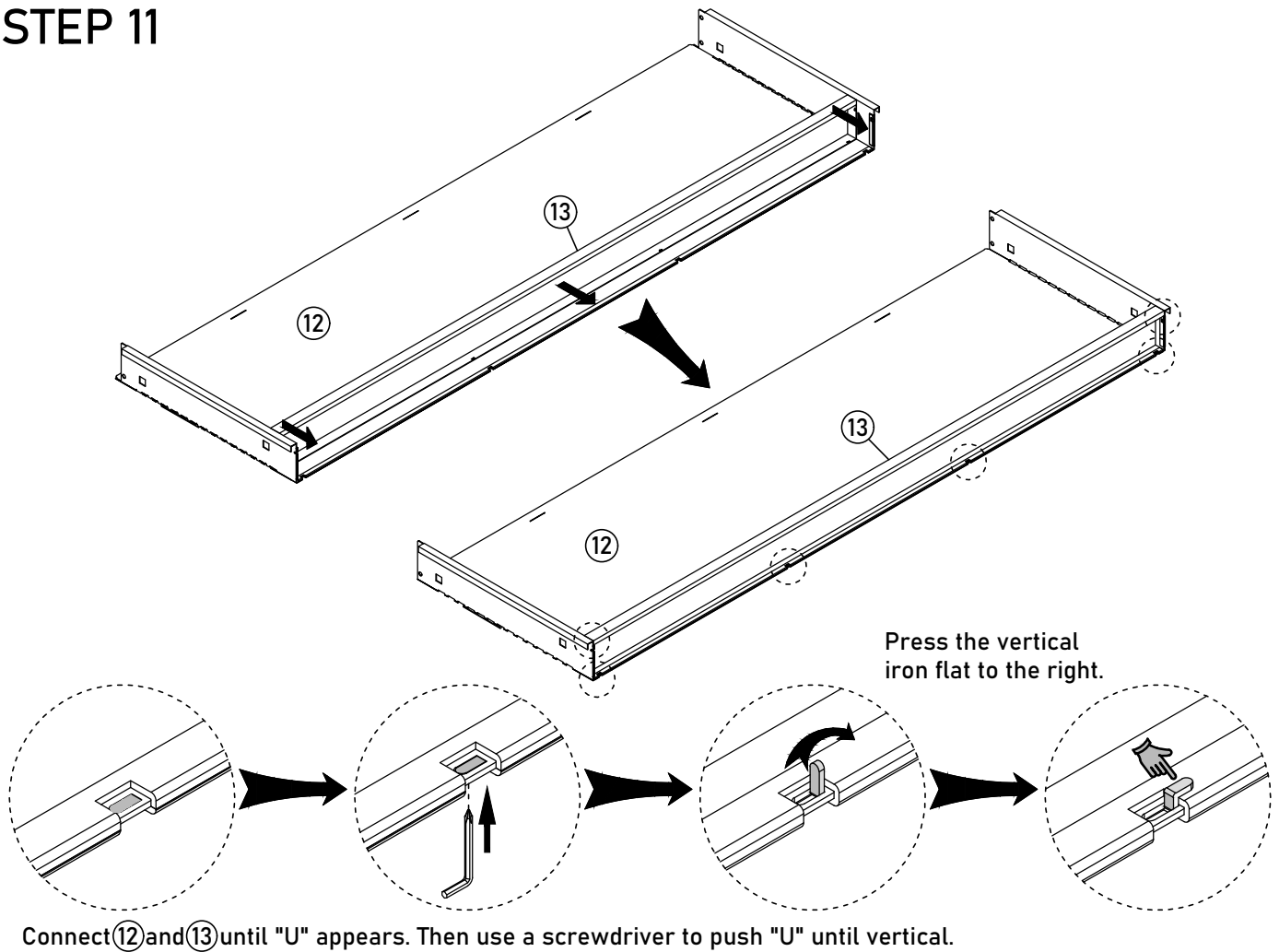


| | | | |
|--|---------|---|----|
| (B) | x4 | (E) | x1 |
|  | M6x60mm |  | S4 |

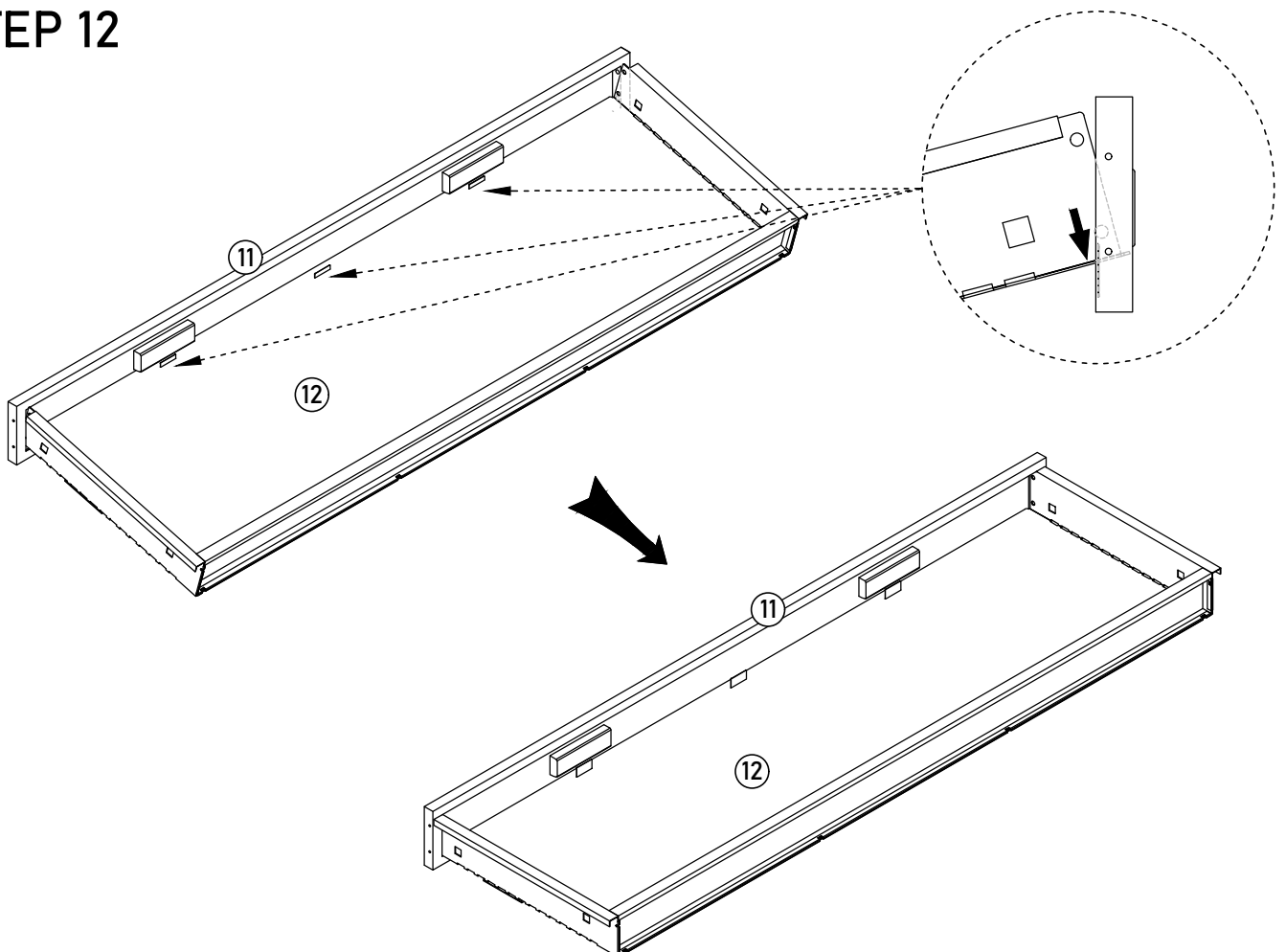
STEP 10



STEP 11

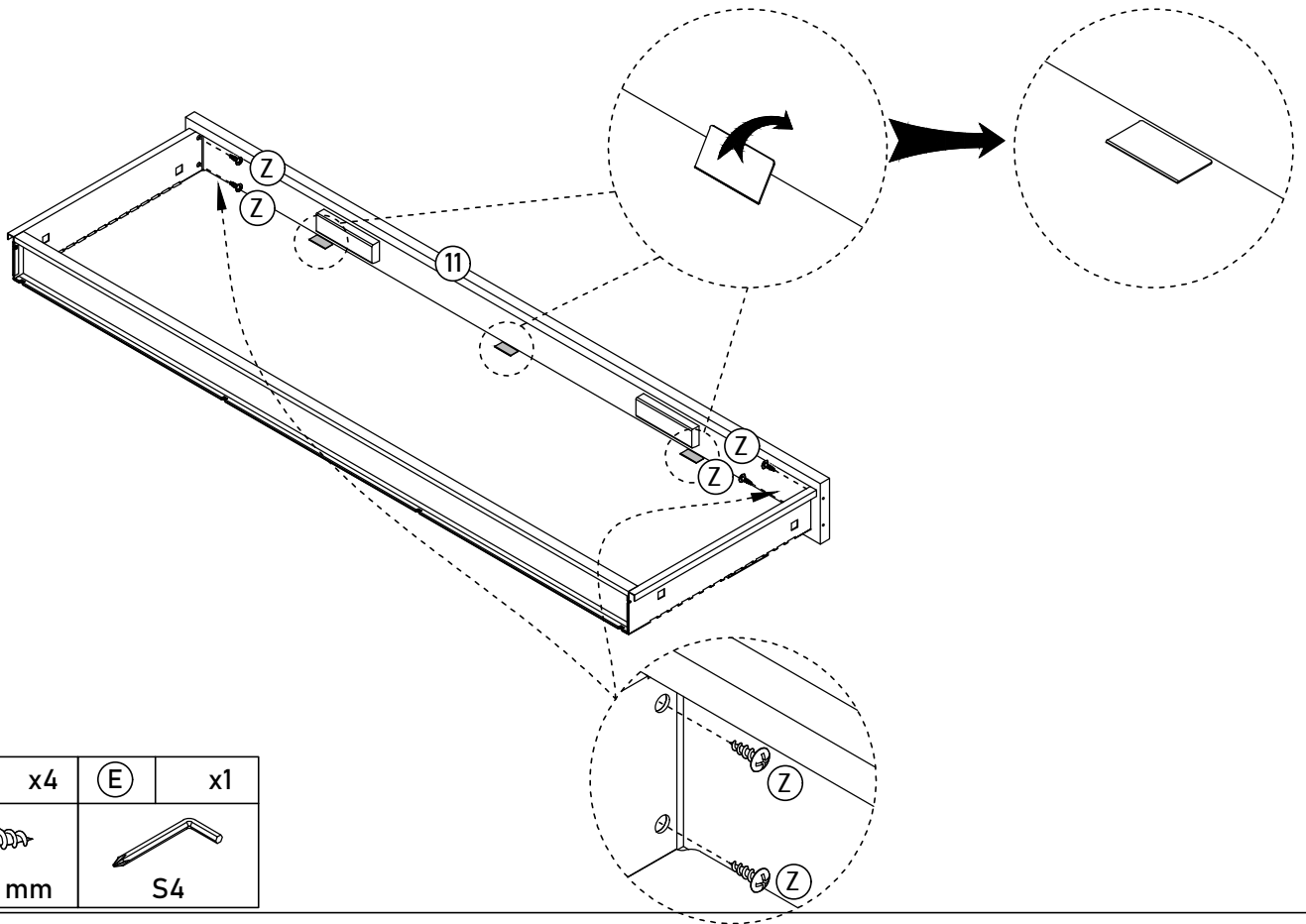




STEP 12



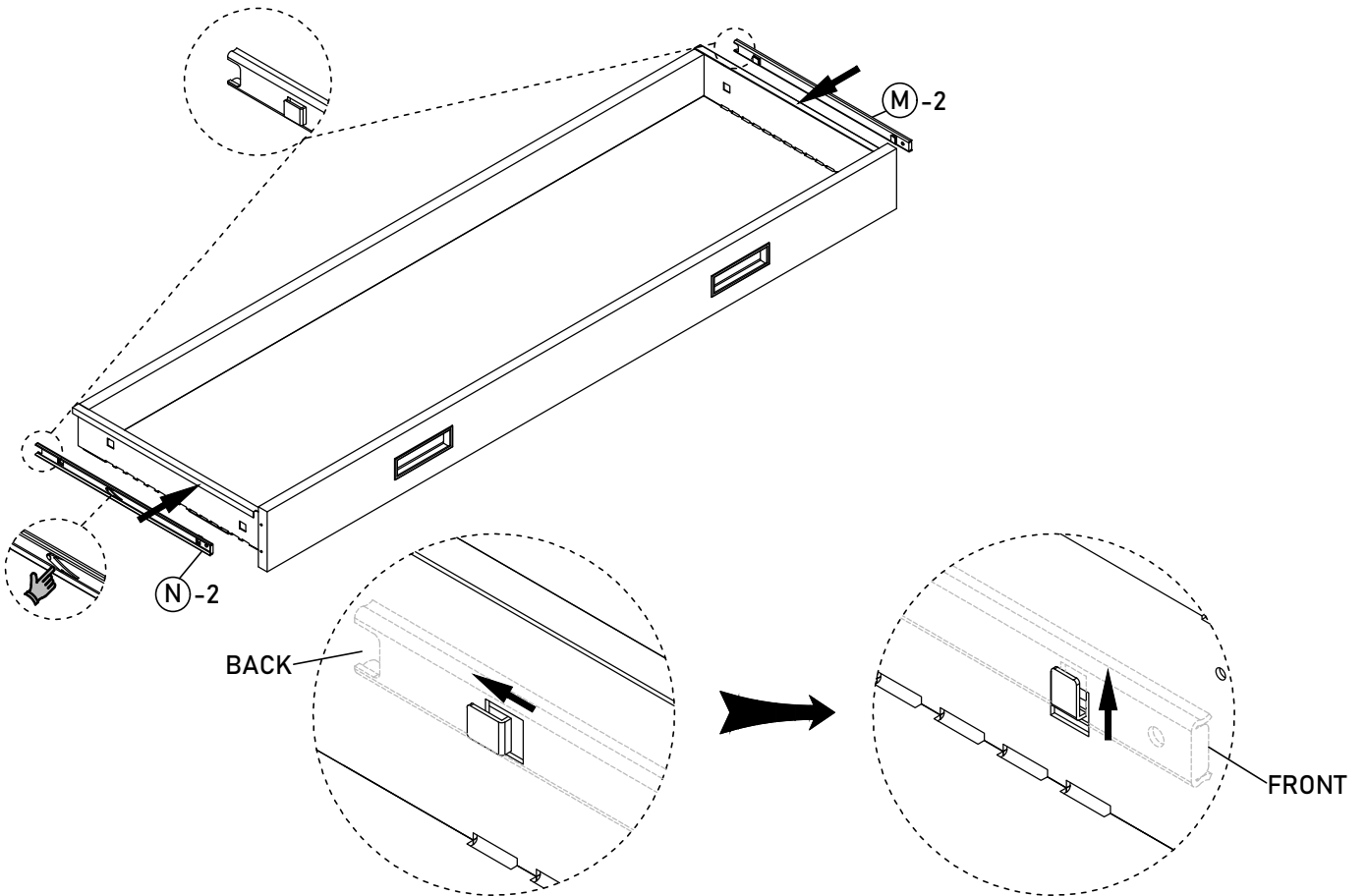
STEP 13

Press the iron sheet flat .

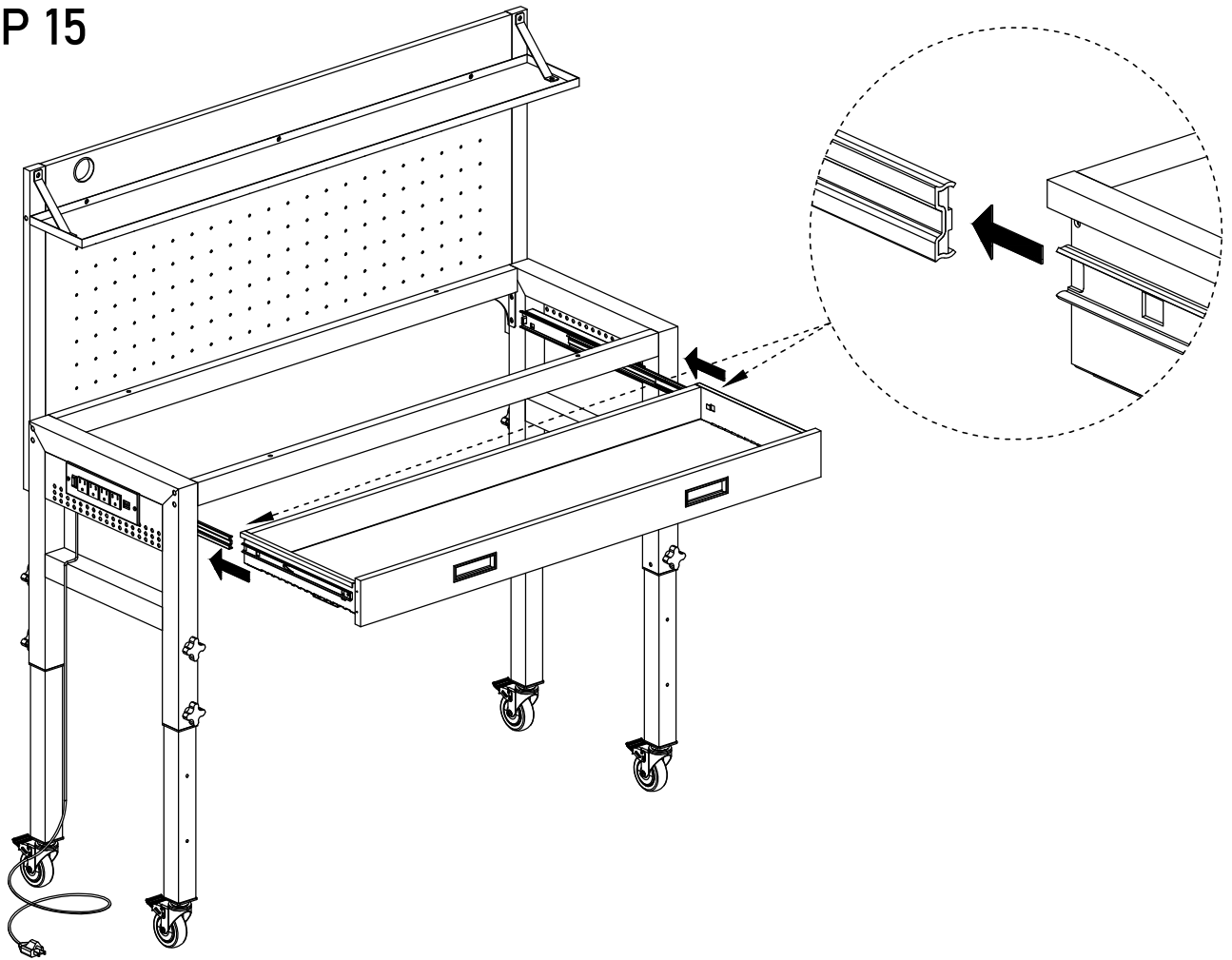


| | | | |
|--|----|--|----|
| (Z) | x4 | (E) | x1 |
|  | |  | |
| Ø4x mm | | S4 | |

STEP 14



STEP 15



STEP 16

