


ASSEMBLY INSTRUCTIONS & PARTS IDENTIFICATION

URBAN ICON WHITE 32" FIREPLACE

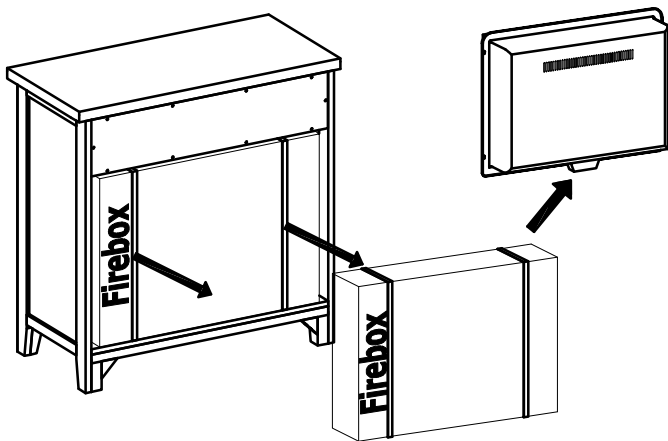
WHITE

Thank you for purchasing this quality product. Be sure to check all packing material carefully for small parts that may have come loose inside the carton during shipment.

KEY COMPONENTS				HARDWARE KIT			
No.	Code	Q'ty	Description	No.	Description	M4x15	Q'ty
1	A	2 Pcs	Drawer pull w/ screw	6	 Wood screws	M4x15	4 Pcs
2	B	1 Pc	Drawer	This hardware bag is inside firebox carton.			
3	C	2 Pcs	Extension drawer glide				
4	D	4 Pcs	Floor glide				
5	E	1 Kit	Anti-tip kit				

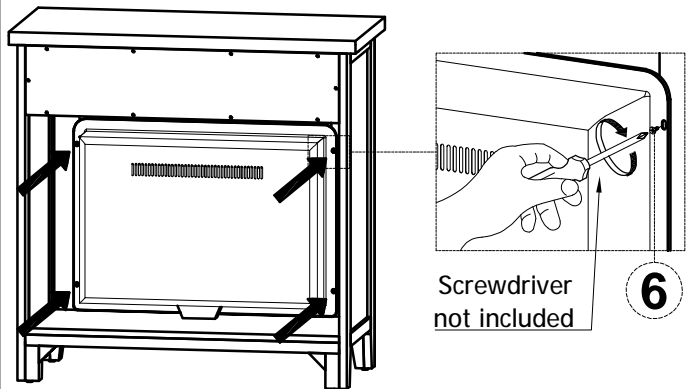
Step 1:

Carefully slide the Firebox insert carton out of the console from the back. Remove the Firebox insert from the carton and place on a clean, protected surface.



Step 2:

Insert the Firebox into the back of the cabinet. Use care not to scratch the wood. Check the alignment to make sure the Firebox is centered. Secure the Firebox by attaching the four screws to the console with a screwdriver.



Step 3:

Install the Anti-Tip Hardware to avoid the possibility of the furniture tipping and injury.

