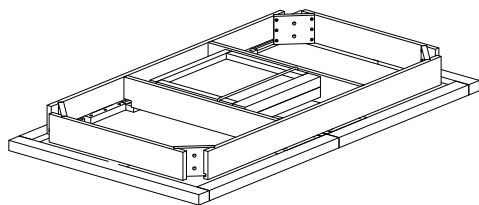
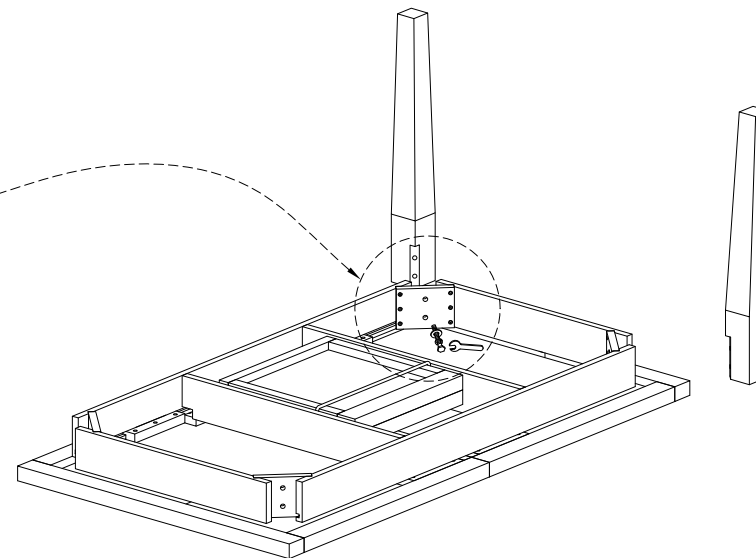
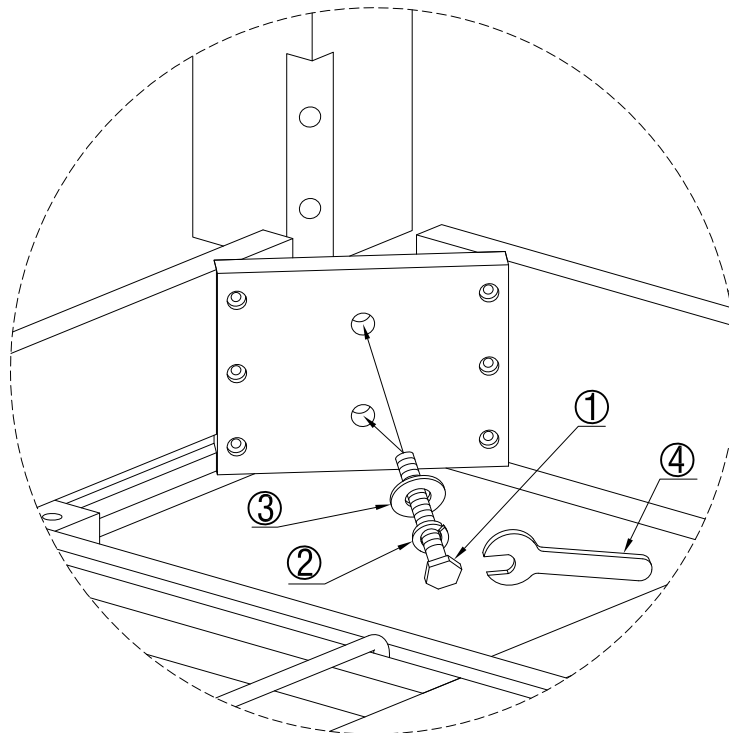


ASSEMBLY INSTRUCTION TABLE


A = 1pc



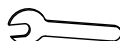
B = 04pcs



①  M10 x 60 = 8pcs

②  1.5mm x Ø10 = 8PCS

③  1.5mm x Ø10,23 = 8PCS

④  4 x 30 x 60 = 1pc

